



US00D406762S

**United States Patent** [19]  
**Durliat**

[11] **Patent Number: Des. 406,762**

[45] **Date of Patent: \*\*Mar. 16, 1999**

[54] **TRIGGER PUMP DISPENSER SHROUD**

D. 394,009 5/1998 Foster et al. .... D9/448  
4,819,835 4/1989 Tasaki ..... 222/383.1  
5,337,921 8/1994 Wilson et al. .... 222/383.1

[75] Inventor: **Leonora M. Durliat**, Toledo, Ohio

[73] Assignee: **Owens-Illinois Closure, Inc.**, Toledo, Ohio

*Primary Examiner*—James Gandy  
*Assistant Examiner*—Cathron B. Matta

[\*\*] Term: **14 Years**

[57] **CLAIM**

[21] Appl. No.: **74,581**

The ornamental design for a trigger pump dispenser shroud, as shown and described.

[22] Filed: **Aug. 6, 1997**

**DESCRIPTION**

[51] **LOC (6) Cl.** ..... **09-07**

[52] **U.S. Cl.** ..... **D9/448**

[58] **Field of Search** ..... D9/447, 448, 449,  
D9/300; D23/213, 223, 224, 225, 226;  
222/207, 383.1–383.3; 239/333

FIG. 1 is a perspective view of a trigger pump dispenser shroud showing my new design;  
FIG. 2 is a right side elevational view;  
FIG. 3 is a top plan view;  
FIG. 4 is a front elevational view;  
FIG. 5 is a rear elevation view; and,  
FIG. 6 is a bottom plan view.

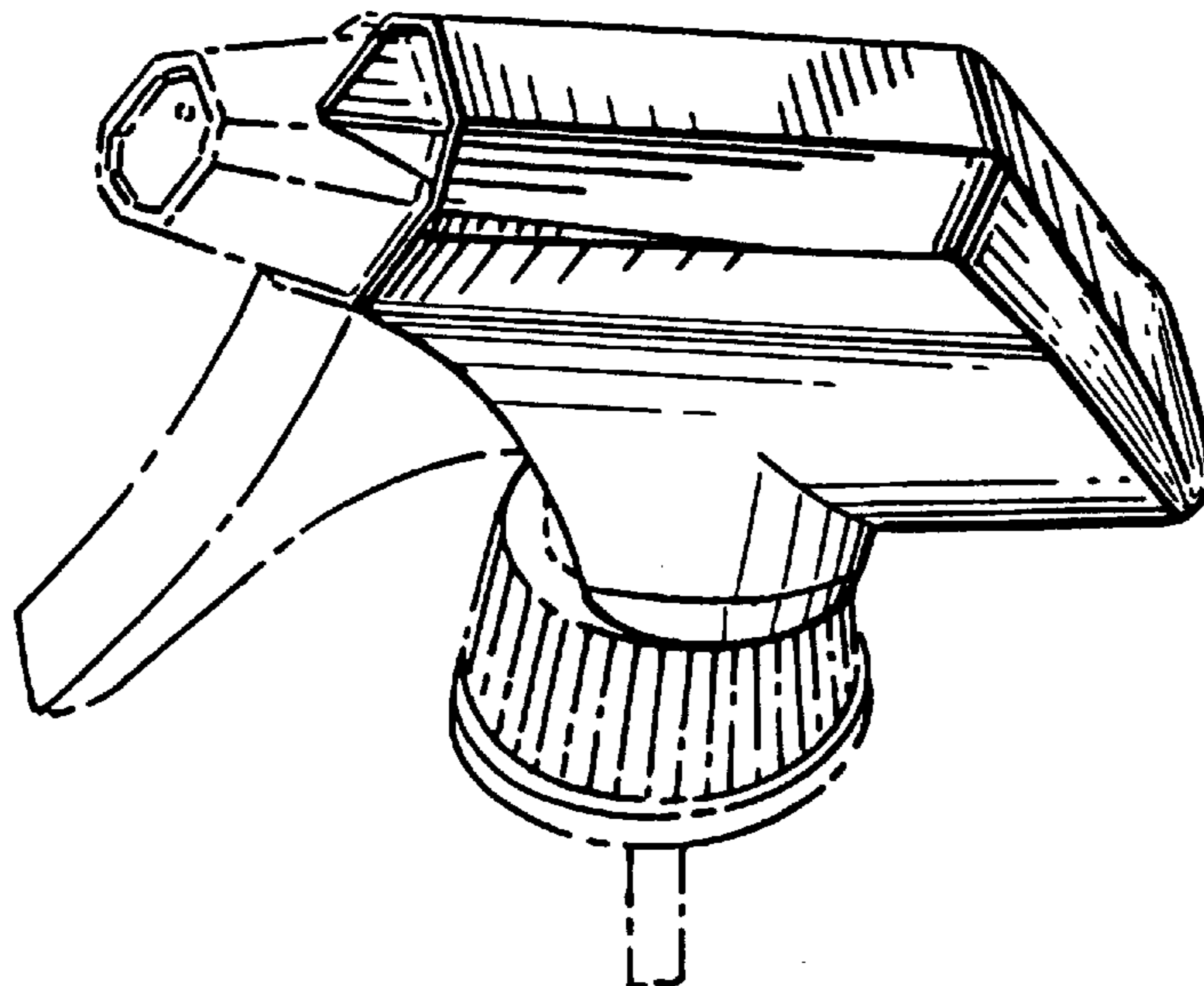
[56] **References Cited**

The left side elevation is a mirror image of the right side elevation.

**U.S. PATENT DOCUMENTS**

D. 352,546 11/1994 Silvenis et al. .... D9/448 X  
D. 377,602 1/1997 Wadsworth ..... D9/448  
D. 394,008 5/1998 Foster et al. .... D9/448

**1 Claim, 2 Drawing Sheets**



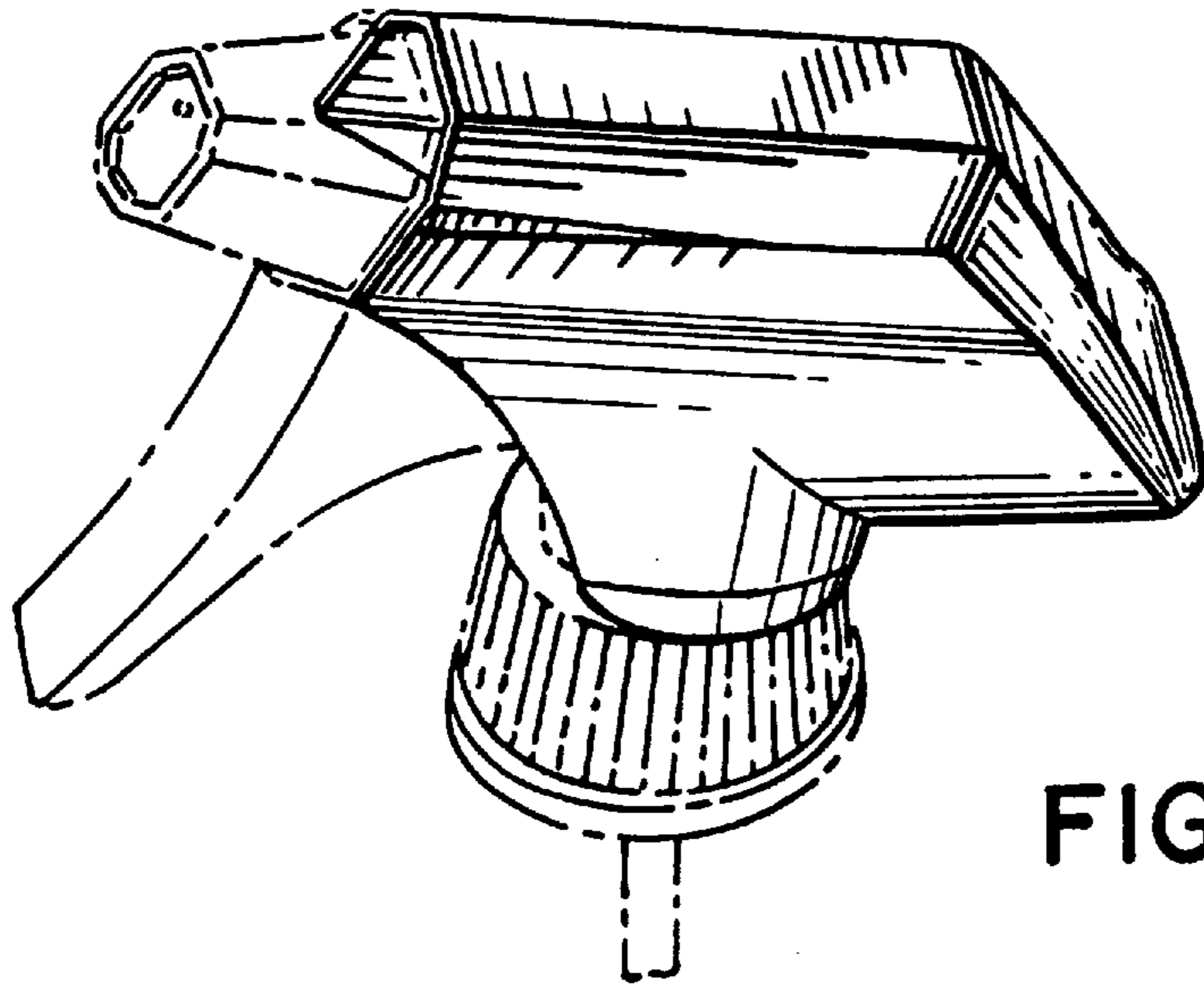


FIG. 1

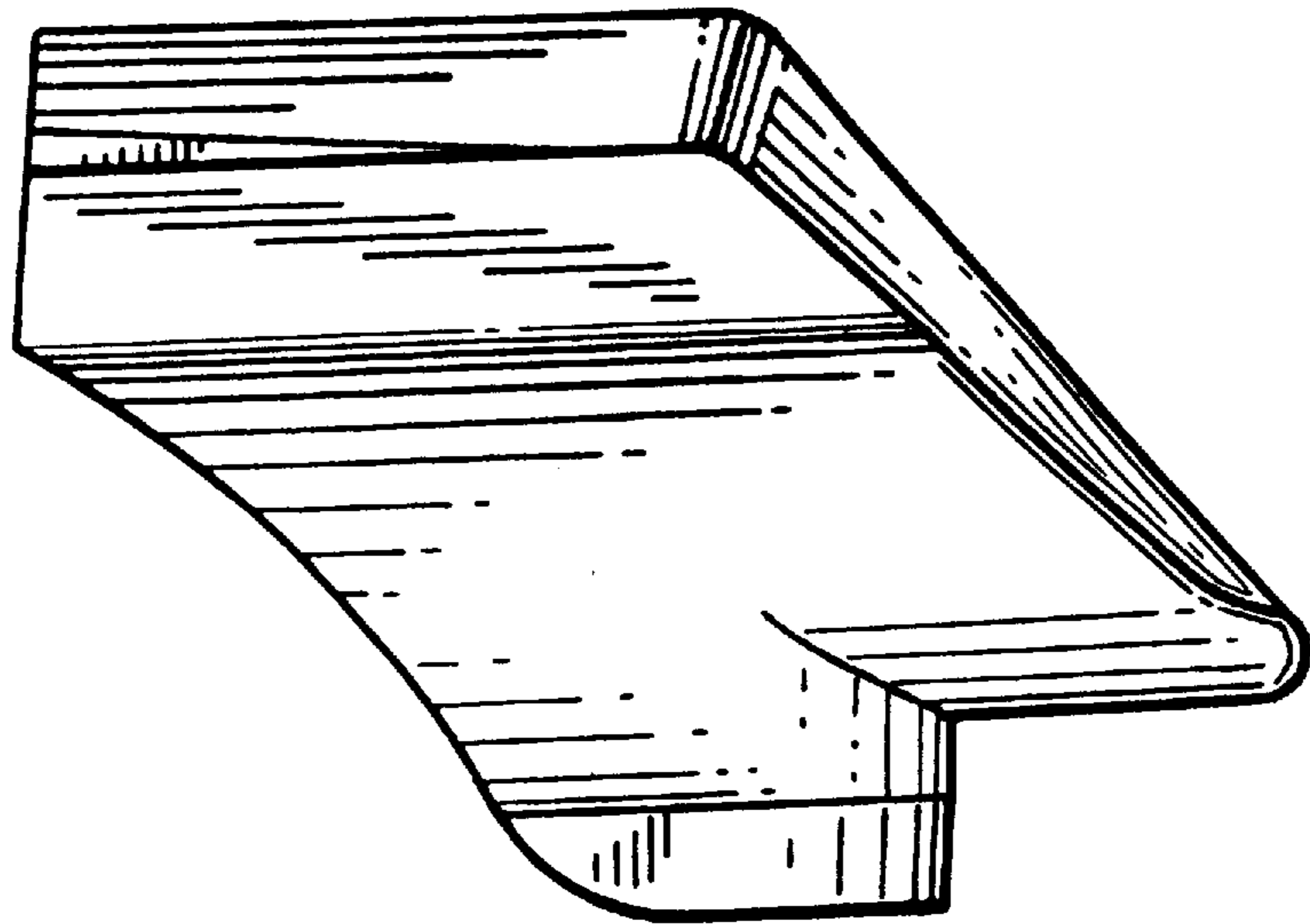


FIG. 2

FIG. 3

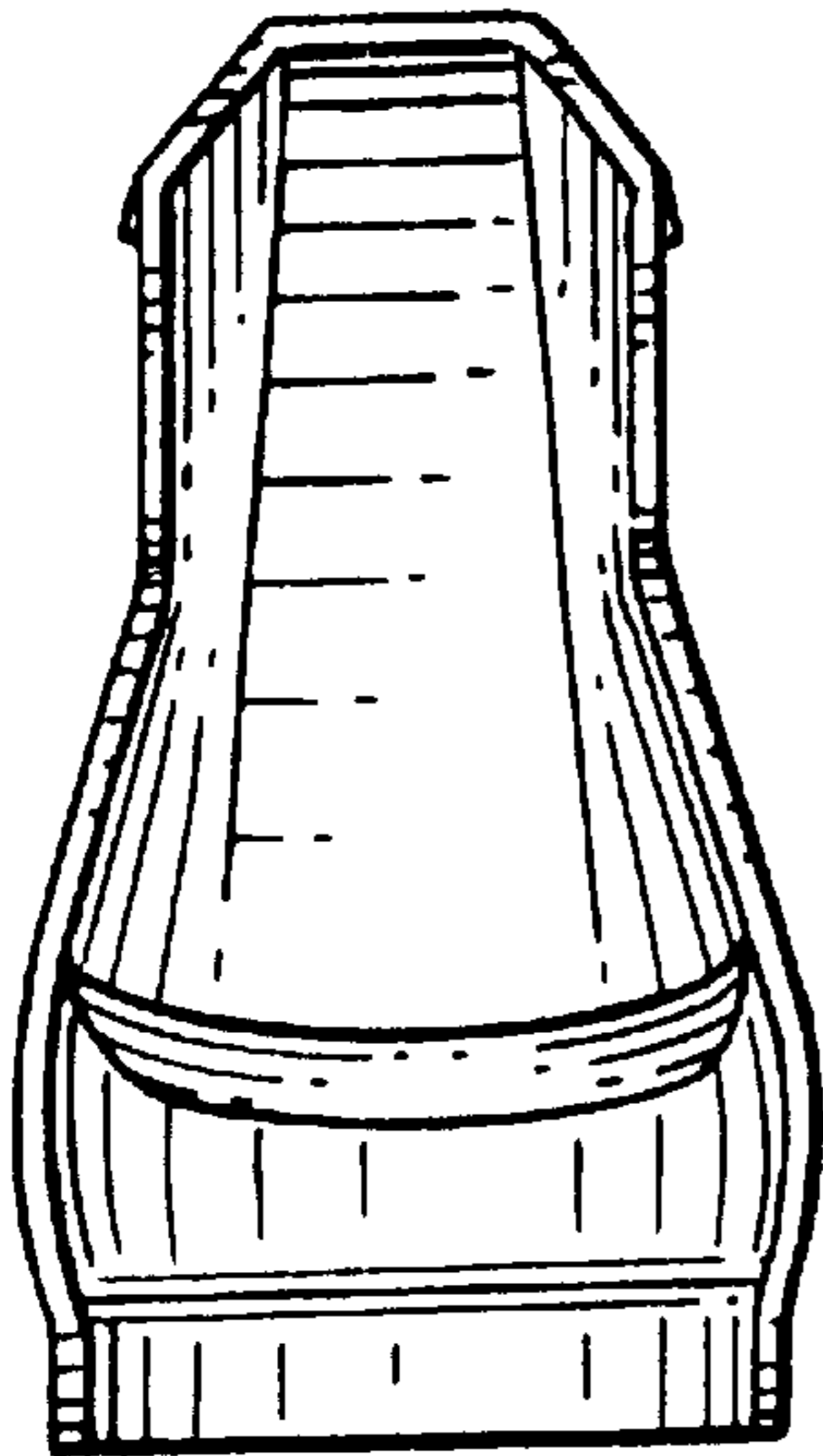
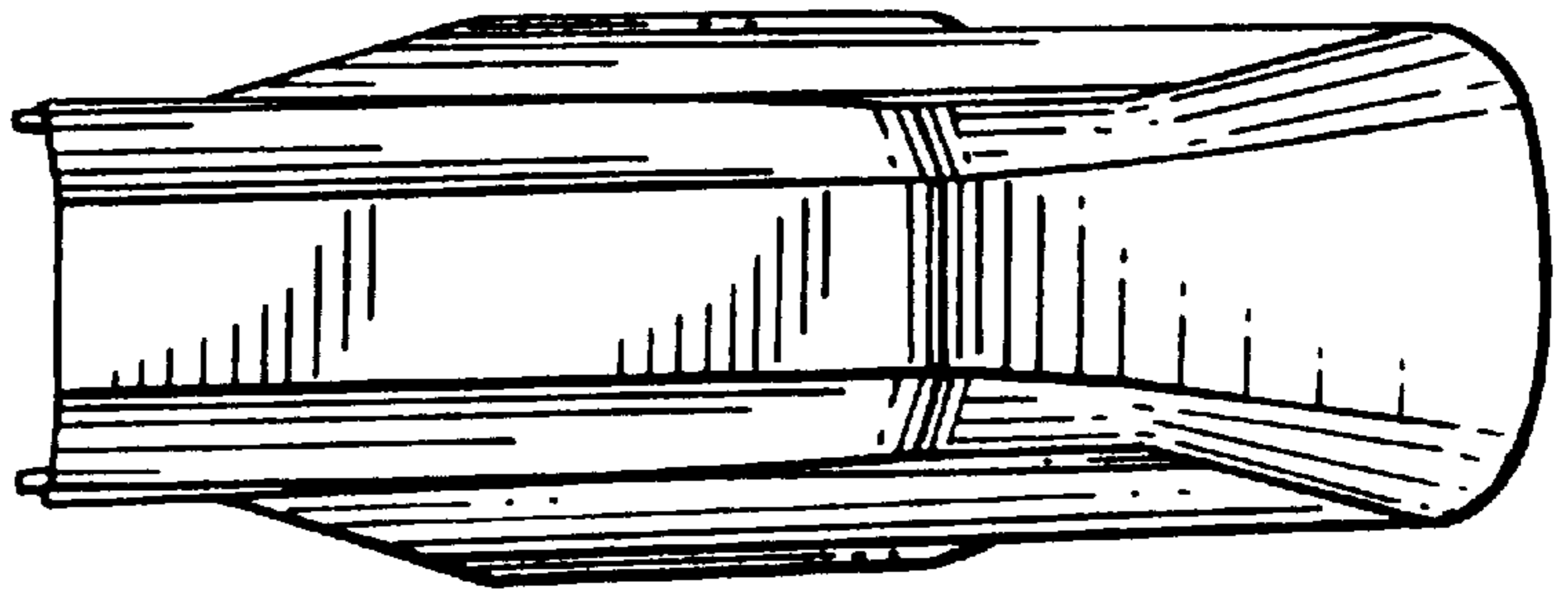


FIG. 4

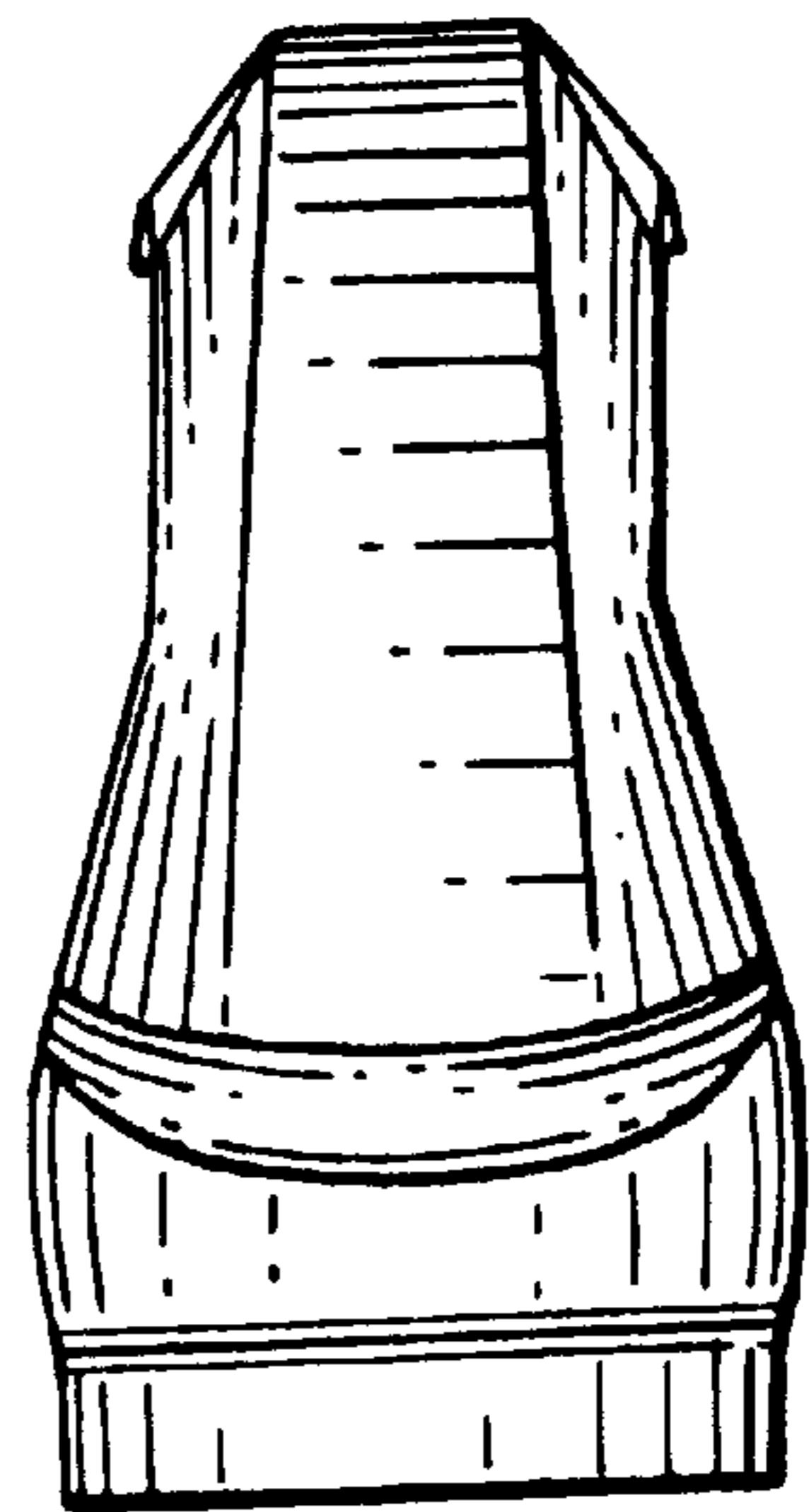


FIG. 5

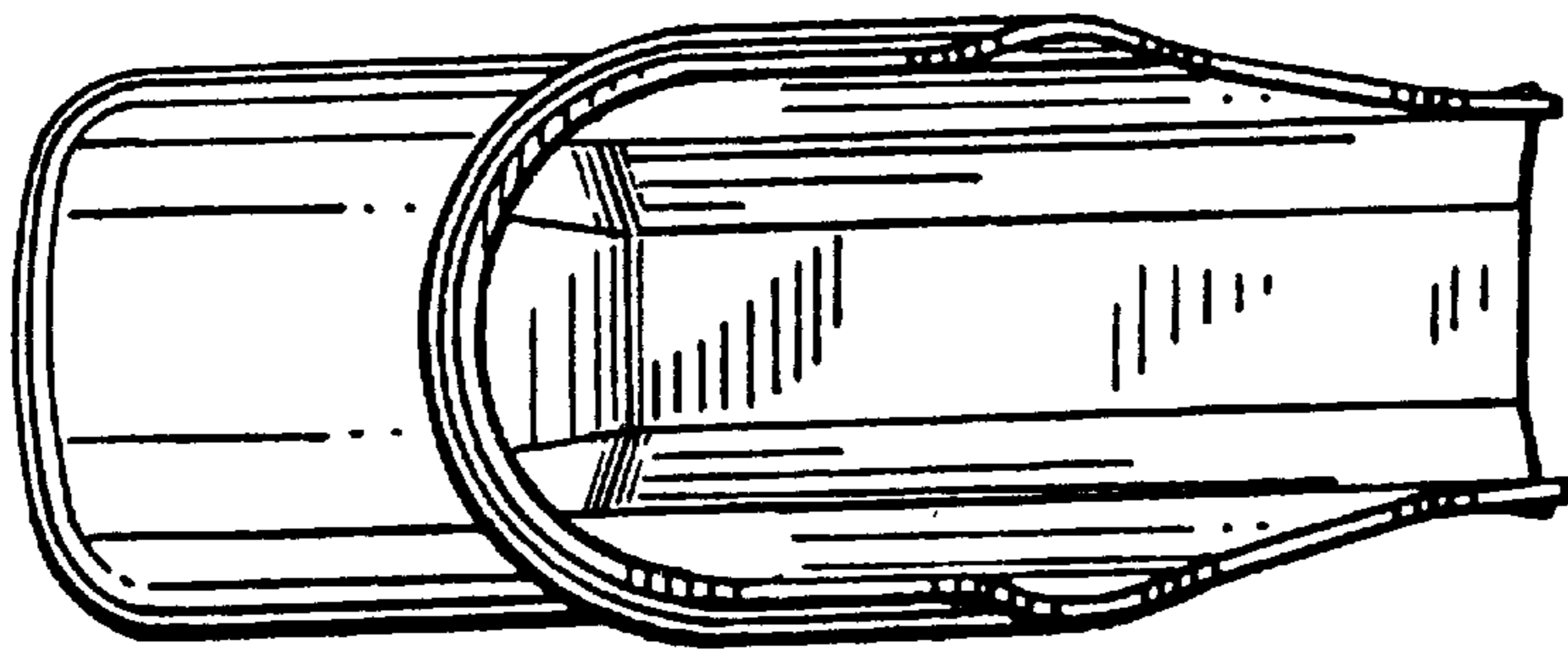


FIG. 6