



US00D406755S

# United States Patent [19] Garganese

[11] **Patent Number: Des. 406,755**

[45] **Date of Patent: \*\*Mar. 16, 1999**

[54] **WATCH BAND PACKAGE**

[76] Inventor: **Richard S. Garganese**, 40 Celestia Ct.,  
N. Kingstown, R.I. 02852

[\*\*] Term: **14 Years**

[21] Appl. No.: **84,873**

[22] Filed: **Mar. 12, 1998**

[51] **LOC (6) Cl. .... 09-07**

[52] **U.S. Cl. .... D9/418; D9/415; D9/423**

[58] **Field of Search .... D9/415, 418, 420-423,  
D9/426, 337; 206/301, 18, 6.1, 581, 823,  
566, 775, 776, 594; D28/83; 224/903; 220/252,  
253**

[56] **References Cited**

**U.S. PATENT DOCUMENTS**

D. 340,409	10/1993	Hirsch	.....	D9/418
D. 340,410	10/1993	Hirsch	.....	D9/418
D. 355,359	2/1995	Herzog	.....	D9/422
D. 368,029	3/1996	Baker	.....	D9/415
D. 369,103	4/1996	Plassier	.....	D9/418

D. 373,725	9/1996	Weil	.....	D4/422
3,910,410	10/1975	Shaw	.....	206/486 X
4,094,409	6/1978	Spranger et al.	.....	206/301 X
5,358,154	10/1994	Ripley et al.	.....	206/301 X
5,383,552	1/1995	D'Kowitz	.....	206/301 X

*Primary Examiner*—Prabhakar G. Deshmukh  
*Attorney, Agent, or Firm*—Barlow & Josephs, Ltd.

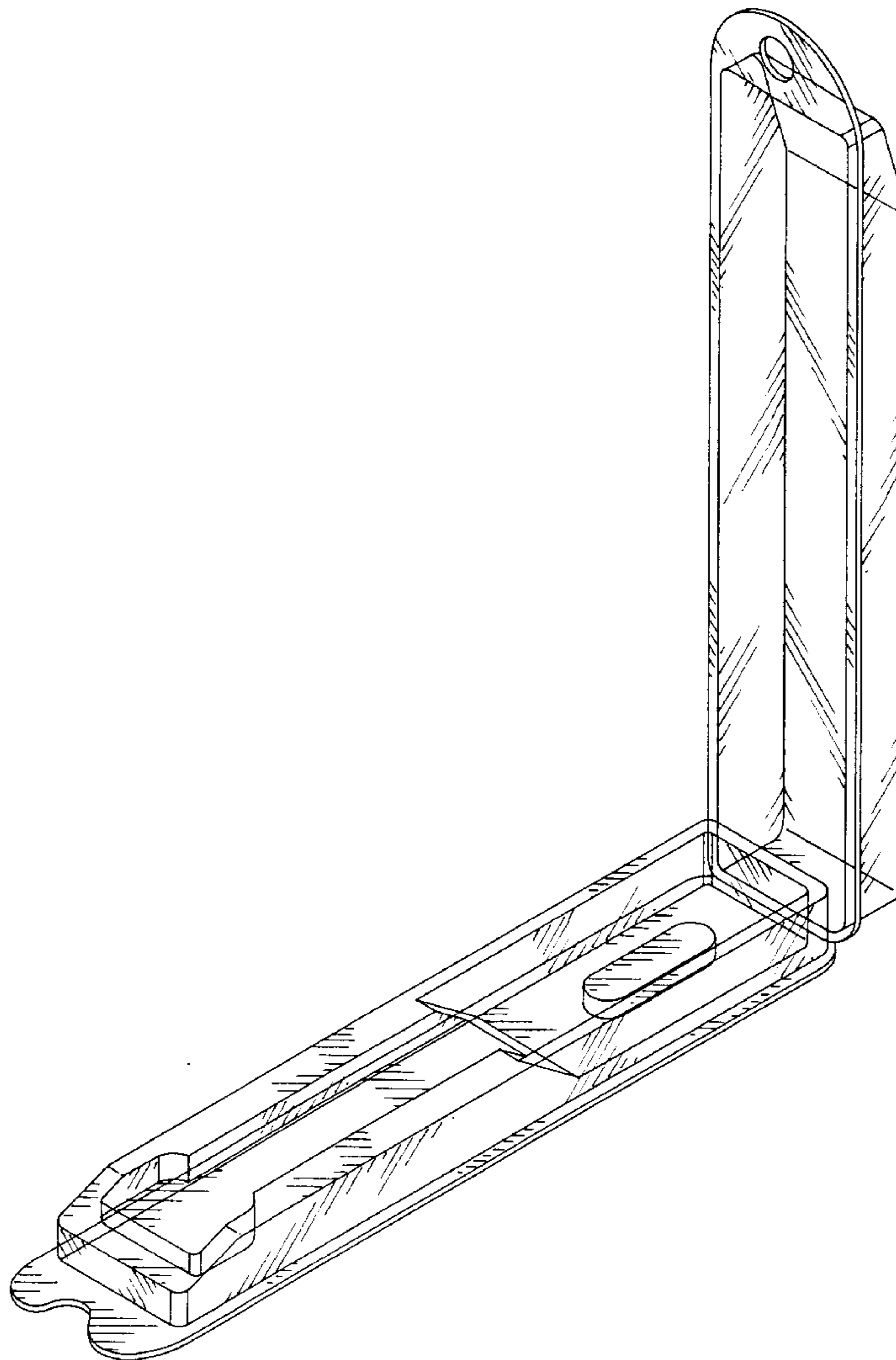
[57] **CLAIM**

The ornamental design for a watch band package, as shown.

**DESCRIPTION**

FIG. 1 is a perspective view of a watch band package showing my new design;  
FIG. 2 is a right side elevational view thereof;  
FIG. 3 is a left side elevational view thereof;  
FIG. 4 is a bottom view thereof;  
FIG. 5 is a top view thereof;  
FIG. 6 is a front view thereof;  
FIG. 7 is a rear view thereof; and,  
FIG. 8 is a perspective view of the watch band package in an open condition.

**1 Claim, 3 Drawing Sheets**



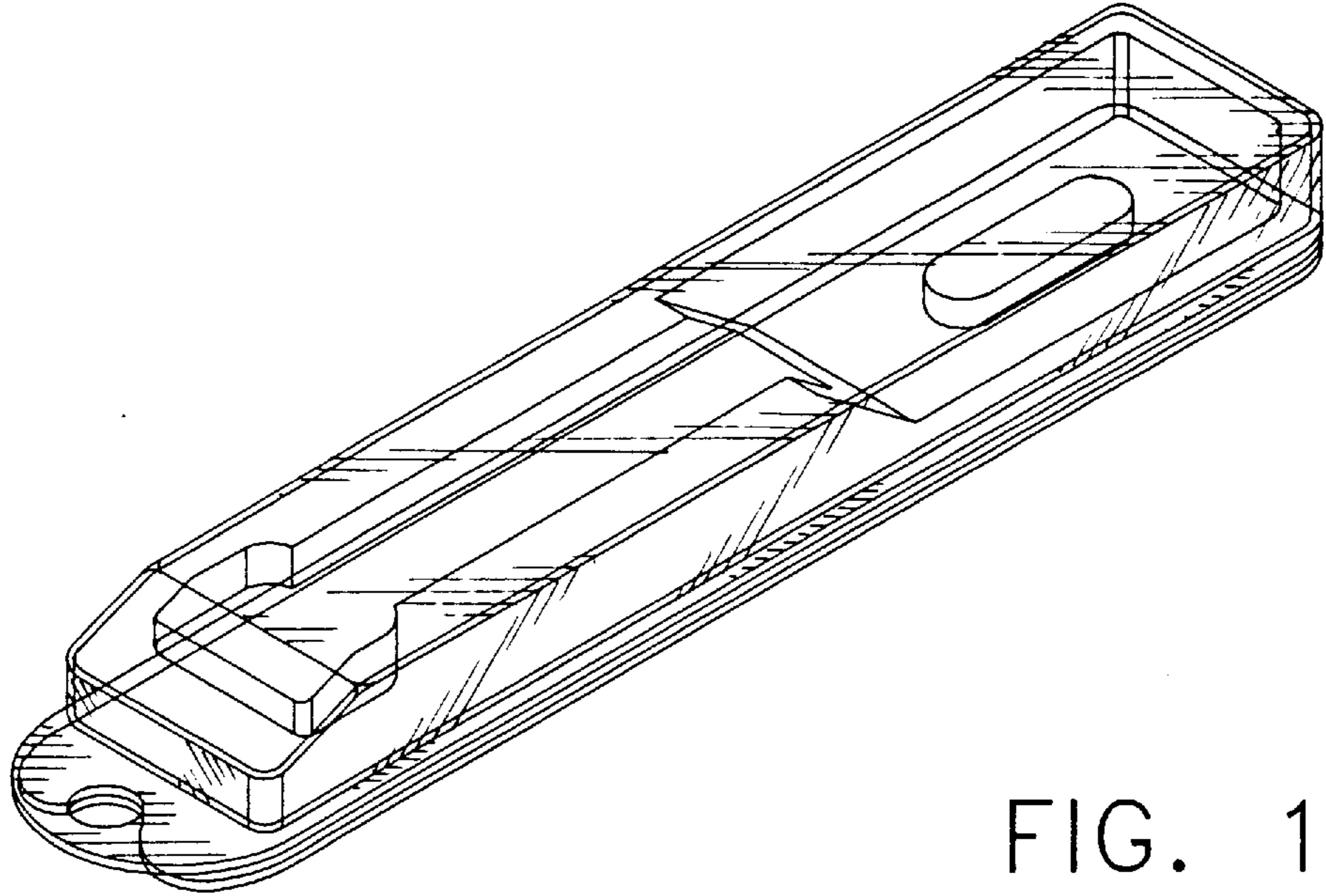


FIG. 1

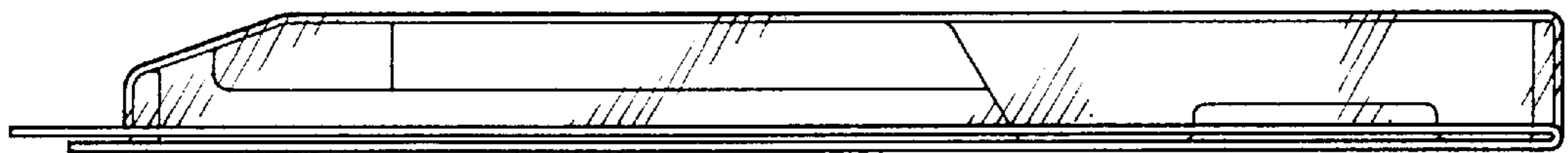


FIG. 2

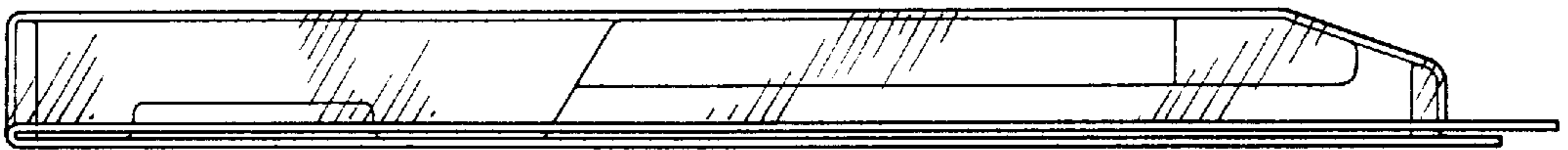


FIG. 3

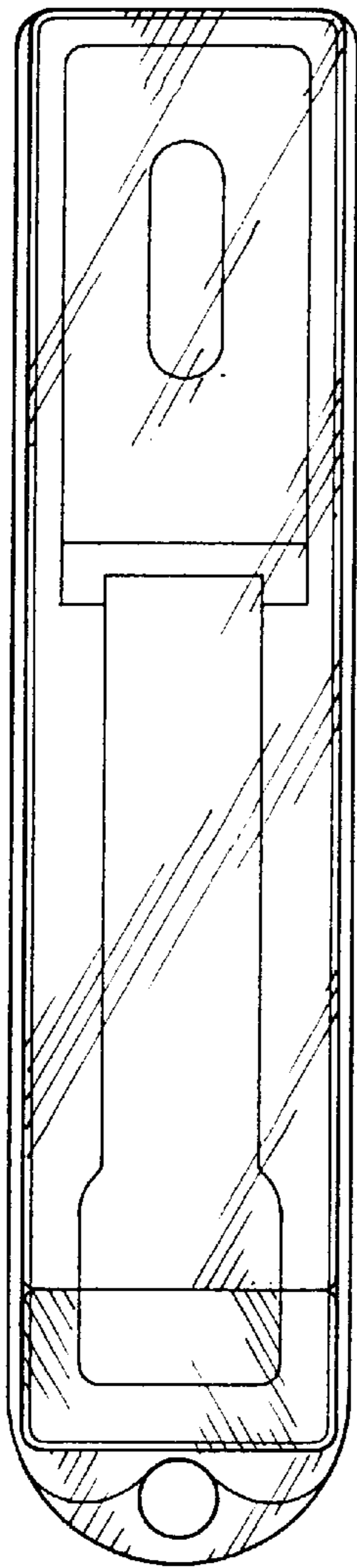


FIG. 4

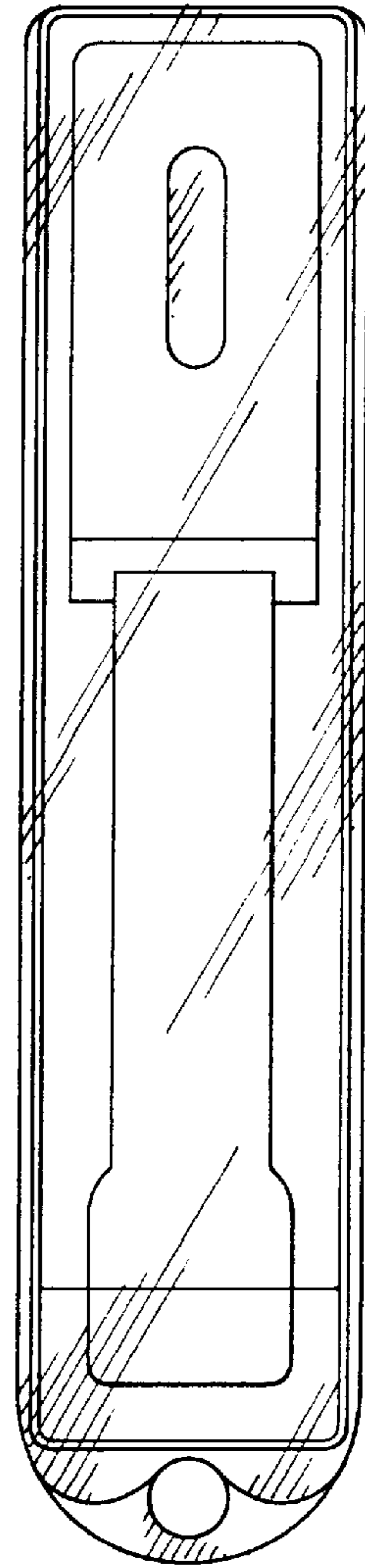


FIG. 5

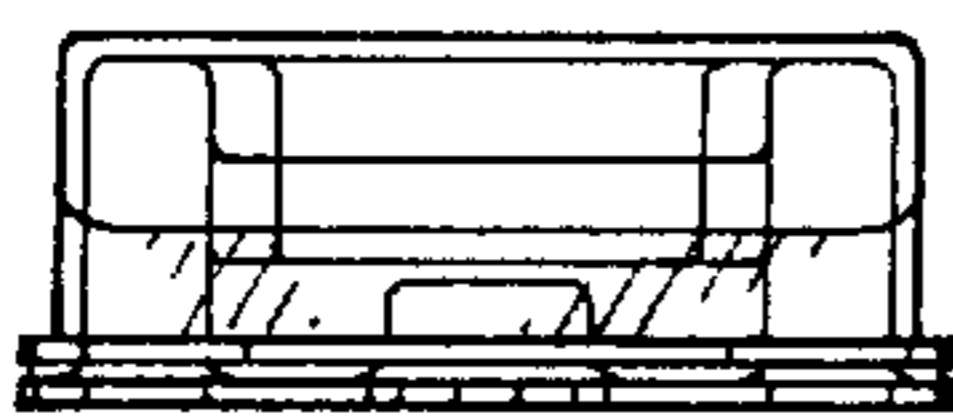


FIG. 6



FIG. 7

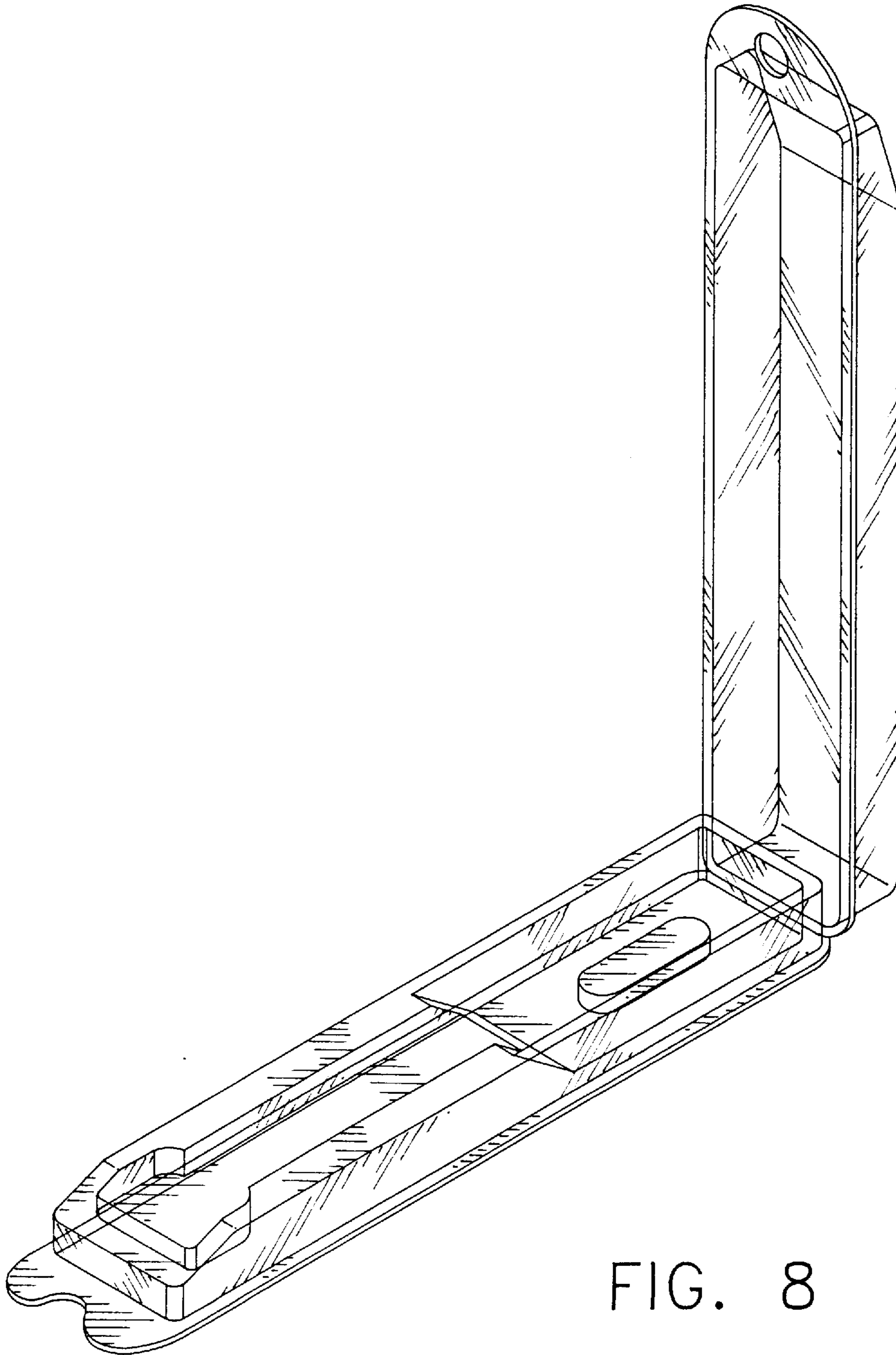


FIG. 8