



US00D406754S

United States Patent [19] Tanabe

[11] **Patent Number: Des. 406,754**

[45] **Date of Patent: **Mar. 16, 1999**

[54] **PACKAGING BOX FOR A CAMERA**

[75] Inventor: **Zenya Tanabe**, Tokyo, Japan

[73] Assignee: **Fuji Photo Film Co., Ltd.**, Kanagawa, Japan

[**] Term: **14 Years**

[21] Appl. No.: **76,936**

[22] Filed: **Sep. 16, 1997**

[30] Foreign Application Priority Data

Mar. 21, 1997 [JP] Japan 9-8132

[51] **LOC (6) Cl.** **09-07**

[52] **U.S. Cl.** **D9/415; D9/418**

[58] **Field of Search** D9/415, 418, 337, D9/432; 206/461-471, 316.1, 316.2, 806, 495, 320, 578; D16/208; 229/162, 122

[56] References Cited

U.S. PATENT DOCUMENTS

D. 319,185	8/1991	Ferrero	D9/415
D. 364,561	11/1995	Chapman et al.	D9/415
D. 369,546	5/1996	Chapman et al.	D9/415
D. 371,068	6/1996	Chapman et al.	D9/415 X
D. 371,069	6/1996	Chapman et al.	D9/415 X
2,894,674	7/1959	Wagaman	229/162 X

3,870,221	3/1975	Zeitter	229/162
3,884,350	5/1975	Johansson	229/122
5,271,552	12/1993	McDonnell	229/162
5,711,424	1/1998	Kiesow	206/316.2
5,738,211	4/1998	Ichino et al.	206/316.2

Primary Examiner—Prabhakar G. Deshmukh
Attorney, Agent, or Firm—Young & Thompson

[57] CLAIM

The ornamental design for a packaging box for a camera, as shown and described.

DESCRIPTION

FIG. 1 is a top, front and side perspective view of a packaging box for a camera, showing my new design;
 FIG. 2 is a front elevational view thereof;
 FIG. 3 is a rear elevational view thereof;
 FIG. 4 is a top plan view thereof;
 FIG. 5 is a bottom plan view thereof;
 FIG. 6 is a side elevational view thereof taken from the left of FIG. 2;
 FIG. 7 is a side elevation view thereof taken from the right of FIG. 2; and,
 FIG. 8 is a perspective view thereof; the broken line showing of camera is for illustrative purpose only and forms no part of the claim.

1 Claim, 4 Drawing Sheets

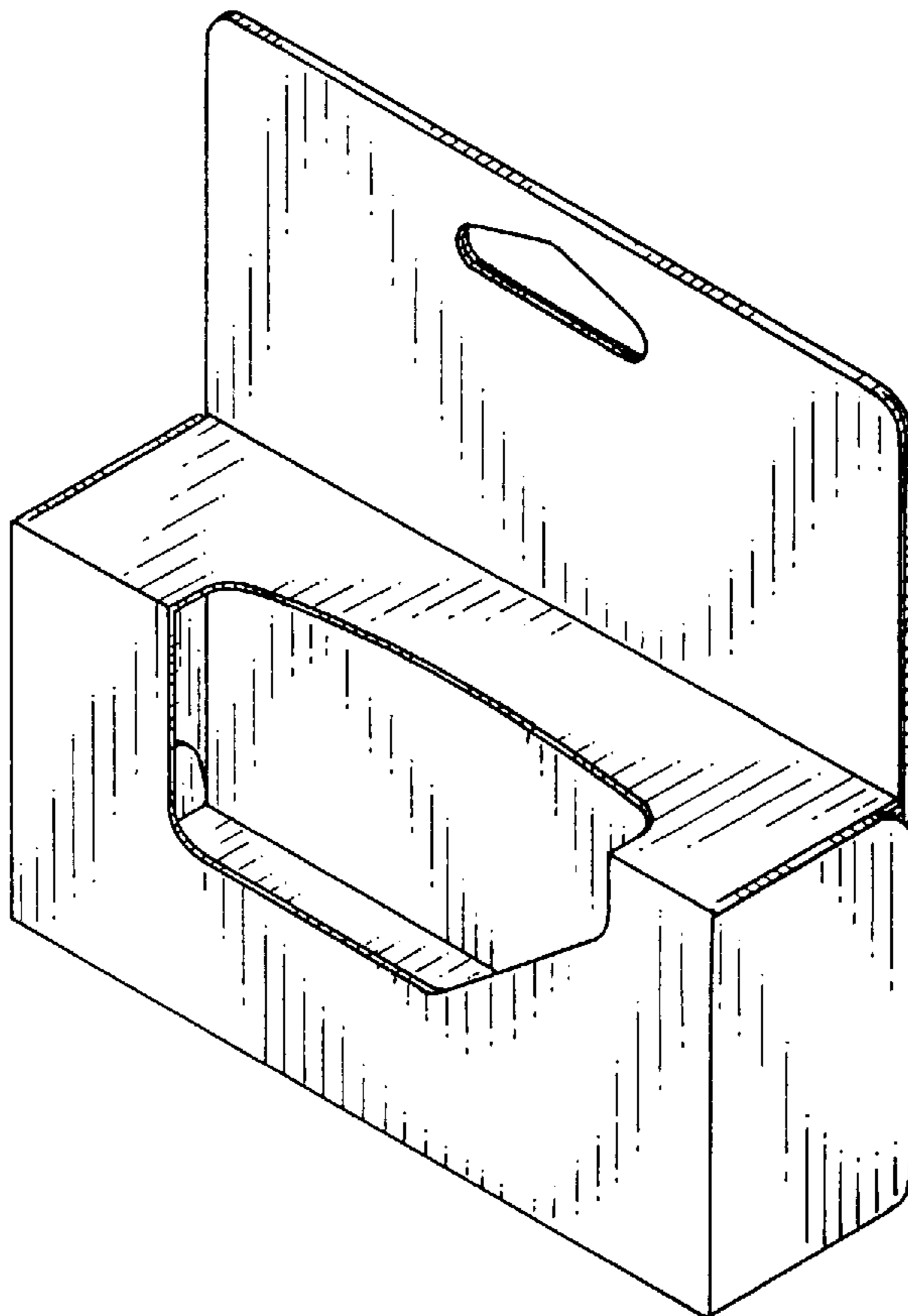


FIG. 1

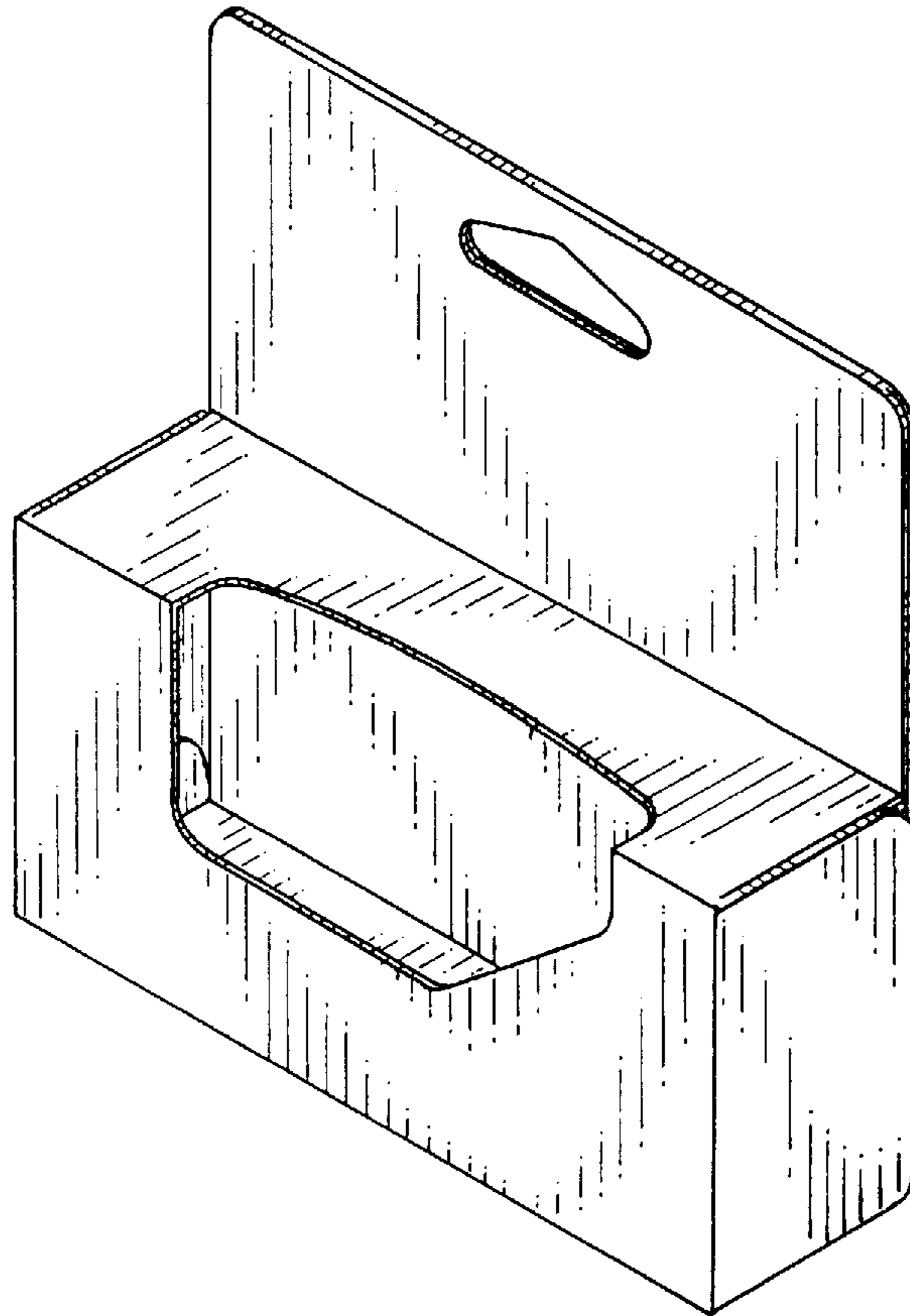


FIG. 2

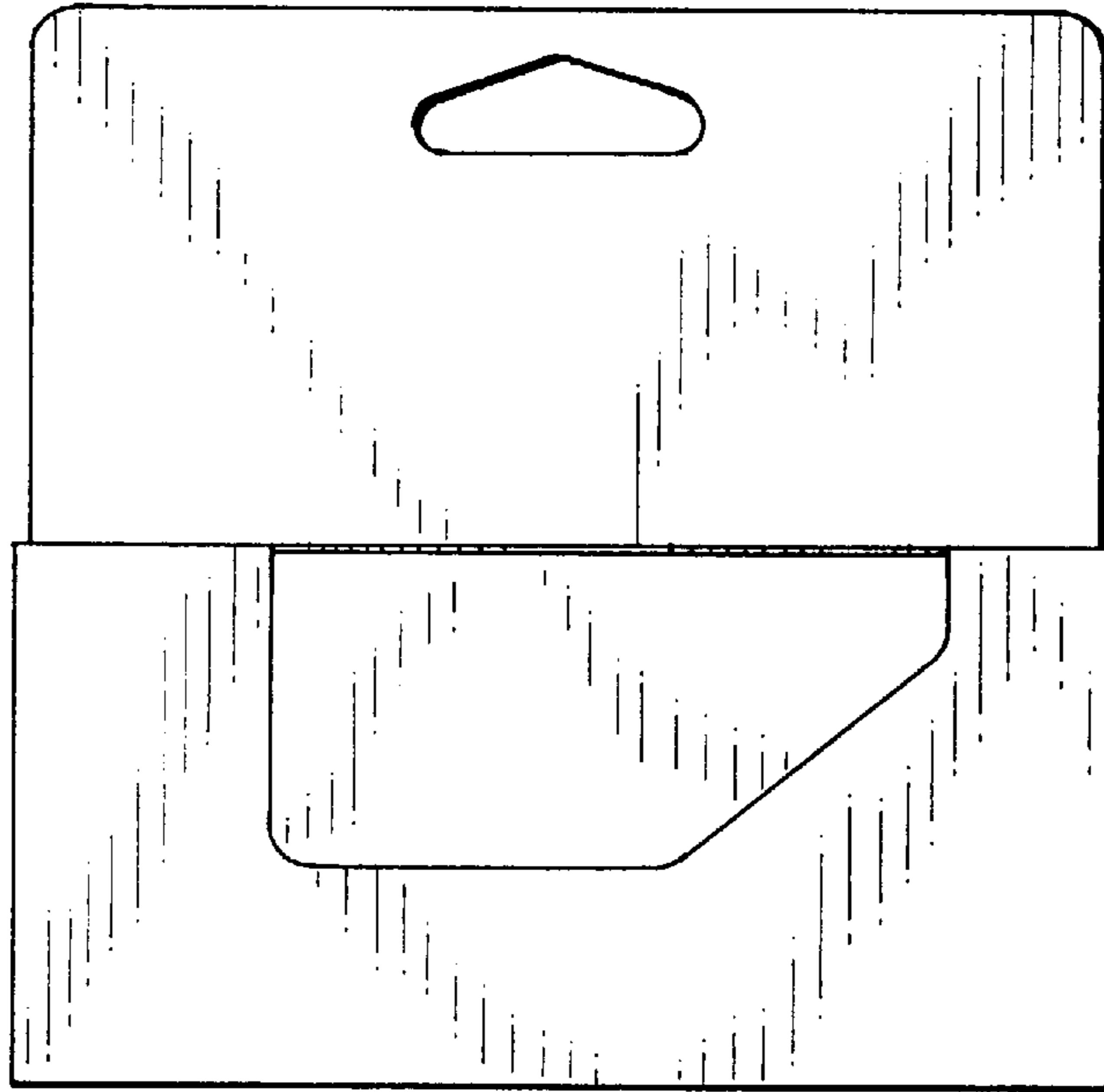


FIG. 3

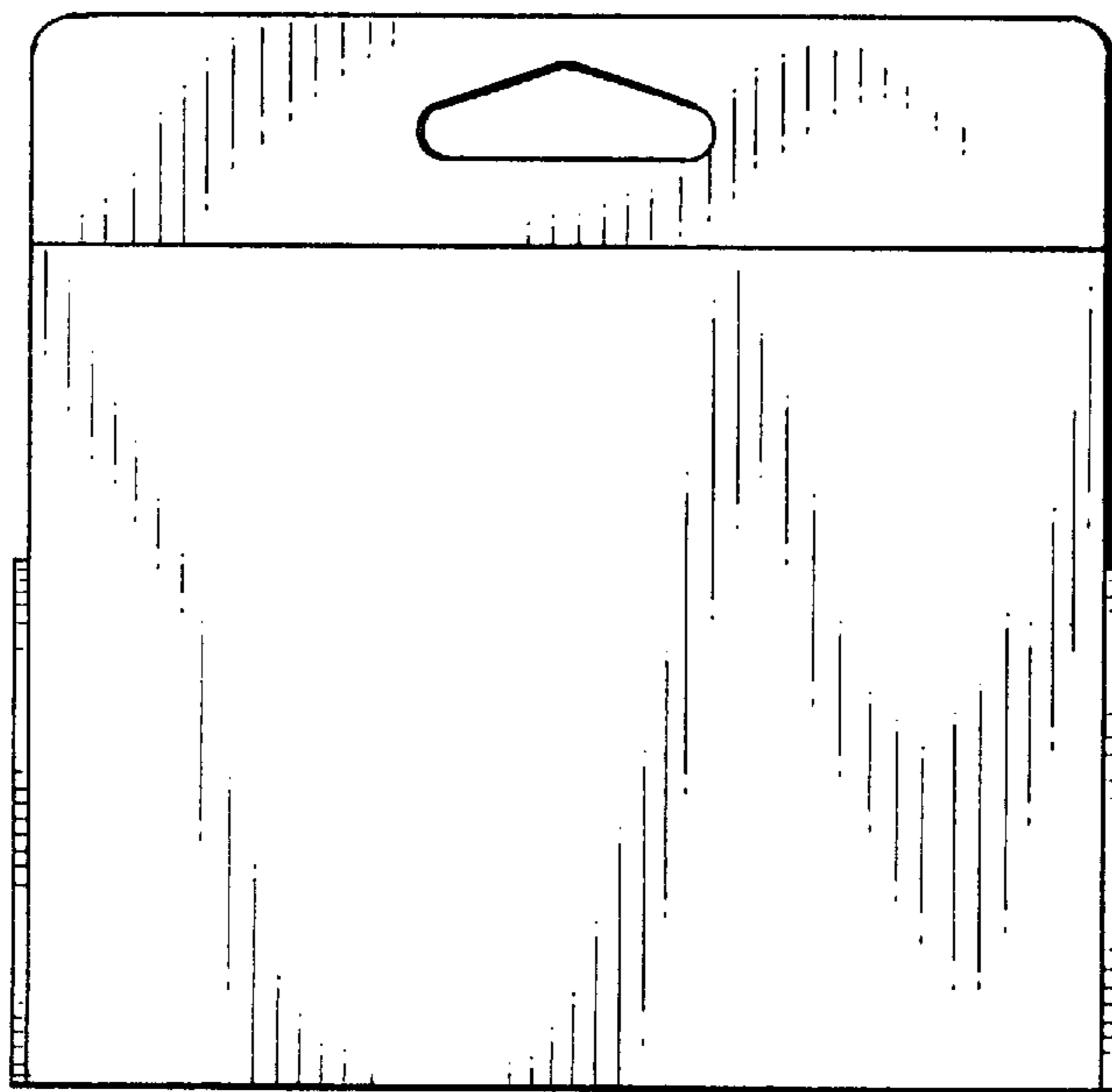


FIG. 4

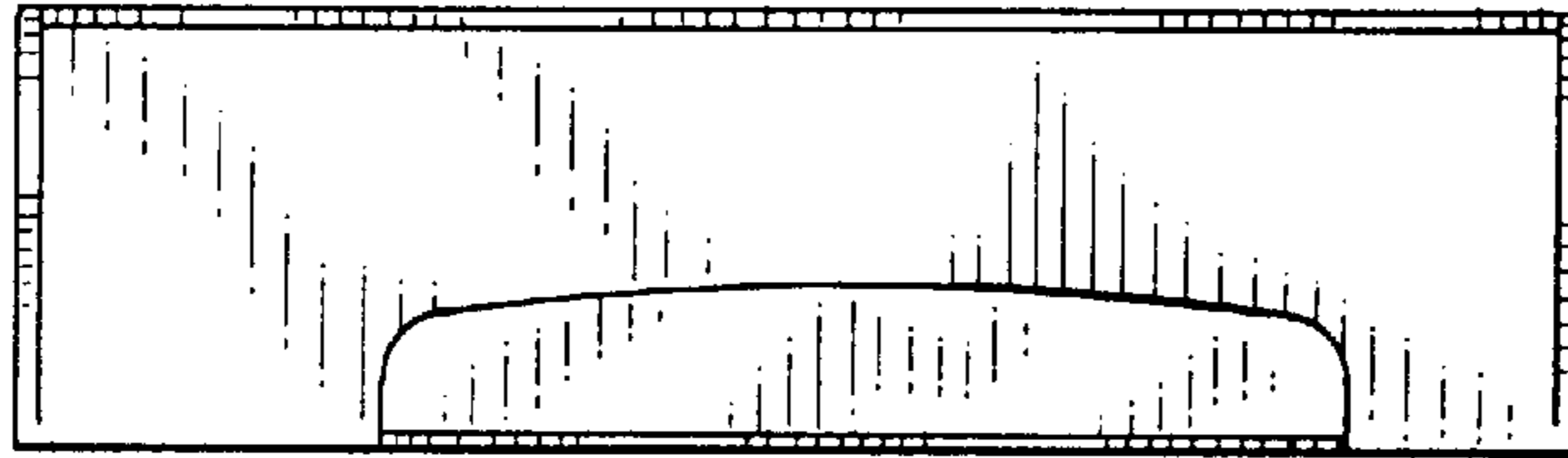


FIG. 5

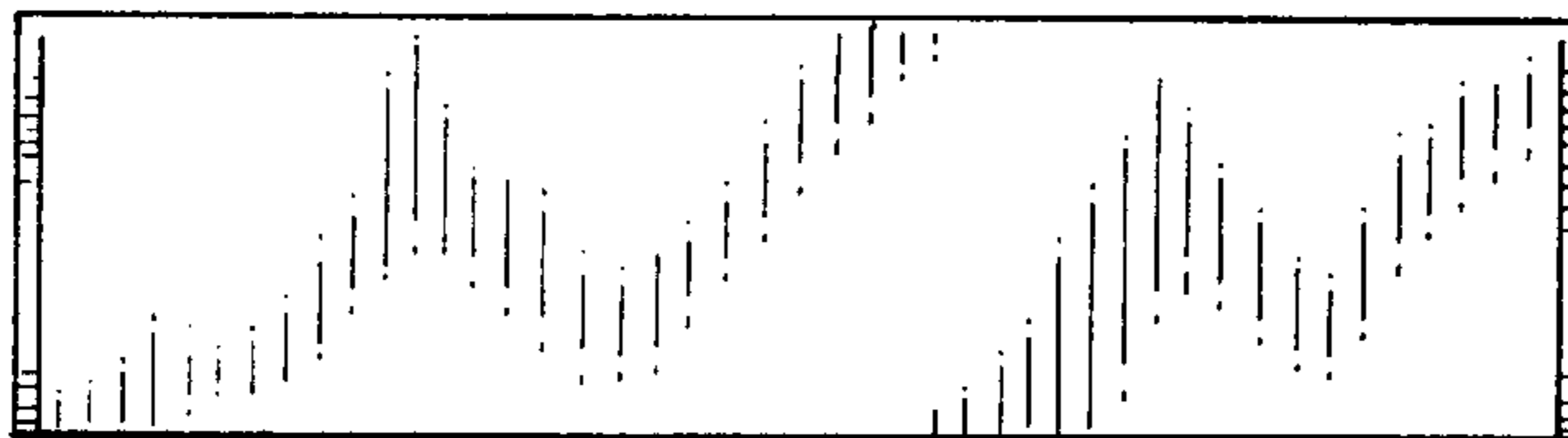


FIG. 6

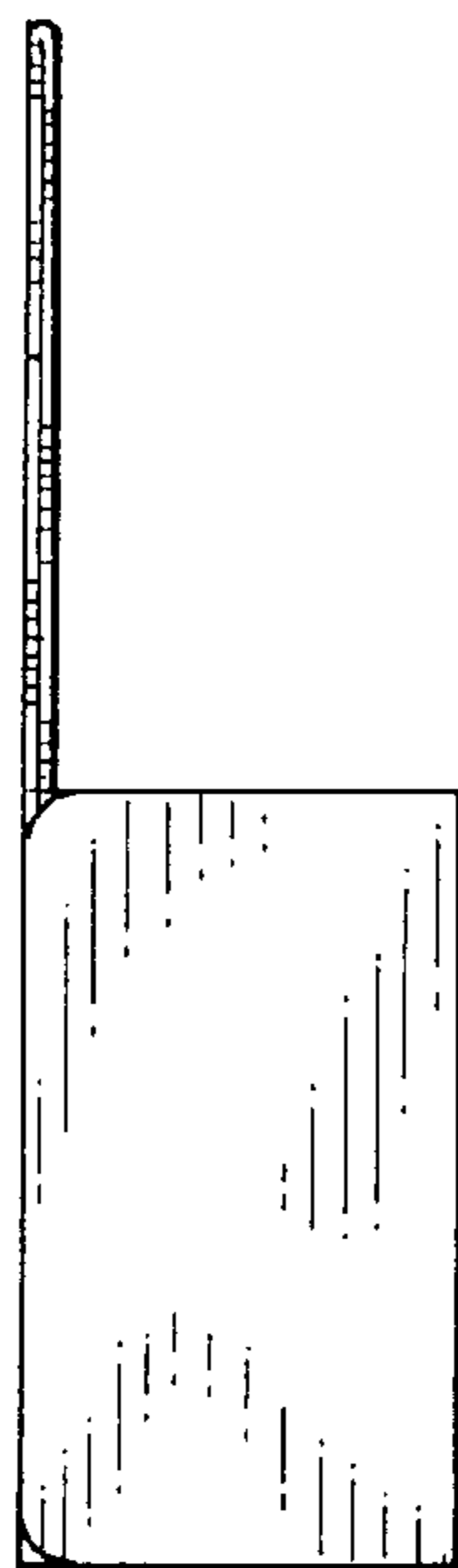


FIG. 7

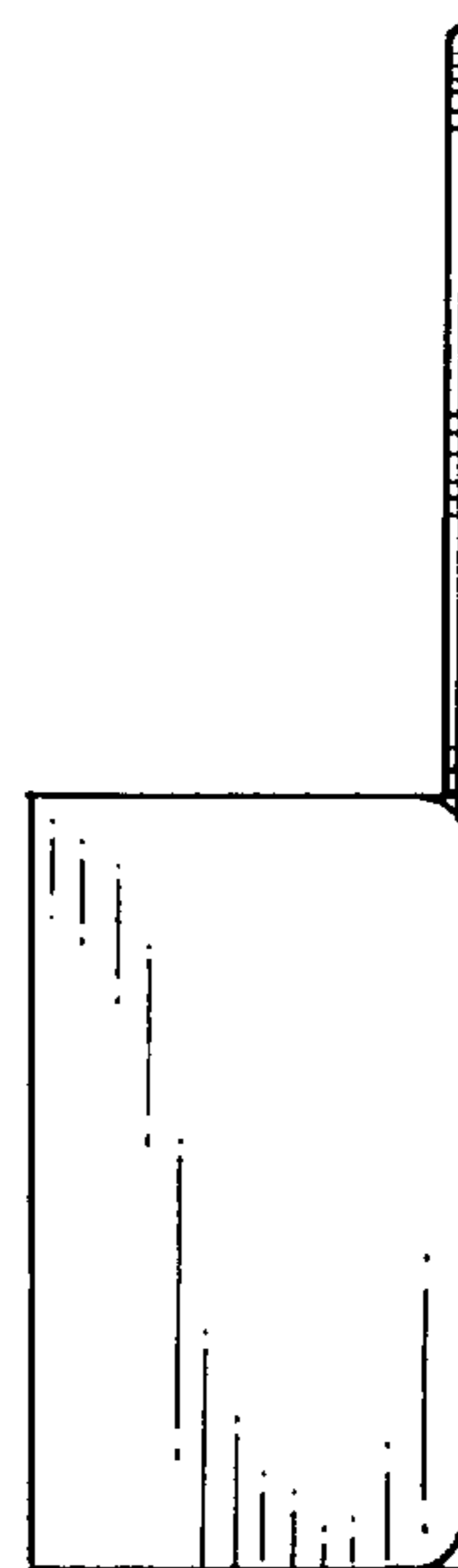


FIG. 8

