



US00D406750S

**United States Patent** [19]  
**Opielski et al.**

[11] **Patent Number: Des. 406,750**

[45] **Date of Patent: \*\*\*Mar. 16, 1999**

[54] **WINDOW ATTACHMENT CLIP COMPONENT**

3,372,522 3/1968 Engstrom ..... 52/456  
3,381,431 5/1968 Jacobson .  
4,478,002 10/1984 English ..... 49/57  
4,838,001 6/1989 Battles ..... 49/57

[75] Inventors: **Brian C. Opielski**, Malvern, Pa.;  
**Jerome C. Habeck**, Holt, Mich.

[73] Assignee: **CertainTeed Corporation**, Valley Forge, Pa.

*Primary Examiner*—B. J. Bullock  
*Attorney, Agent, or Firm*—Duane, Morris & Heckscher LLP

[\*] Notice: The term of this patent shall not extend beyond the expiration date of Pat. No. Des. 405,683.

[57] **CLAIM**

The ornamental design for a window attachment clip component, as shown and described.

[\*\*] Term: **14 Years**

**DESCRIPTION**

[21] Appl. No.: **56,454**

FIG. 1 is a top plan view of a window attachment clip component showing our new design, the bottom surface of the lower element is flat and the rounded element is uniform around the axis;

[22] Filed: **Jun. 28, 1996**

[51] **LOC (6) Cl.** ..... **08-09**

[52] **U.S. Cl.** ..... **D8/400**

[58] **Field of Search** ..... D8/400, 499; 49/51, 49/57, 58; 52/456, 311.3, 314

FIG. 2: is a left side elevation view of the window attachment clip component of FIG. 1, the right side elevation view being a mirror image thereof; and,

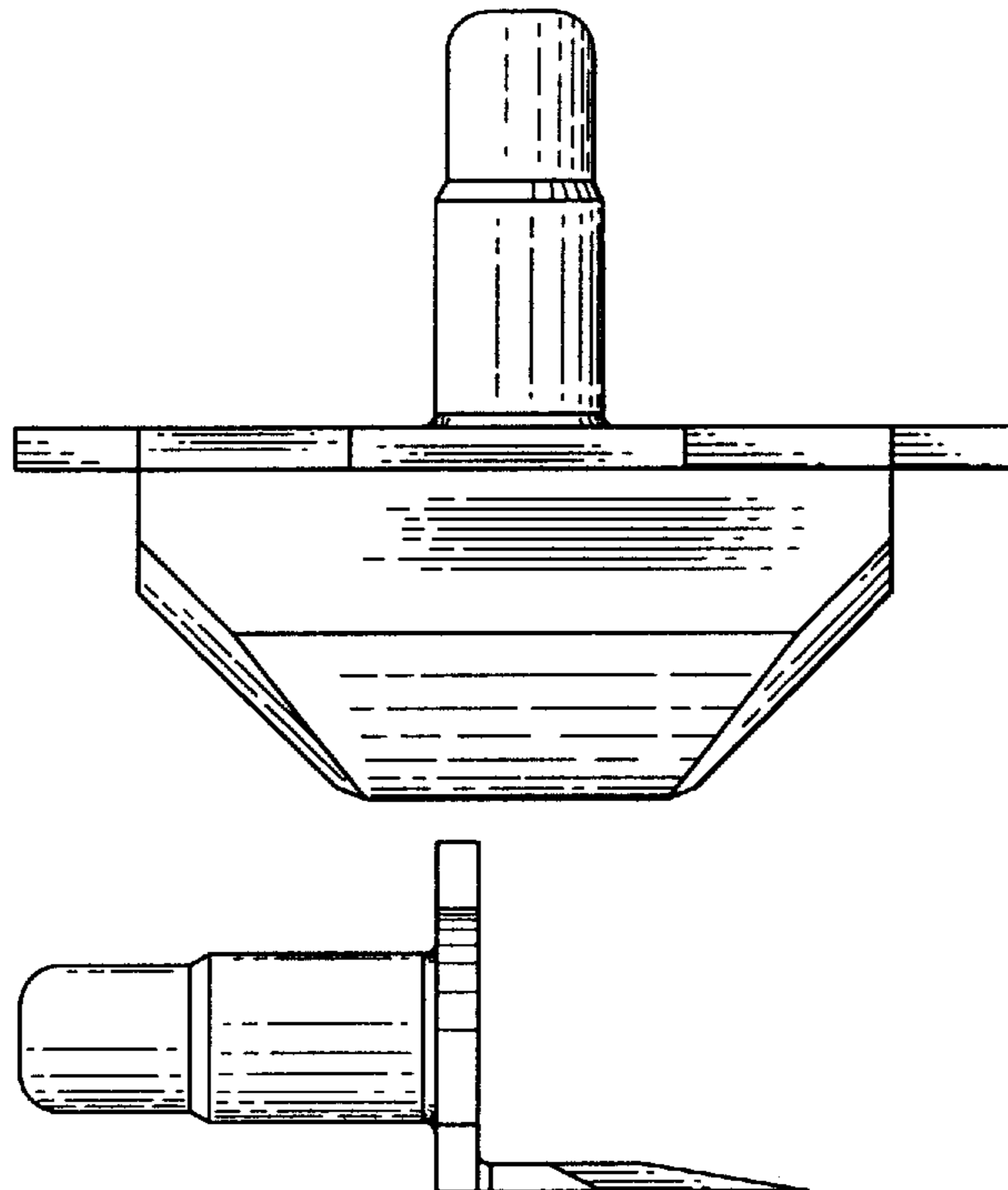
FIG. 3 is a front elevational view of the window attachment clip component housing of FIG. 1, the rear of the upright element is flat except for the rounded element.

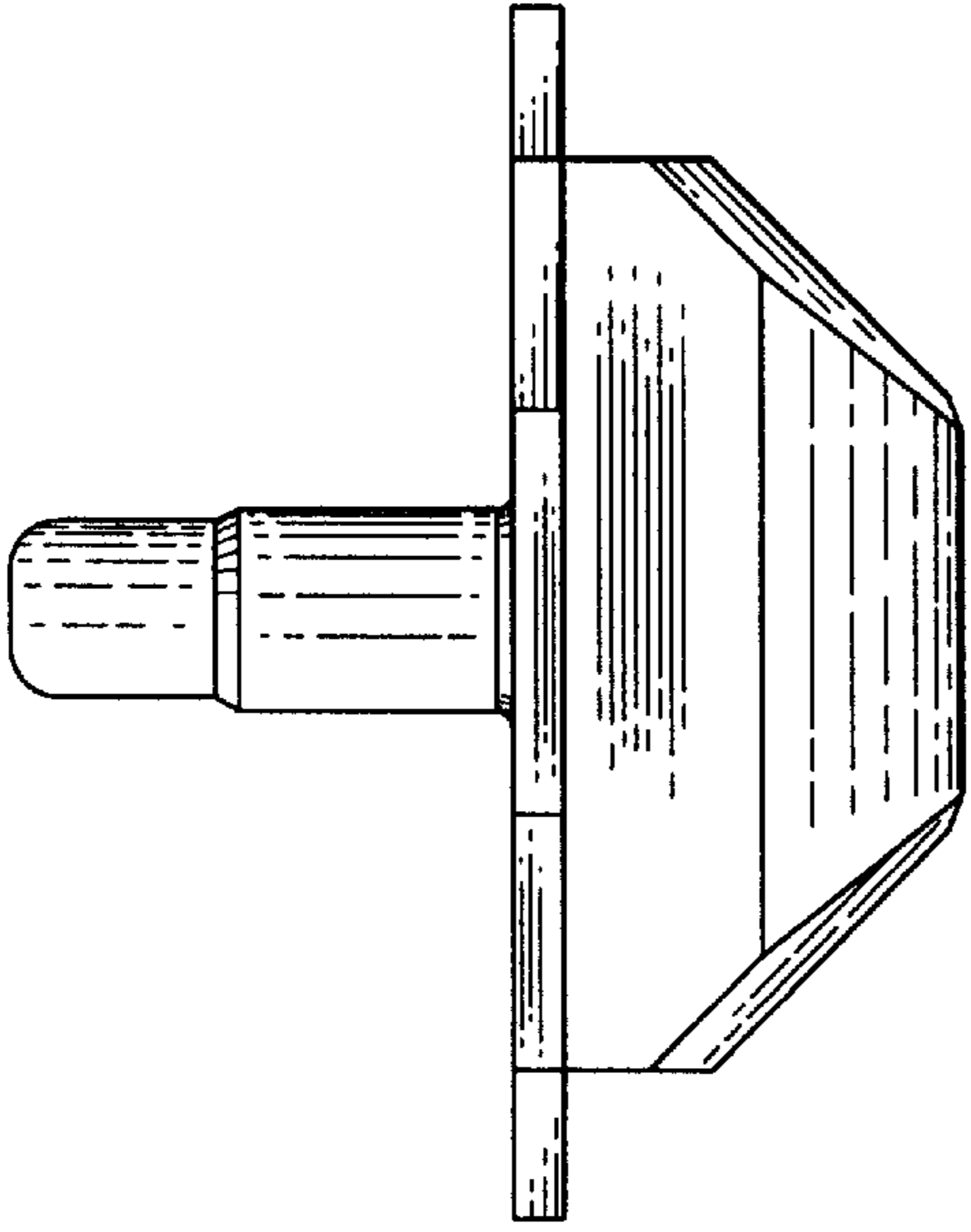
[56] **References Cited**

**U.S. PATENT DOCUMENTS**

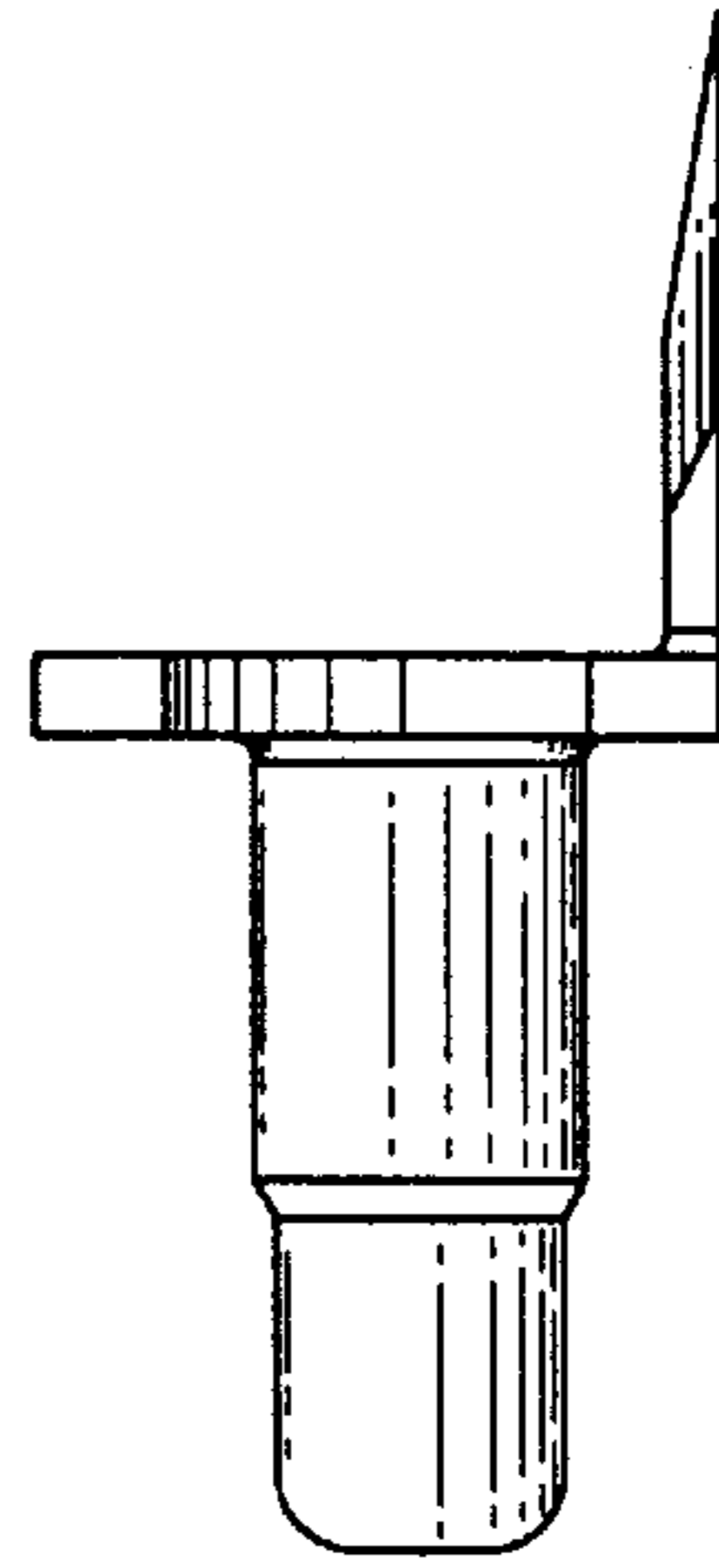
3,358,412 12/1967 Martin ..... 52/456

**1 Claim, 1 Drawing Sheet**

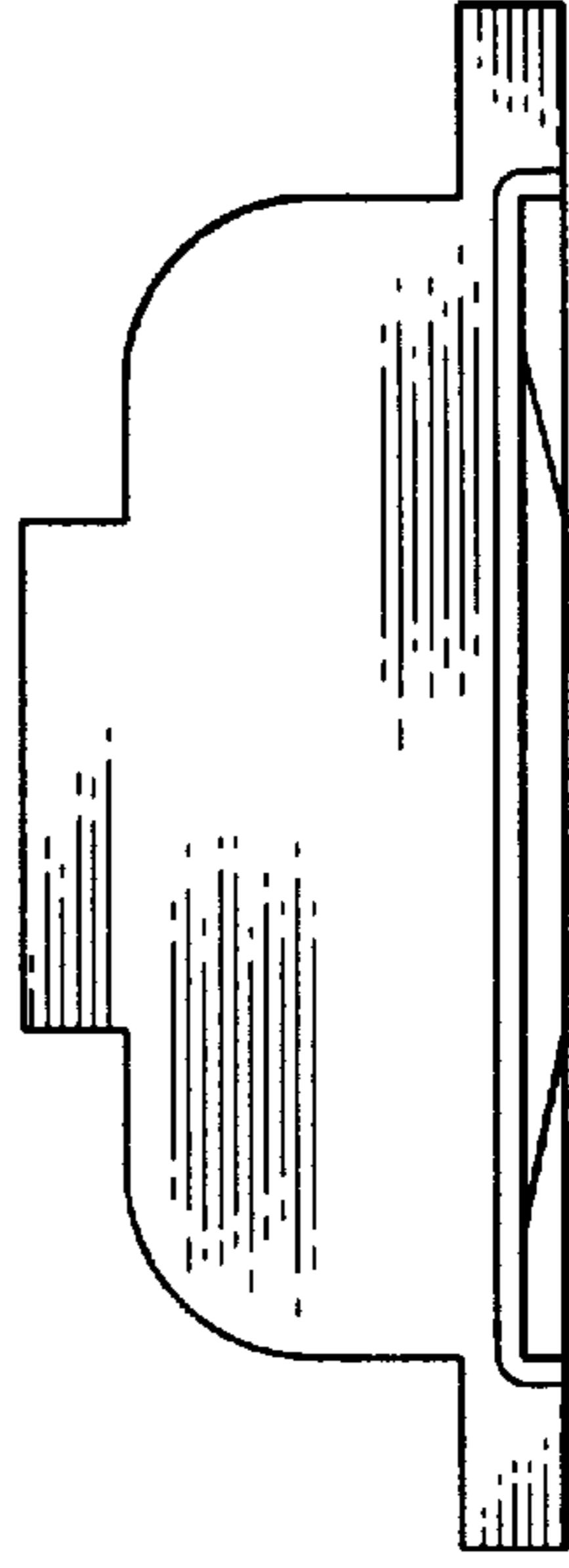




*FIG. 1*



*FIG. 2*



*FIG. 3*