

US00D406749S

United States Patent [19] Selk

[11] **Patent Number: Des. 406,749**

[45] **Date of Patent: **Mar. 16, 1999**

[54] **CORD CLIP**

Primary Examiner—Holly Baynham

[75] Inventor: **Daniel Selk**, 3693 34th Ave. N., St. Petersburg, Fla. 33713

[57] **CLAIM**

The ornamental design for a cord clip, as shown and described.

[73] Assignee: **Daniel Selk**, Lake Foxaway, N.C.

[**] Term: **14 Years**

DESCRIPTION

[21] Appl. No.: **84,822**

FIG. 1 is a front elevational view of a cord clip showing my new design;

[22] Filed: **Mar. 11, 1998**

FIG. 2 is an end elevational view thereof;

[51] **LOC (6) Cl.** **08-05**

FIG. 3 is a top plan view thereof;

[52] **U.S. Cl.** **D8/356**

FIG. 4 is a bottom plan view thereof;

[58] **Field of Search** D8/356; 248/68.1, 248/74.1-74.4; 174/41, 43, 46; 24/16 R, 16 PB, 129 R, 129 D, 115 H

FIG. 5 is a perspective view thereof;

FIG. 6 is a front elevational view of a second embodiment of my new design;

FIG. 7 is an end elevational view thereof;

[56] **References Cited**

U.S. PATENT DOCUMENTS

2,721,717	10/1955	Wales .	
3,141,359	7/1964	Bennett .	
3,276,181	10/1966	Gilbert	52/633
3,586,275	6/1971	Mittelstadt .	
4,558,495	12/1985	Olsen .	
5,024,402	6/1991	Hamel .	
5,233,881	8/1993	Sayen et al.	248/68.1 X
5,497,963	3/1996	Lee .	

FIG. 8 is a bottom plan view thereof;

FIG. 9 is a top plan view thereof;

FIG. 10 is a perspective view thereof;

FIG. 11 is a front elevational view of a third embodiment of my new design;

FIG. 12 is an end elevational view thereof;

FIG. 13 is a bottom plan view thereof;

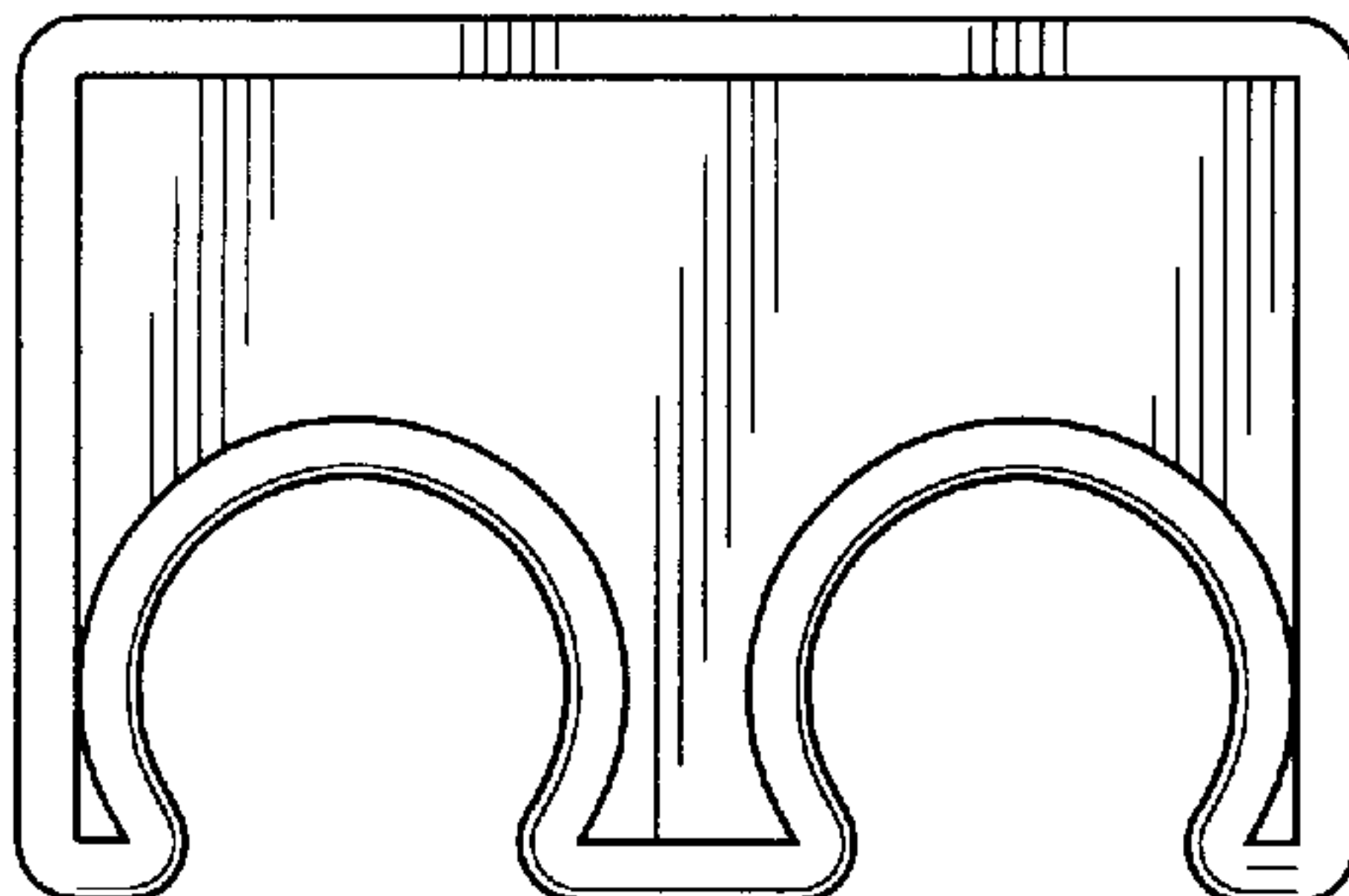
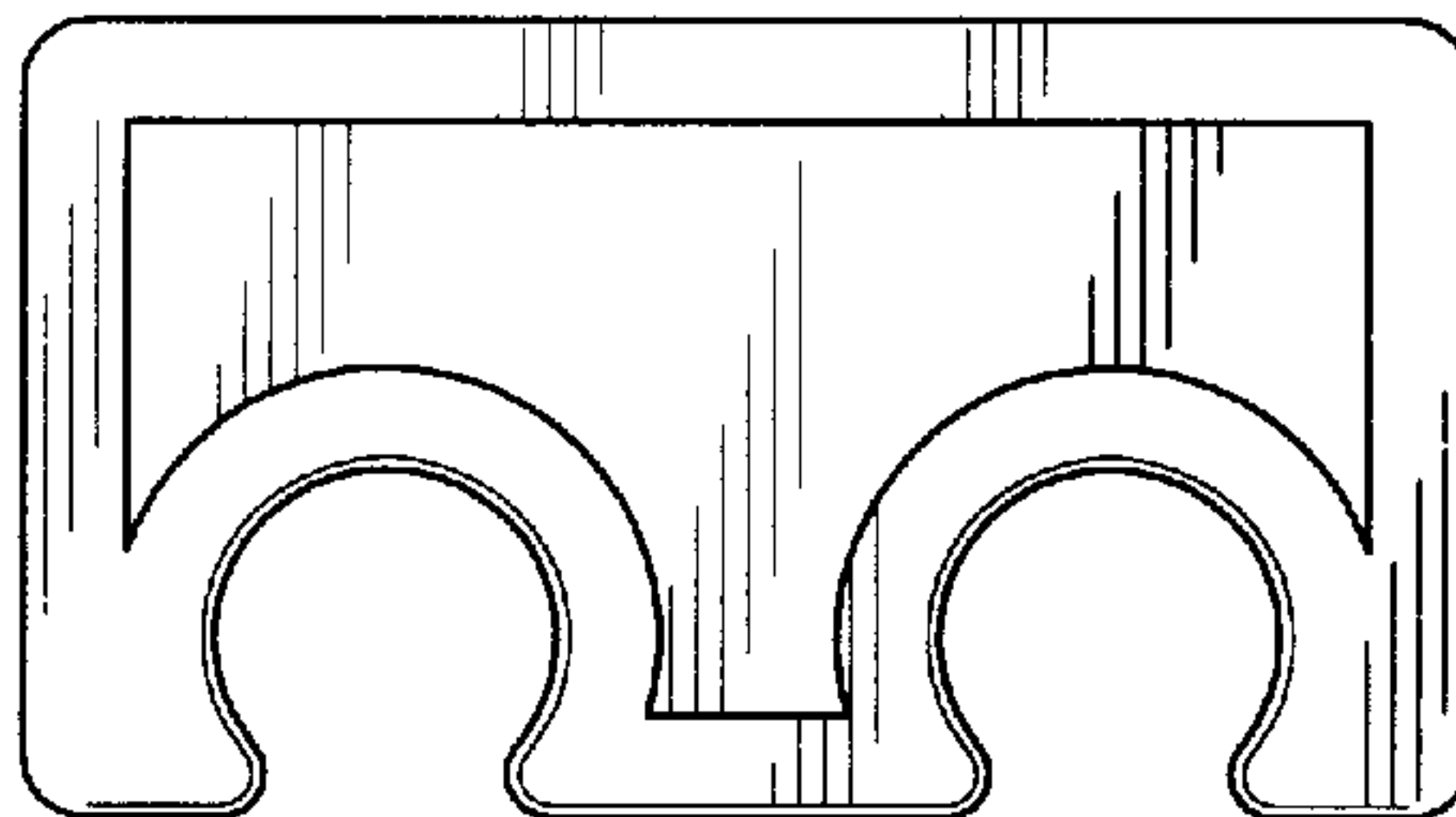
FIG. 14 is a top plan view thereof; and,

FIG. 15 is a perspective view thereof.

FOREIGN PATENT DOCUMENTS

1131413	7/1954	France .	
---------	--------	----------	--

1 Claim, 3 Drawing Sheets



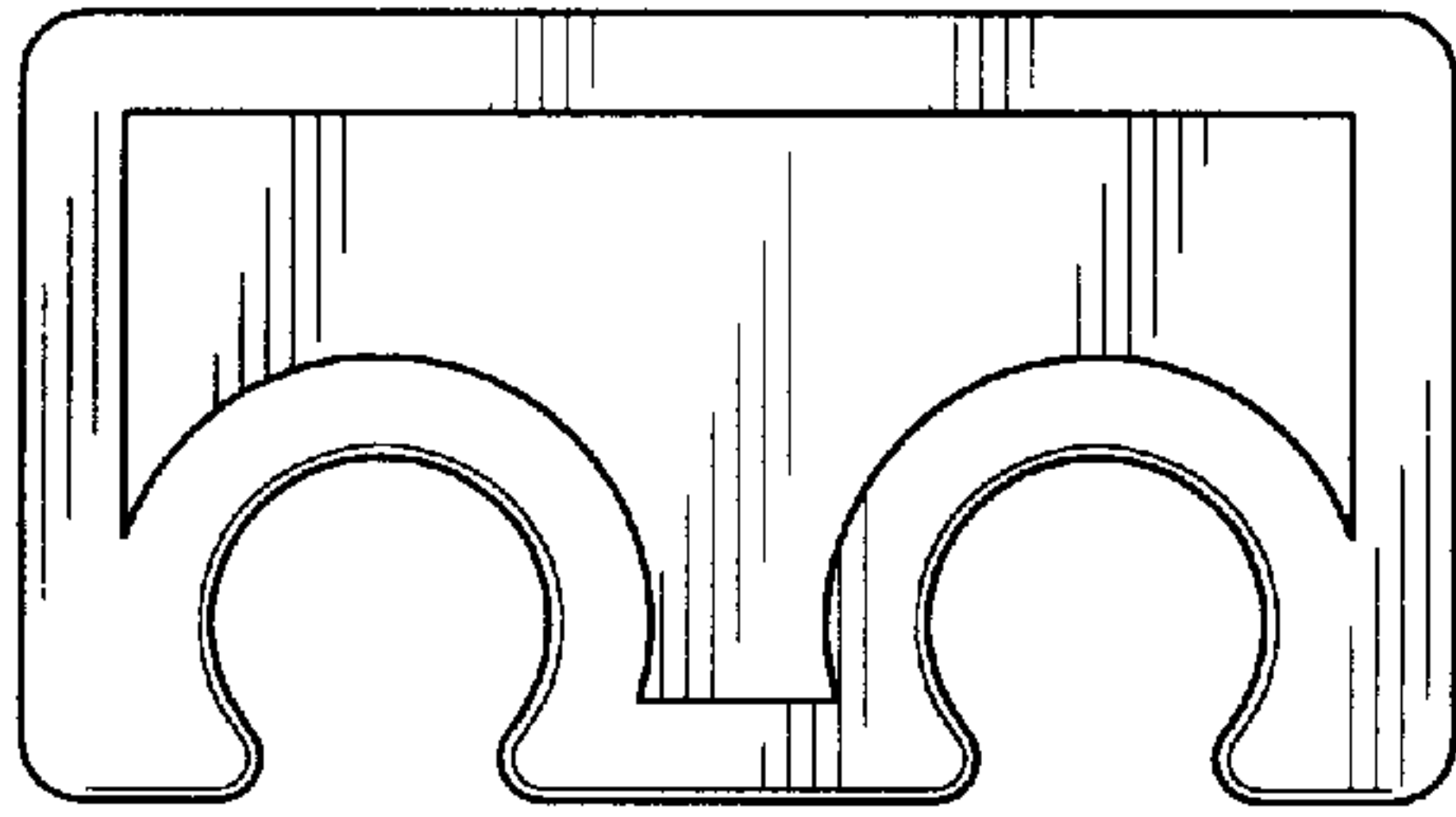


FIG. 1

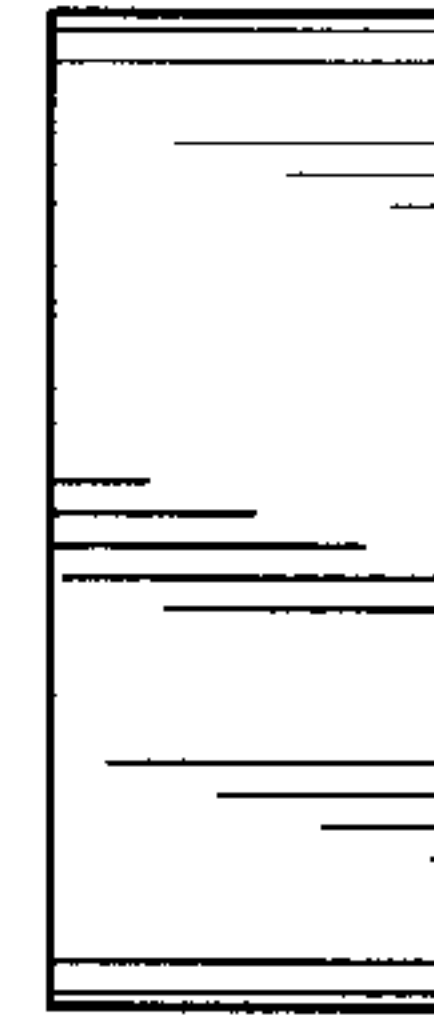


FIG. 2

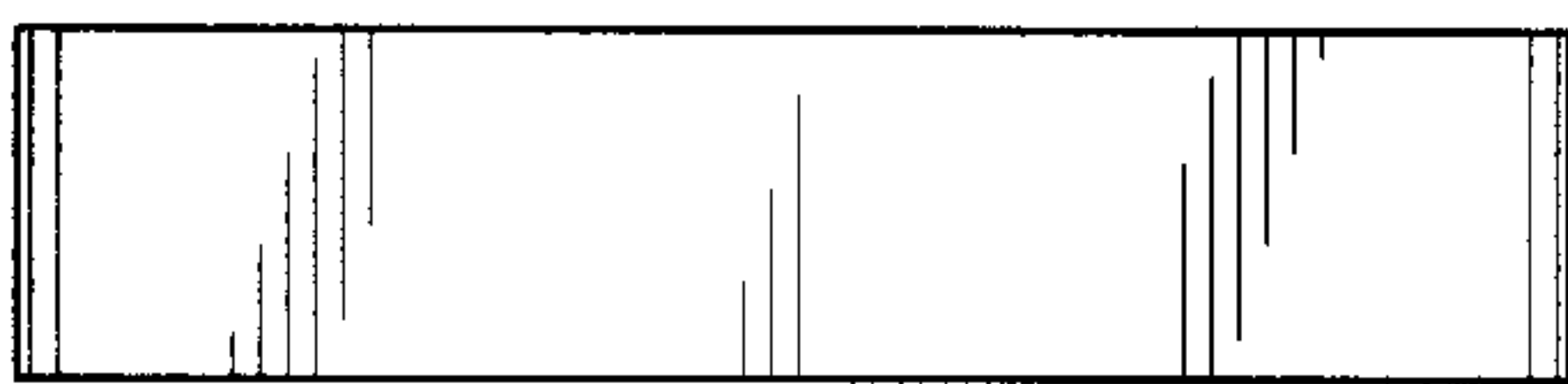


FIG. 3

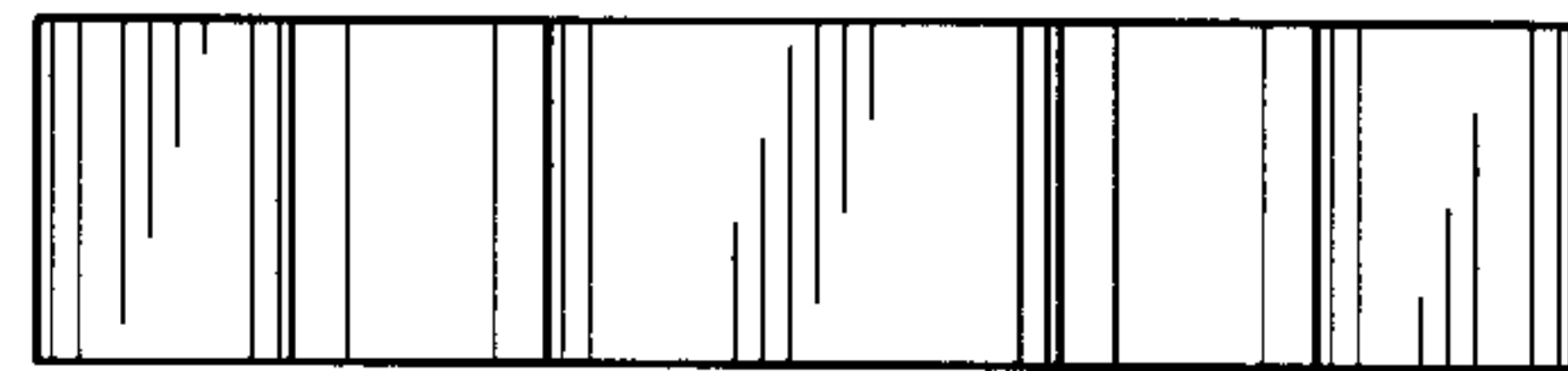


FIG. 4

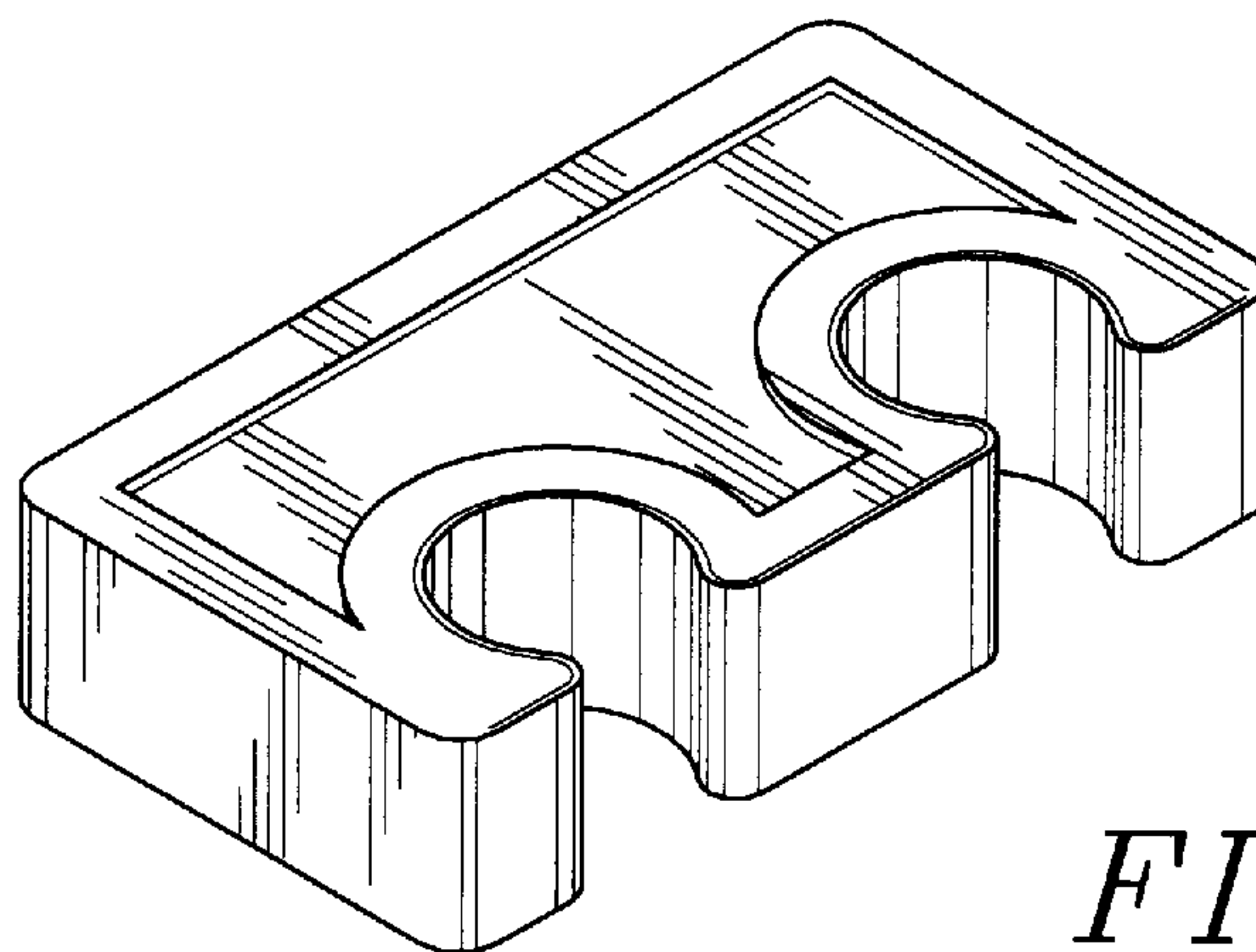


FIG. 5

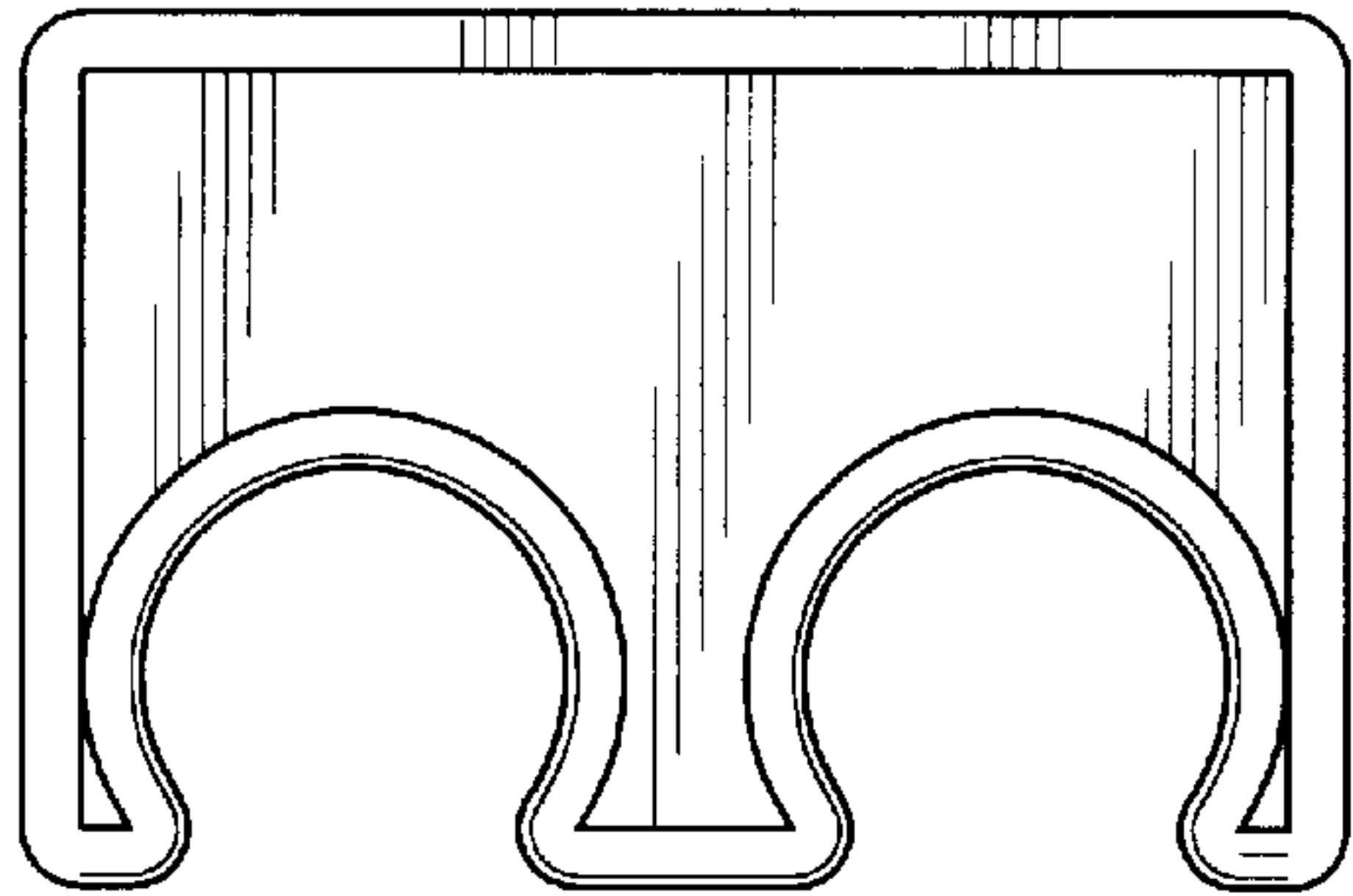


FIG. 6



FIG. 7

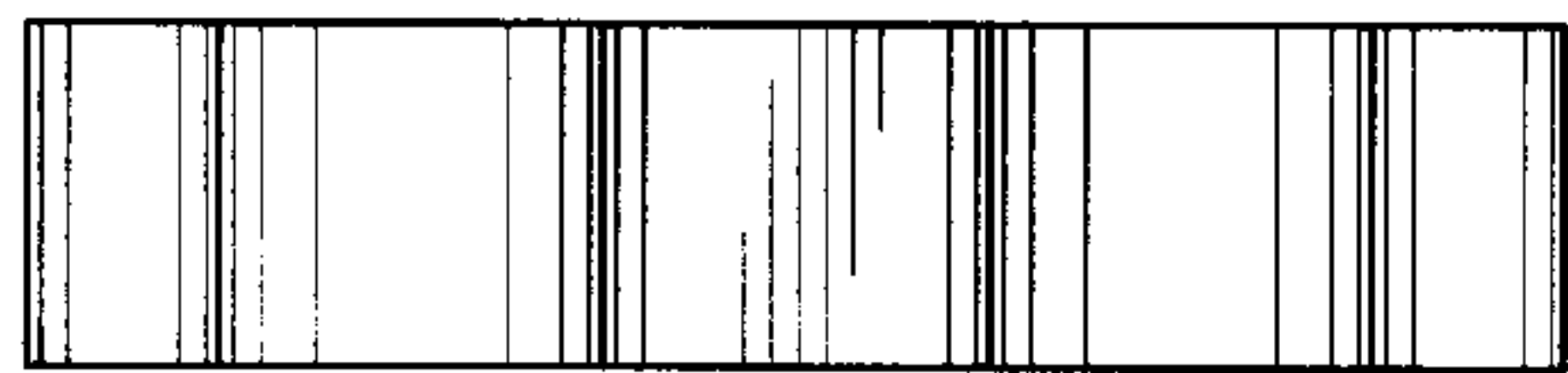


FIG. 8

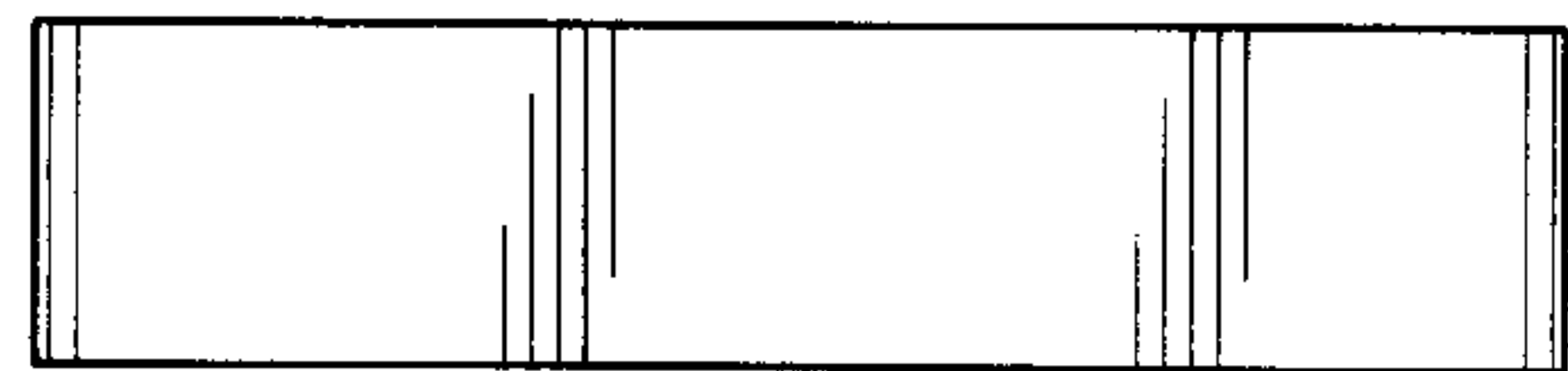


FIG. 9

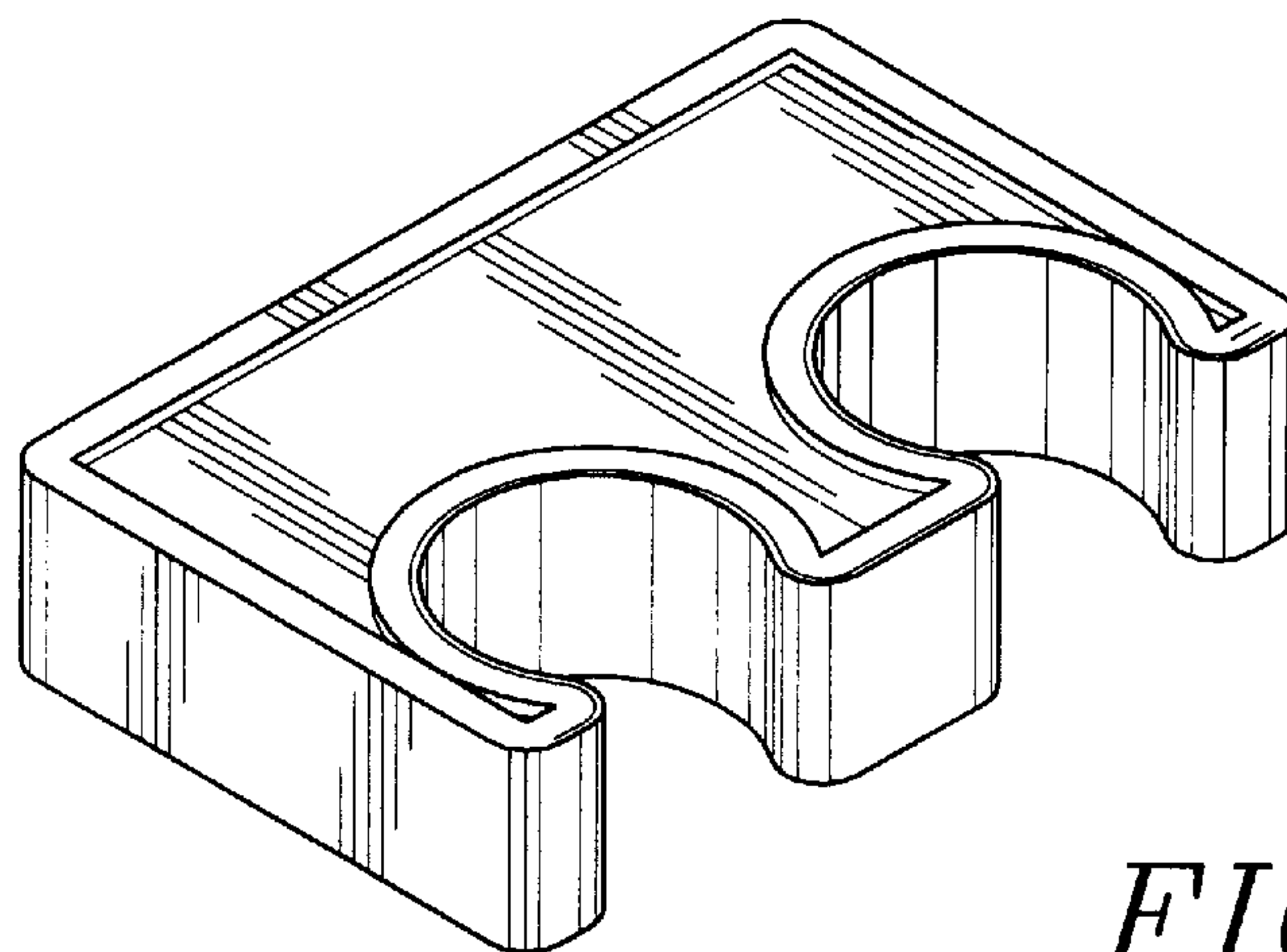


FIG. 10

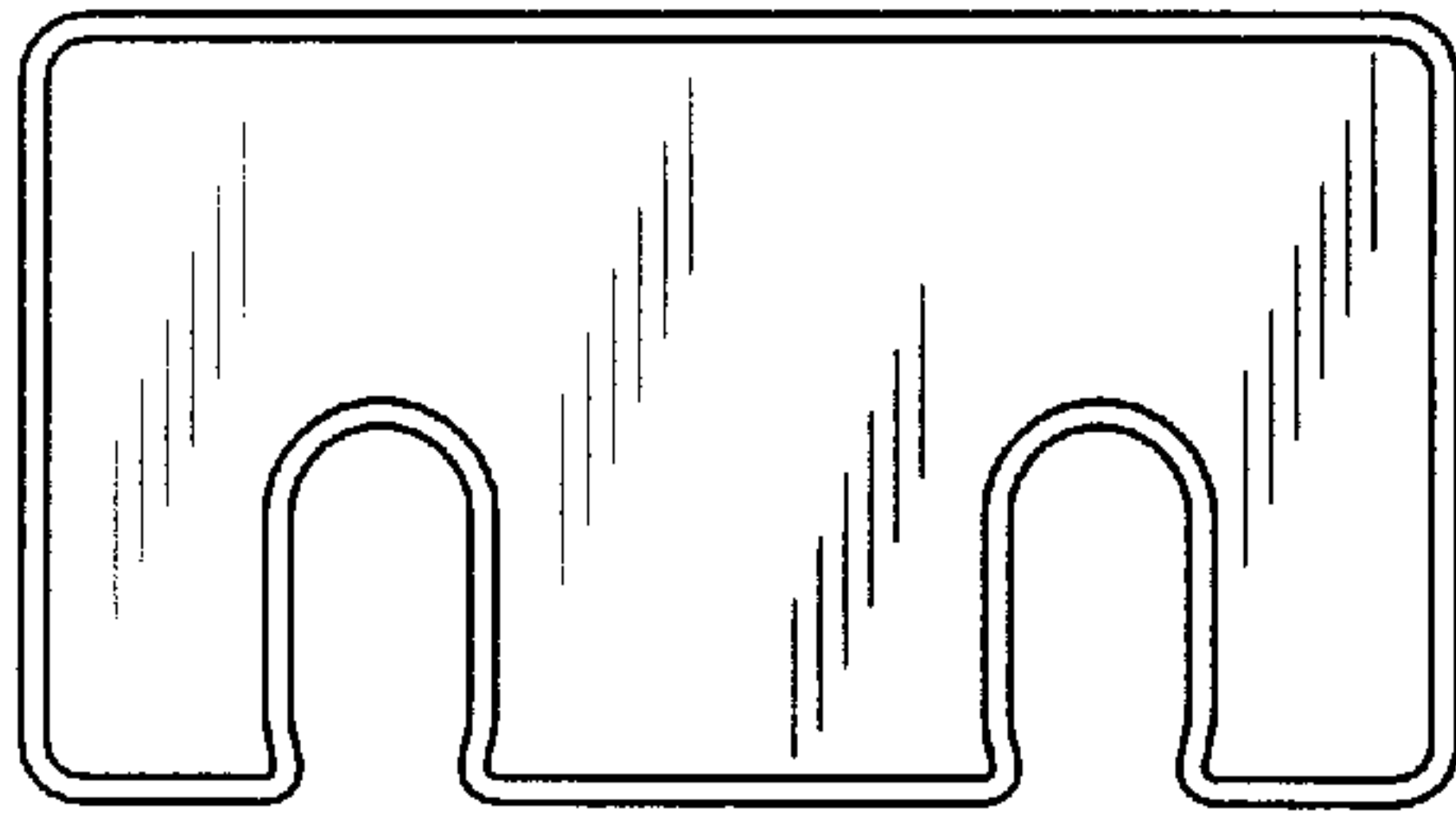


FIG. 11

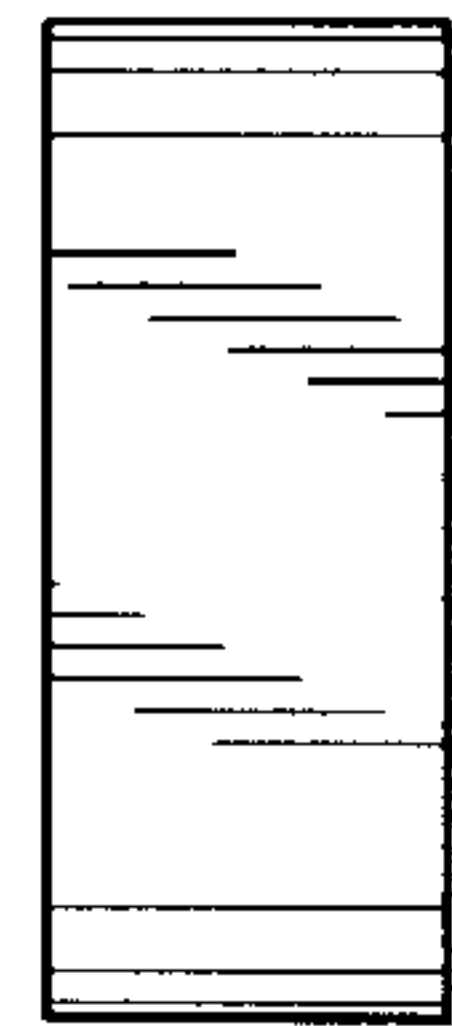


FIG. 12

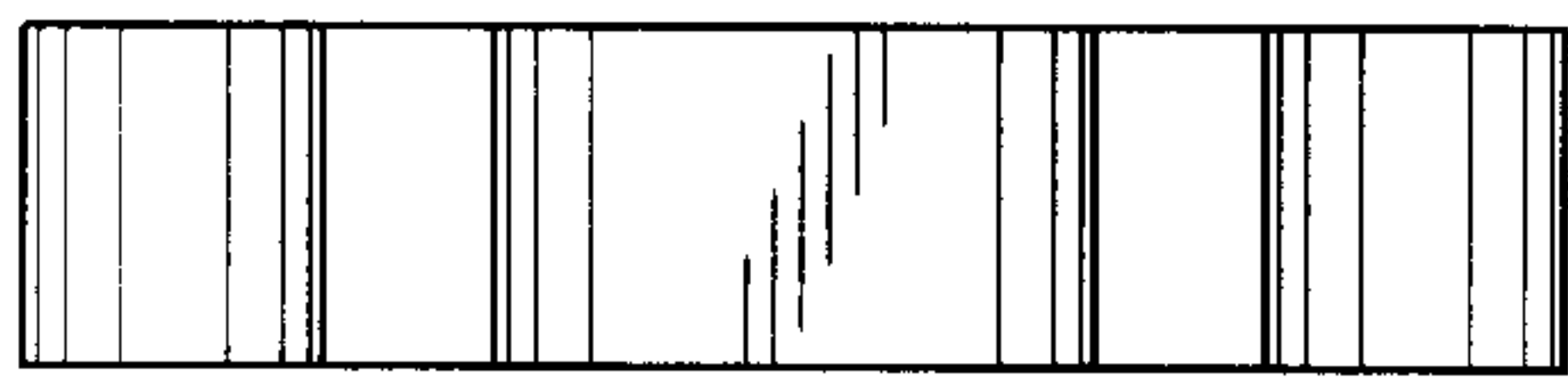


FIG. 13

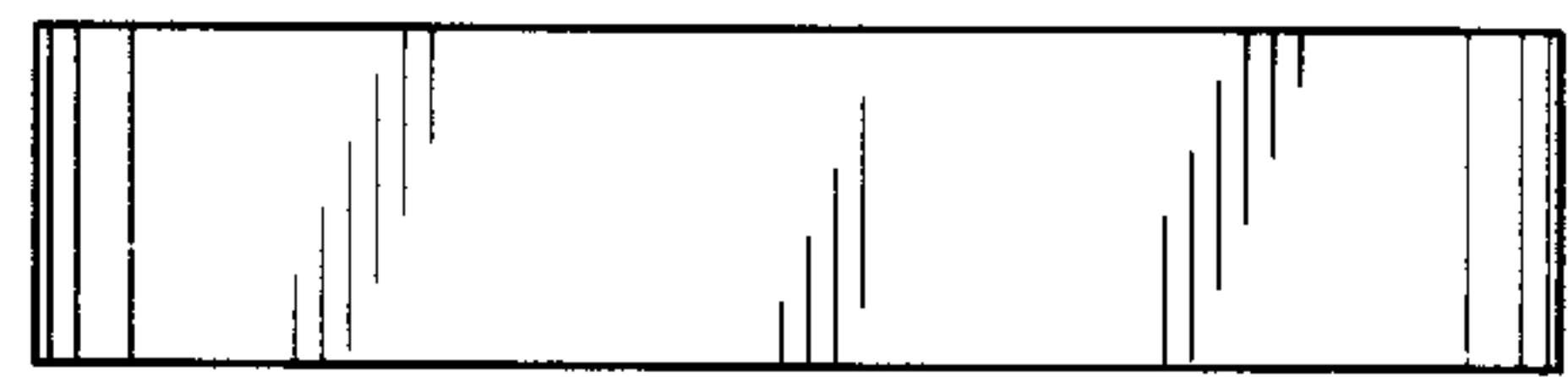


FIG. 14

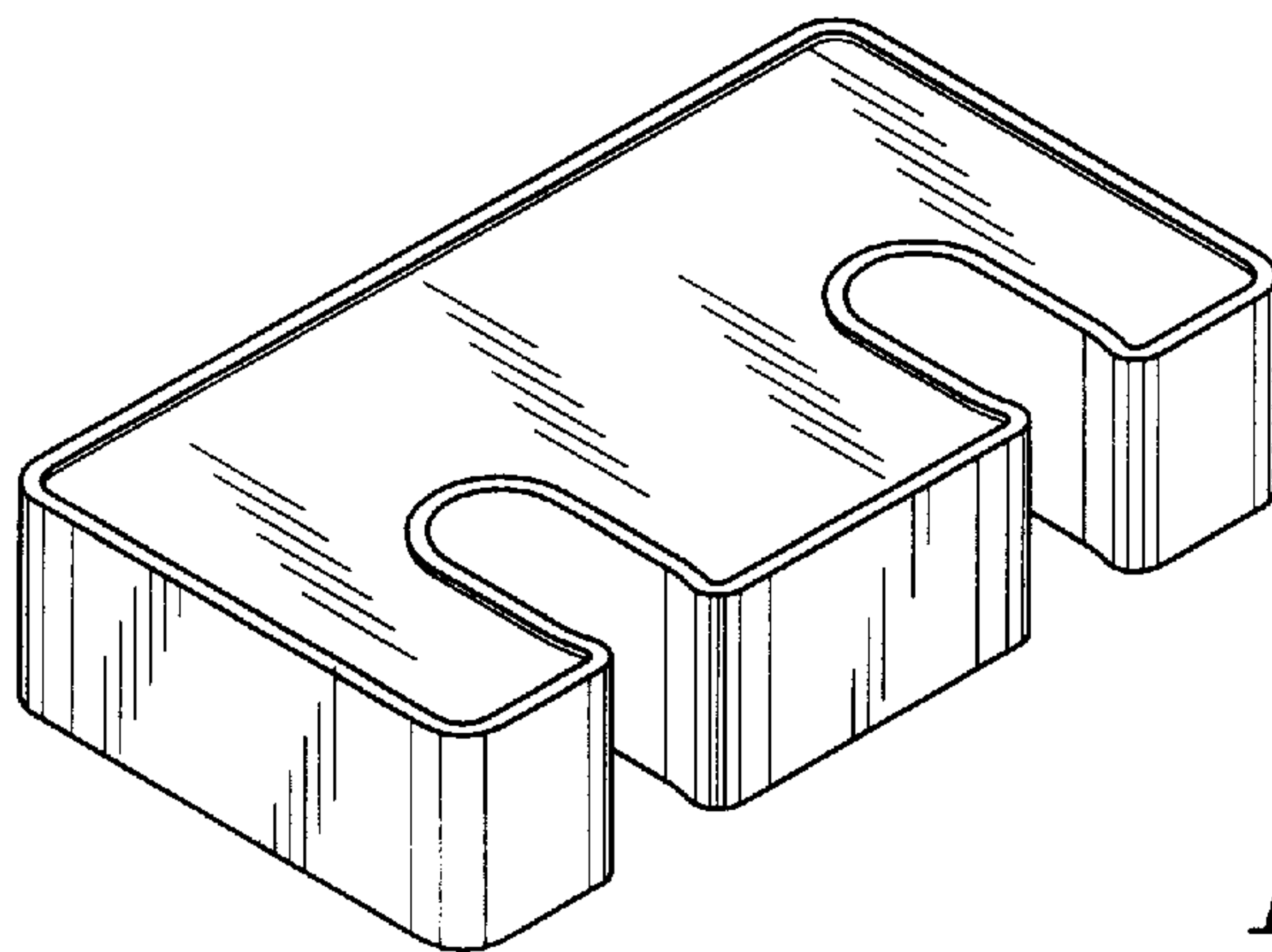


FIG. 15