



US00D406748S

**United States Patent** [19]  
**Byrne**

[11] **Patent Number: Des. 406,748**

[45] **Date of Patent: \*\*\*Mar. 16, 1999**

[54] **GROMMET HOUSING FOR LIFT-UP DEVICES**

[76] Inventor: **Norman R. Byrne**, 2736 Honey Creek, NE., Ada, Mich. 49301

[\*] Notice: This patent issued on a continued prosecution application filed under 37 CFR 1.53(d), and is subject to the twenty year patent term provisions of 35 U.S.C. 154(a)(2).

[\*\*] Term: **14 Years**

[21] Appl. No.: **71,660**

[22] Filed: **Jun. 5, 1997**

[51] **LOC (6) Cl. .... 08-05**

[52] **U.S. Cl. .... D8/356**

[58] **Field of Search .... D8/356; 248/56; 174/48, 153 G**

- 676,622 6/1901 Gochnauer .
- 2,811,574 10/1957 Guerrero .
- 2,861,857 11/1958 Lee et al. .
- 4,059,321 11/1977 Rassmussen et al. .
- 4,272,643 6/1981 Carroll et al. .
- 4,551,577 11/1985 Byrne .
- 4,556,190 12/1985 Smith .
- 4,688,491 8/1987 Herrera et al. .
- 4,747,788 5/1988 Byrne .
- 4,828,513 5/1989 Morrison et al. .
- 4,959,509 9/1990 Takeuchi et al. .
- 5,167,047 12/1992 Plumley .
- 5,351,173 9/1994 Byrne .

*Primary Examiner*—Holly Baynham  
*Attorney, Agent, or Firm*—Varnum, Riddering, Schmidt & Howlett llp

[57] **CLAIM**

I claim, the ornamental design for grommet housing for lift-up devices, as shown and described.

**DESCRIPTION**

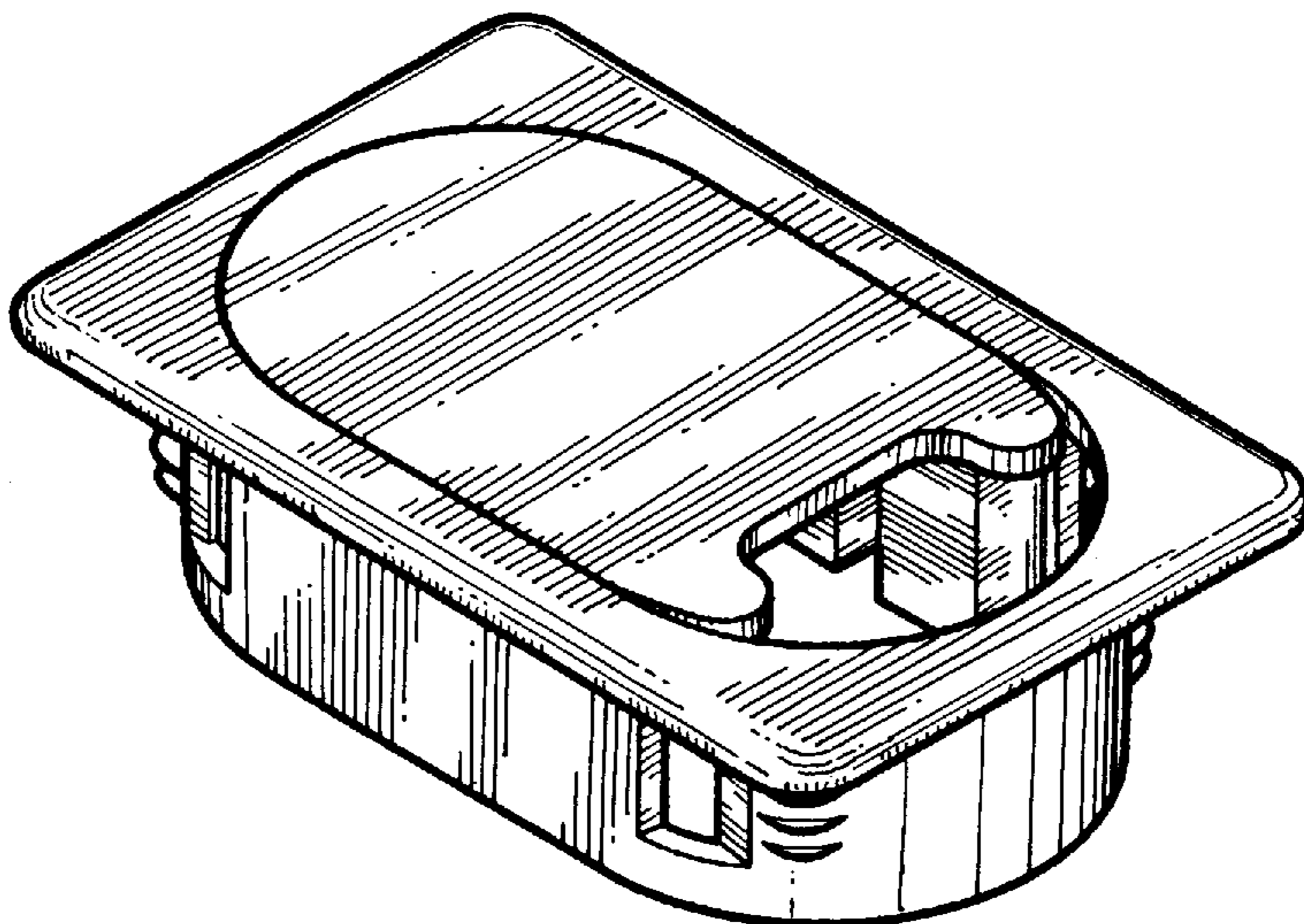
FIG. 1 is a perspective view of a grommet housing for lift-up devices according to my design;  
FIG. 2 is a top plan view thereof;  
FIG. 3 is a side elevational view thereof; and,  
FIG. 4 is an end elevational view thereof.

**1 Claim, 1 Drawing Sheet**

[56] **References Cited**

**U.S. PATENT DOCUMENTS**

- D. 296,761 7/1988 Mockett .
- D. 317,559 6/1991 Simonton .
- D. 361,711 8/1995 Plumley ..... D8/356
- D. 370,622 6/1996 Byrne .



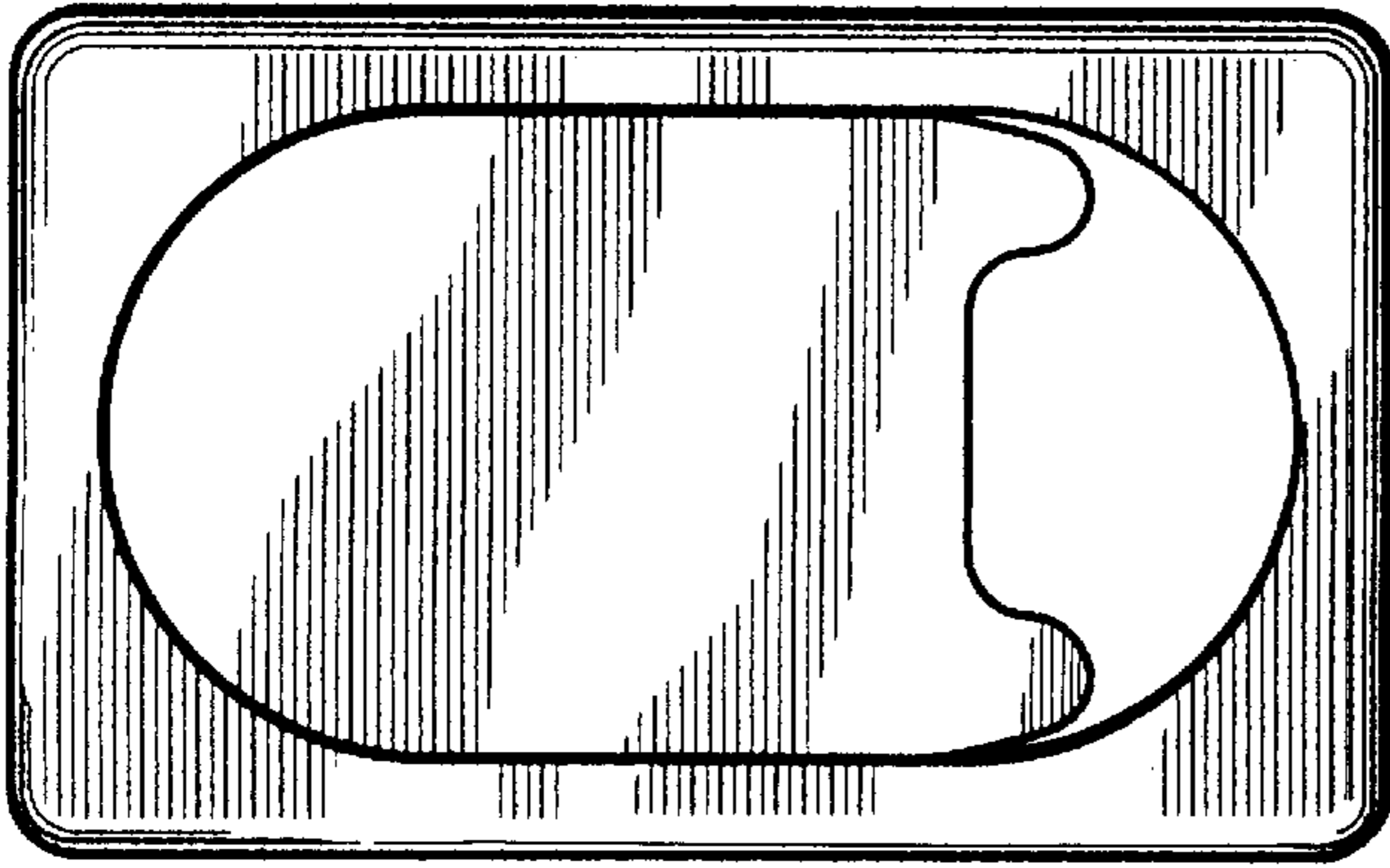


Fig. 2

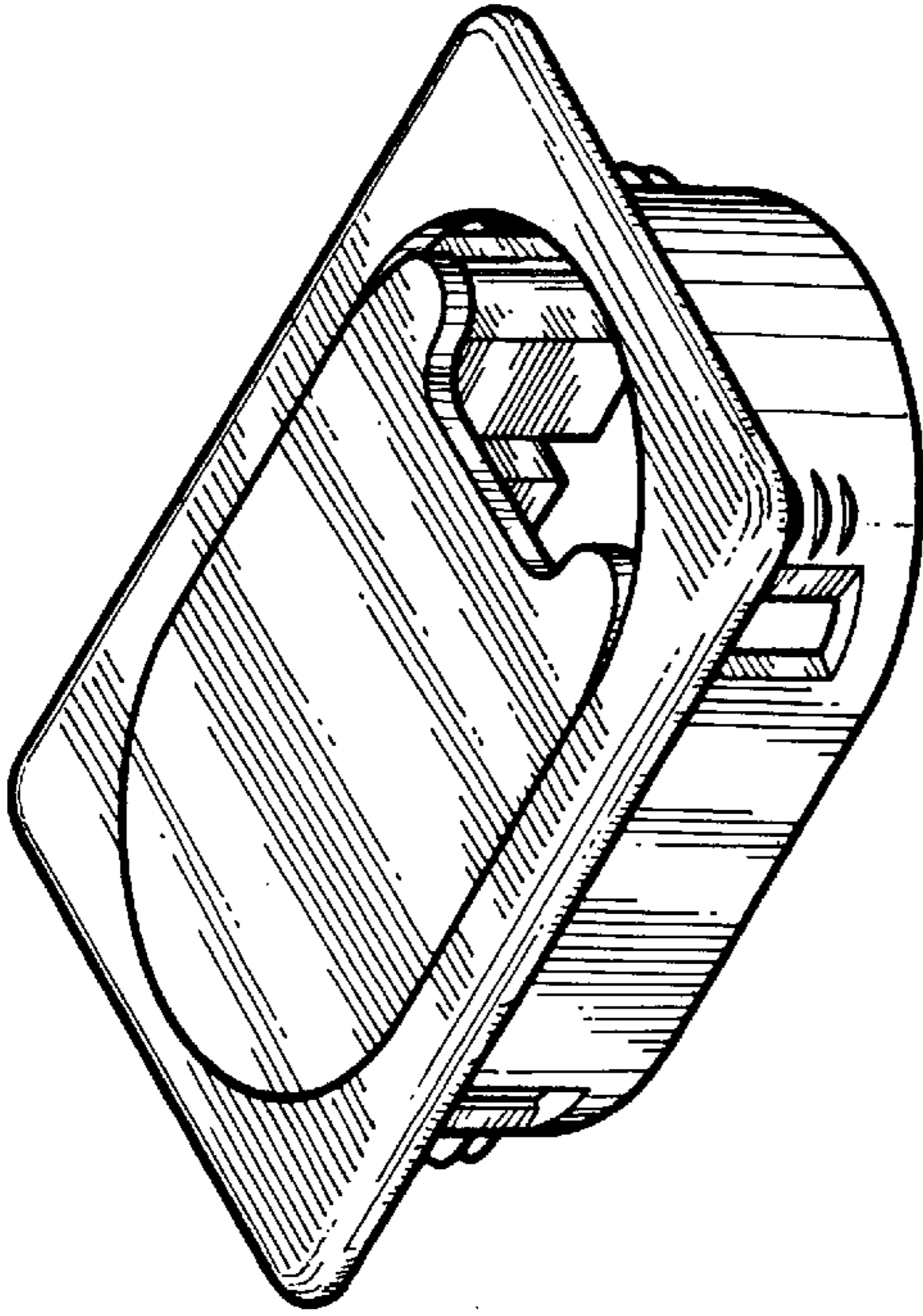


Fig. 1

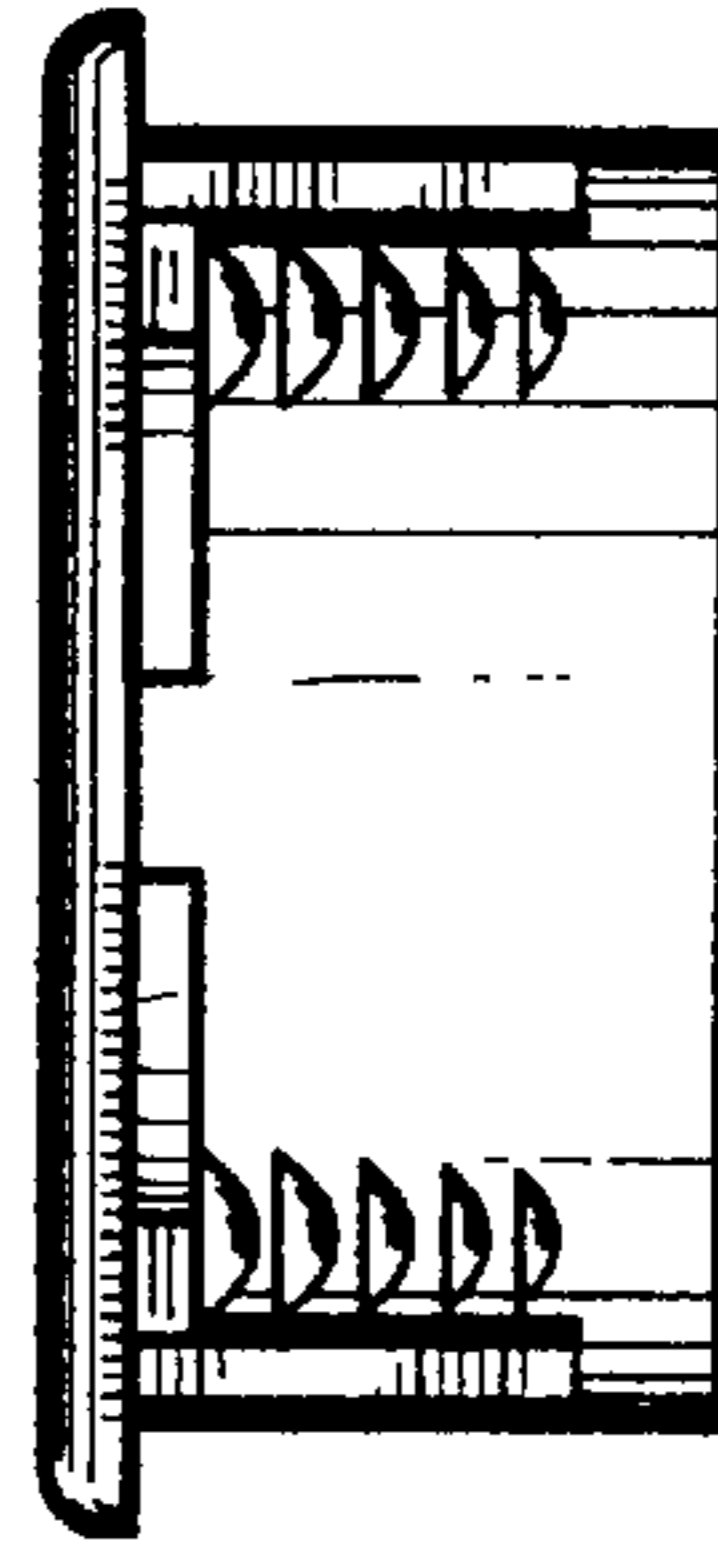


Fig. 4

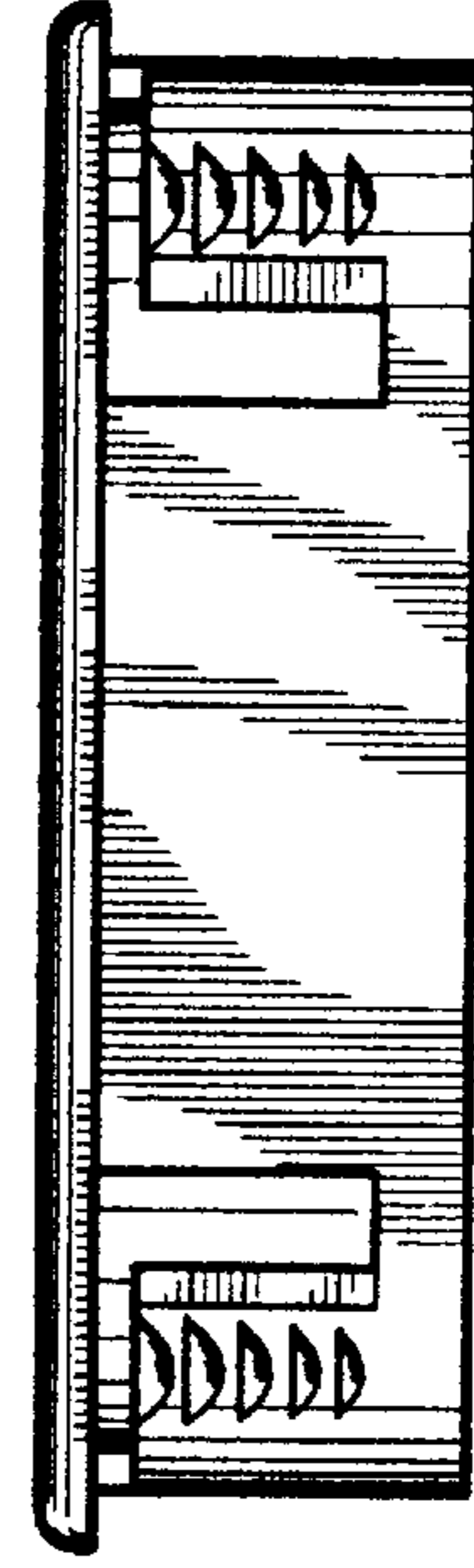


Fig. 3