



US00D406747S

United States Patent [19]
Sonntag

[11] **Patent Number: Des. 406,747**

[45] **Date of Patent: **Mar. 16, 1999**

[54] **SUPPORT PART FOR A HOLDER FOR ELECTRONICS AND INSTRUMENTATION ENCLOSURE**

[75] Inventor: **John-Erik Sonntag**, Tammissaari, Finland

[73] Assignee: **Fibox Oy AB**, Jorvas, Finland

[**] Term: **14 Years**

[21] Appl. No.: **77,606**

[22] Filed: **Oct. 7, 1997**

[30] **Foreign Application Priority Data**

Apr. 7, 1997 [FI] Finland 248/97

[51] **LOC (6) Cl.** **08-05**

[52] **U.S. Cl.** **D8/354**

[58] **Field of Search** D8/349, 354; 248/300, 248/200, 214, 61, 74.1

[56] **References Cited**

U.S. PATENT DOCUMENTS

D. 367,811 3/1996 Leblhuber D8/354

D. 368,686 4/1996 Leblhuber D8/354

Primary Examiner—Holly Baynham
Attorney, Agent, or Firm—Finnegan, Henderson, Farabow, Garrett & Dunner, L.L.P.

[57] **CLAIM**

The ornamental design for a support part for a holder for electronics and instrumentation enclosure, as shown and described.

DESCRIPTION

FIG. 1 is a perspective top and front view of a support part for a holder for electronics and instrumentation enclosure showing my new design;

FIG. 2 is a perspective bottom and rear view thereof;

FIG. 3 is a top view thereof;

FIG. 4 is a bottom view thereof;

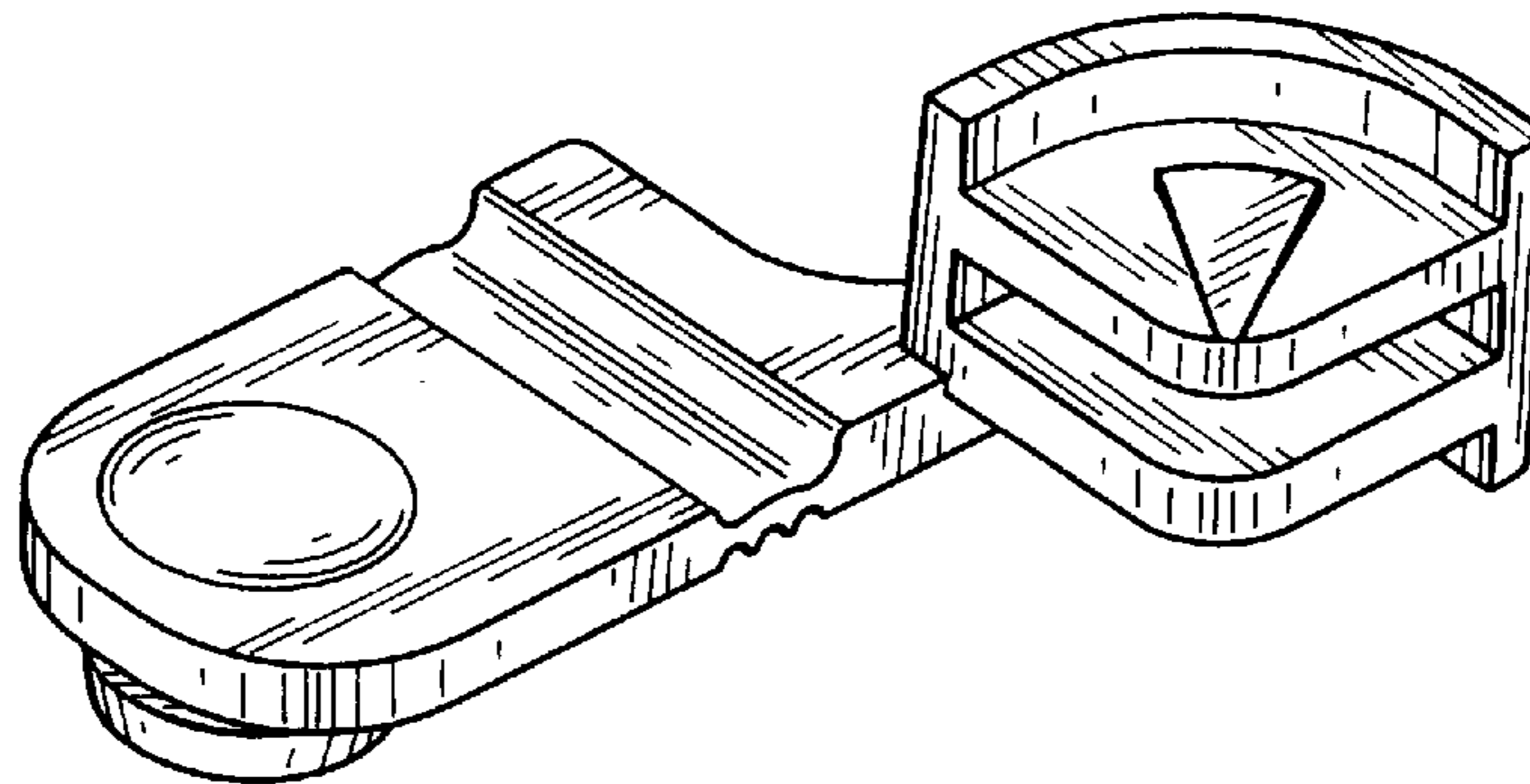
FIG. 5 is a front view thereof;

FIG. 6 is a right side view thereof;

FIG. 7 is a left side view thereof; and,

FIG. 8 is a rear side view thereof;

1 Claim, 2 Drawing Sheets



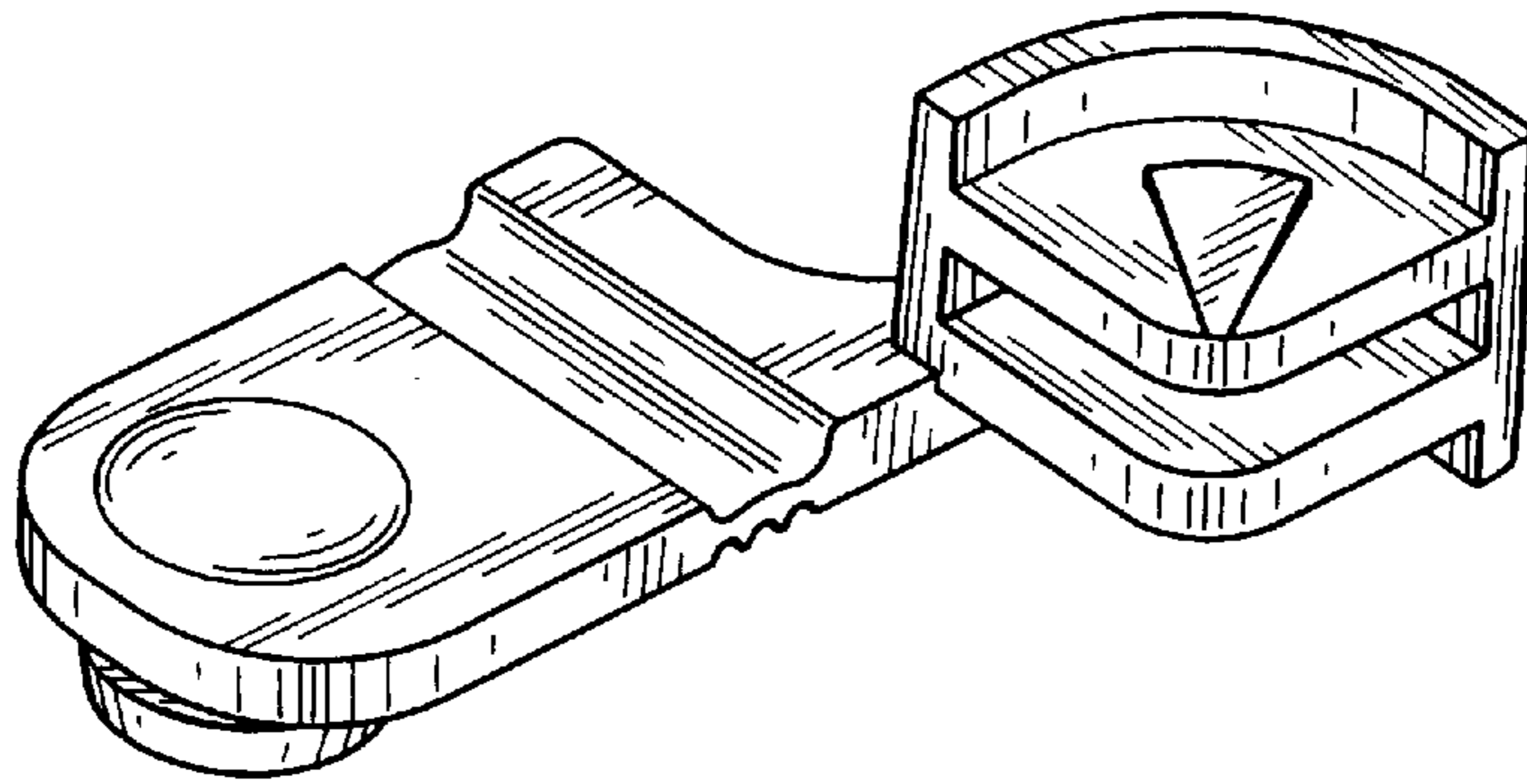


FIG. 1

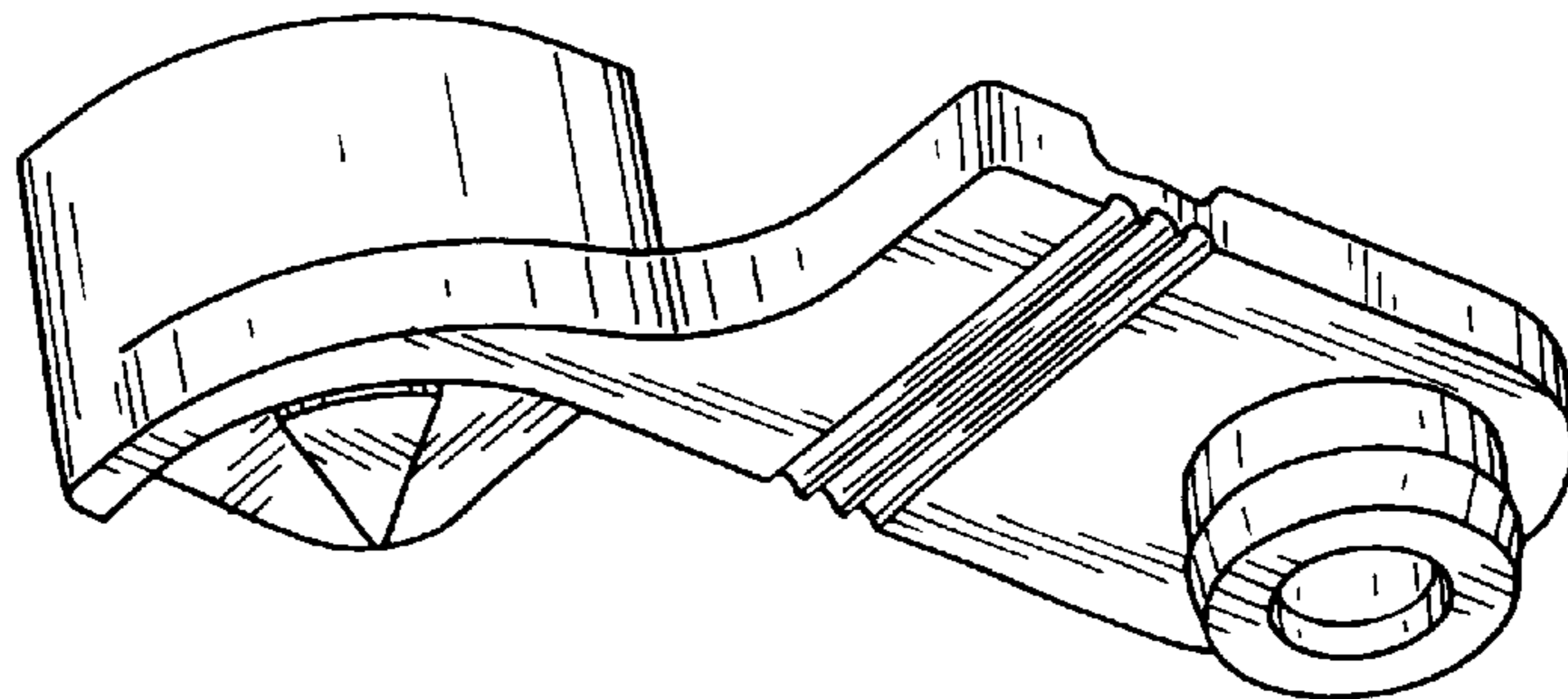


FIG. 2

FIG. 8

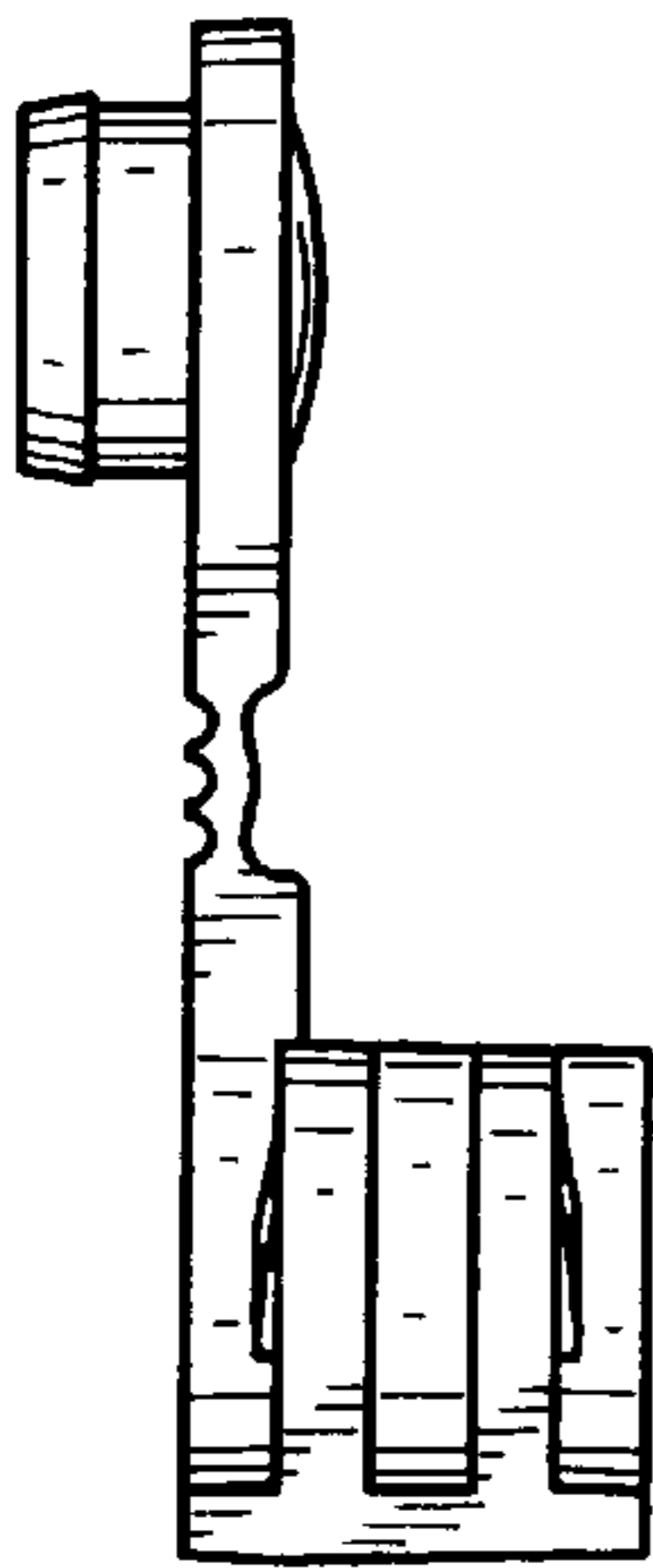
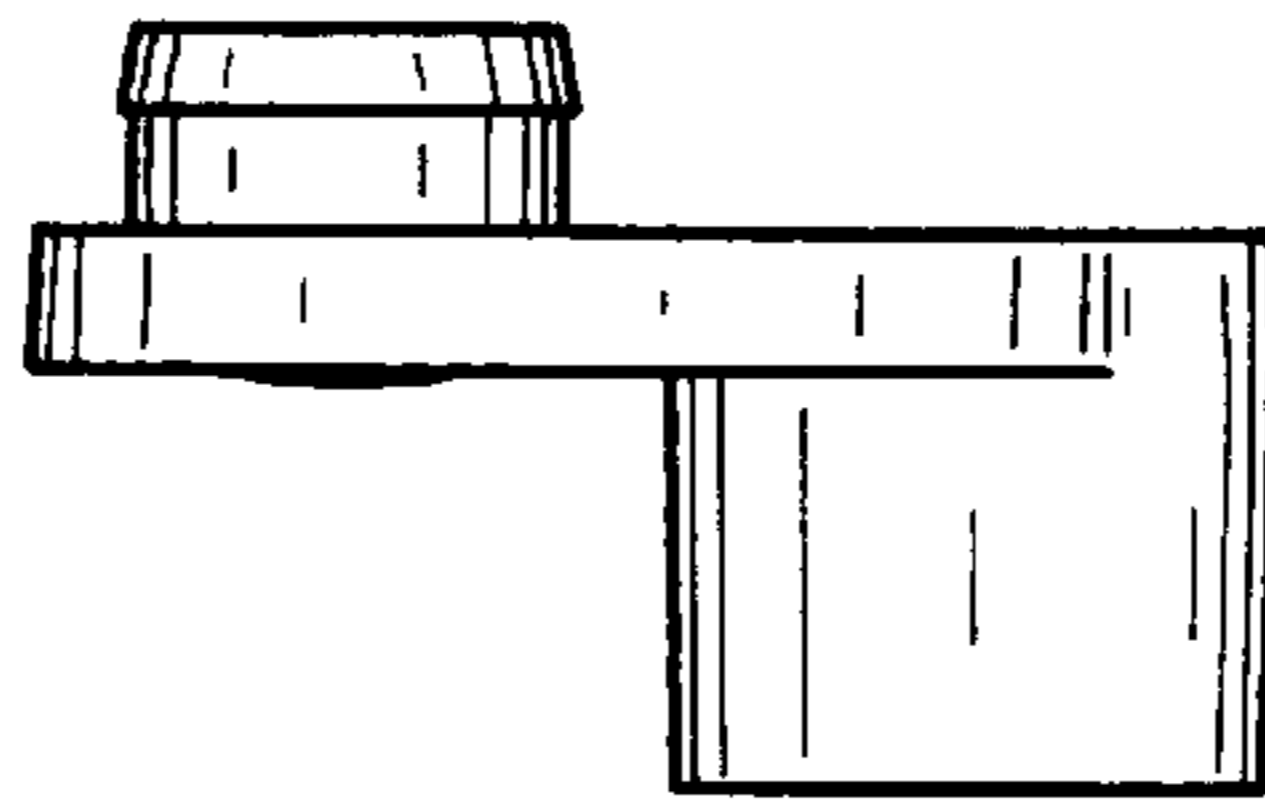


FIG. 6

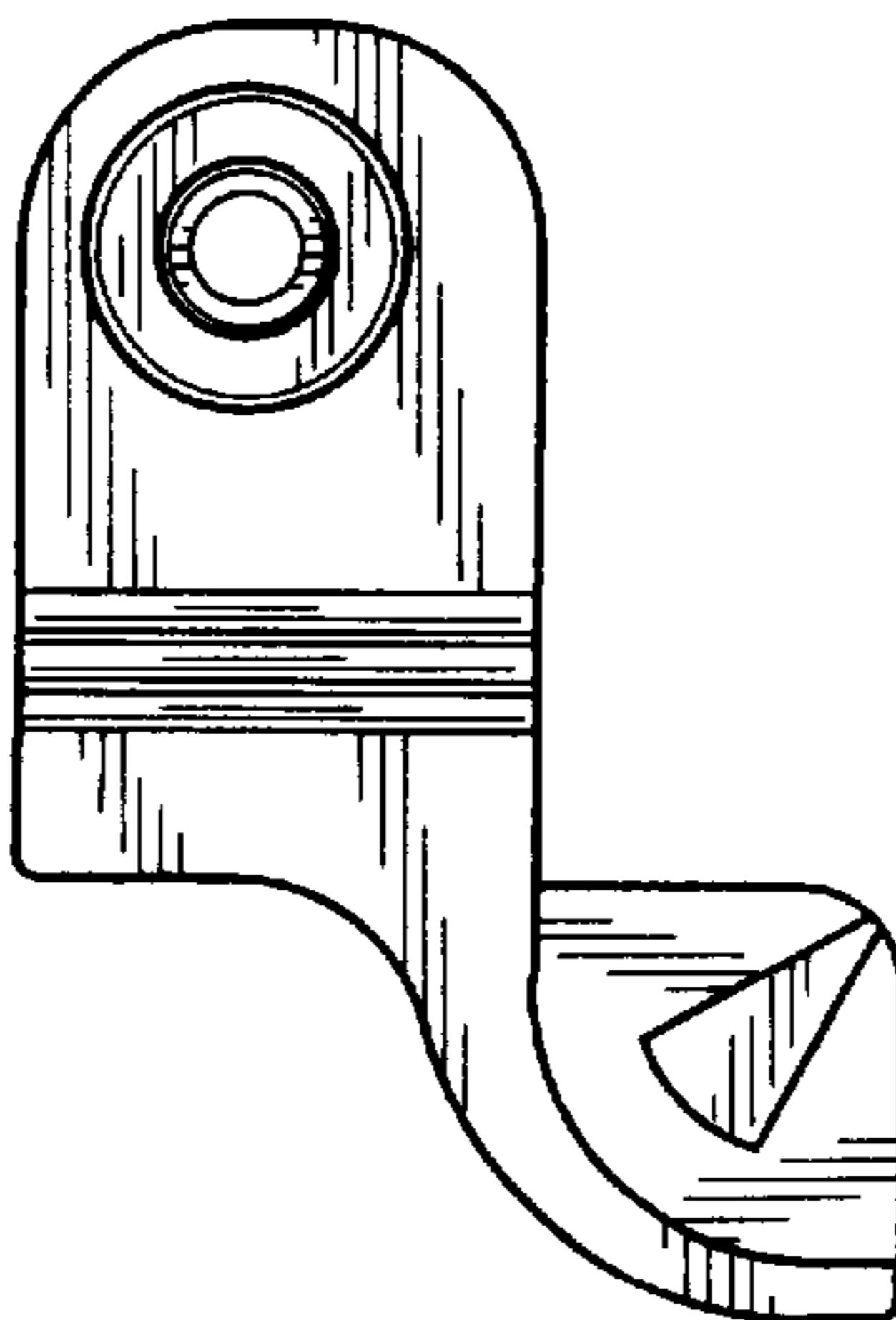


FIG. 4

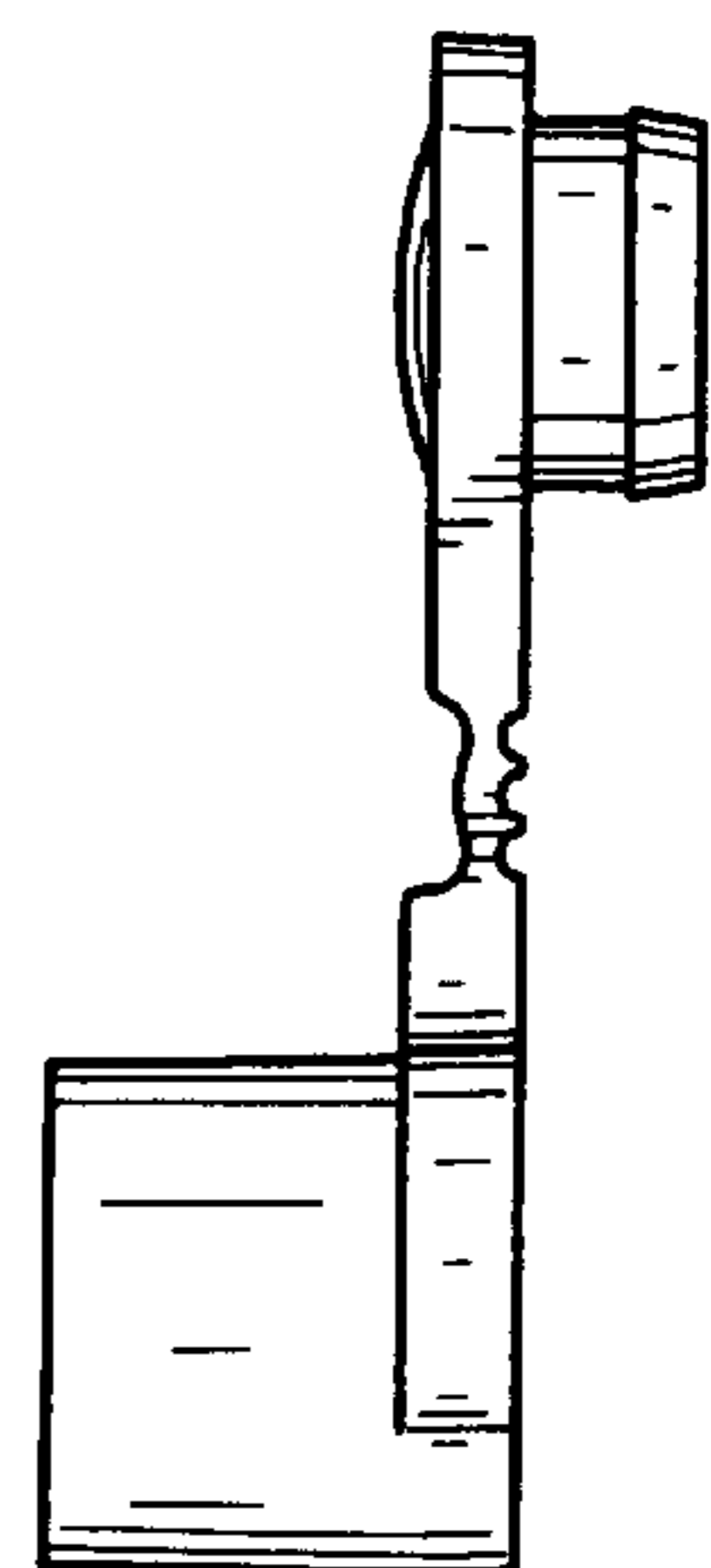


FIG. 7

FIG. 5

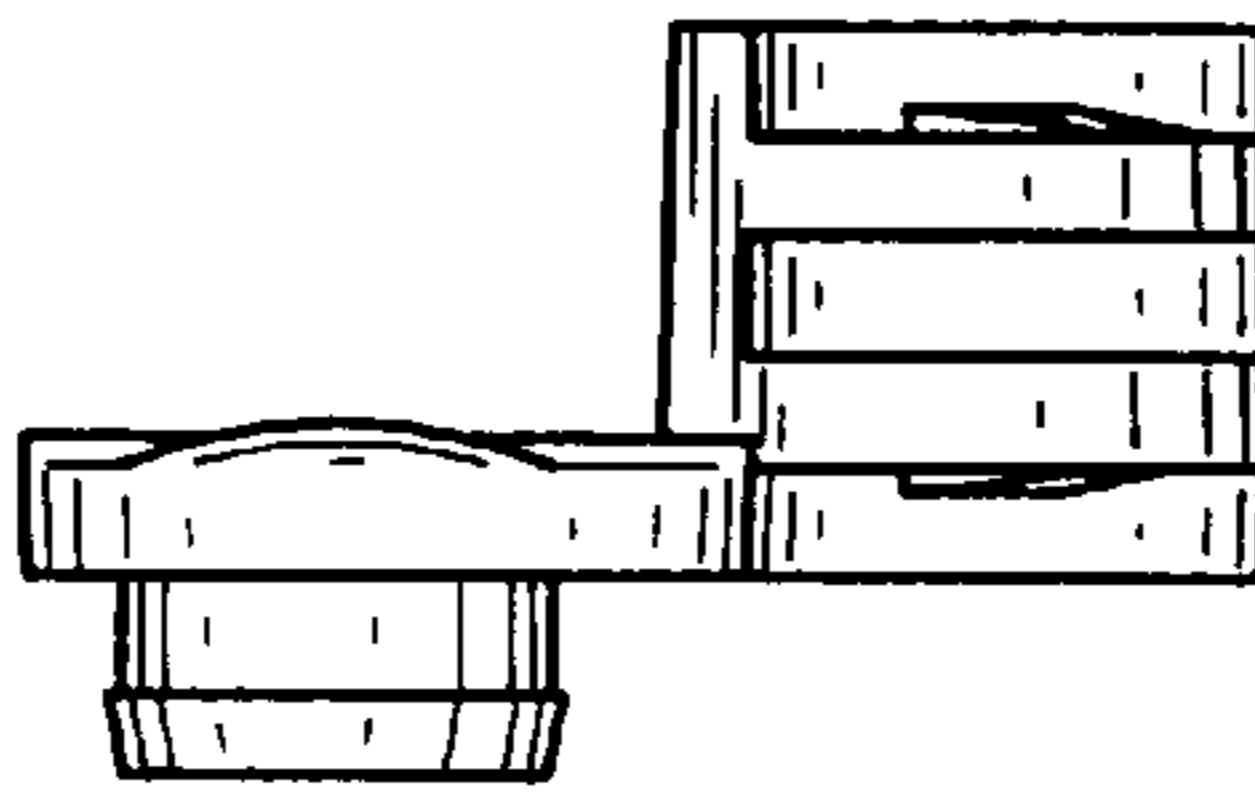


FIG. 3

