



US00D406741S

United States Patent [19] Zurwelle

[11] **Patent Number: Des. 406,741**

[45] **Date of Patent: **Mar. 16, 1999**

[54] **HAMMER DRILL**

[75] Inventor: **Donald W. Zurwelle**, Lutherville, Md.

[73] Assignee: **Black & Decker Inc.**, Newark, Del.

[**] Term: **14 Years**

[21] Appl. No.: **74,152**

[22] Filed: **Jul. 29, 1997**

[51] **LOC (6) Cl. 08-03**

[52] **U.S. Cl. D8/68**

[58] **Field of Search** D8/62, 68, 69;
81/57.11, 57.13, 57.14; 173/13, 48, 109,
112, 122, 170; 279/19.3, 62.137

[56] **References Cited**

U.S. PATENT DOCUMENTS

D. 280,797	10/1985	Sakamoto et al.	D8/68
D. 328,411	8/1992	Cavedo .	
D. 342,878	1/1994	Watanabe et al.	D8/68
D. 343,105	1/1994	Shibata et al.	D8/68
5,159,986	11/1992	Hoser	173/48

OTHER PUBLICATIONS

Black & Decker 1994 Catalog (Industry & Construction), p. 58 (Model 5070).

Bosch 1995 Catalog, p. 29 (Model No. 1195VSR).

Hitachi Catalog, p. 29 (Model No. 1195VSR).

Makita 1993 Catalog, p. 73 (Model No. HP2010N).

Milwaukee 1995 Electric Tools Catalog 195 (For Contractors and Industry, p. 48 (Model No. 5392-1).

Porter Cable 1994 Catalog, p. 59 (Model No. 7751).

Skil Heavy Duty 1995 Catalog, p. 85 (Model No. HD6876).

Primary Examiner—Antoine Duval Davis

Attorney, Agent, or Firm—Dennis A. Dearing; John D. Del Pont; Bruce S. Shapiro

[57] **CLAIM**

The ornamental design for a hammer drill, as shown and described.

DESCRIPTION

FIG. 1 is a front perspective view of a hammer drill showing my new design;

FIG. 2 is a rear elevational view thereof;

FIG. 3 is a front elevational view thereof;

FIG. 4 is a bottom plan view thereof;

FIG. 5 is a top plan view thereof;

FIG. 6 is right side elevational view thereof; and,

FIG. 7 is a left side elevational view thereof.

1 Claim, 4 Drawing Sheets

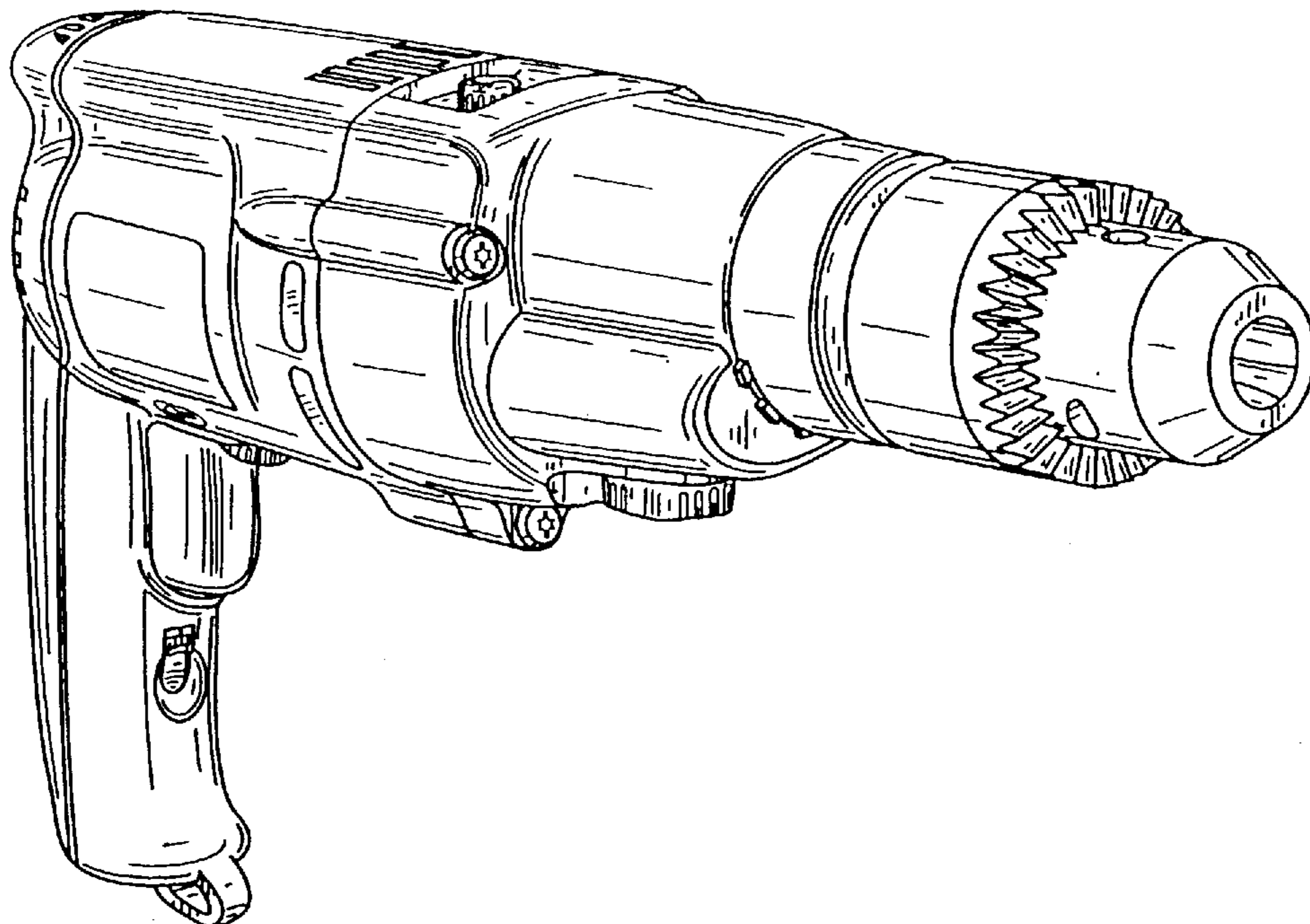


FIG. 1

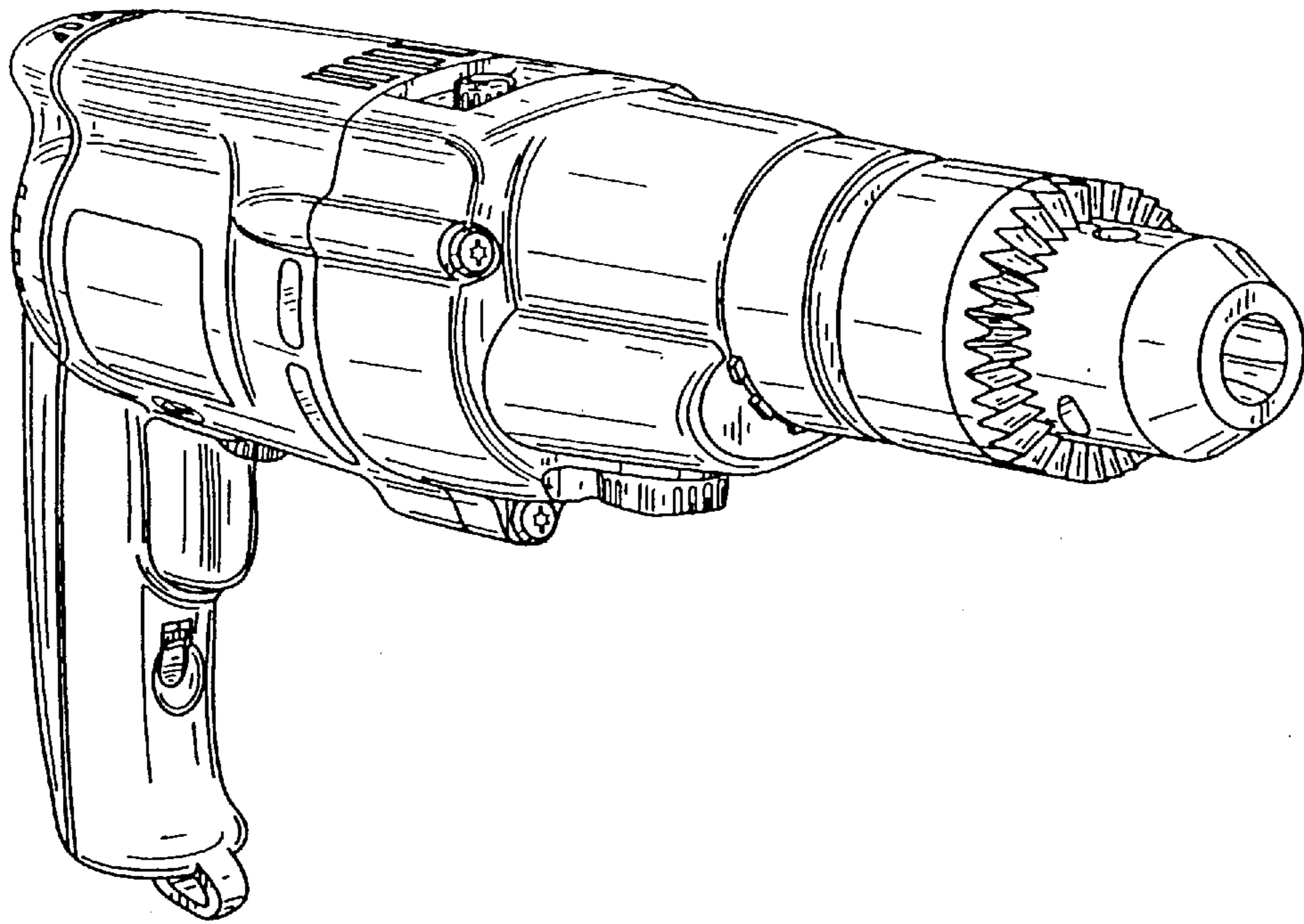


FIG. 2

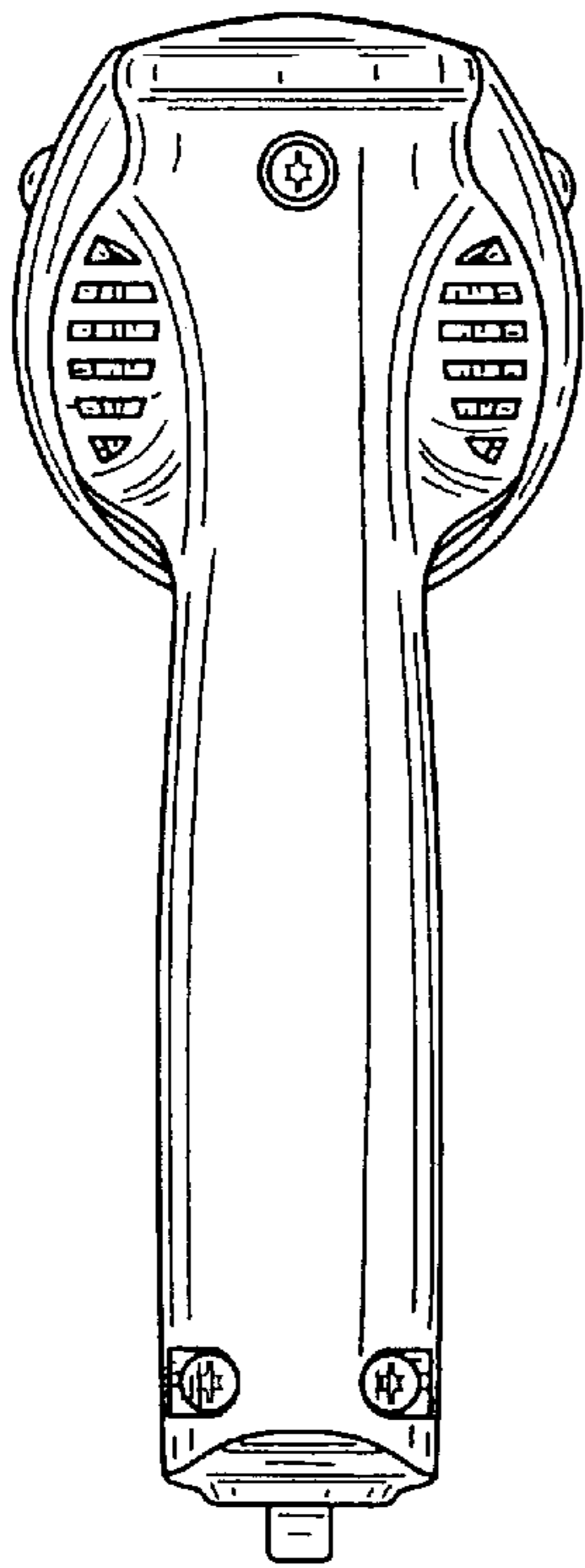


FIG. 3

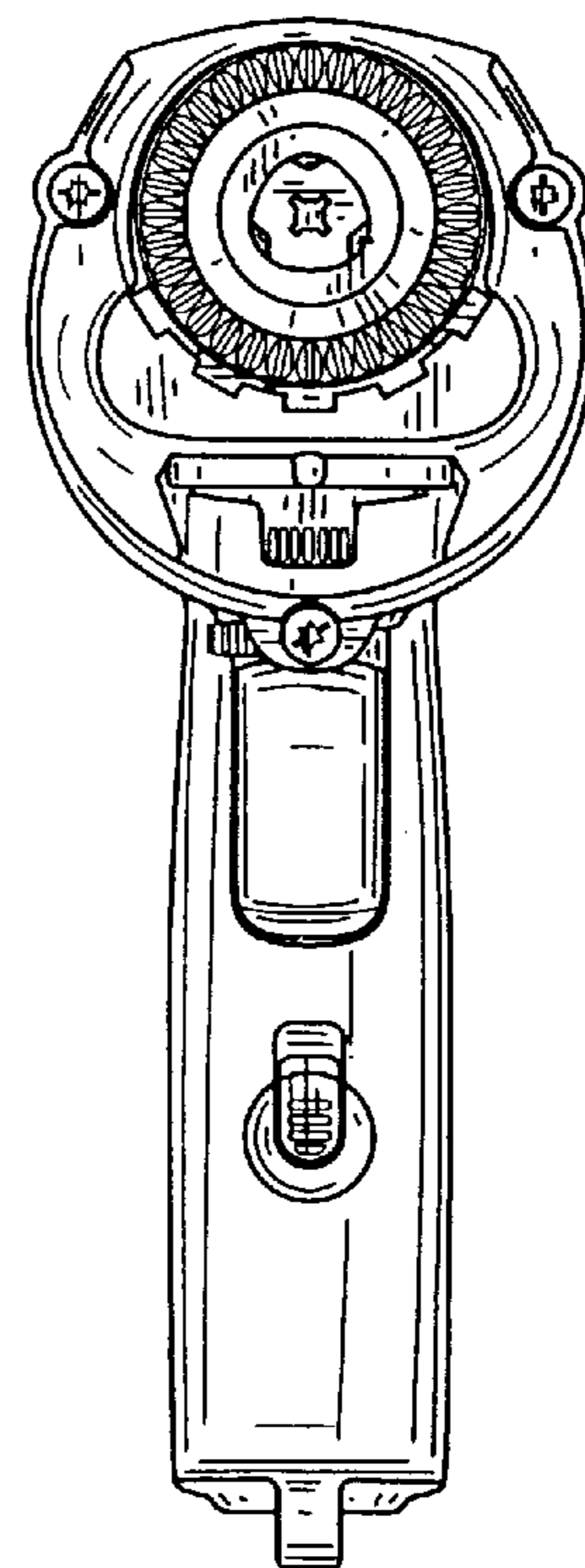


FIG. 4

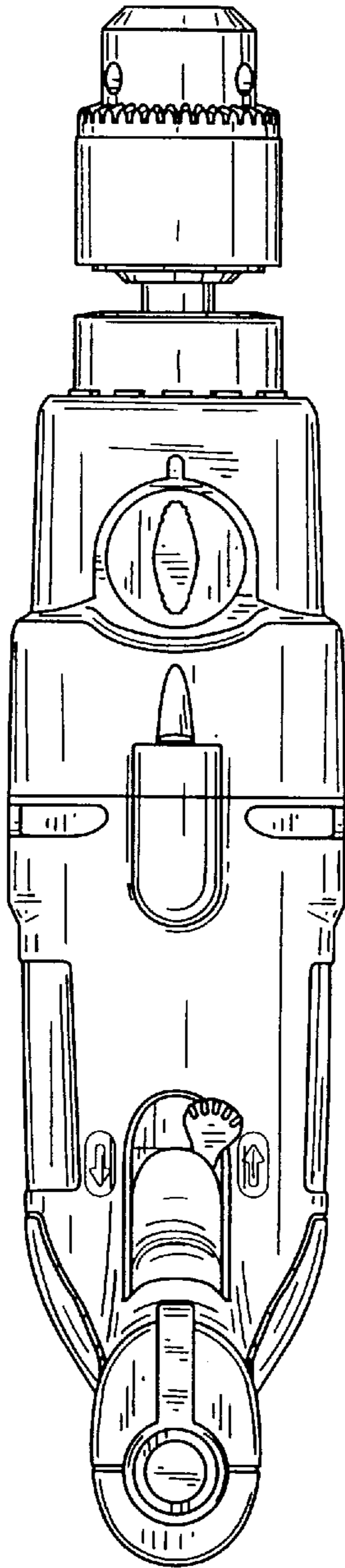


FIG. 5

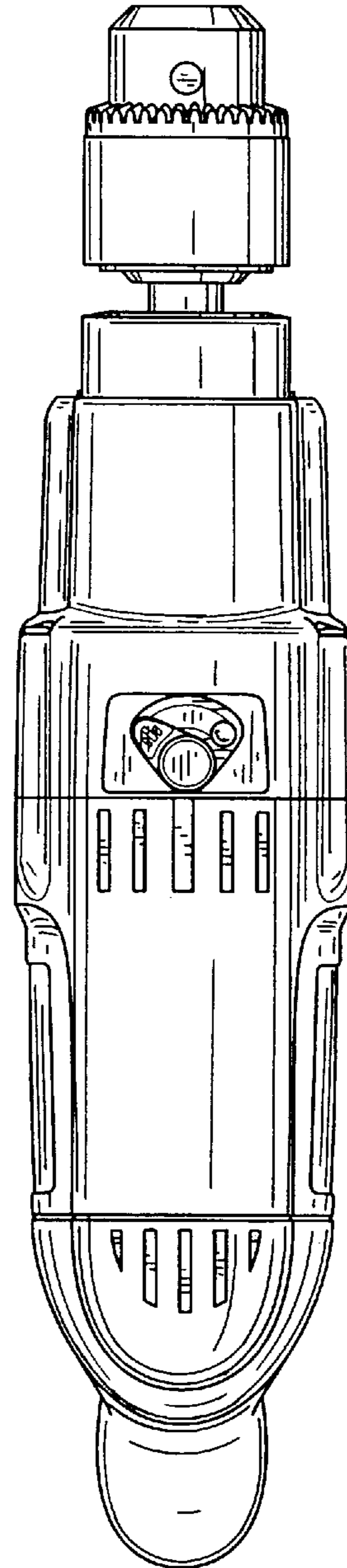


FIG. 6

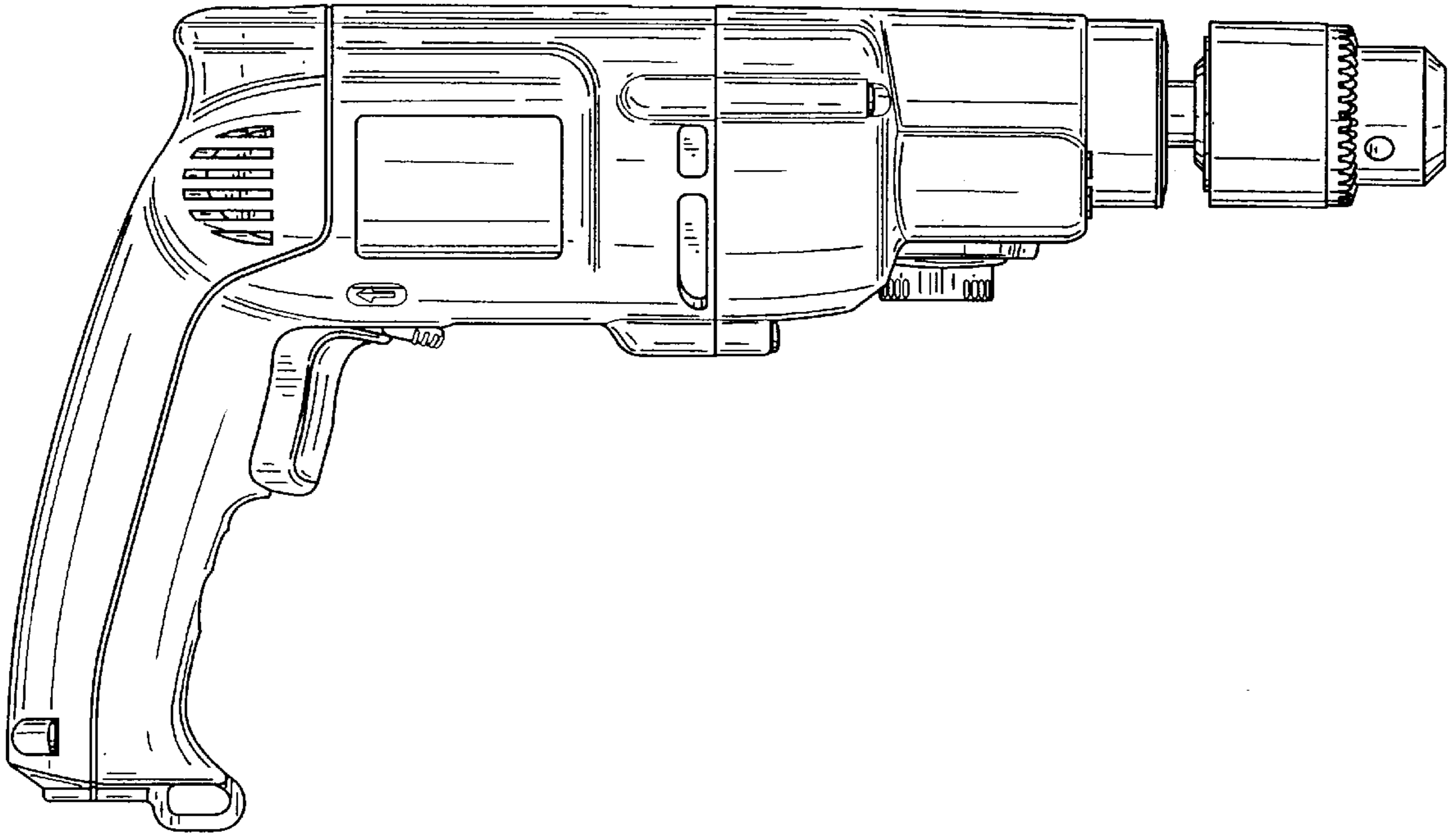


FIG. 7

