



US00D406740S

**United States Patent** [19]  
**Zurwelle**

[11] **Patent Number: Des. 406,740**

[45] **Date of Patent: \*\*Mar. 16, 1999**

[54] **SCREWDRIVER**

[75] Inventor: **Donald W. Zurwelle**, Lutherville, Md.

[73] Assignee: **Black & Decker Inc.**, Newark, Del.

[\*\*] Term: **14 Years**

[21] Appl. No.: **67,027**

[22] Filed: **Feb. 28, 1997**

[51] **LOC (6) Cl.** ..... **08-01**

[52] **U.S. Cl.** ..... **D8/68**

[58] **Field of Search** ..... D8/68; 81/57.13,  
81/57.14, 58.1, 59.1, 62, 63.1, 177.4; 173/170;  
192/43.1; 408/124, 125

[56] **References Cited**

**U.S. PATENT DOCUMENTS**

D. 280,797	10/1985	Sakamoto et al. ....	D8/68
D. 304,287	10/1989	Zurwelle .	
D. 325,860	5/1992	Fushiya et al. ....	D8/68
D. 330,152	10/1992	Ogawa et al. ....	D8/68
D. 342,878	1/1994	Watanabe et al. ....	D8/68
D. 343,105	1/1994	Shibata et al. ....	D8/68
D. 344,000	2/1994	Shibata et al. .	
D. 353,526	12/1994	Hoshino .	
5,524,512	6/1996	Wolfe .....	81/57.14 X

**OTHER PUBLICATIONS**

Black & Decker 1994 Catalog (Industry & Constructiion), p. 48 (Model 2660).

Bosch 1995 Catalog, p. 15 (Model No. 1423VSR).

Makita 1993 Catalog, p. 69 (Model No. 6801DVB).

Milwaukee 1995 Electric Tools Catalog 195 (For Contractors and Industry, p. 84 (Model No. 6543-1).

Porter Cable 1994 Catalog, p. 64 (Model No.6640).

Skil Heavy Duty 1995 Catalog, p. 88 (Model No. HD6909).

*Primary Examiner*—Antoine Duval Davis

*Attorney, Agent, or Firm*—Dennis A. Dearing; John D. Del Pont; Bruce S. Shapiro

[57] **CLAIM**

The ornamental design for a screwdriver, as shown and described.

**DESCRIPTION**

FIG. 1 is a front perspective view of a screwdriver showing my new design;

FIG. 2 is a right side elevational view thereof;

FIG. 3 is a left side elevational view thereof;

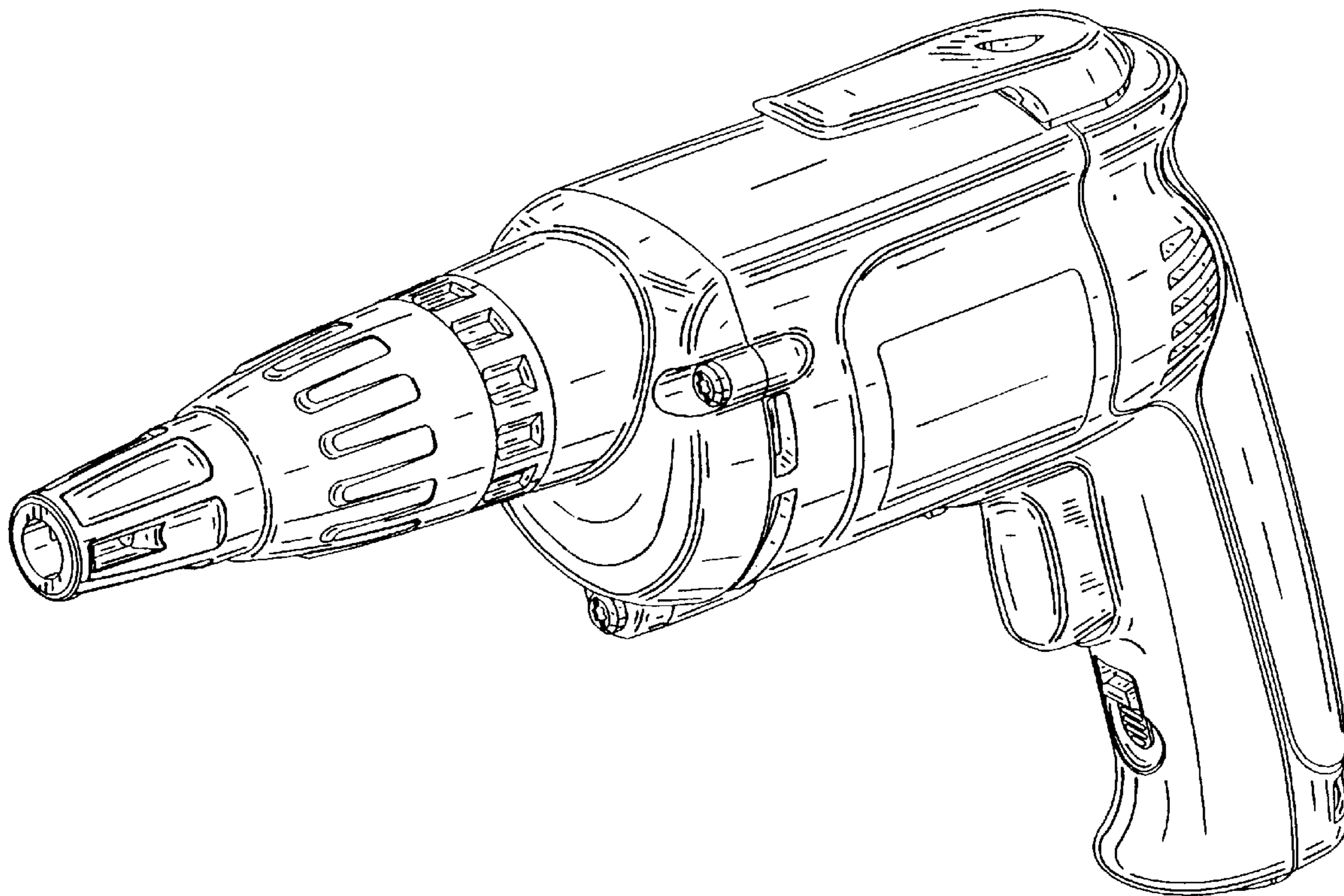
FIG. 4 is a top plan view thereof;

FIG. 5 is a bottom plan view thereof;

FIG. 6 is a front elevational view thereof; and,

FIG. 7 is a rear elevational view thereof.

**1 Claim, 5 Drawing Sheets**



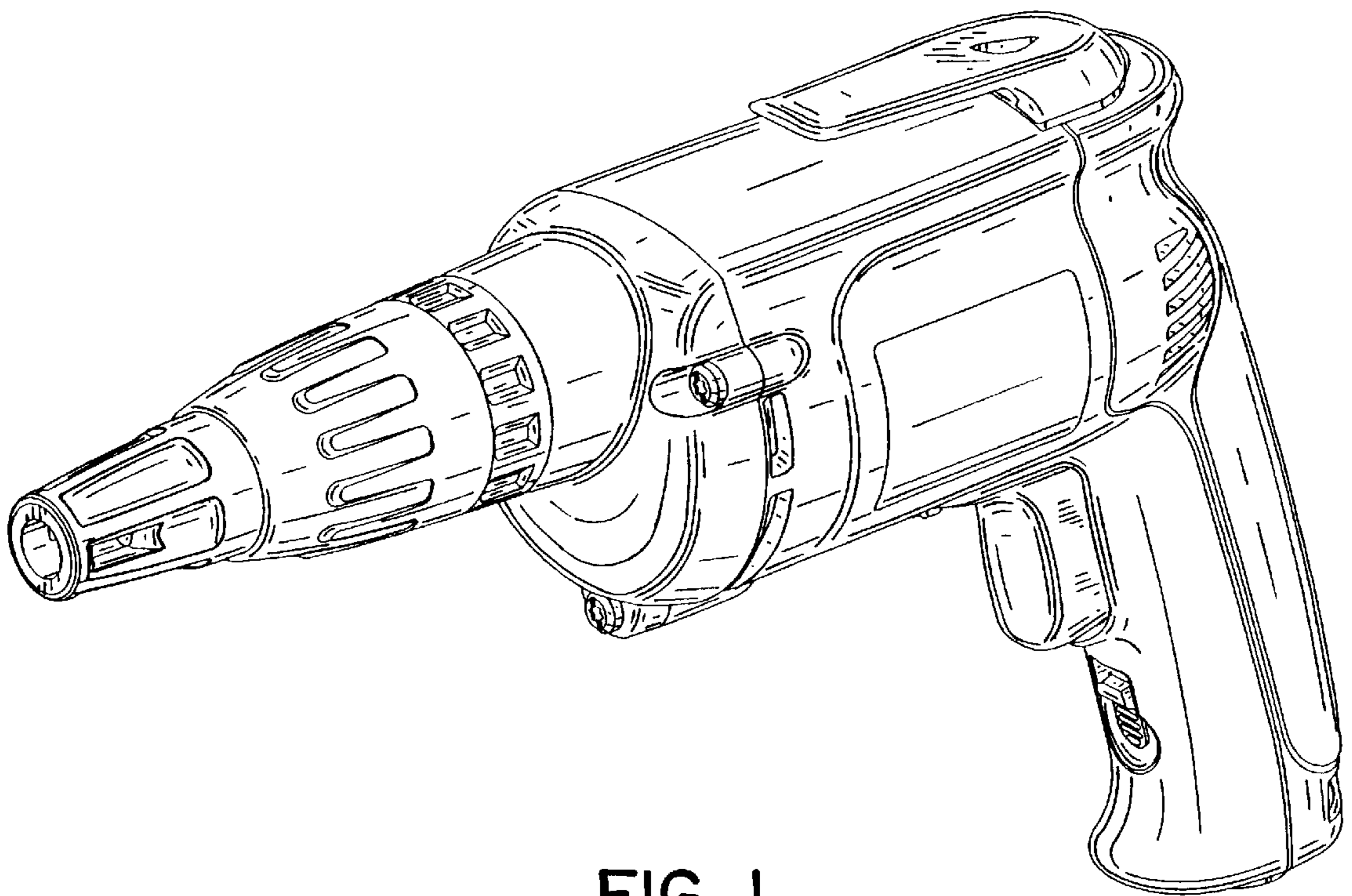


FIG. 1

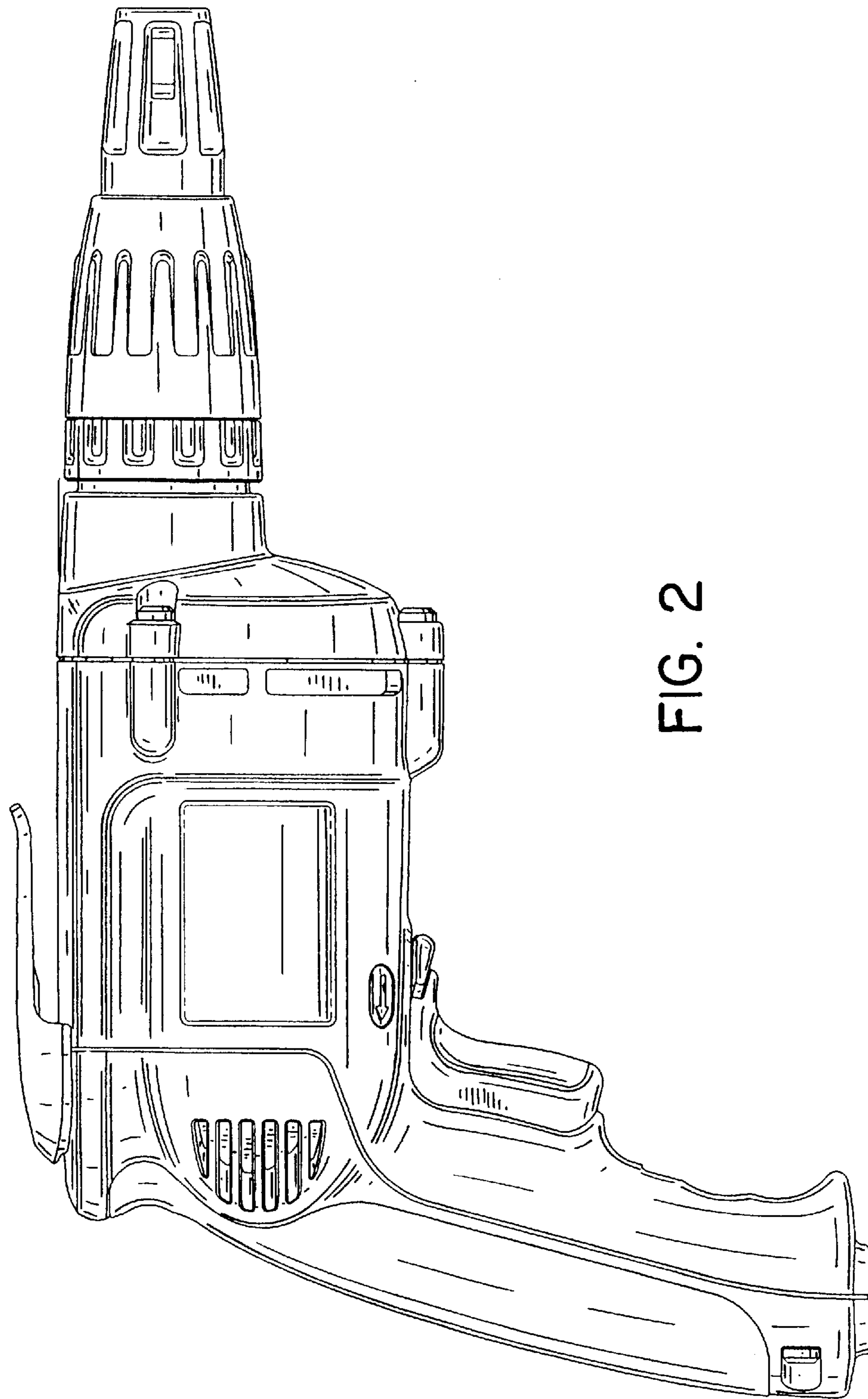


FIG. 2

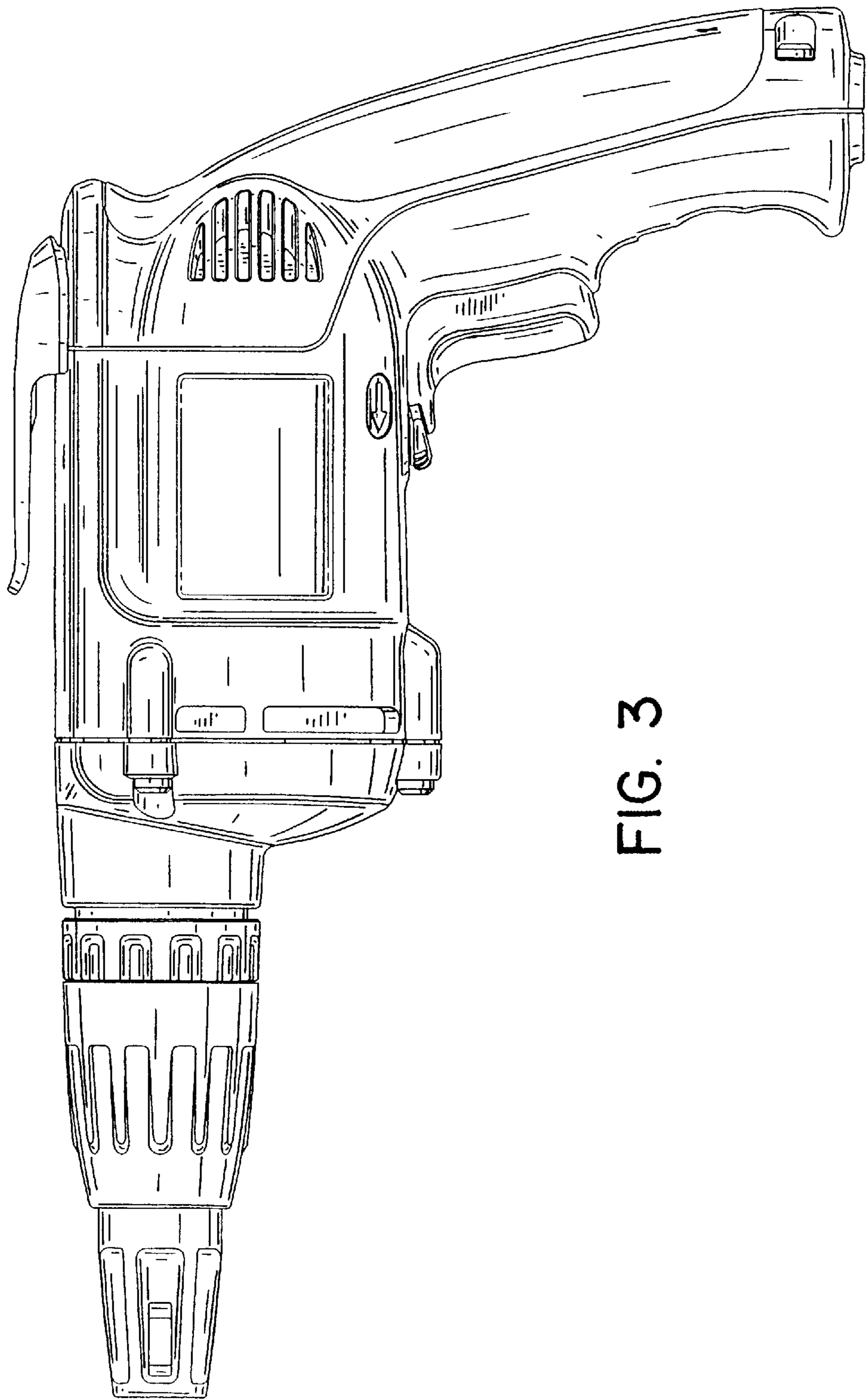


FIG. 3

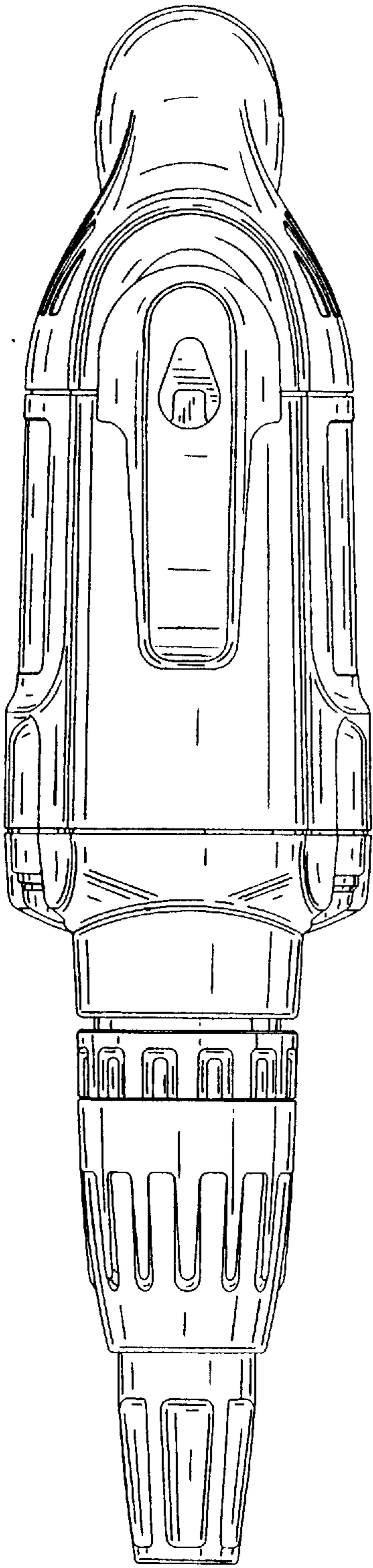


FIG. 4

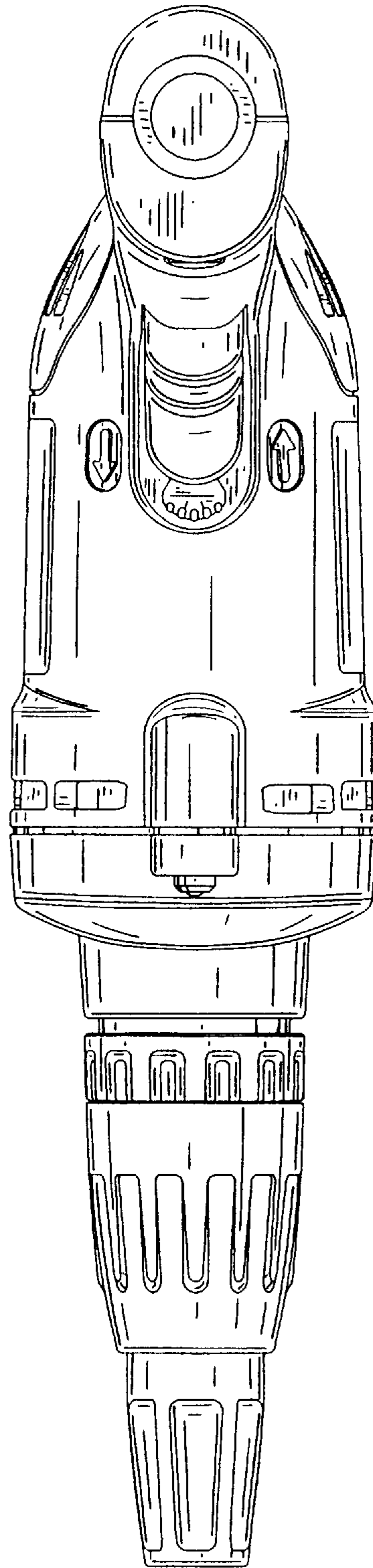


FIG. 5

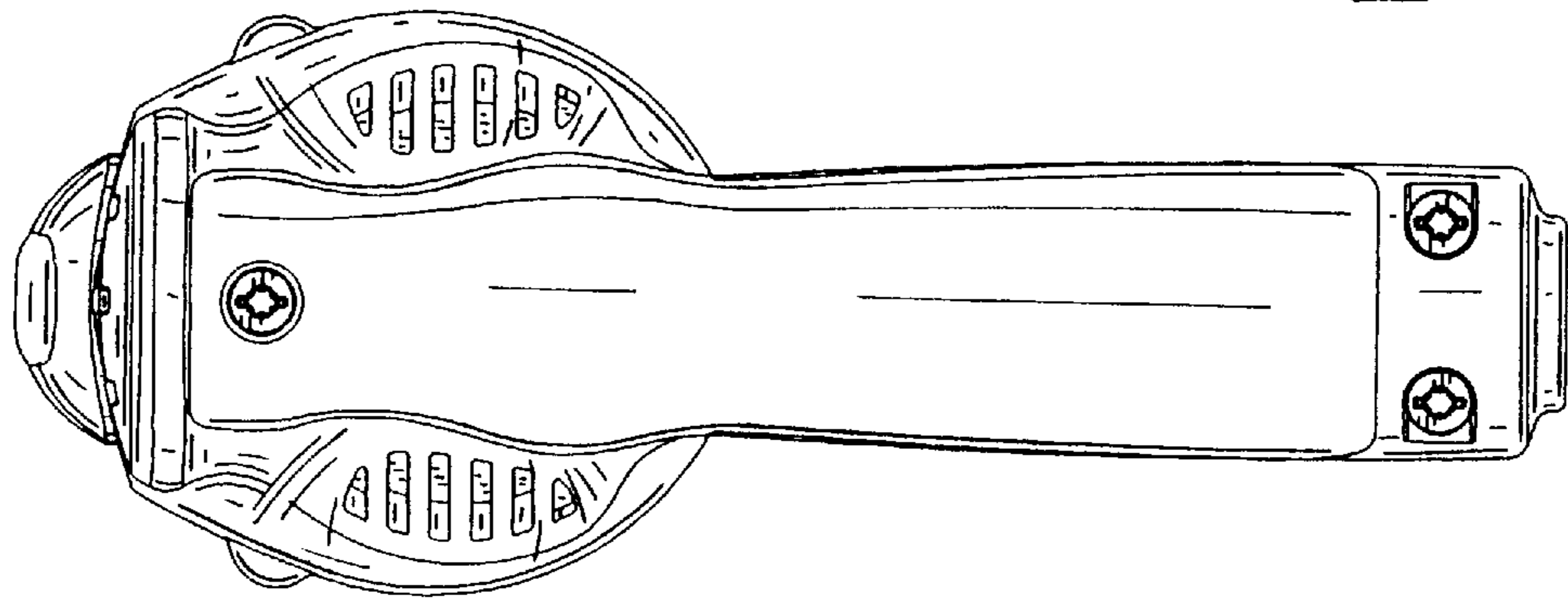


FIG. 7

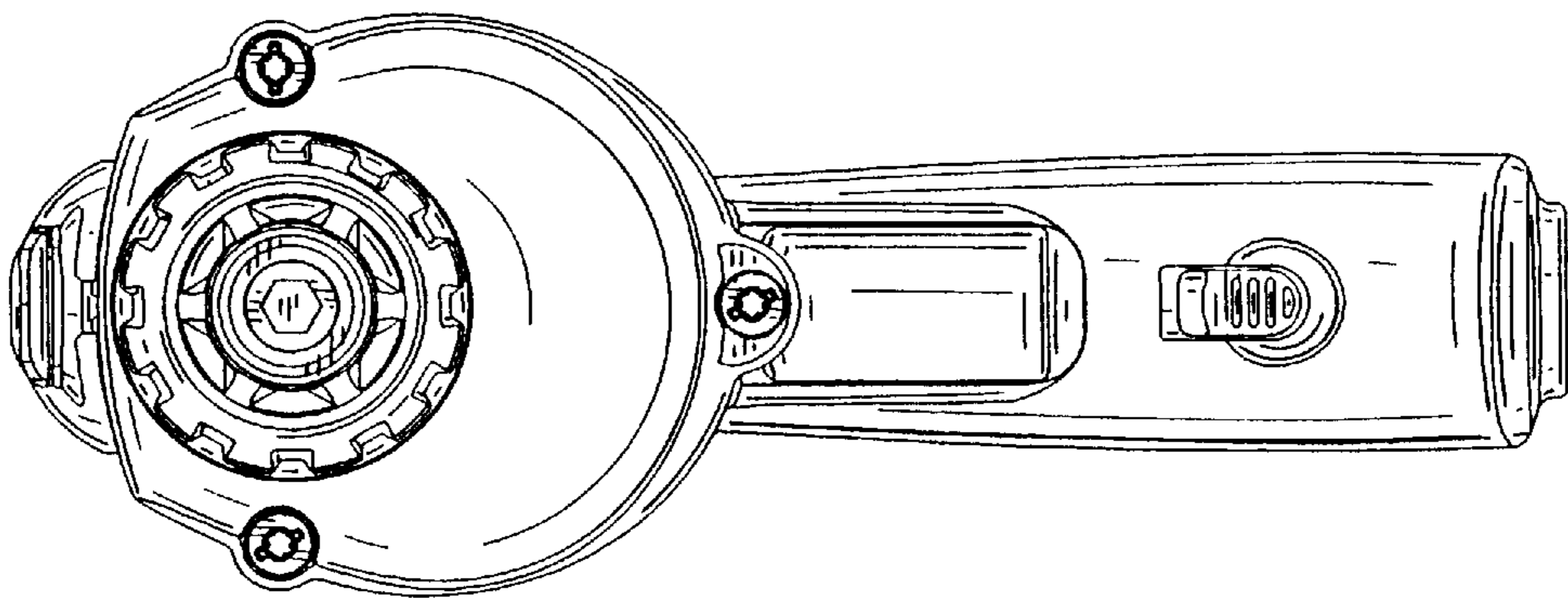


FIG. 6