

US00D406739S

United States Patent [19] Tarozzi

[11] Patent Number: Des. 406,739

[45] Date of Patent: **Mar. 16, 1999

[54] SCISSORS HANDLES

[75] Inventor: Richard A. Tarozzi, Gales Ferry, Conn.

[73] Assignee: Binney & Smith Inc., Easton, Pa.

[**] Term: 14 Years

[21] Appl. No.: 79,965

[22] Filed: Nov. 7, 1997

[51] LOC (6) Cl. 08-03

[52] U.S. Cl. D8/57

[58] Field of Search D8/57, 98; D24/143; D28/10; D19/65, 99, 100; 30/194, 195, 230-235, 238, 252, 255-257, 120, 266, 145-146, 341, 268, 254, 349, 90.4, 90.6; 81/9.4, 9.51, 415, 416; 606/174, 205; D30/158; 76/106.5

[56] References Cited

U.S. PATENT DOCUMENTS

D. 223,893	6/1972	Carter	8/5
D. 233,587	11/1974	Laurenti	8/57
D. 248,726	8/1978	Okada	8/57
D. 249,117	8/1978	Bäckström	8/57
D. 250,629	12/1978	Bäckström et al.	8/57
D. 251,701	5/1979	Hayashi	8/57
D. 254,420	3/1980	Bäckström	8/57
D. 254,421	3/1980	Bäckström	8/57
D. 255,763	7/1980	Ferguson	8/5
D. 258,042	1/1981	Bäckström	8/57
D. 258,714	3/1981	Bäckström	8/57
D. 258,798	4/1981	Ferguson	8/57
D. 266,308	9/1982	Linden	8/57
D. 266,309	9/1982	Linden	8/57
D. 267,309	12/1982	Linden	8/57
D. 267,773	2/1983	Linden	8/57
D. 272,227	1/1984	Linden et al.	8/57
D. 272,228	1/1984	Linden	8/57
D. 273,172	3/1984	Yamagishi	8/57
D. 276,975	1/1985	Wordtmann	8/57
D. 277,450	2/1985	Hayashi	8/57
D. 280,283	8/1985	Asano	8/57
D. 290,808	7/1987	Linden	8/57
291,591	1/1884	Gorton	.

D. 301,678	6/1989	Linden	8/57
D. 302,099	7/1989	Linden	8/57
D. 316,802	5/1991	Yamagishi	8/57
D. 318,780	8/1991	Bendickson et al.	8/57
D. 335,807	5/1993	Birkholz	8/57
D. 338,604	8/1993	Ramsey	8/57
D. 339,725	9/1993	Birkholz	8/57
D. 344,225	2/1994	Hendon et al.	8/57
D. 350,466	9/1994	Ramsey et al.	8/57
D. 353,087	12/1994	Ramsey et al.	8/57

(List continued on next page.)

OTHER PUBLICATIONS

- Hong Kong Enterprise, Kommax Development Ltd., Jul. 1989. p. 358.
- Schoner Wohnen, Oct. 1981.
- Honk Kong Enterprise, Winko Manufacturing Co., Wing Kwong Scissors Factory, Ltd., Mar. 1989, p. 362.
- Flyer, Famous European Design—Scissors Molded to Your Hand, Sep. 1975.
- Office Products Catalog 1978, p. 310.
- Binney & Smith Inc. Catalog 1997, Crayola Scissors, p. 10.

Primary Examiner—Jeffrey Asch
Attorney, Agent, or Firm—Leydig, Voit & Mayer, Ltd.

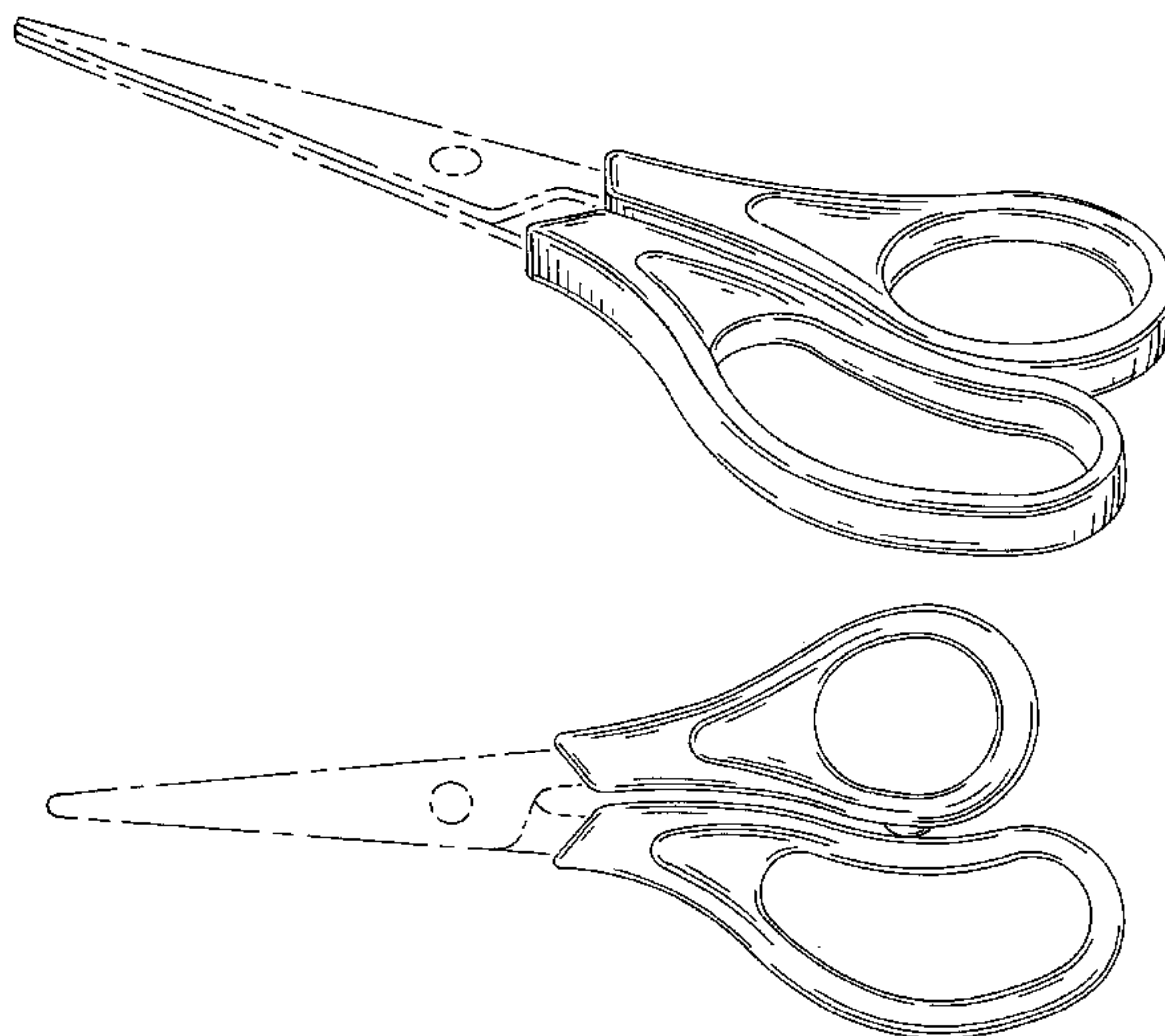
[57] CLAIM

The ornamental design for scissors handles, as shown and described.

DESCRIPTION

FIG. 1 is a right front top perspective view of the scissors handles;
 FIG. 2 is a top view thereof.
 FIG. 3 is a right side view thereof;
 FIG. 4 is a left side view thereof;
 FIG. 5 is a rera view thereof;
 FIG. 6 is a front view thereof;
 FIG. 7 is a bottom view thereof; and,
 FIG. 8 is a top view thereof in the open position.
 The broken line showings throughout the views of scissor blades are for illustrative purposes only and form no part of the claimed design.

1 Claim, 2 Drawing Sheets



U.S. PATENT DOCUMENTS					
			3,735,763	5/1973	Shannon et al. 128/322
D. 354,423	1/1995	Birkholz	3,827,316	8/1974	Laurenti
D. 354,890	1/1995	Concari et al.	3,869,792	3/1975	Laurenti
D. 358,748	5/1995	Ramsey et al.	3,921,640	11/1975	Freeborn
D. 361,026	8/1995	Ramsey	3,951,013	4/1976	Laurenti
D. 361,705	8/1995	Birkholz	3,987,542	10/1976	Visco
D. 363,866	11/1995	Ramsey et al.	4,037,276	7/1977	Brinker
D. 365,004	12/1995	Ramsey et al.	4,048,721	9/1977	Gunson
D. 365,005	12/1995	Birkholz	4,074,430	2/1978	Sugiyama
D. 380,657	7/1997	Cornell	4,092,776	6/1978	Ferguson
D. 393,404	4/1998	Jacquet	4,193,189	3/1980	Marin
D. 395,992	7/1998	Bennett et al.	4,250,620	2/1981	Nishikawa
1,317,041	9/1919	Scott .	4,279,076	7/1981	Jackson
1,632,284	6/1927	Gardiner .	4,406,063	9/1983	Zaitz
2,048,660	7/1936	Jones	4,435,901	3/1984	Nishikawa
2,069,636	2/1937	Wilson	4,602,431	7/1986	Keel
2,281,716	5/1942	Rudd	4,715,122	12/1987	Linden
2,284,664	6/1942	Kissling	4,914,820	4/1990	Saito
2,626,460	1/1953	Wahl	5,086,563	2/1992	Sakuma et al.
2,677,179	5/1954	Servilla	5,179,783	1/1993	Melter
2,682,108	6/1954	Shaler	5,297,343	3/1994	Melter et al.
2,794,249	6/1957	Mainhardt et al.	5,341,573	8/1994	Linden et al.
3,046,655	7/1962	Sproson	5,499,454	3/1996	Compton
3,453,731	7/1969	Wertepny	5,517,761	5/1996	Wang
3,711,950	1/1973	Students	5,636,443	6/1997	Linden

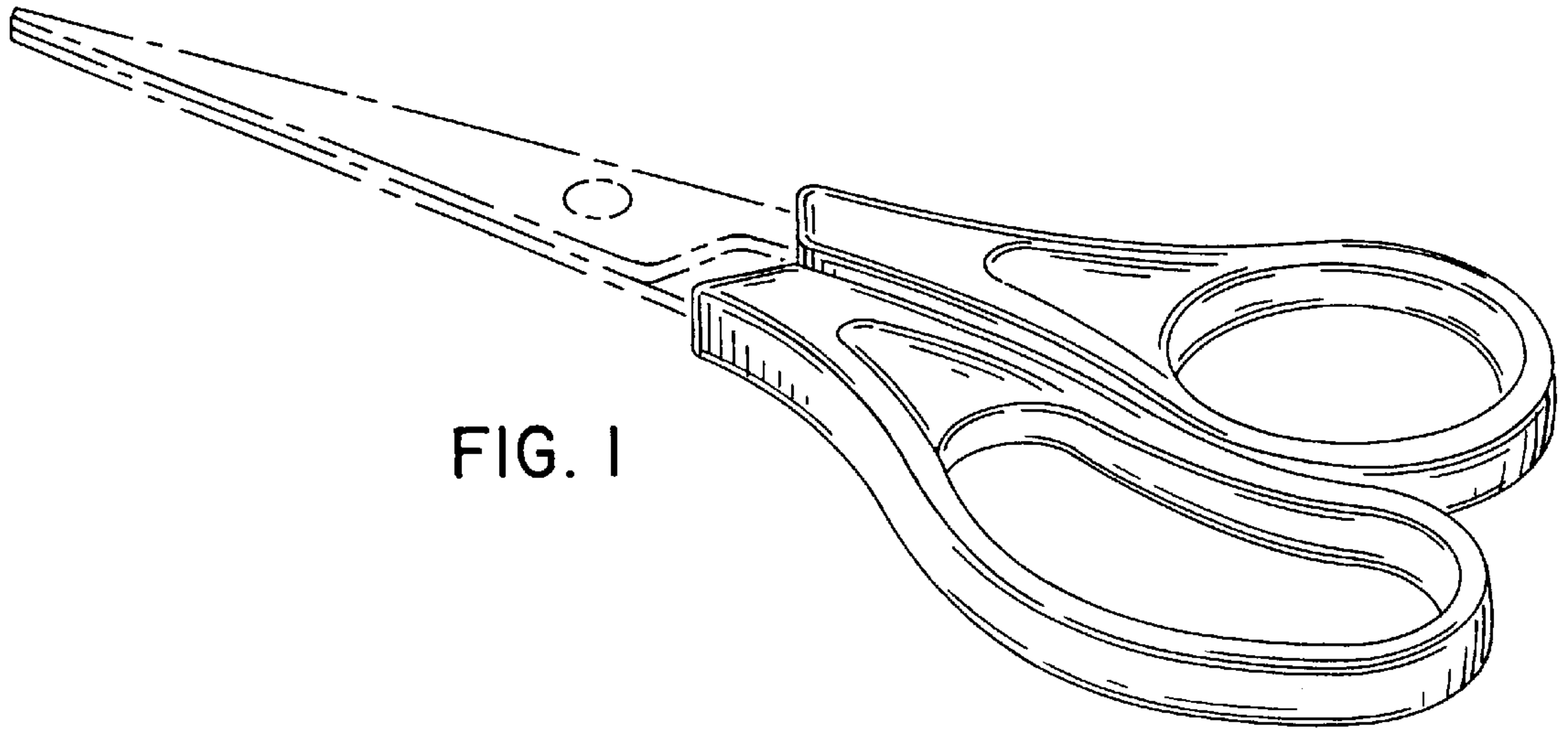


FIG. 1

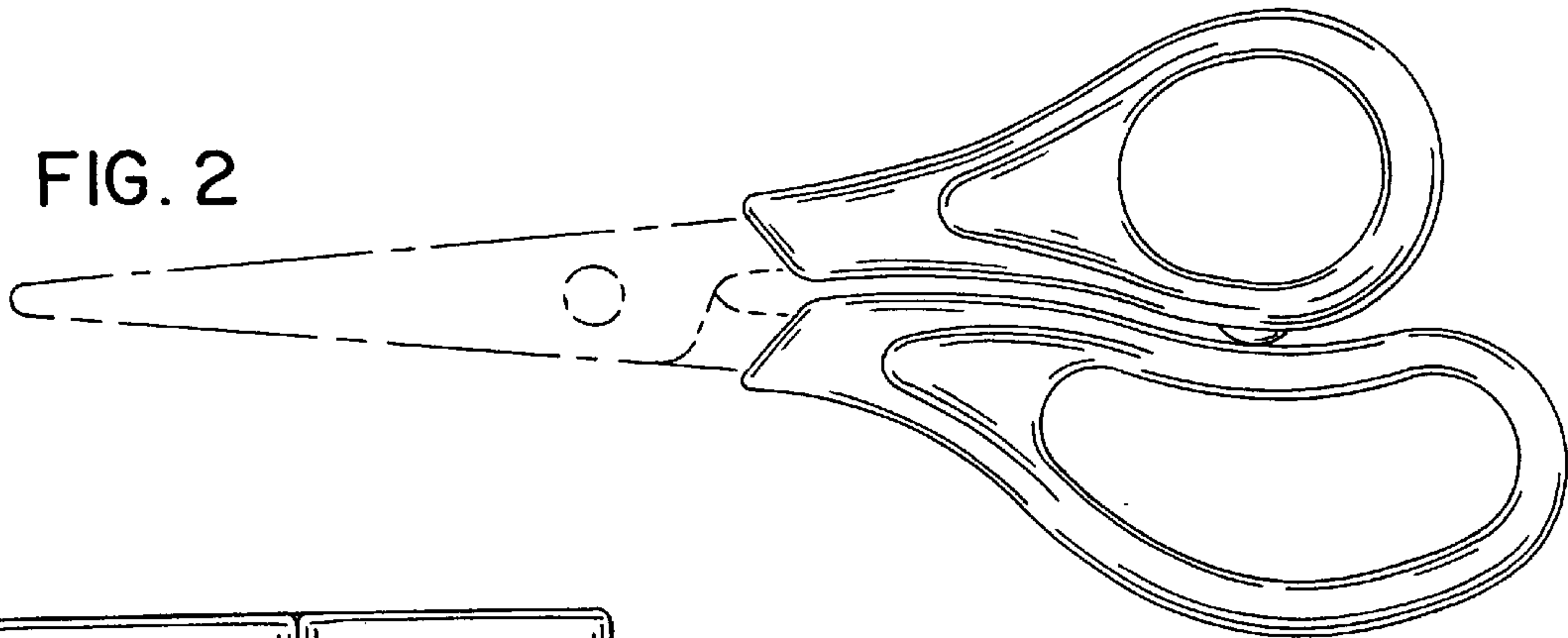


FIG. 2



FIG. 3

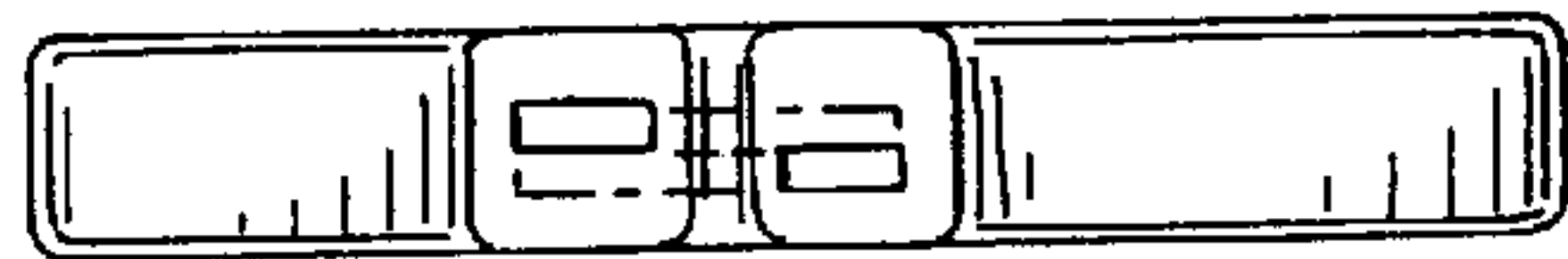


FIG. 4

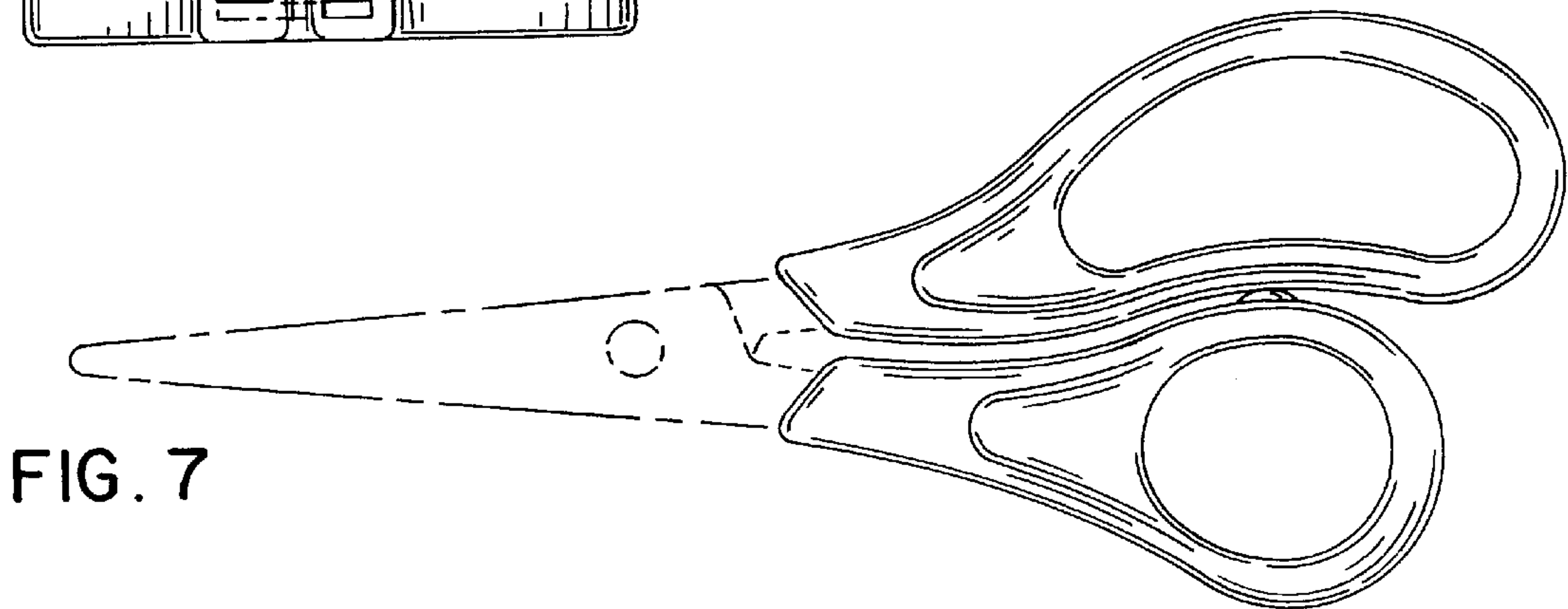


FIG. 7

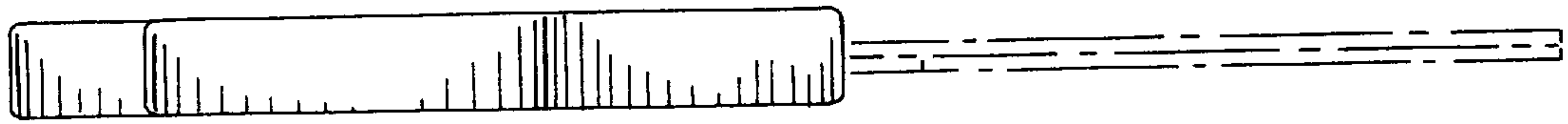


FIG. 5

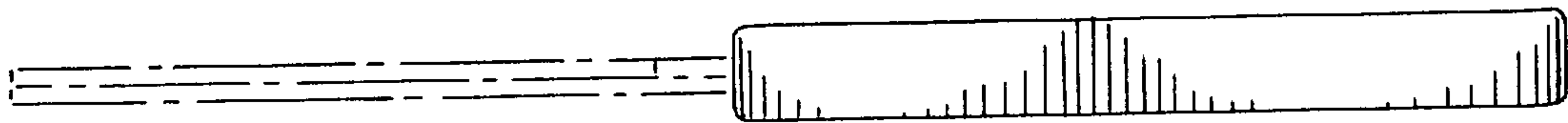


FIG. 6

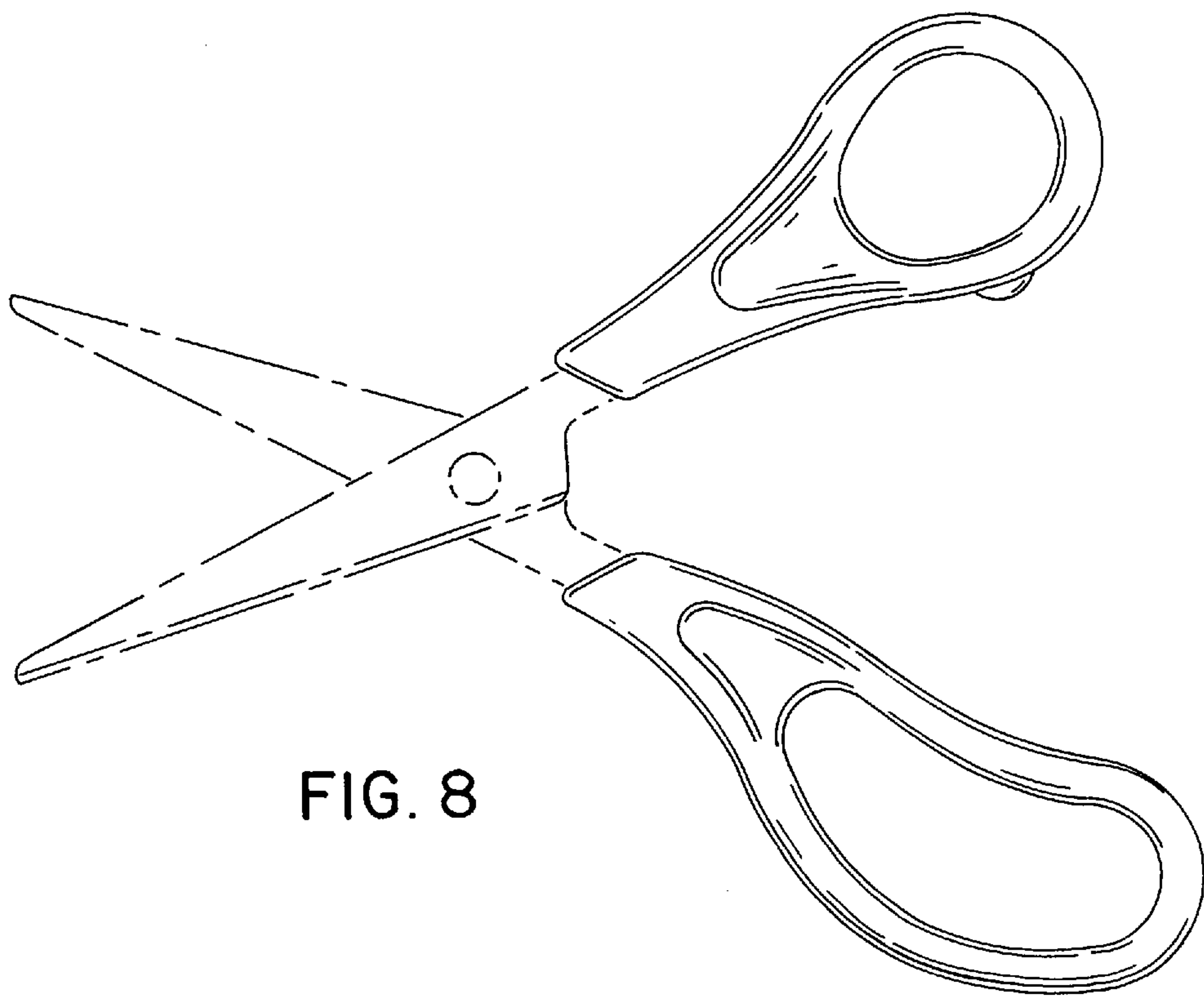


FIG. 8

UNITED STATES PATENT AND TRADEMARK OFFICE
CERTIFICATE OF CORRECTION

PATENT NO. : Des. 406,739
DATED : March 16, 1998
INVENTOR(S) : Tarozzi

It is certified that error appears in the above-identified patent and that said Letters Patent is hereby corrected as shown below:

“FIG. 5 is a rera” should be “FIG. 5 is a rear”

Signed and Sealed this
Fifteenth Day of June, 1999

Attest:



Q. TODD DICKINSON

Attesting Officer

Acting Commissioner of Patents and Trademarks