



US00D406737S

United States Patent [19]
Farnham

[11] **Patent Number: Des. 406,737**

[45] **Date of Patent: **Mar. 16, 1999**

[54] **SELF-IGNITING PISTOL GRIP PROPANE TORCH**

[75] Inventor: **Gilbert R. Farnham**, Sycamore, Ill.
[73] Assignee: **Cooper Industries, Inc.**, Houston, Tex.
[**] Term: **14 Years**

[21] Appl. No.: **28,758**
[22] Filed: **Sep. 22, 1994**

[51] **LOC (6) Cl.** **08-05**
[52] **U.S. Cl.** **D8/29.1; D8/68**
[58] **Field of Search** **D8/29.1, 30, 61, D8/68; D15/144.2; 431/127, 128, 265**

[56] **References Cited**
PUBLICATIONS

Master Model 1000 Heat Gun, Master Appliance Corp. *Heat Tools For Industry* Catalog, Catalog cover and p. 3.

Primary Examiner—James M. Gandy
Assistant Examiner—Robert M. Spear
Attorney, Agent, or Firm—Burns, Doane, Swecker & Mathis LLP

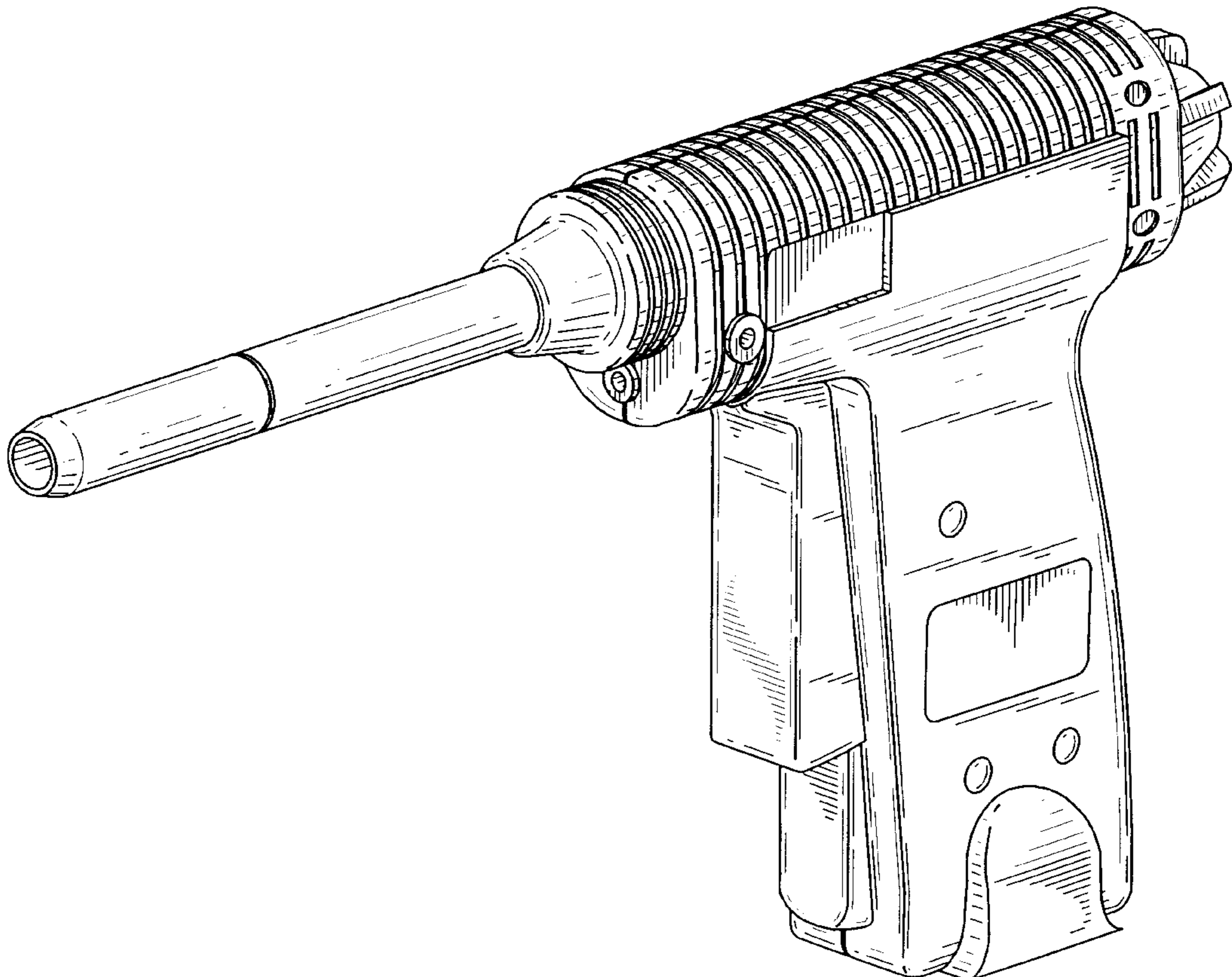
[57] **CLAIM**

The ornamental design for a self-igniting pistol grip propane torch, as shown and described.

DESCRIPTION

FIG. 1 is a left front perspective view of the self-igniting pistol grip propane torch showing my new design; FIG. 2 is a left side elevational view thereof; FIG. 3 is a right side elevational view thereof; FIG. 4 is a front elevational view thereof; FIG. 5 is a rear elevational view thereof; FIG. 6 is a top plan view thereof; FIG. 7 is a bottom plan view thereof; FIG. 8 is a right side elevational view showing a first alternate embodiment, whose left side elevation is a mirror image of FIG. 8; FIG. 9 is a front elevational view of the first alternate embodiment; FIG. 10 is a rear elevational view of the first alternate embodiment; FIG. 11 is a top plan view of the first alternate embodiment; FIG. 12 is a bottom plan view of the first alternate embodiment; FIG. 13 is a right side elevational view showing a second alternate embodiment whose left side elevation is a mirror image of FIG. 13; FIG. 14 is a front elevational view of the second alternate embodiment; FIG. 15 is a rear elevational view of the second alternate embodiment; FIG. 16 is a top plan view of the second alternate embodiment; and, FIG. 17 is a bottom plan view of the second alternate embodiment.

1 Claim, 11 Drawing Sheets



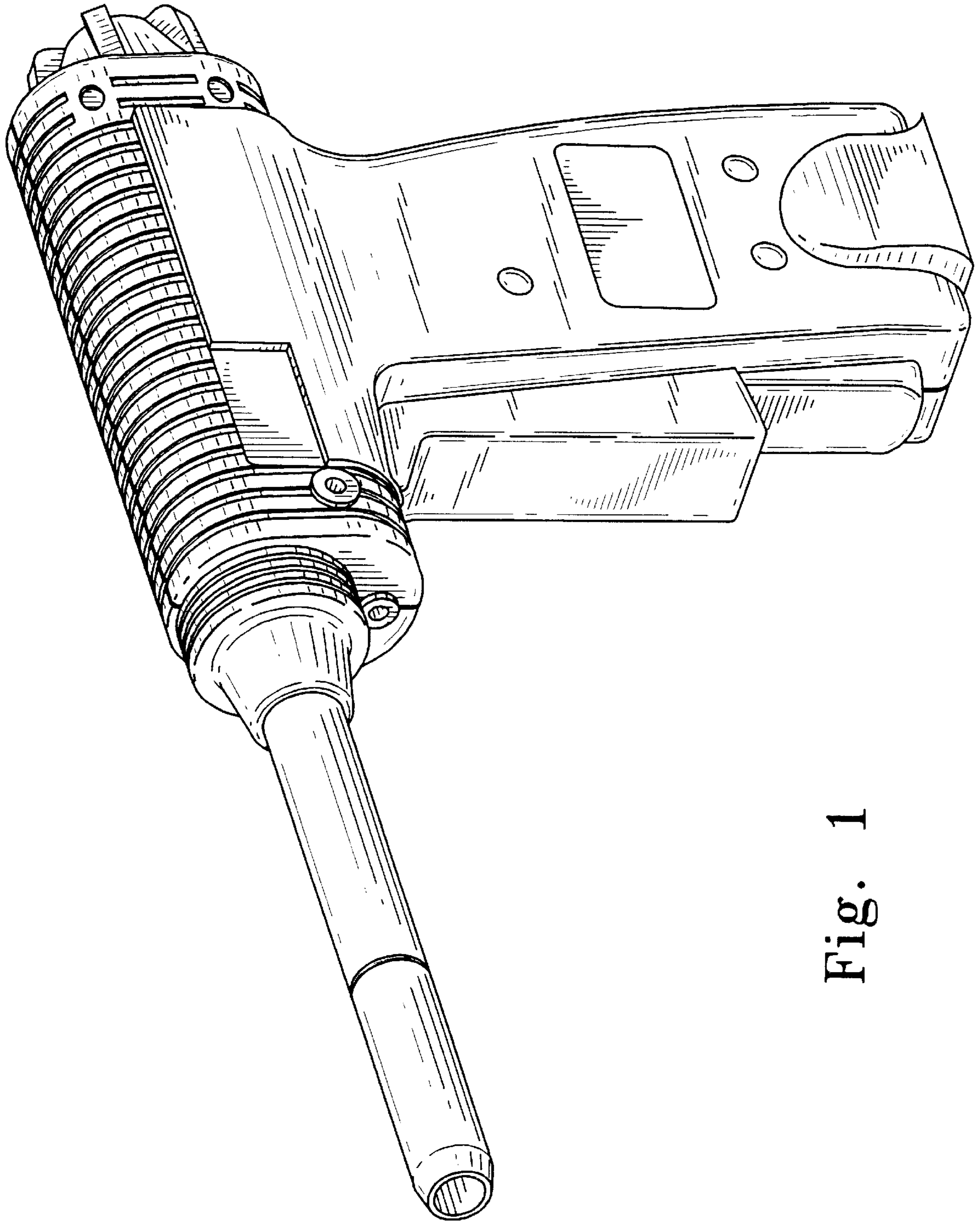


Fig. 1

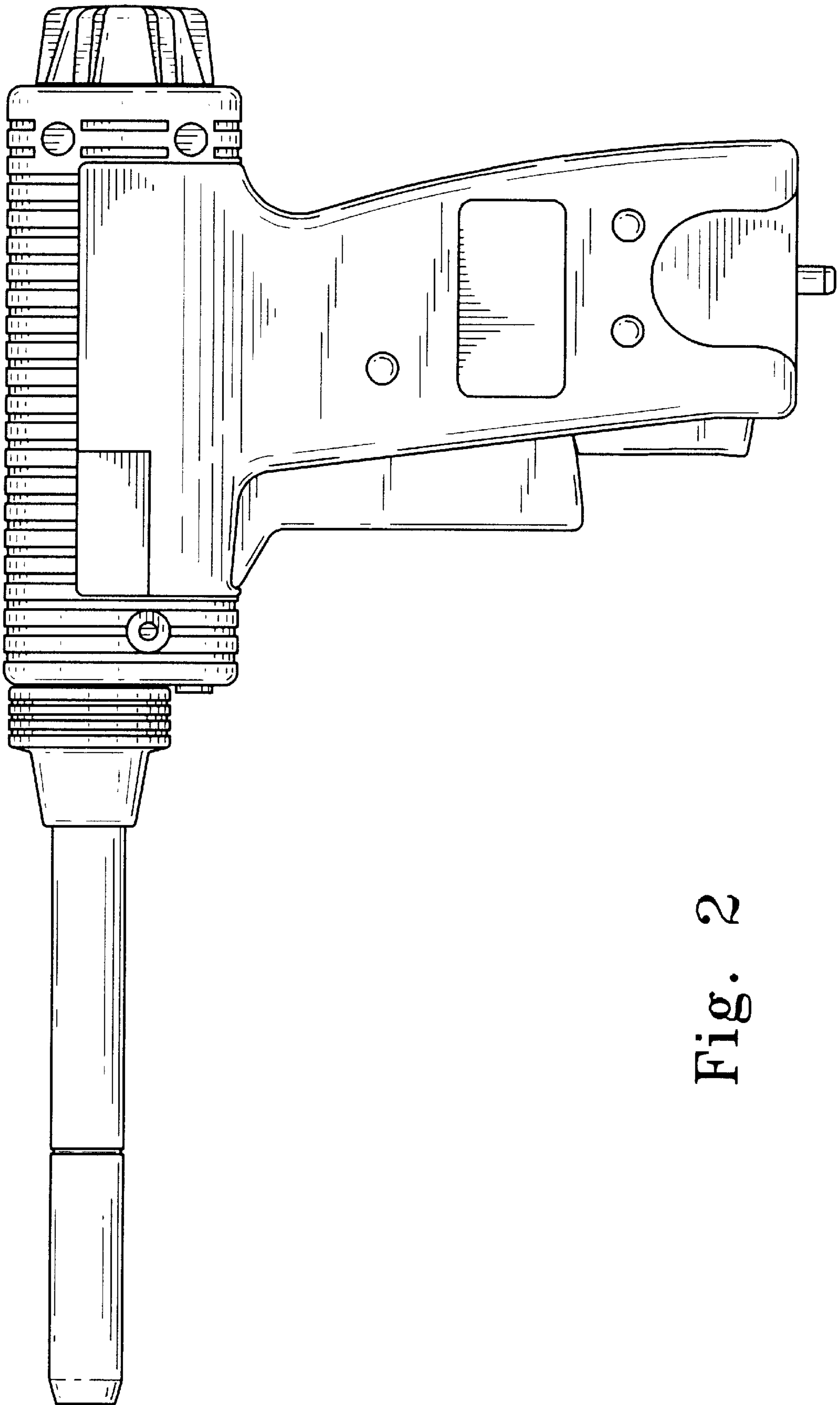


Fig. 2

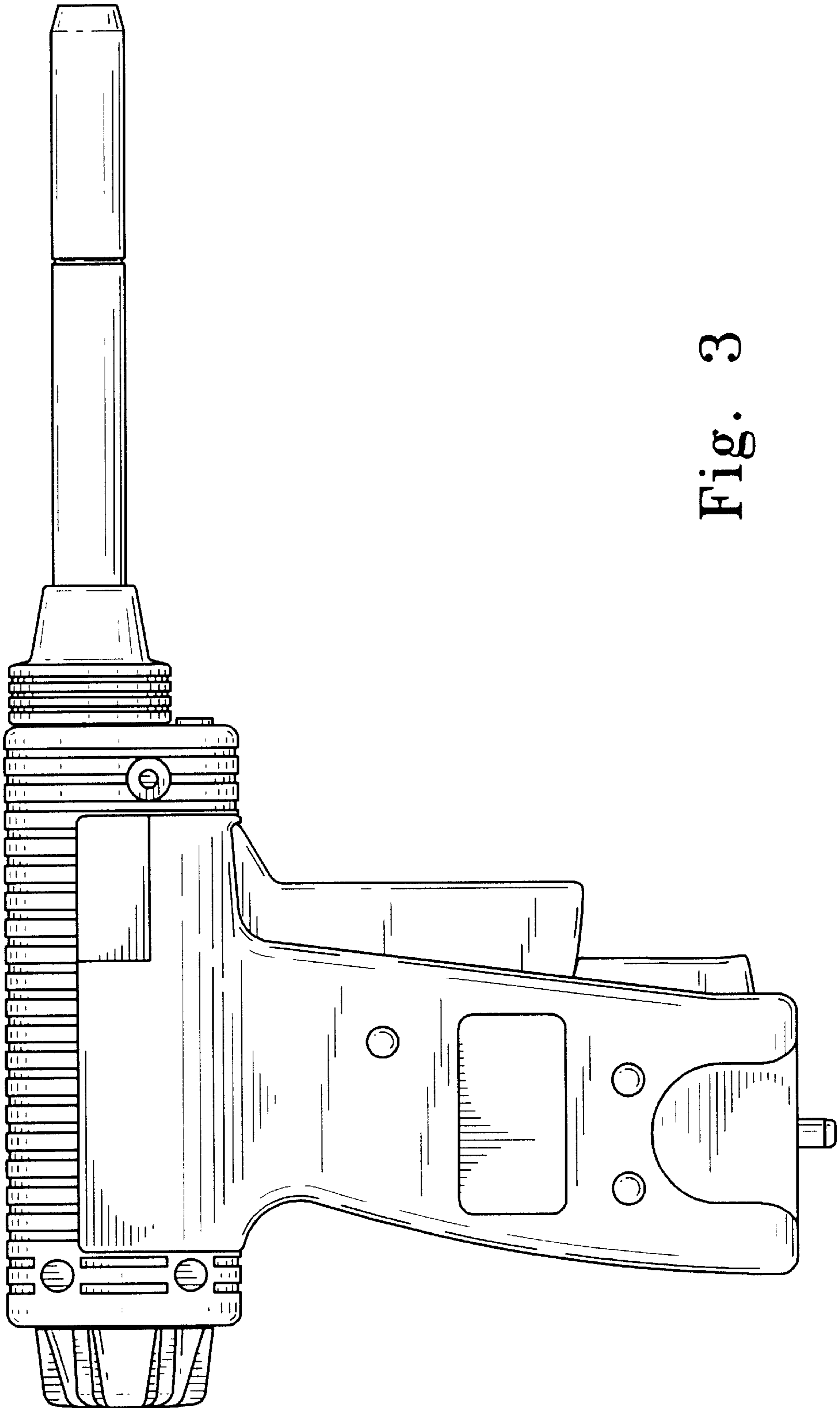


Fig. 3

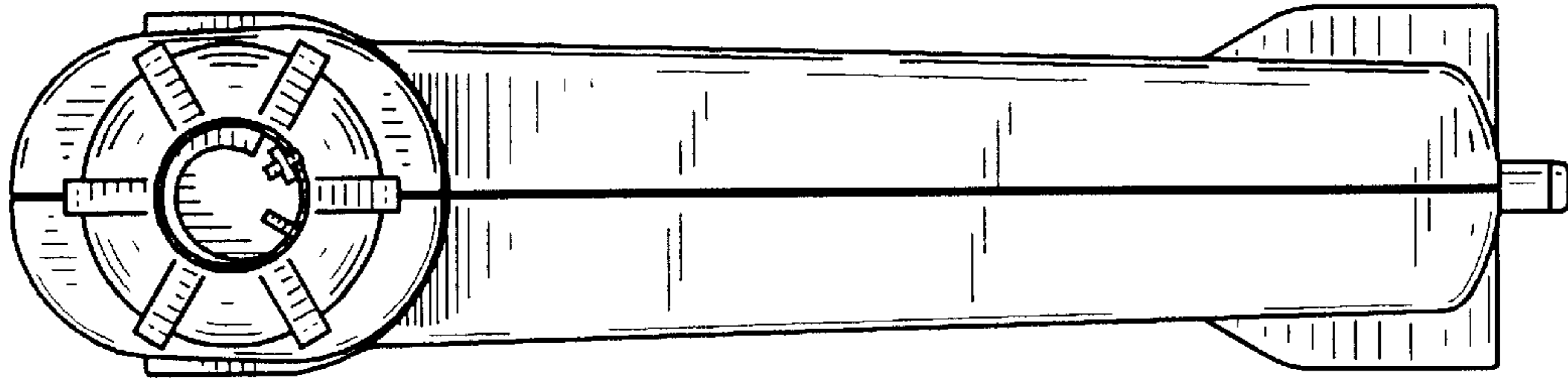


Fig. 5

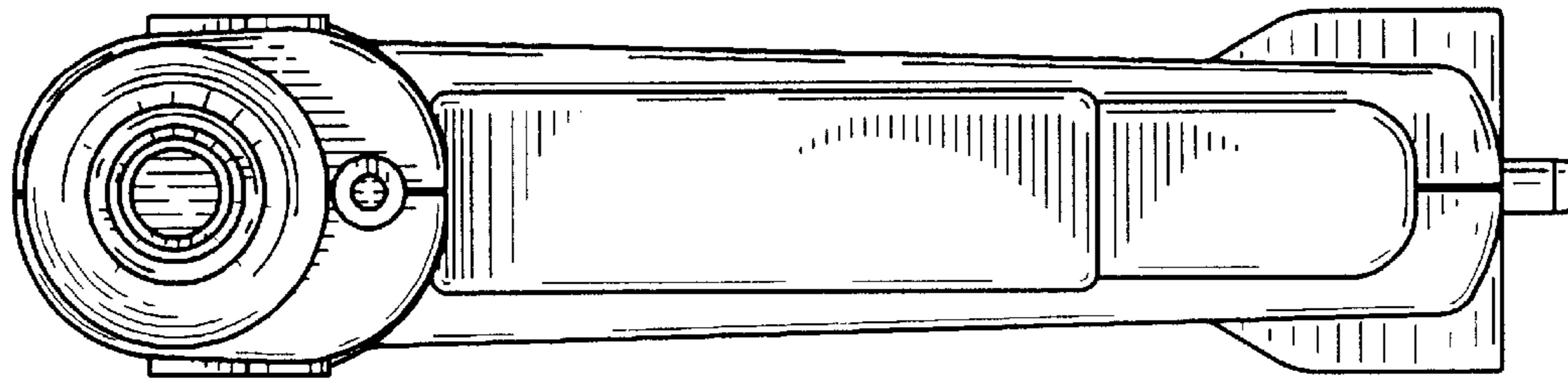


Fig. 4

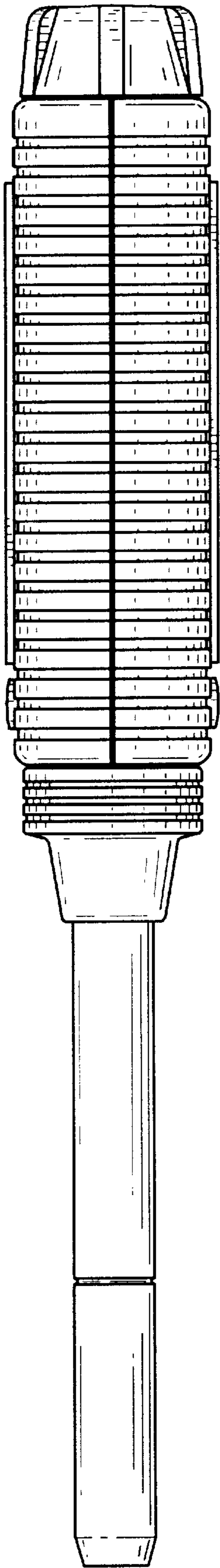


Fig. 6

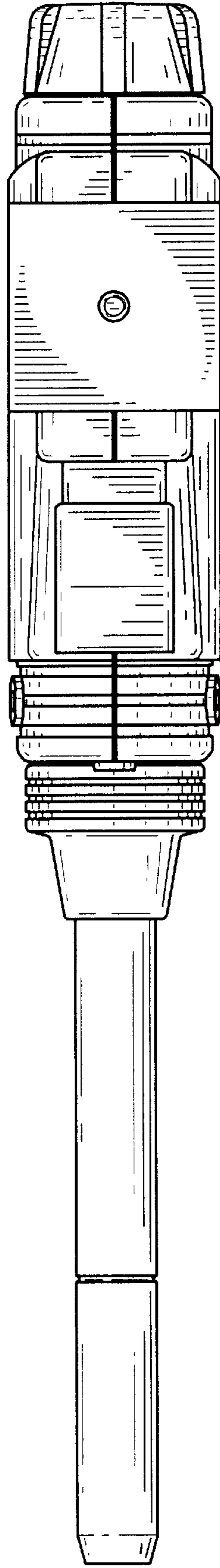


Fig. 7

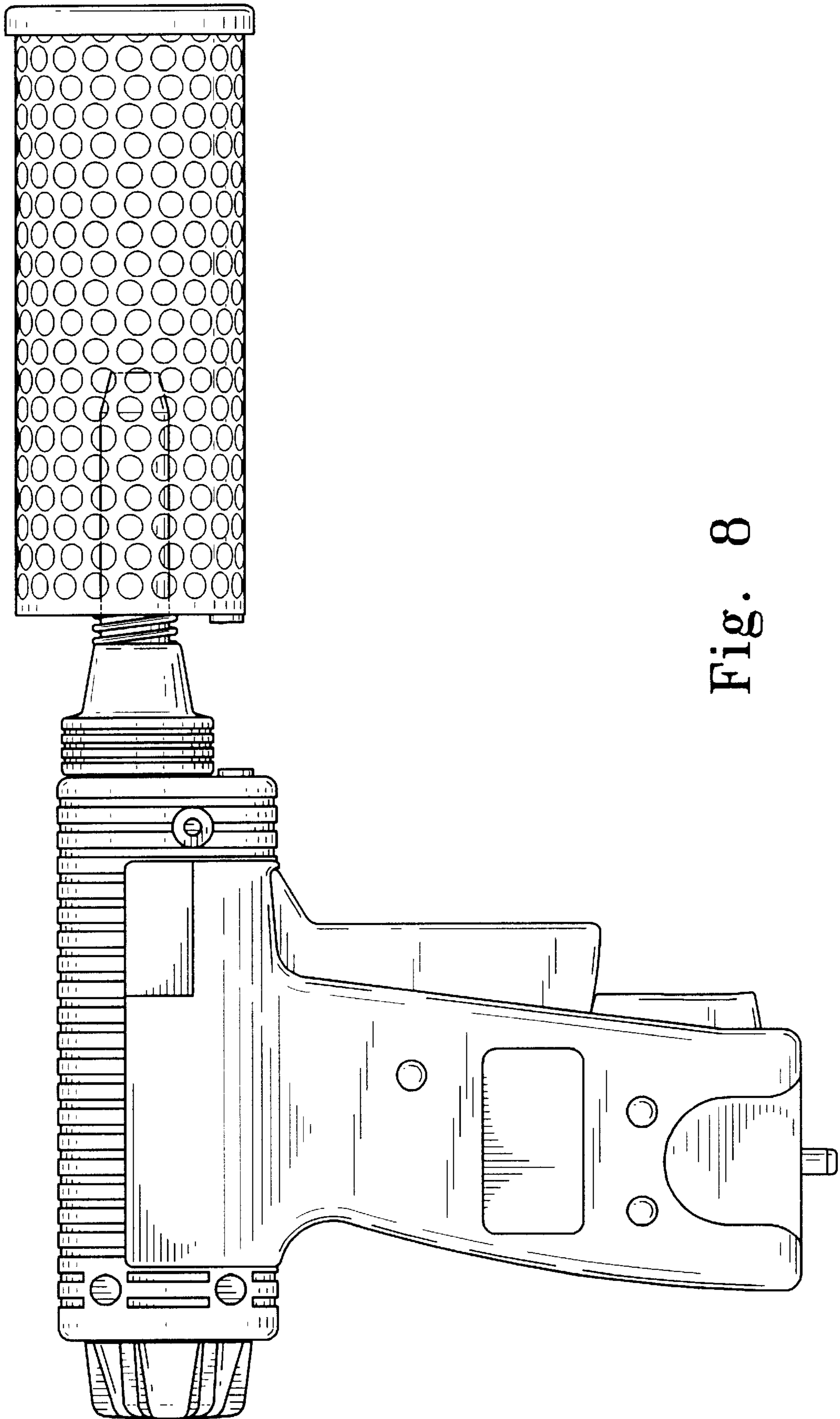


Fig. 8

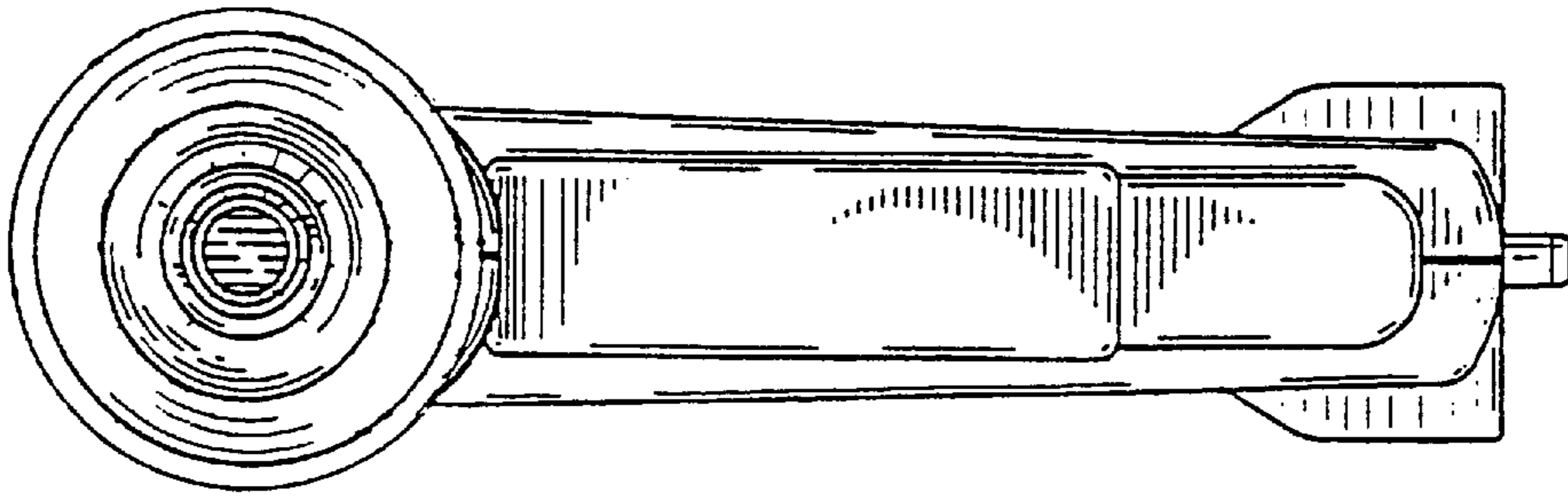


FIG. 9

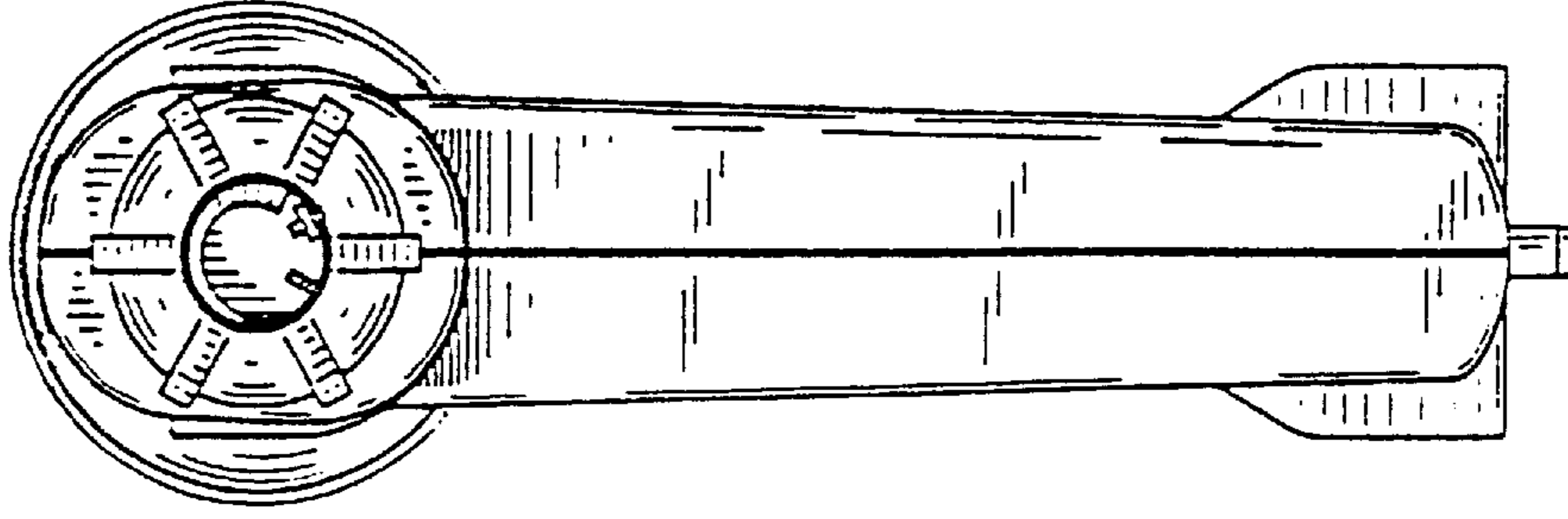


FIG. 10

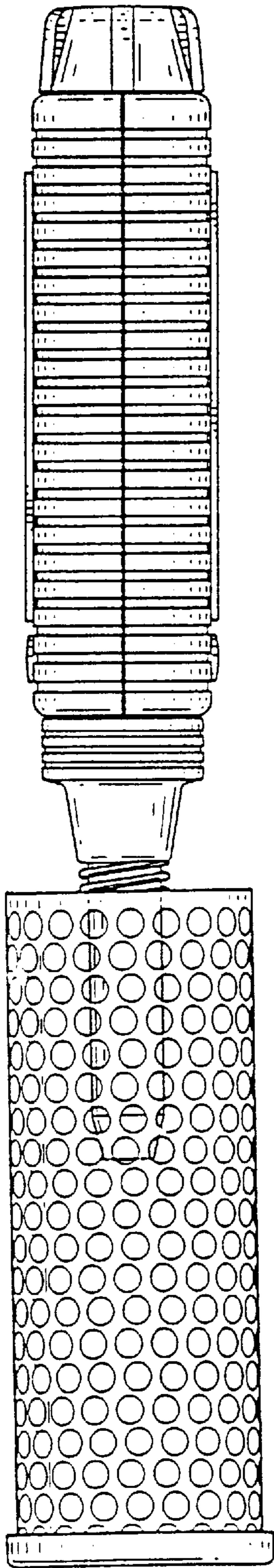


FIG. 11

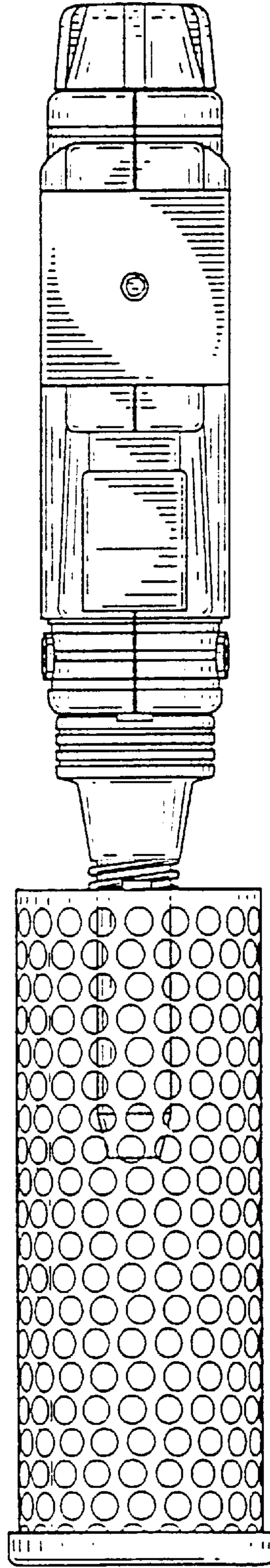


FIG. 12

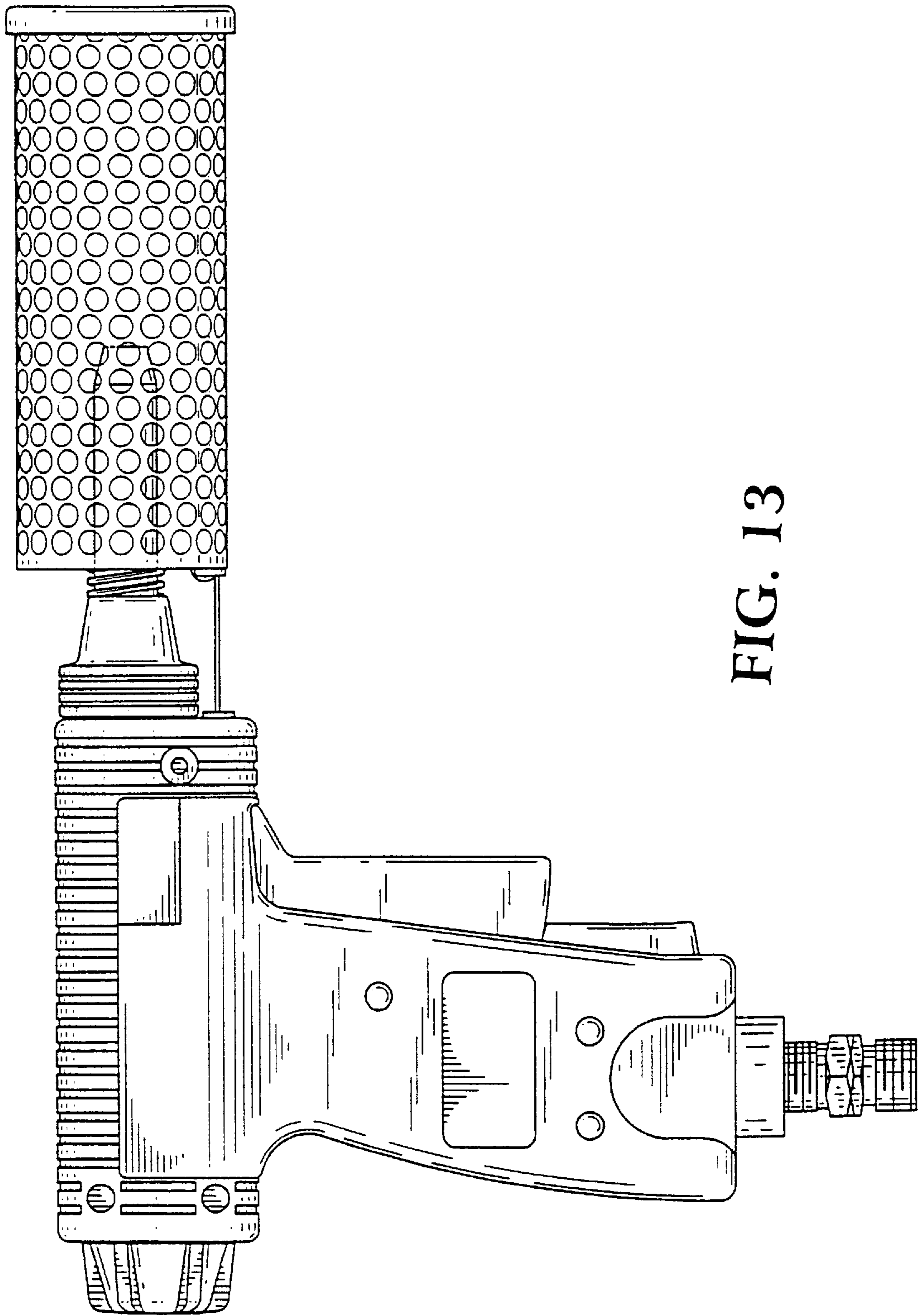


FIG. 13

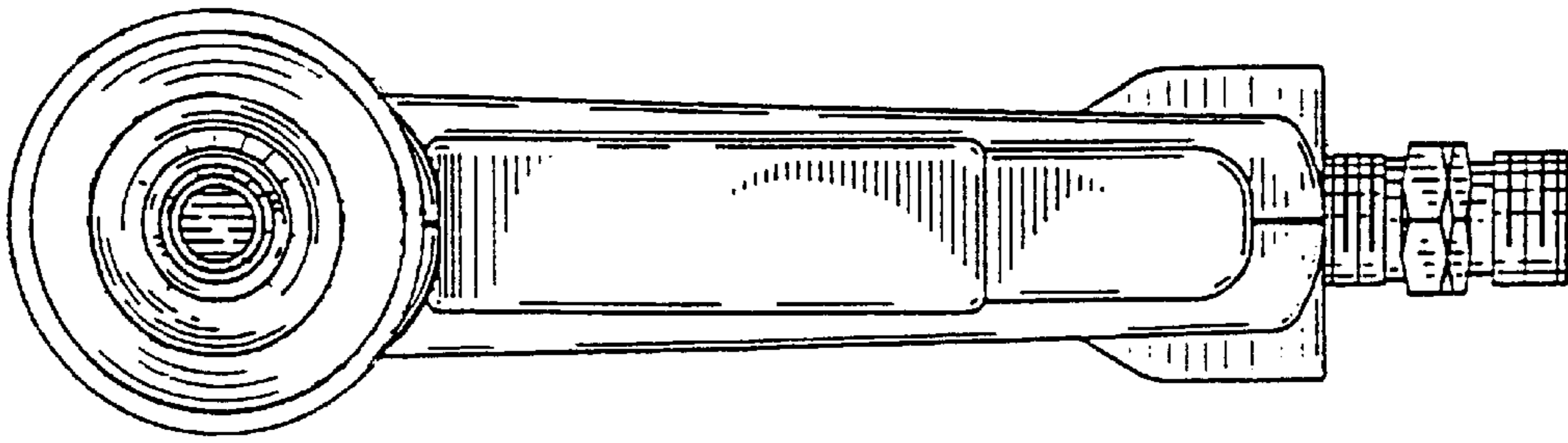


FIG. 14

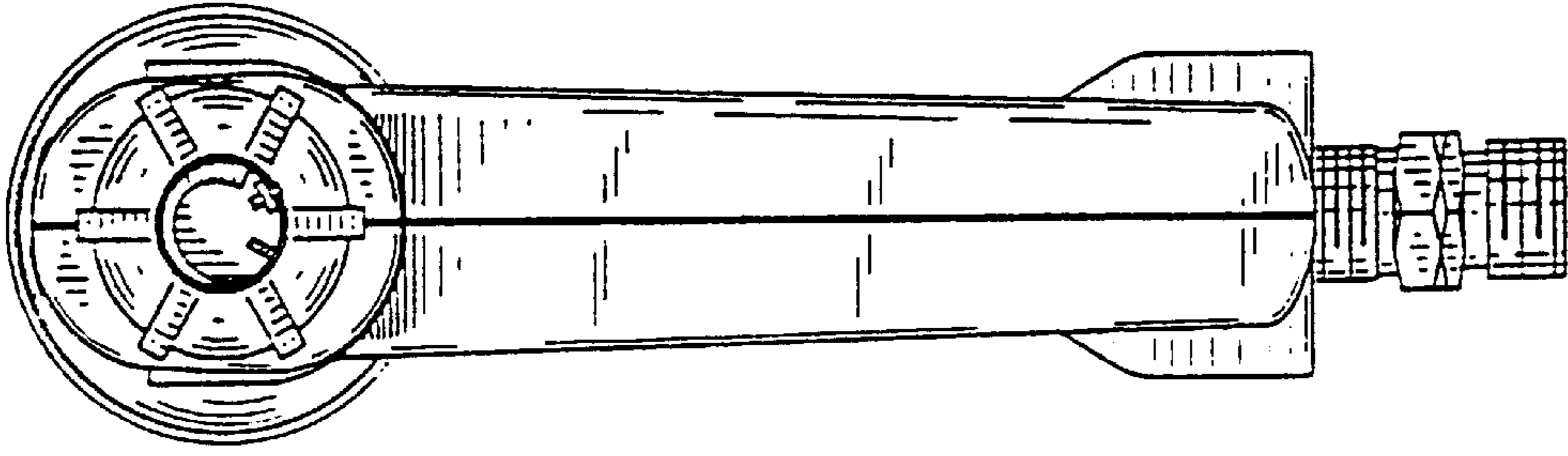


FIG. 15

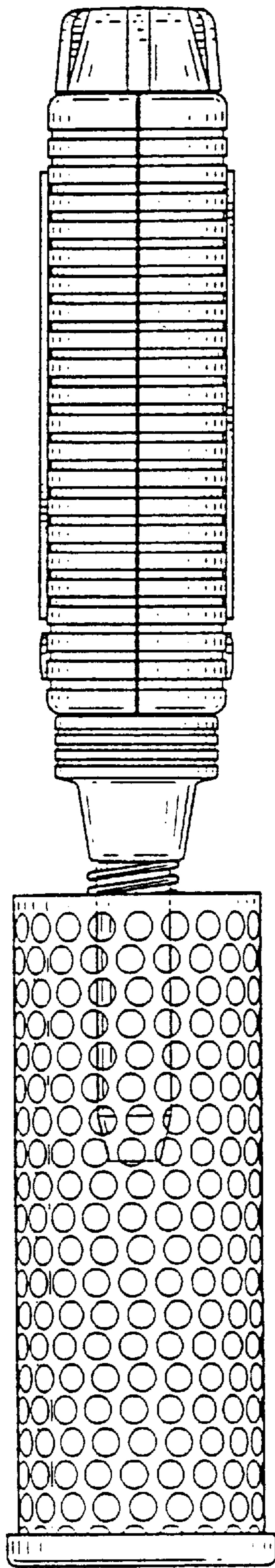


FIG. 16

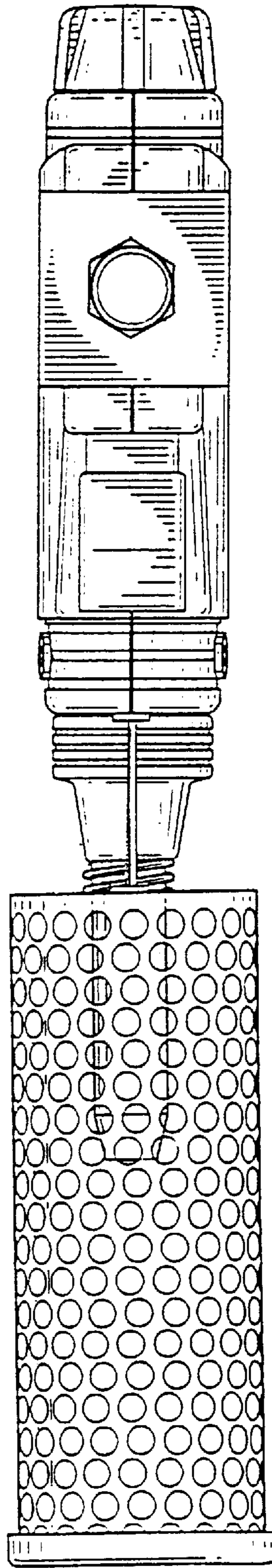


FIG. 17