



US00D406736S

United States Patent [19]
Milbury

[11] **Patent Number: Des. 406,736**

[45] **Date of Patent: **Mar. 16, 1999**

[54] **TOOL HEAD FOR GARDEN DIGGER**

[76] Inventor: **Thomas G. Milbury**, 26 Carolina Dr.,
New City, N.Y. 10956

[**] Term: **14 Years**

[21] Appl. No.: **84,673**

[22] Filed: **Mar. 7, 1998**

[51] **LOC (6) Cl.** **08-01**

[52] **U.S. Cl.** **D8/9**

[58] **Field of Search** D8/1, 9; 172/22;
294/50.8, 50.6

[56] **References Cited**

U.S. PATENT DOCUMENTS

3,011,563 12/1961 Ceretti et al. 172/22
4,633,957 1/1987 Prost 172/22

Primary Examiner—Holly Baynham

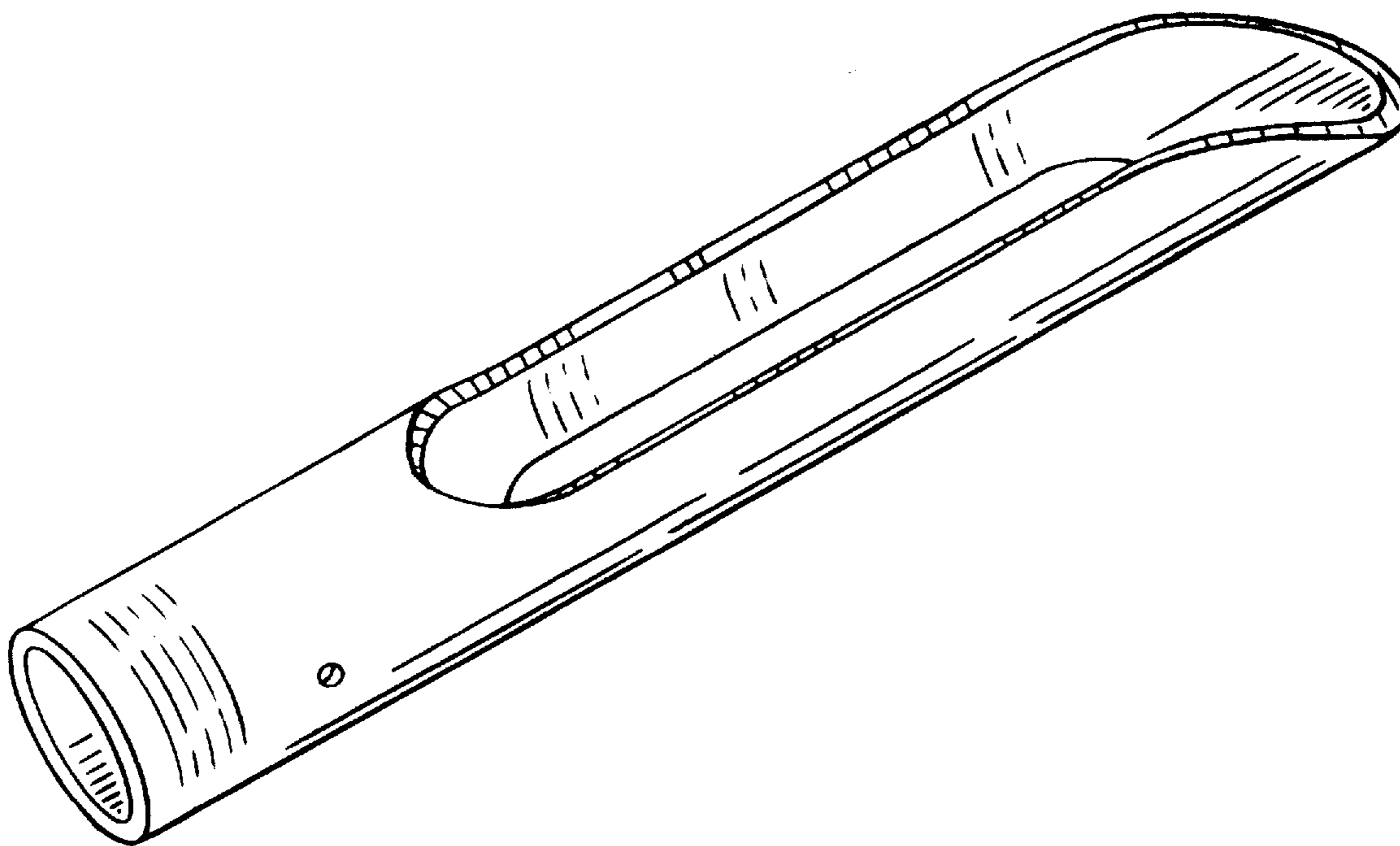
[57] **CLAIM**

The ornamental design for a tool head for garden digger, as shown and descibed.

DESCRIPTION

FIG. 1 is a perspective view of a tool head for garden digger, showing my new design;
FIG. 2 is front elevational view thereof;
FIG. 3 is a rear elevational view thereof;
FIG. 4 is a right end elevational view thereof;
FIG. 5 is cross sectional view thereof, taken along lines 5—5 shown in FIG. 3;
FIG. 6 is a left end elevational view thereof;
FIG. 7 is a bottom view thereof;
FIG. 8 is a top plan view thereof;
FIG. 9 is a longitudinal cross-sectional view thereof; taken along lines 9—9 shown in FIG. 8; and,
FIG. 10 shows FIG. 5 with shading in the background omitted for ease of illustration.

1 Claim, 3 Drawing Sheets



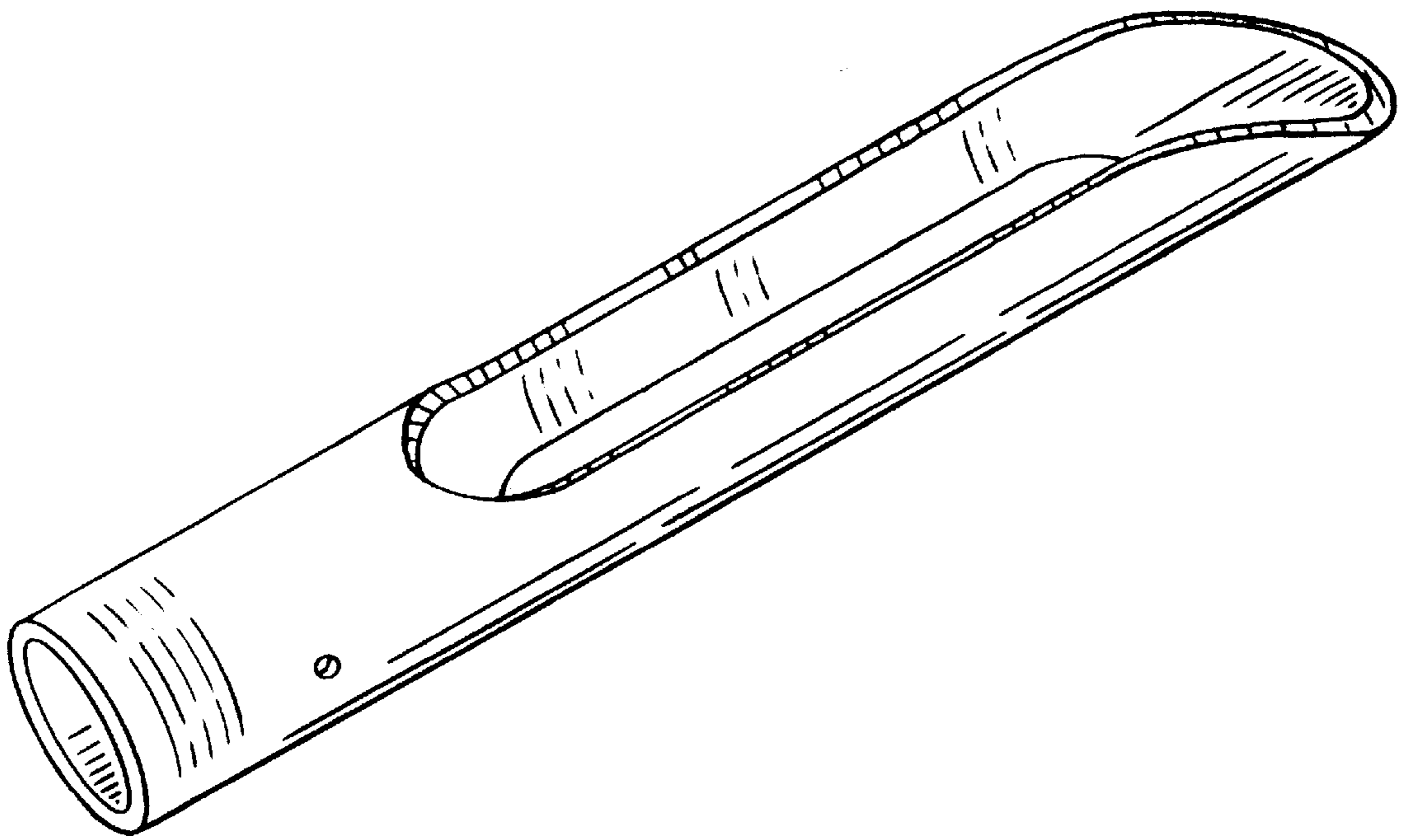


FIG. 1

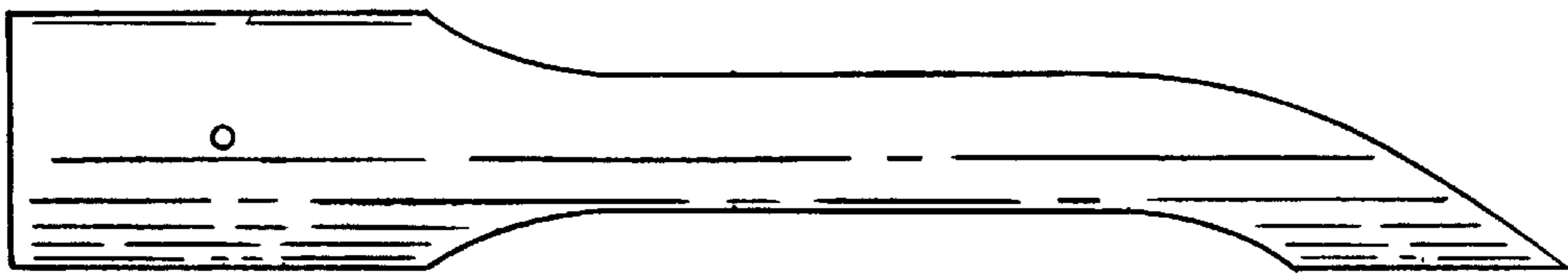


FIG. 2

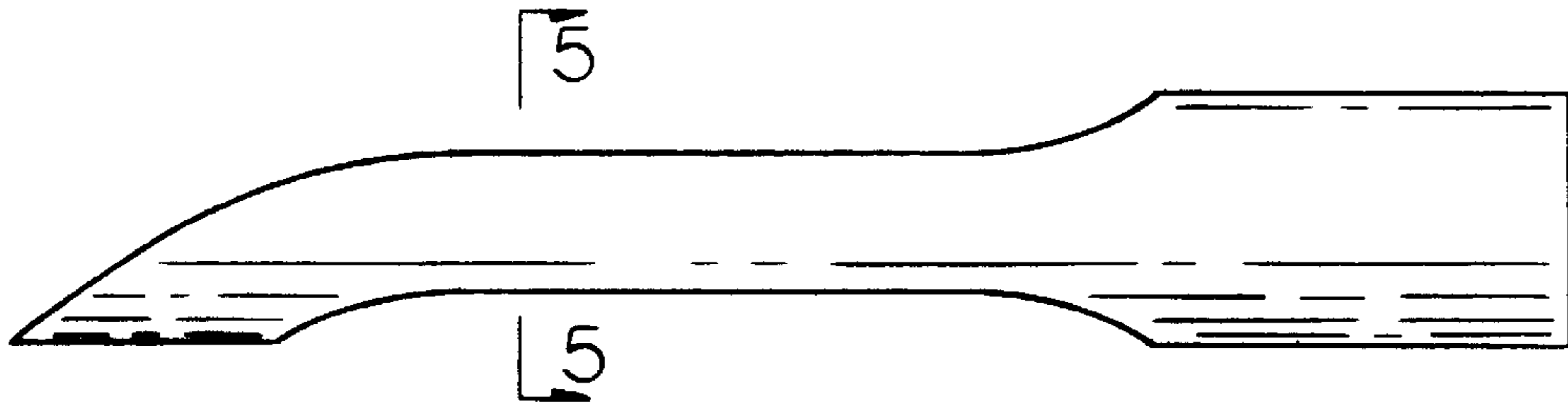


FIG. 3

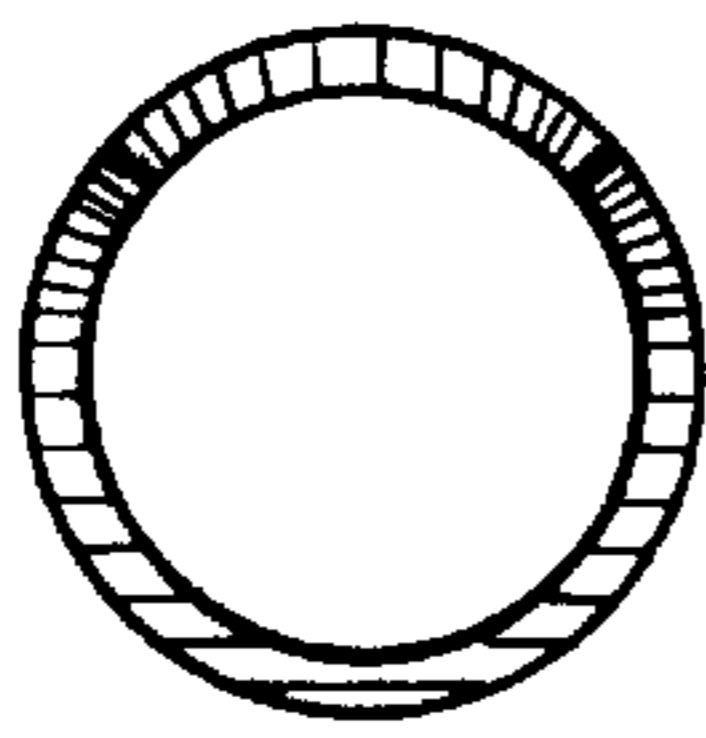


FIG. 4

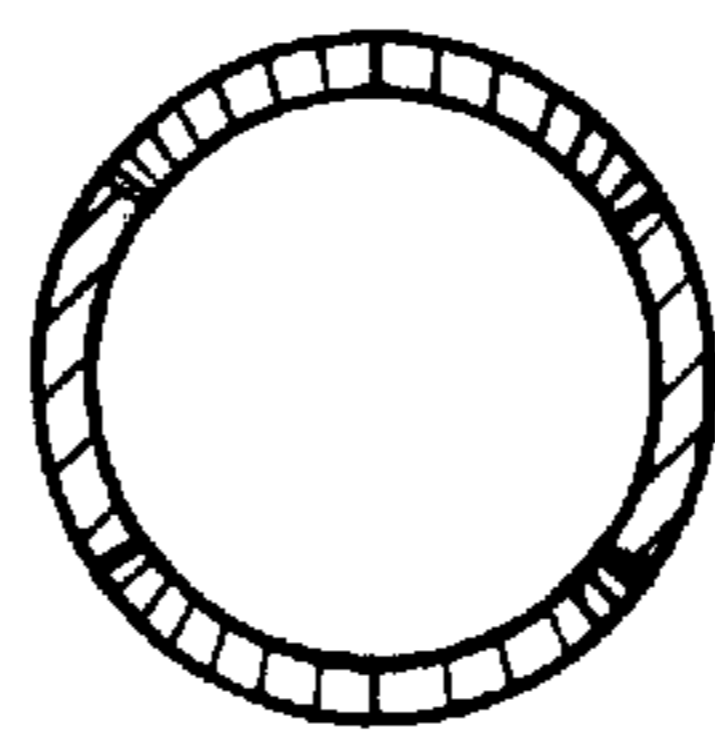


FIG. 5

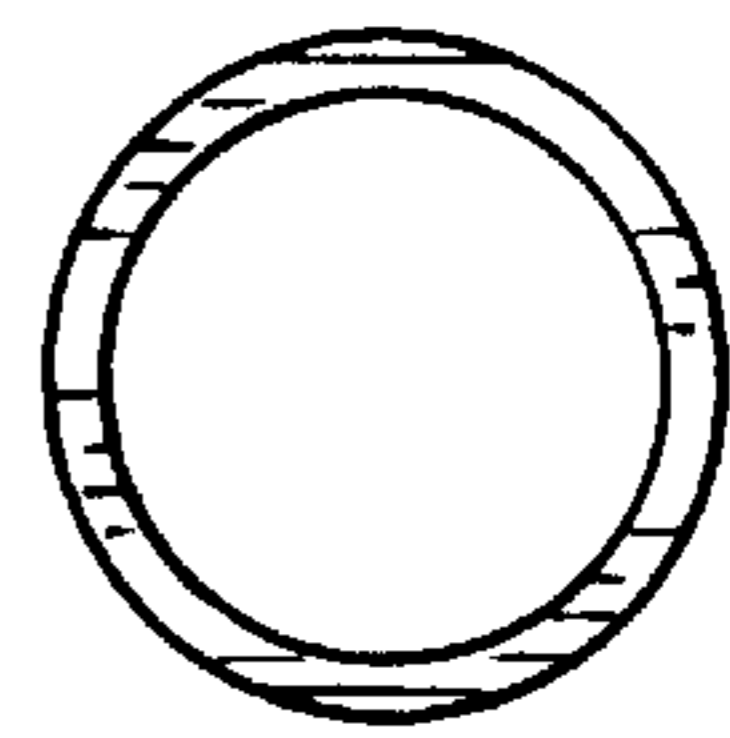


FIG. 6

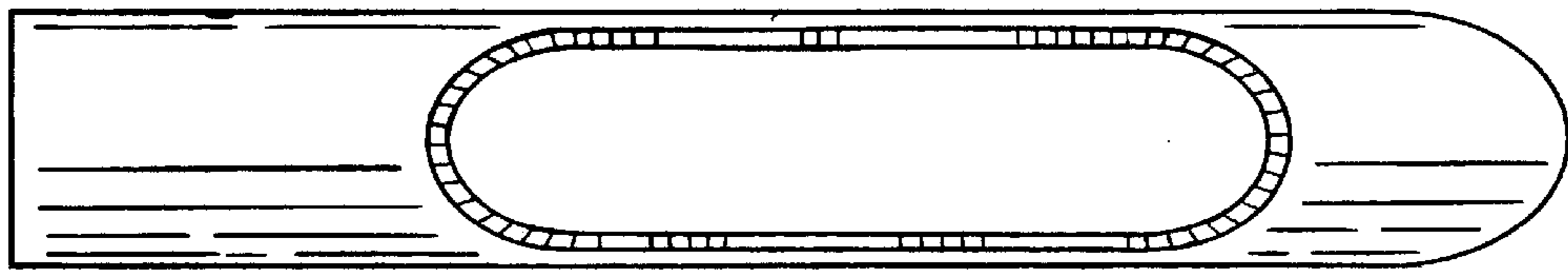


FIG. 7

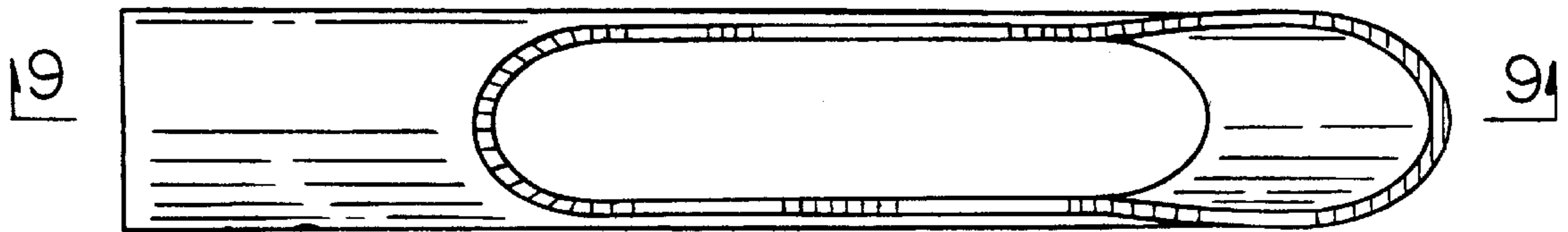


FIG. 8

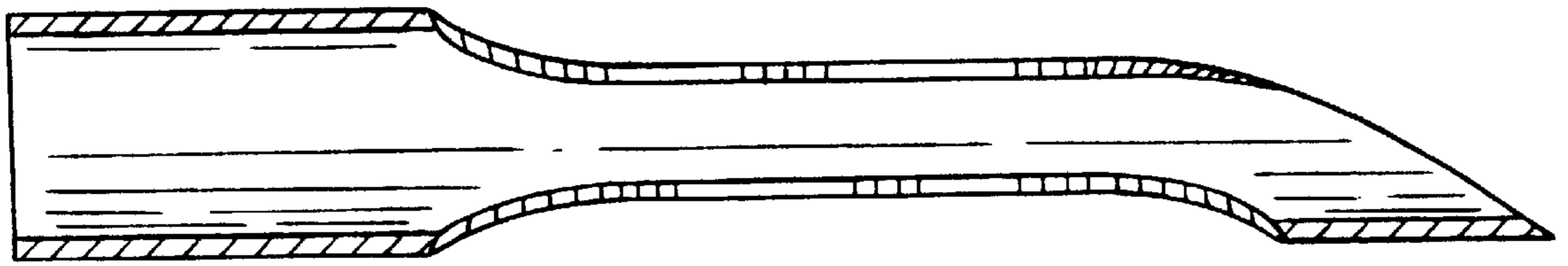


FIG. 9

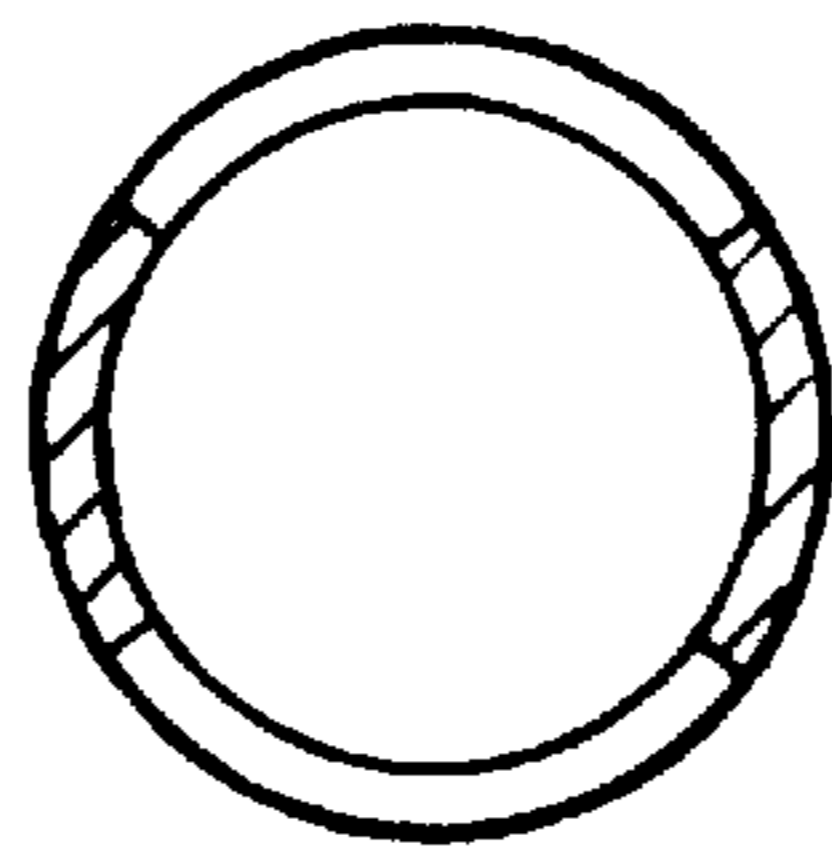


FIG. 10