



US00D406731S

United States Patent [19]

[11] **Patent Number: Des. 406,731**

Lage et al.

[45] **Date of Patent: **Mar. 16, 1999**

[54] **CANISTER**

[75] Inventors: **David P. Lage**, Manchester; **Albert P. Carney**, Ellisville, both of Mo.

[73] Assignee: **Quick Point, Inc.**, Fenton, Mo.

[**] Term: **14 Years**

[21] Appl. No.: **83,071**

[22] Filed: **Feb. 4, 1998**

[51] **LOC (6) Cl.** **09-02**

[52] **U.S. Cl.** **D7/615**

[58] **Field of Search** D7/612-615, 538-542,
D7/603, 629; D9/500, 503-505; 220/253,
675, 796

Drawings from co-pending application of David P. Lage and Albert P. Carney entitled "Lid For Canister Or Container" filed contemporaneously herewith.

Photographs of a mug in public use before the present invention.

Quick Point Catalog — 1996 new Ideas — Cover page and pp. 4, 6-17, 22, 23.

Primary Examiner—Terry A. Wallace
Attorney, Agent, or Firm—Polster, Lieder, Woodruff & Lucchesi, L.C.

[57] **CLAIM**

The ornamental design for a canister, as shown and described.

DESCRIPTION

FIG. 1 is a top, front and right side perspective view of a canister showing our new design;

FIG. 2 is a top plan view thereof;

FIG. 3 is a bottom plan view thereof;

FIG. 4 is a right side elevational view thereof;

FIG. 5 is a sectional view thereof taken on line 5—5 of FIG. 2; and,

FIG. 6 is a sectional view thereof taken on line 6—6 of FIG. 4.

[56] **References Cited**

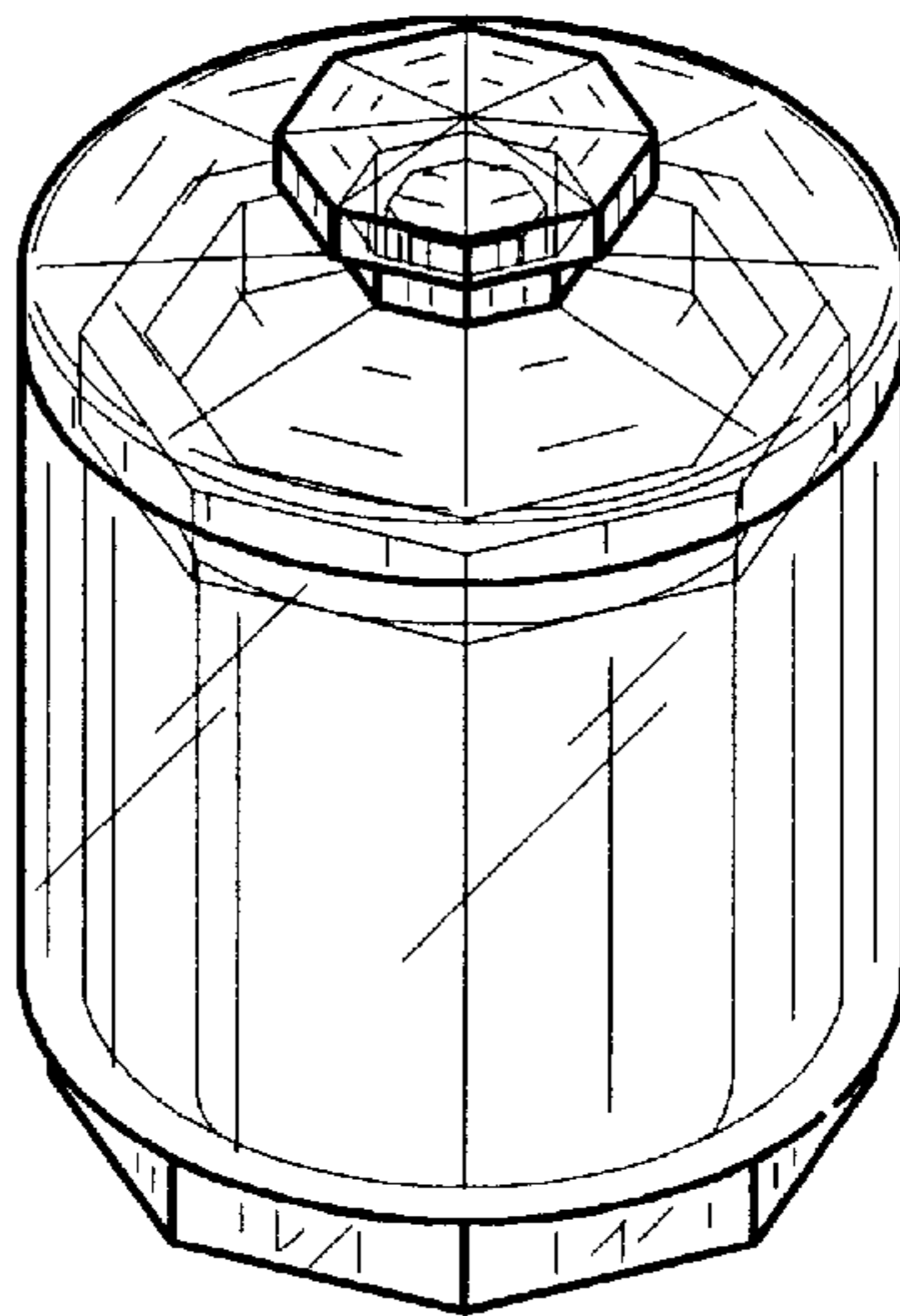
U.S. PATENT DOCUMENTS

D. 256,646	9/1980	Painter et al.	D7/542
D. 272,507	2/1984	Conti	D7/615
D. 301,958	7/1989	Zivin	D7/604
D. 307,089	4/1990	Lage .		
D. 310,464	9/1990	Laib	D7/615
D. 378,263	3/1997	Lage .		

OTHER PUBLICATIONS

Drawings from co-pending application of David P. Lage and Albert P. Carney entitled "Tumbler-Container" filed contemporaneously herewith.

1 Claim, 1 Drawing Sheet



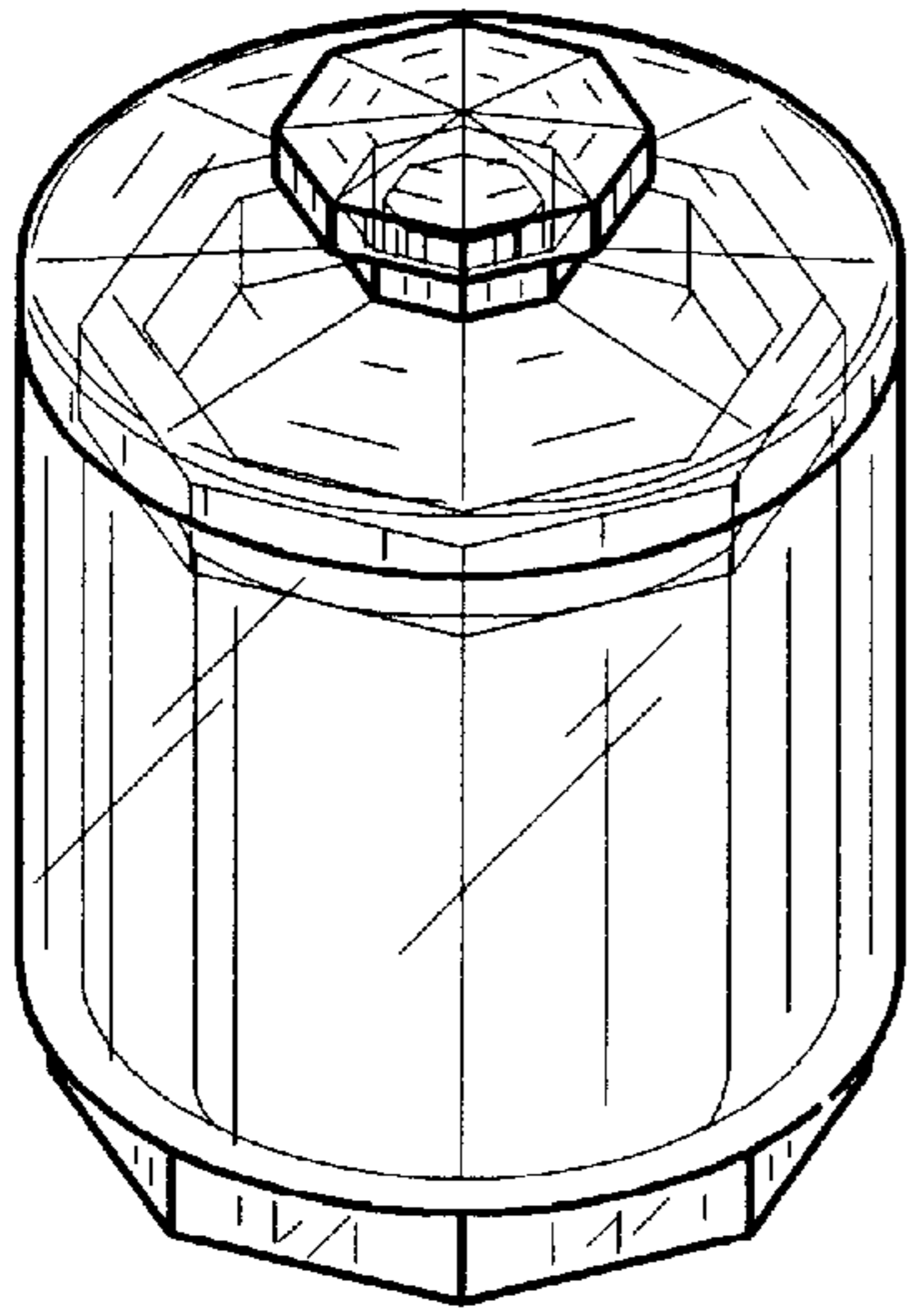


FIG. 1

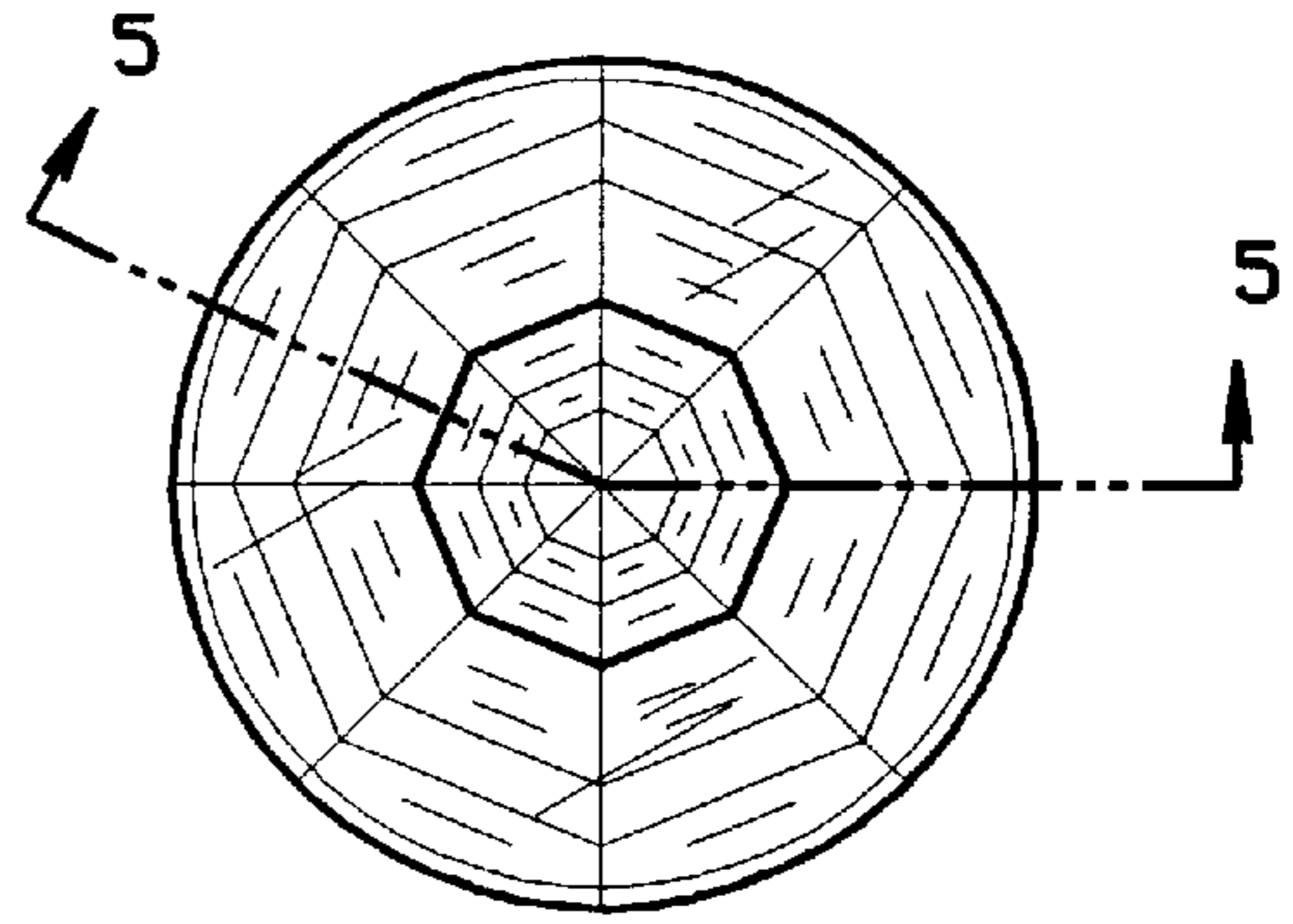


FIG. 2

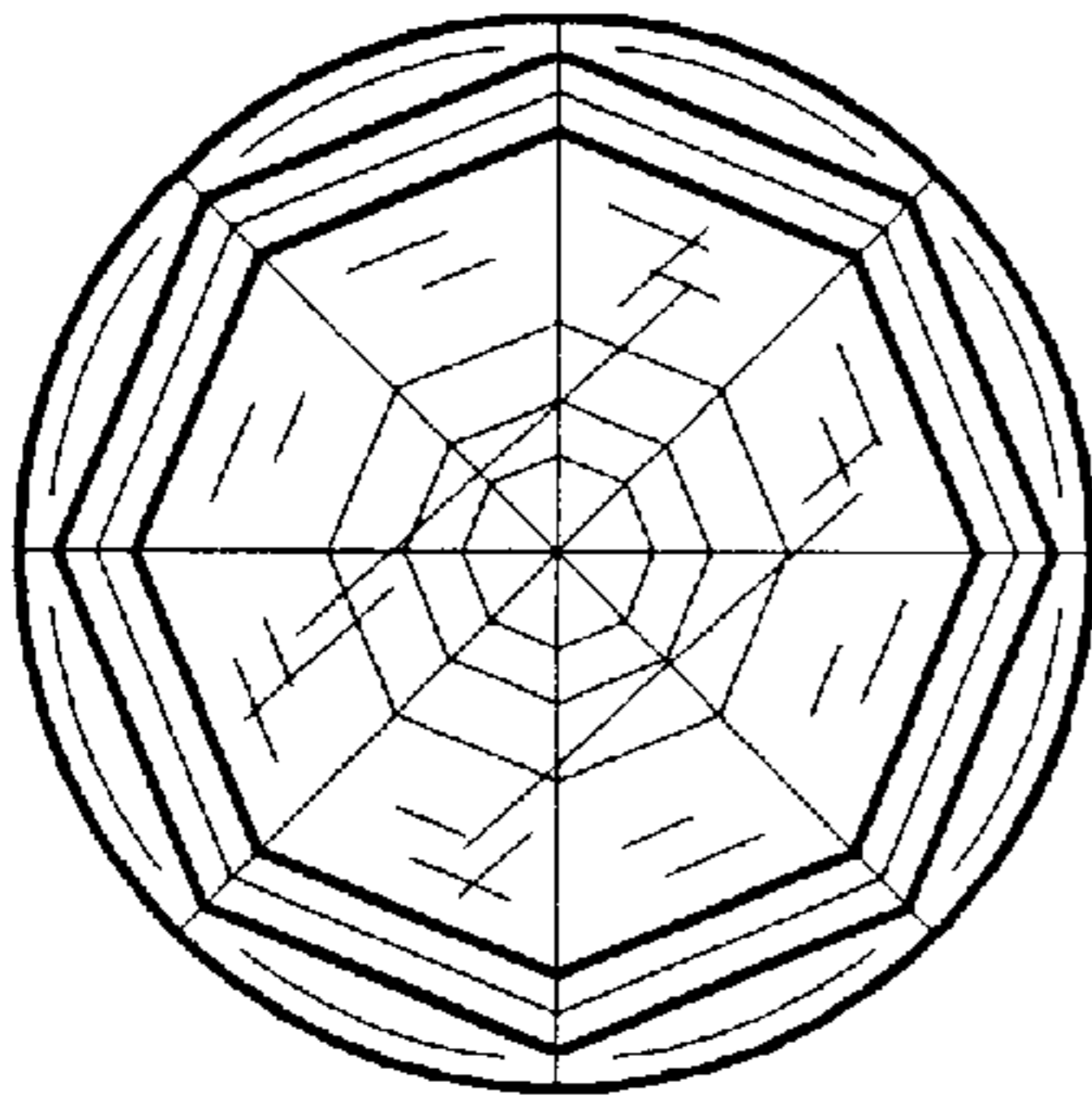


FIG. 3

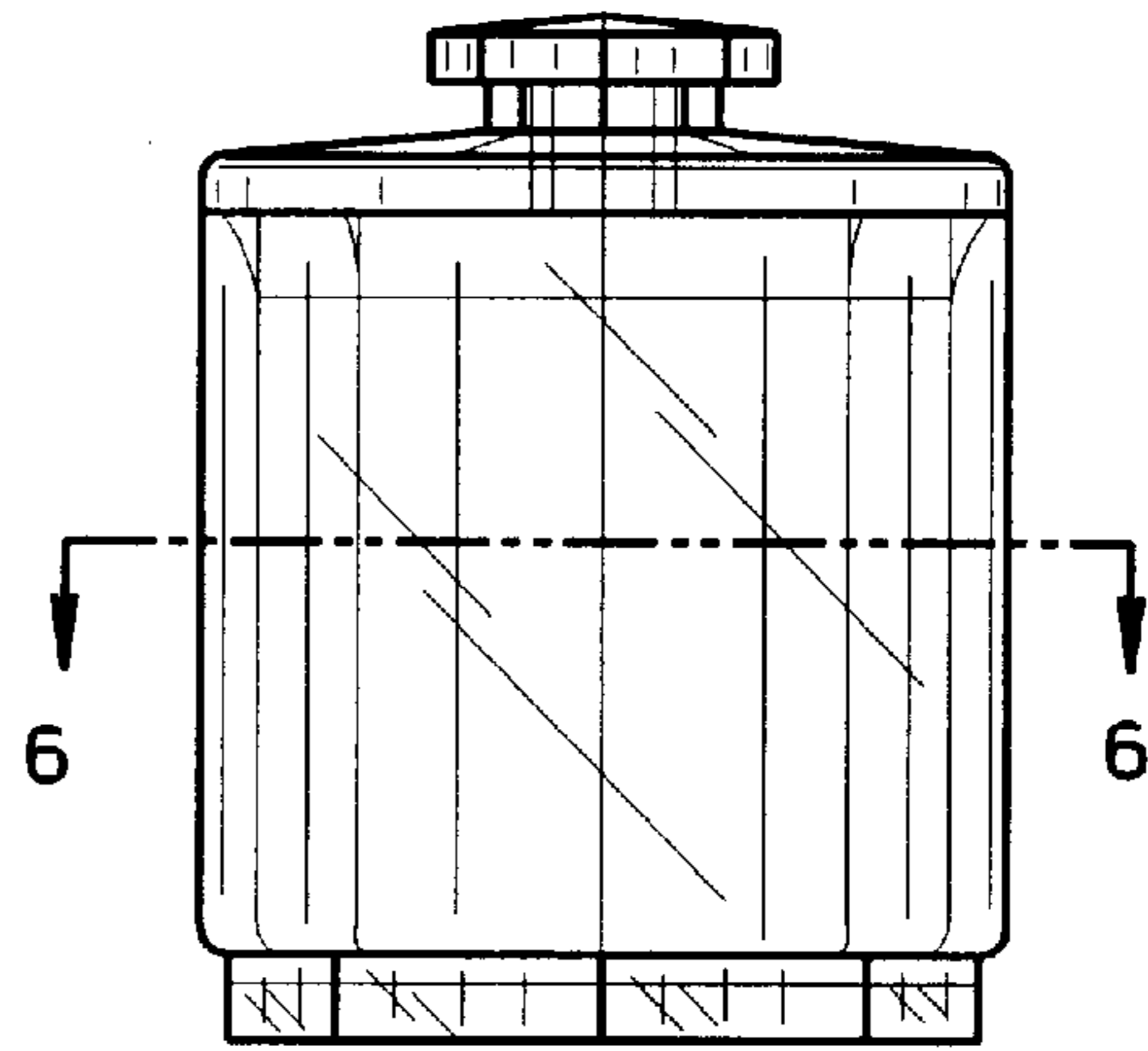


FIG. 4

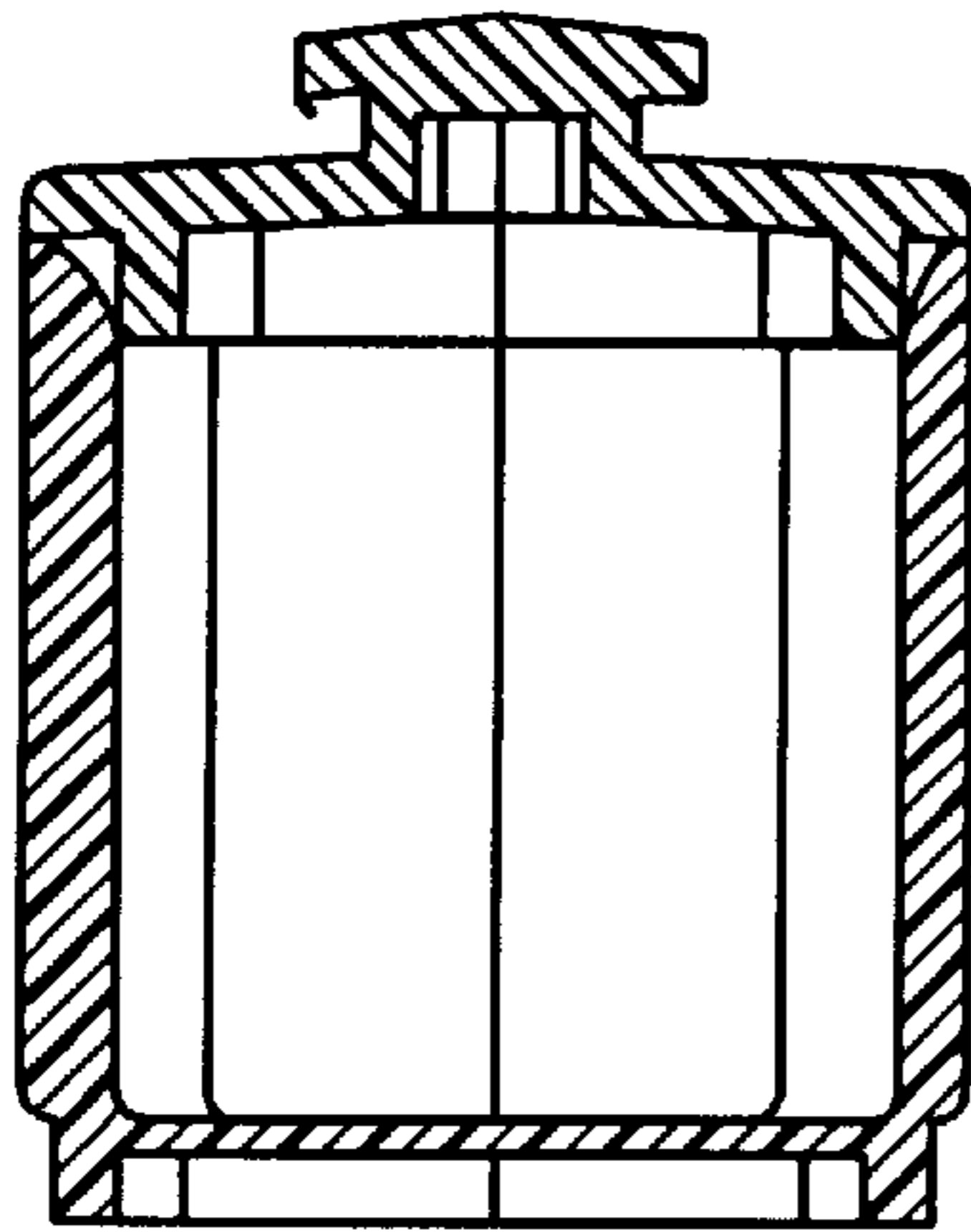


FIG. 5

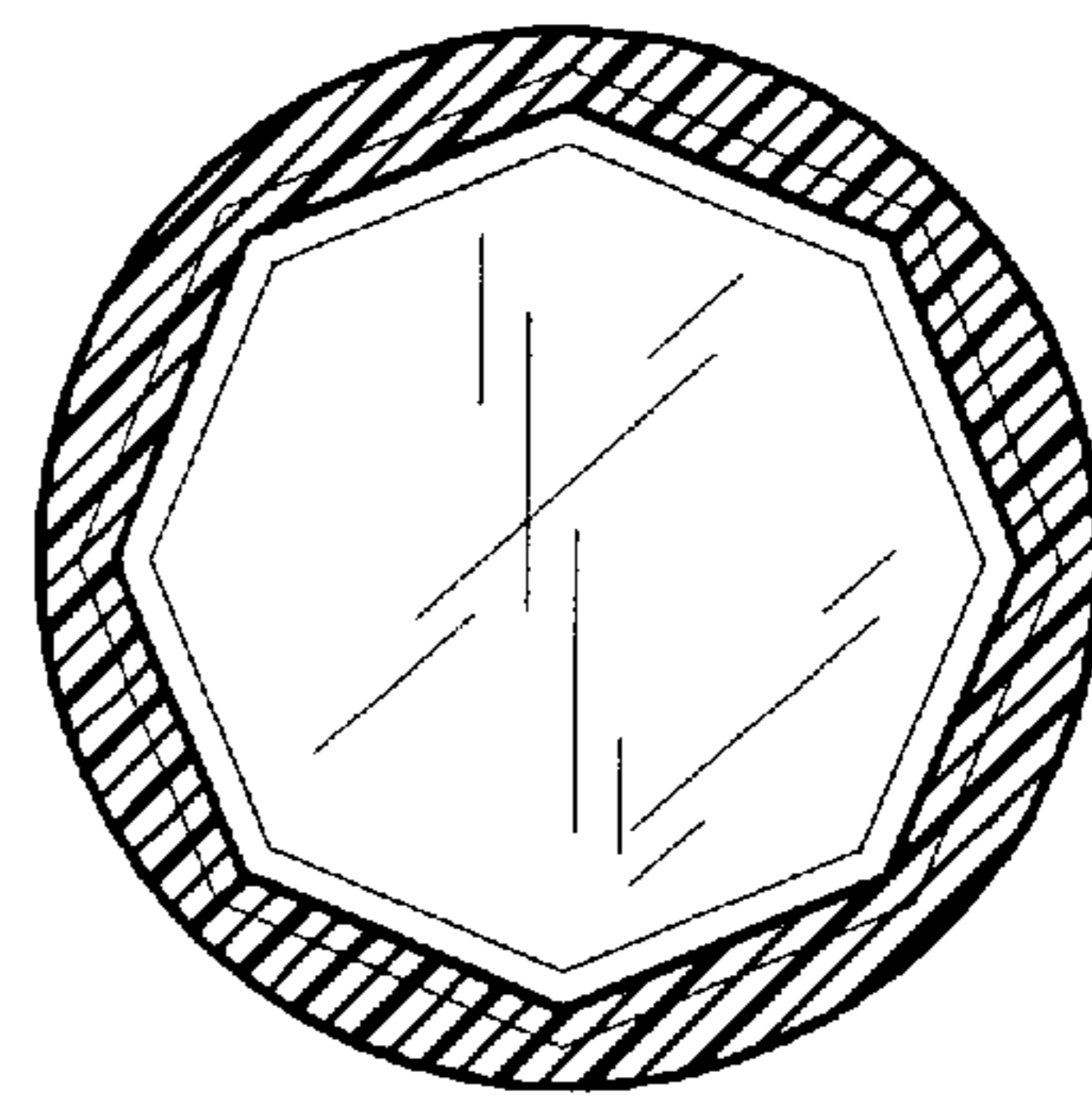


FIG. 6