



US00D406729S

# United States Patent [19]

Freese et al.

[11] **Patent Number: Des. 406,729**

[45] **Date of Patent: \*\*Mar. 16, 1999**

[54] **LUNCH COOLER**

[75] Inventors: **T. Brent Freese**, Gurnee, Ill.; **Douglas Carpiaux**, Milwaukee, Wis.; **Eric Fickas**, Germantown, Wis.; **Raymond Klein**, Milwaukee, Wis.; **Scott Micoley**, Cedarburg, Wis.

[73] Assignee: **Outer Circle Products, Ltd.**, Chicago, Ill.

[\*\*] Term: **14 Years**

[21] Appl. No.: **84,625**

[22] Filed: **Mar. 6, 1998**

[51] **LOC (6) Cl. .... 07-06**

[52] **U.S. Cl. .... D7/607; D7/709**

[58] **Field of Search** ..... D7/605, 607, 709;  
D3/273, 276, 283, 287, 289, 290, 301;  
62/457.1, 457.7, 371; 220/410-412, DIG. 10;  
206/223, 541, 545, 546, 549; 383/109,  
110, 113

### [56] **References Cited**

#### **U.S. PATENT DOCUMENTS**

- D. 340,621 10/1993 Melk .
- D. 340,840 11/1993 Melk .

- D. 371,052 6/1996 Melk .
- D. 371,724 7/1996 Melk .
- 4,767,039 8/1988 Jacober .

#### **OTHER PUBLICATIONS**

“1996 Outdoor Products Catalog,” The Coleman Company, pp. 47, 65, 66, 68.

*Primary Examiner*—Terry A. Wallace  
*Attorney, Agent, or Firm*—Trexler, Bushnell, Giangiorgi & Blackstone, Ltd.

#### [57] **CLAIM**

The ornamental design for a lunch cooler, as shown and described.

#### **DESCRIPTION**

FIG. 1 is a top, left side perspective view of a lunch cooler showing our new design, the zipper pull and side straps being shown in broken lines for illustrative purposes only and forming no part of the claimed design; FIG. 2 is a front elevational view thereof; FIG. 3 is a rear elevational view thereof; FIG. 4 is a left side elevational view thereof, a right side being a mirror image thereof; FIG. 5 is a top plan view thereof; and, FIG. 6 is a bottom plan view thereof.

**1 Claim, 6 Drawing Sheets**

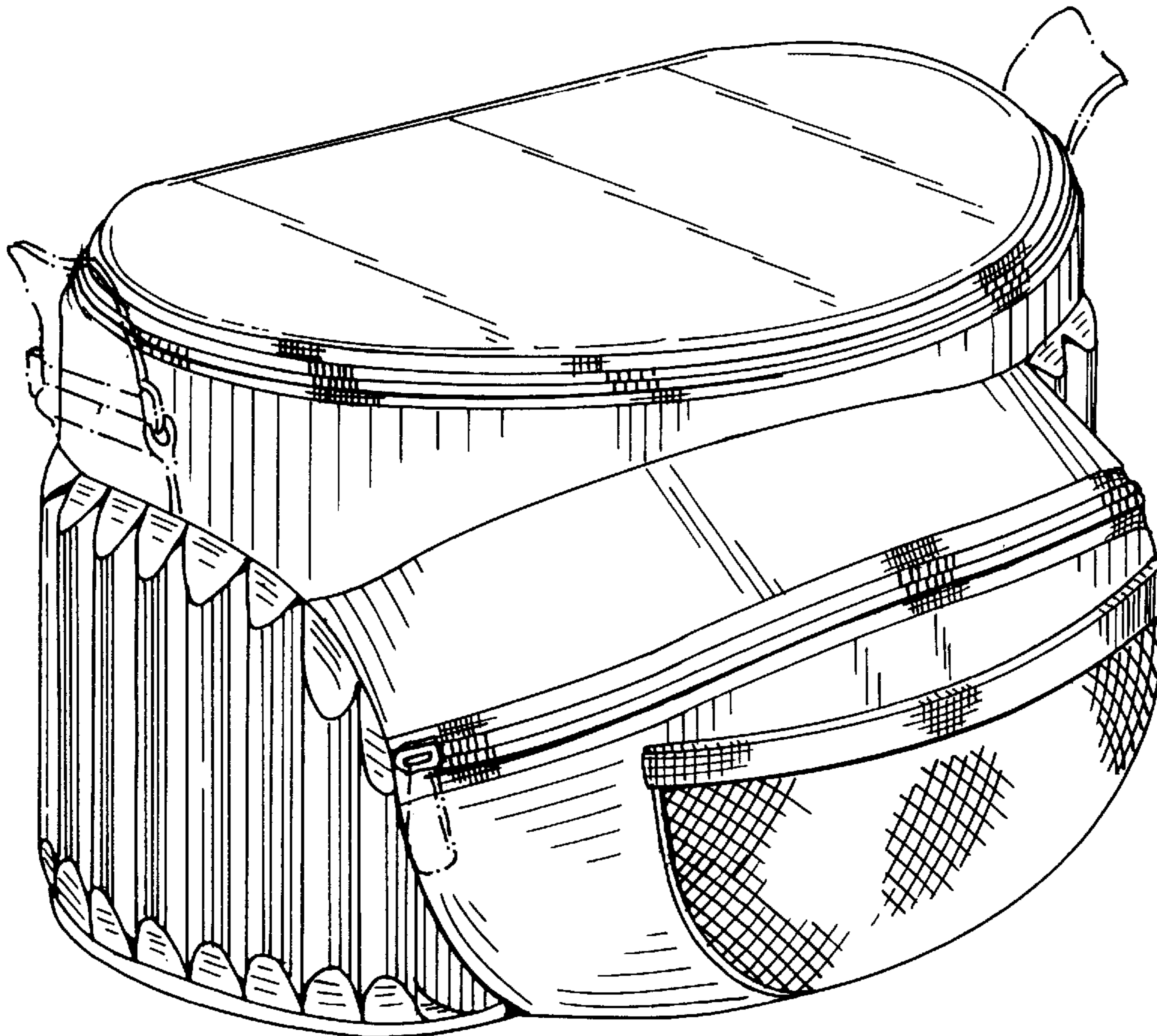
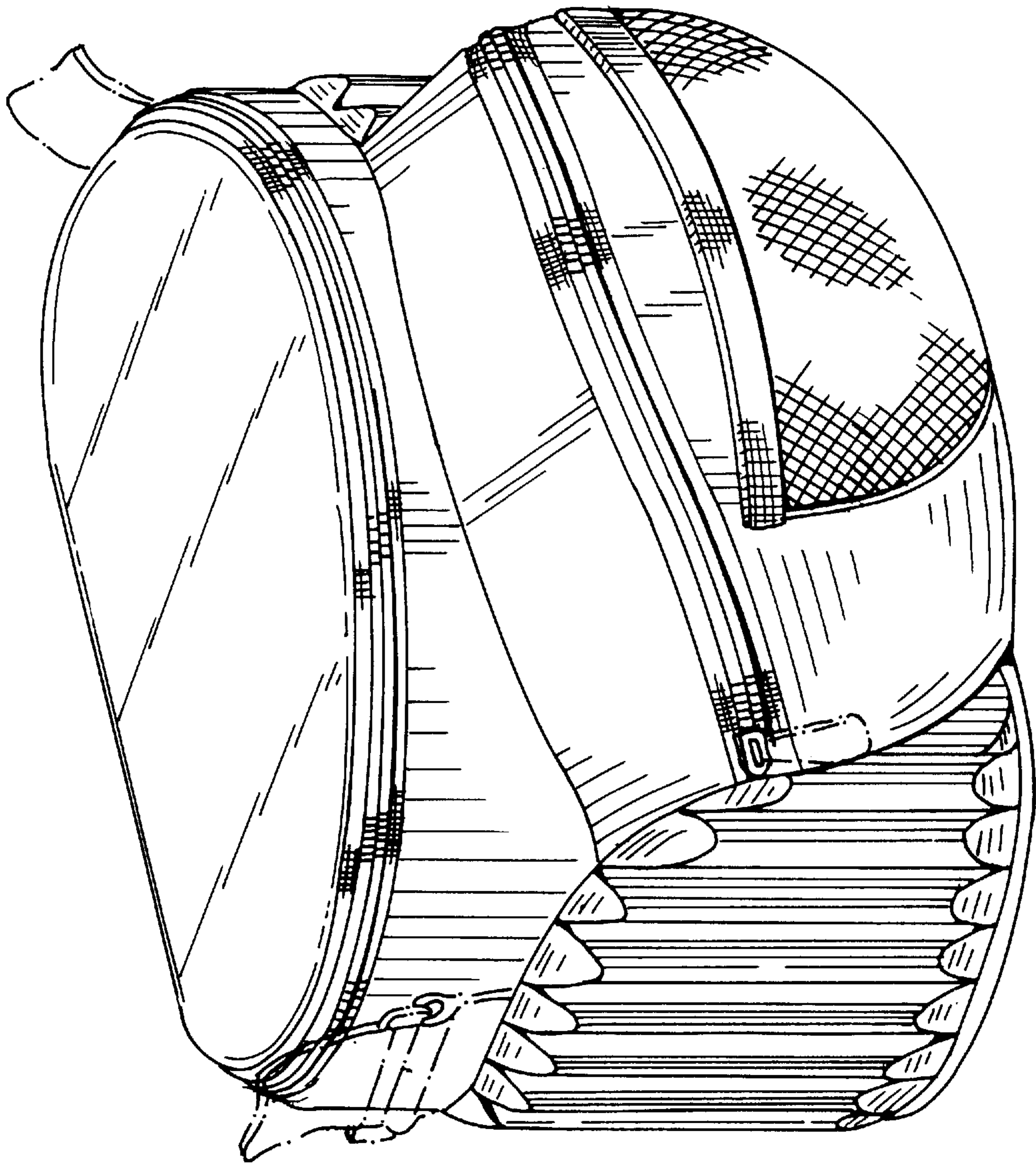


FIG. 1



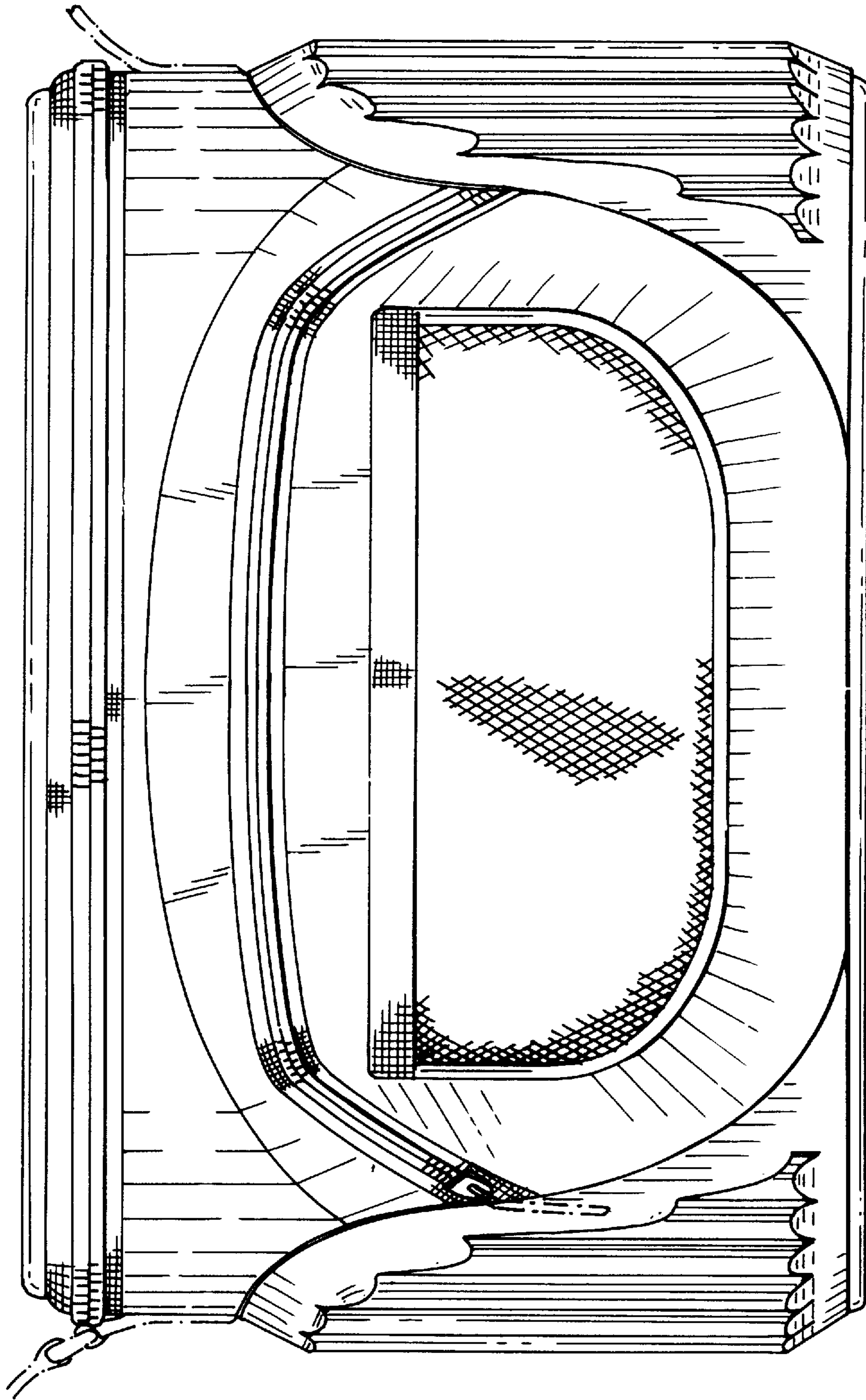


FIG. 2



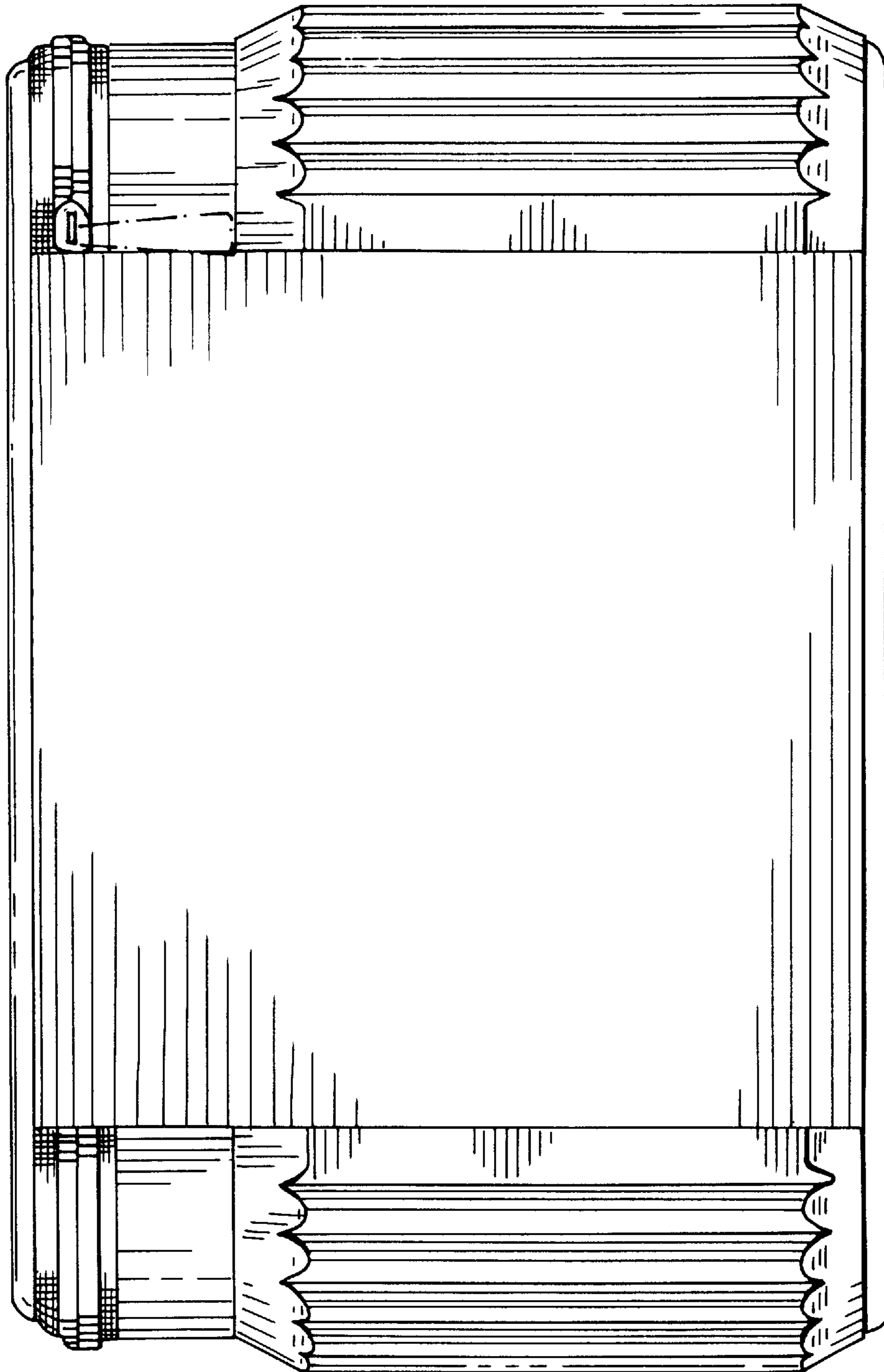


FIG. 3

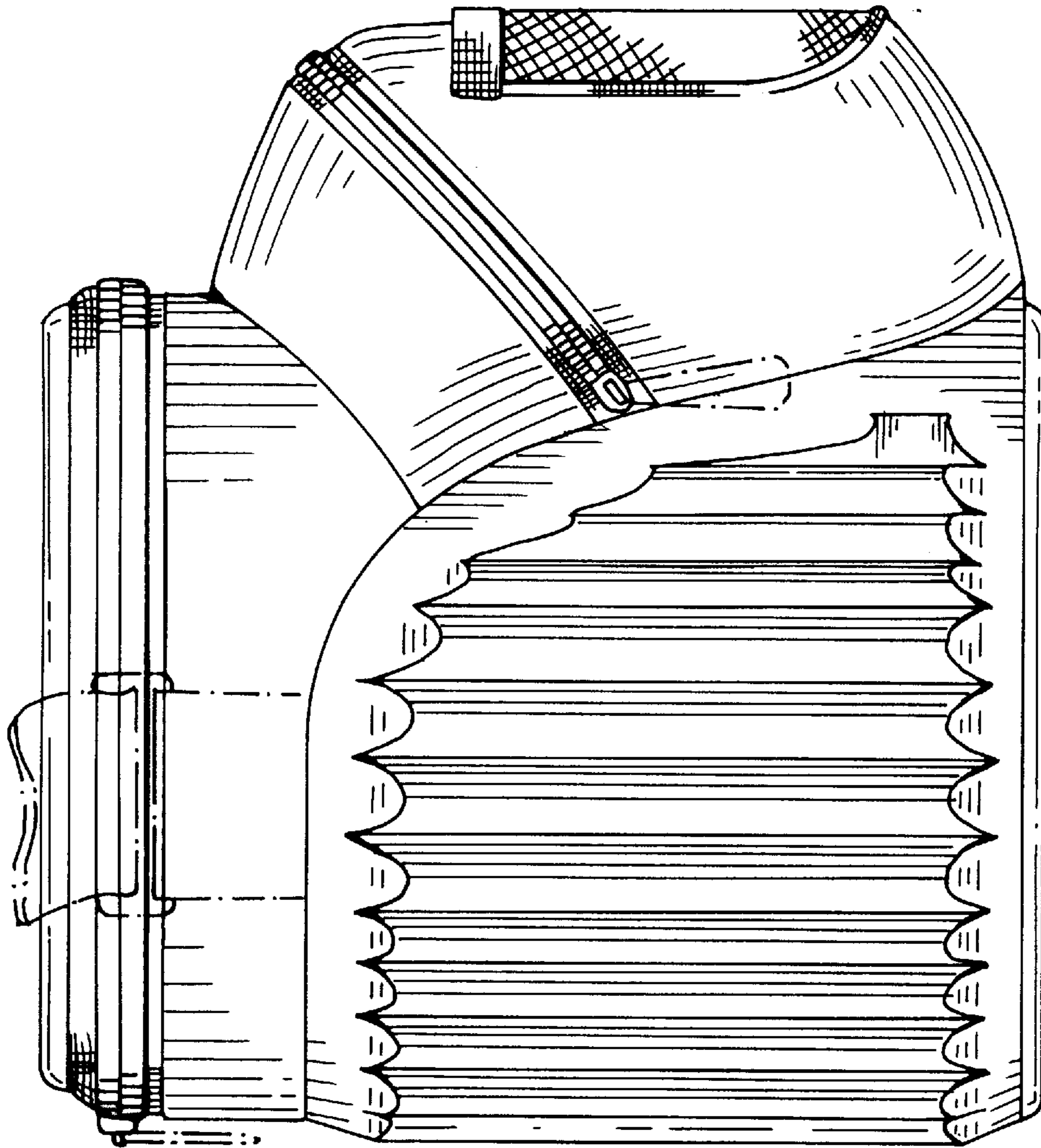


FIG. 4

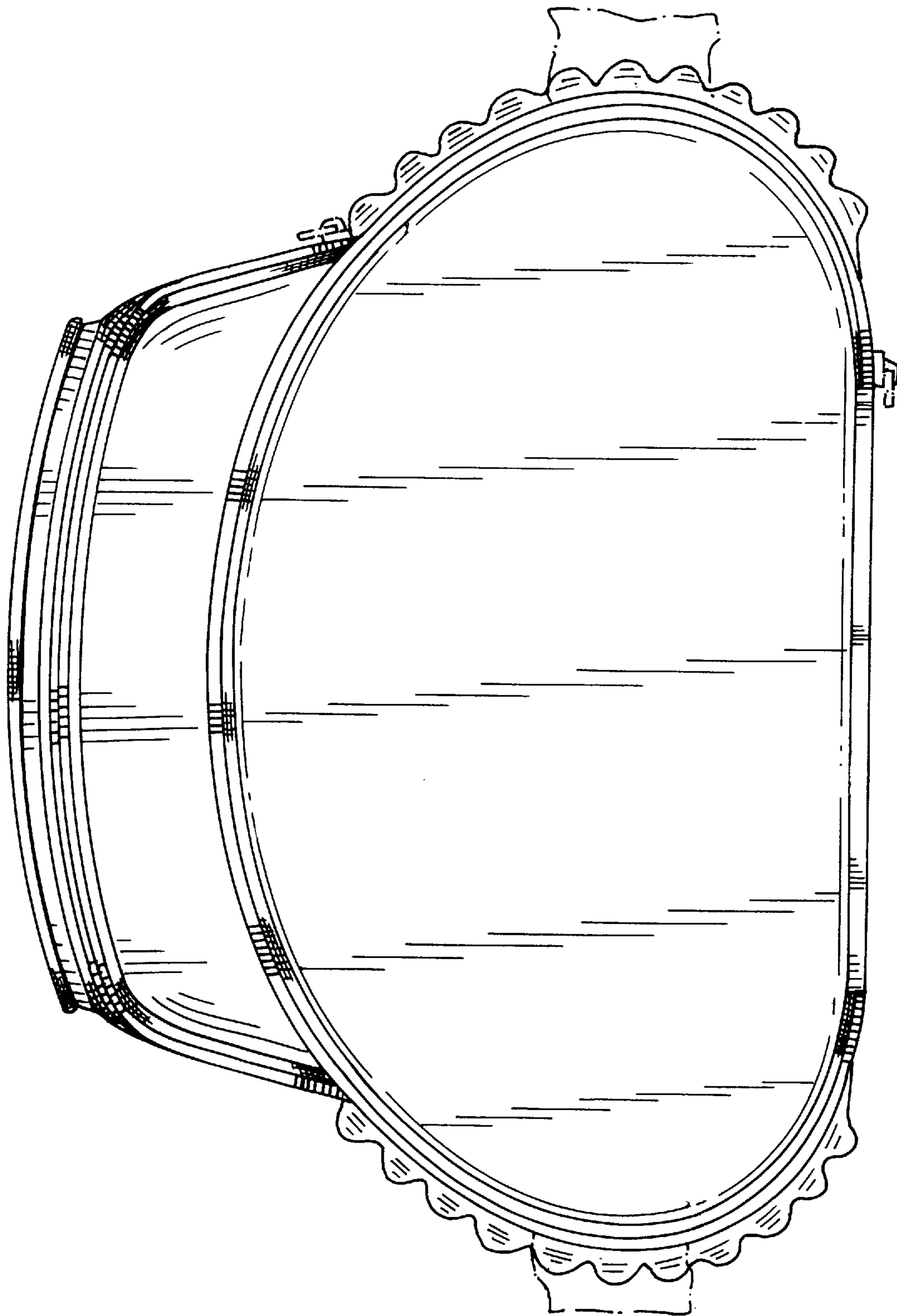


FIG. 5

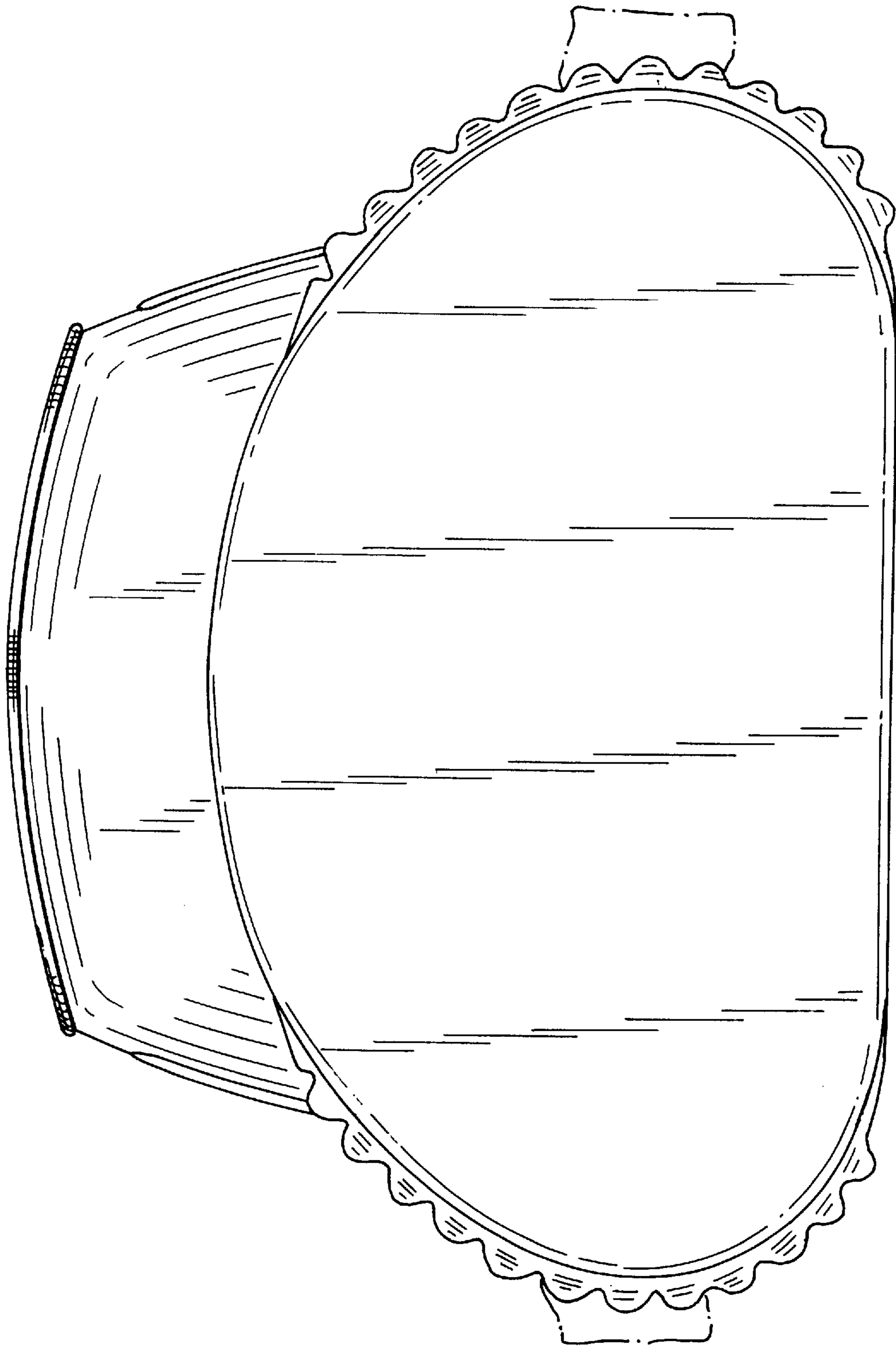


FIG. 6