



US00D406728S

United States Patent [19]

[11] Patent Number: **Des. 406,728**

Freese et al.

[45] Date of Patent: ****Mar. 16, 1999**

[54] **LUNCH COOLER**

[75] Inventors: **T. Brent Freese**, Gurnee, Ill.; **Douglas Carpiaux**, Milwaukee, Wis.; **Eric Fickas**, Germantown, Wis.; **Raymond Klein**, Milwaukee, Wis.; **Scott Micoley**, Cedarburg, Wis.

[73] Assignee: **Outer Circle Products, Ltd.**, Chicago, Ill.

[**] Term: **14 Years**

[21] Appl. No.: **84,603**

[22] Filed: **Mar. 6, 1998**

[51] **LOC (6) Cl.** **07-06**

[52] **U.S. Cl.** **D7/605**

[58] **Field of Search** D7/605, 607, 709; D3/273, 276, 283, 287, 289, 290, 301; 62/457.1, 457.7, 371; 206/223, 541, 545, 546, 549; 220/410-412, DIG. 10; 383/109, 110, 113

[56] **References Cited**

U.S. PATENT DOCUMENTS

D. 280,864 10/1985 Allen D3/283

Primary Examiner—Terry A. Wallace
Attorney, Agent, or Firm—Trexler, Bushnell, Giangiorgi & Blackstone, Ltd.

[57] **CLAIM**

The ornamental design for a lunch cooler, as shown and described.

DESCRIPTION

FIG. 1 is a top, right side, perspective view of a lunch cooler of the present design, zipper pulls on the design being shown in broken line and forming no part of the present design;

FIG. 2 is a front elevational view thereof;

FIG. 3 is a rear elevational view thereof; and

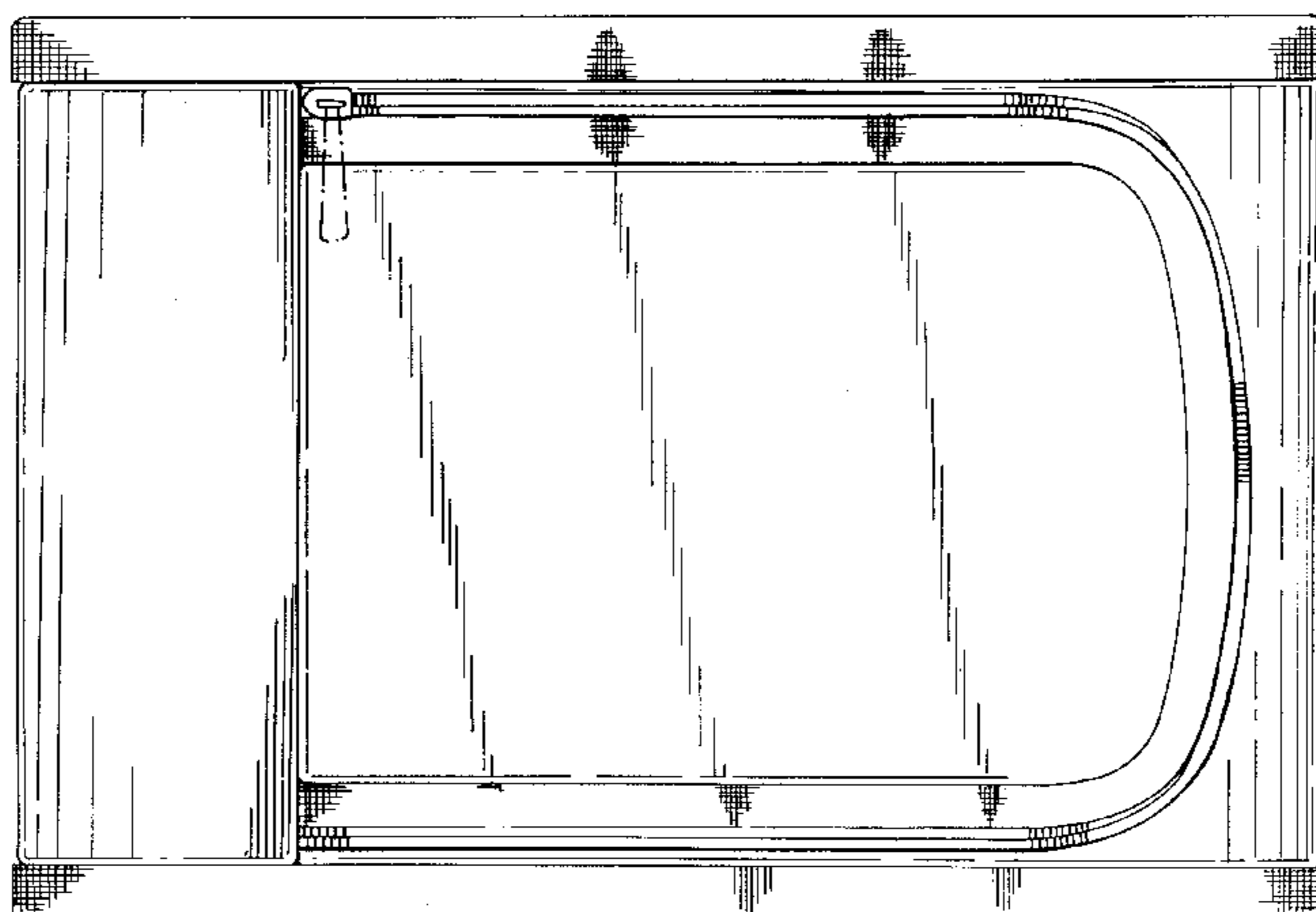
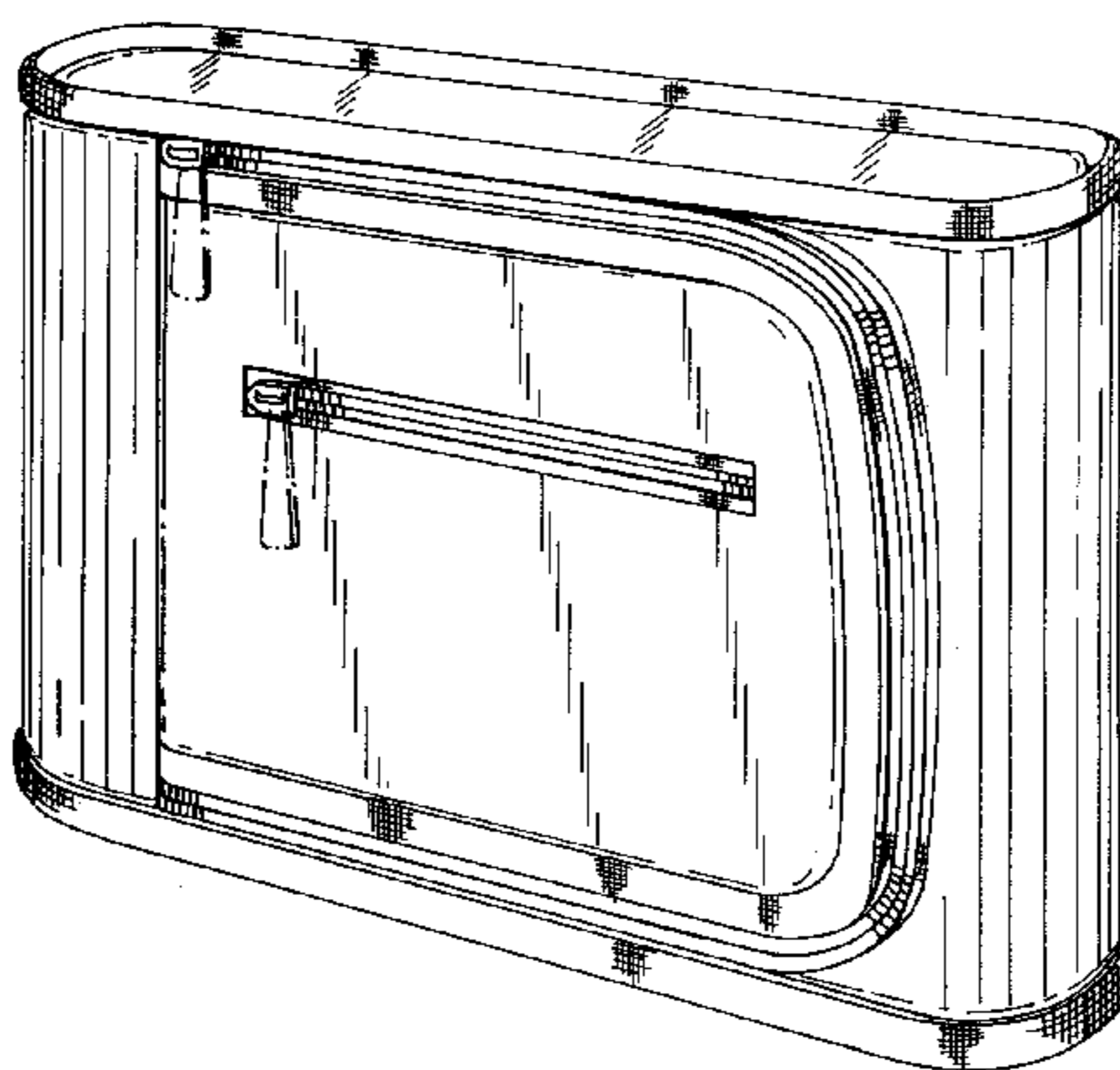
FIG. 4 is a left side elevational view thereof;

FIG. 5 is a right side elevational view thereof;

FIG. 6 is a bottom plan view thereof, a top plan view being a mirror image thereof; and,

FIG. 7 is a front elevation view of an alternate embodiment of FIG. 1, the difference being the absence of the middle horizontally oriented zipper.

1 Claim, 6 Drawing Sheets



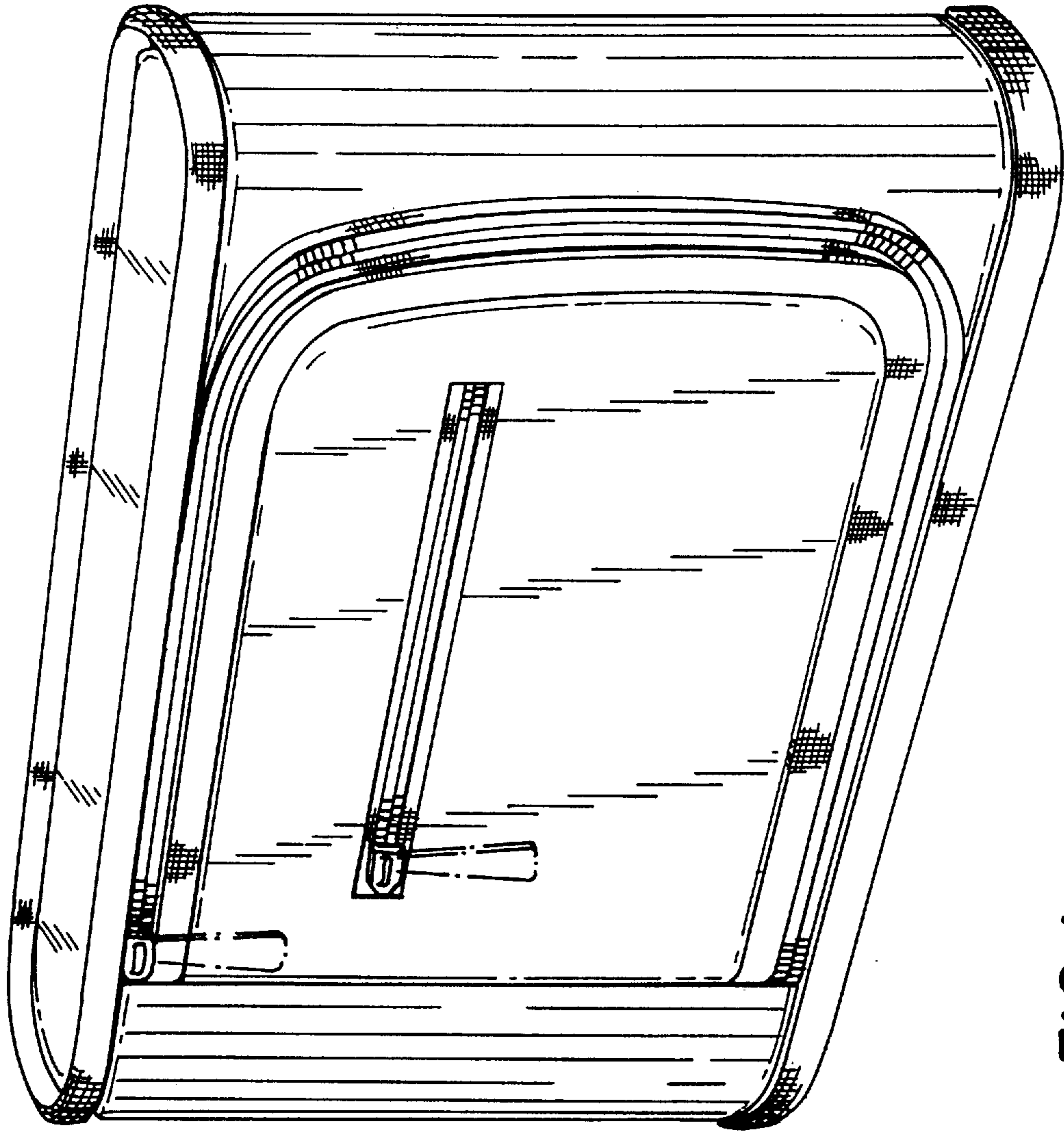


FIG. 1

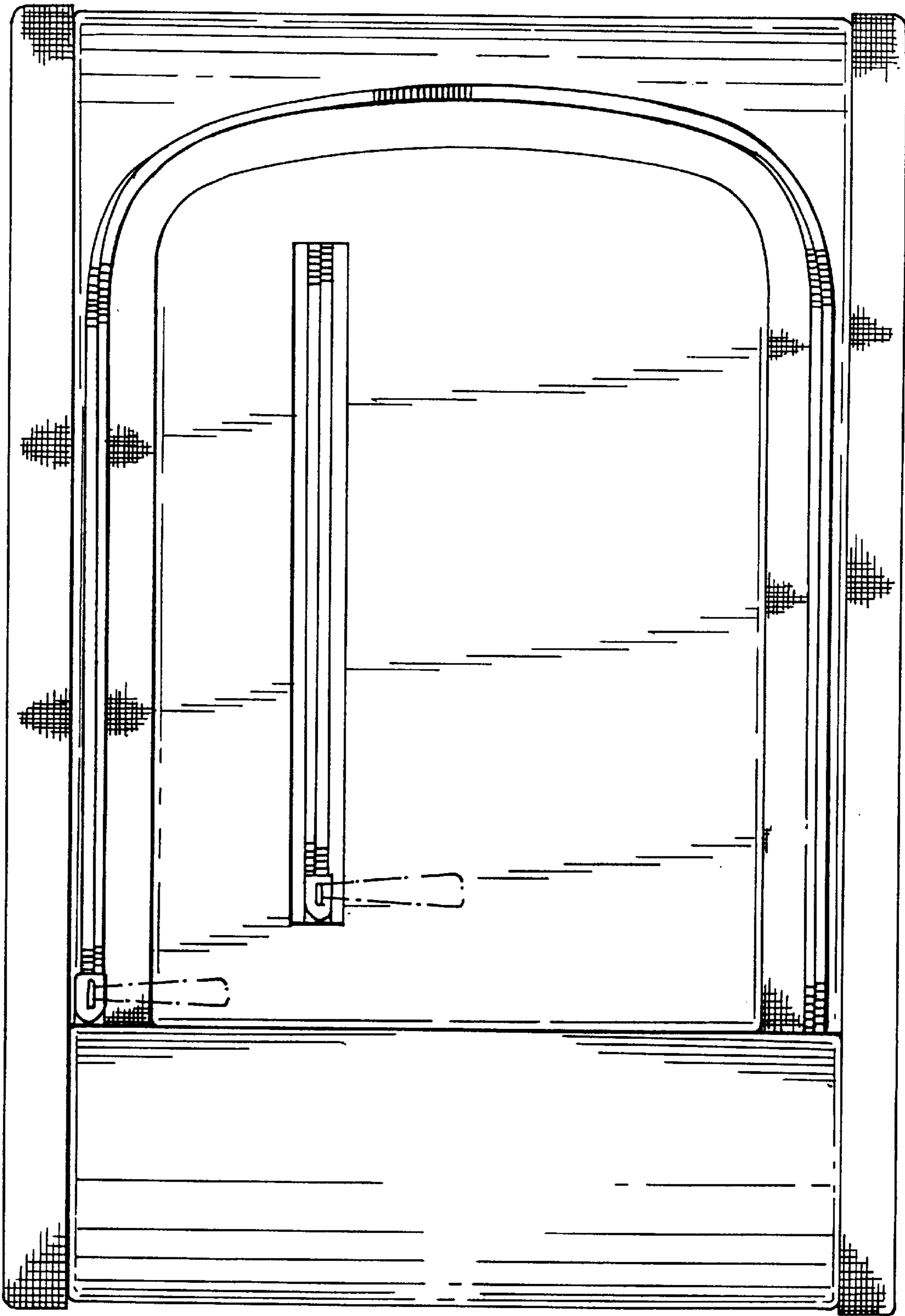


FIG. 2

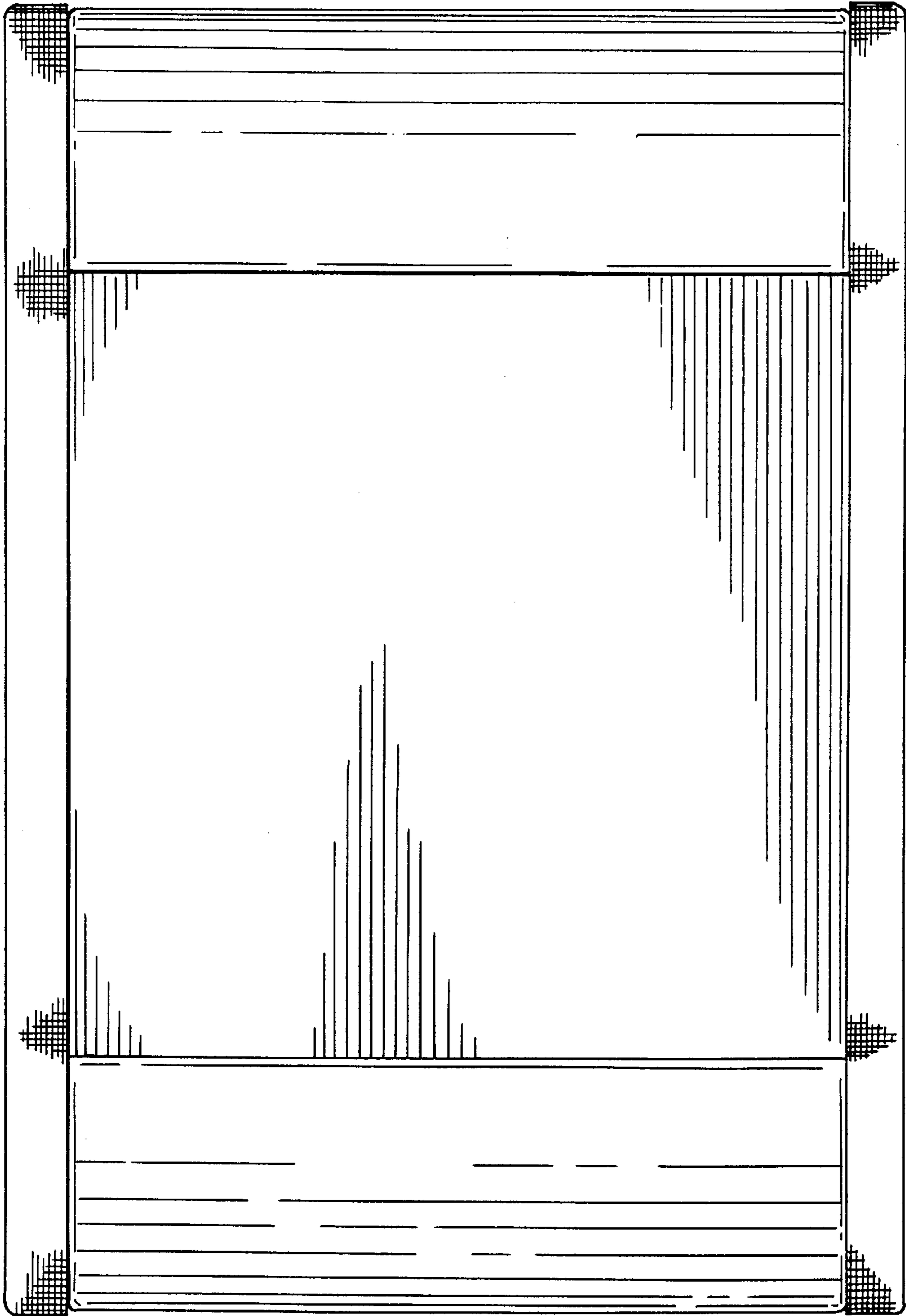


FIG. 3

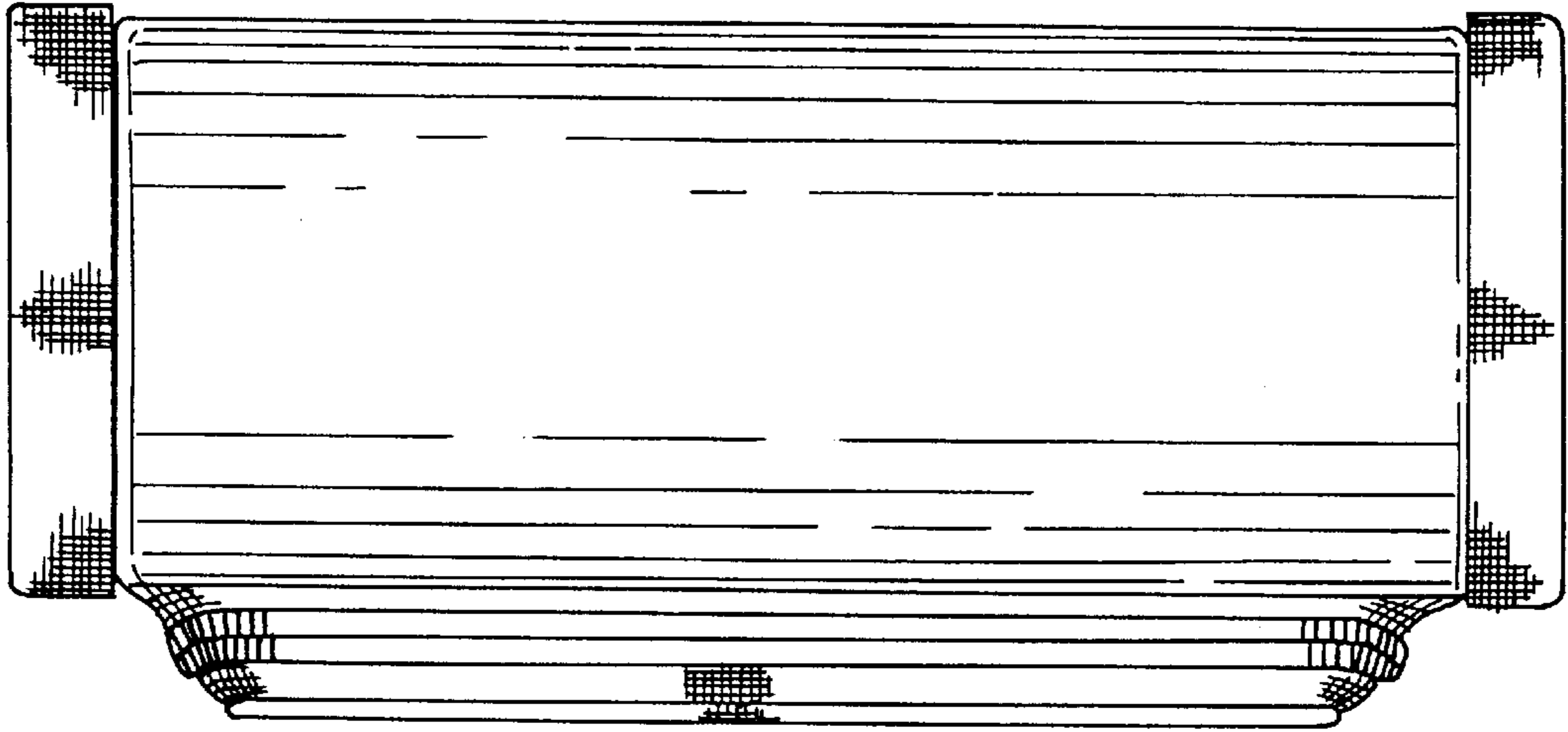


FIG. 5

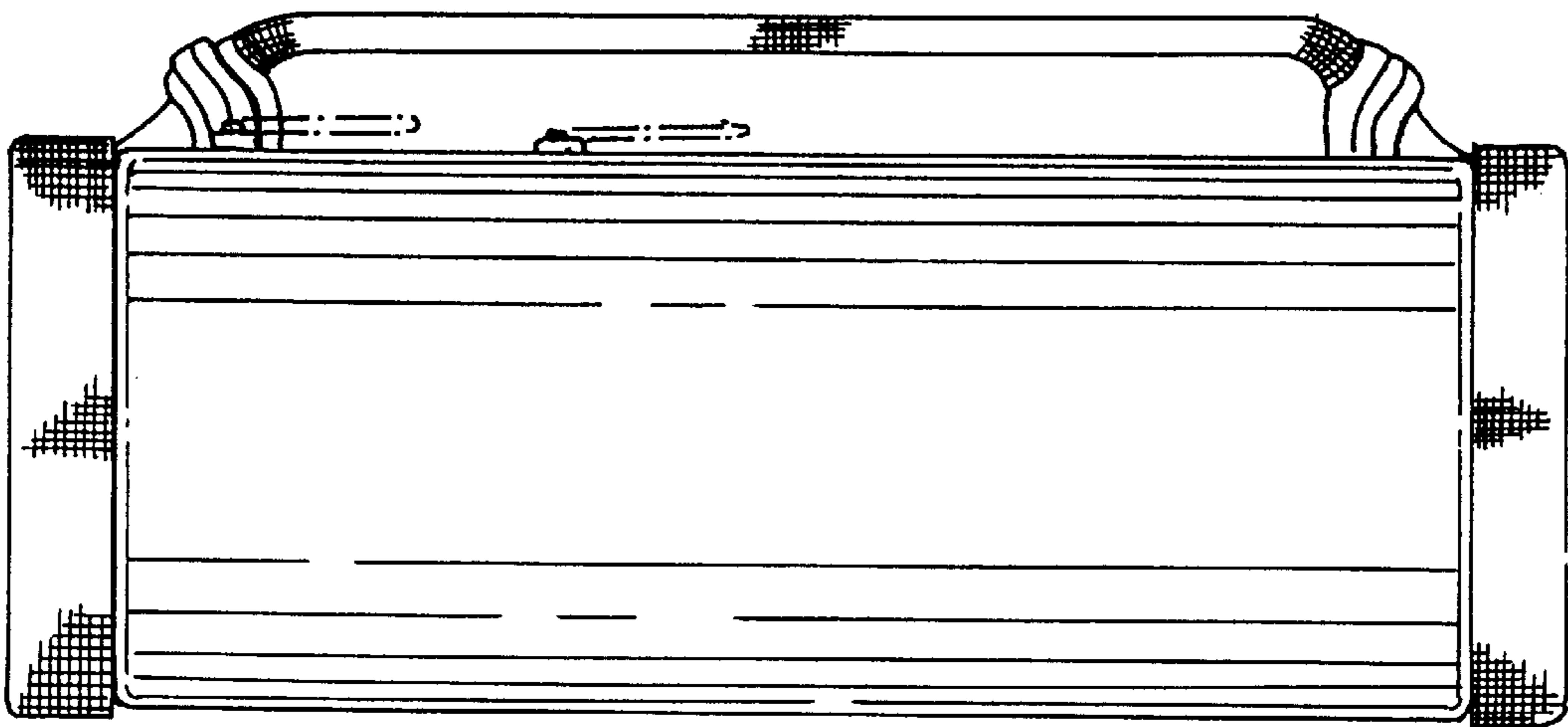


FIG. 4

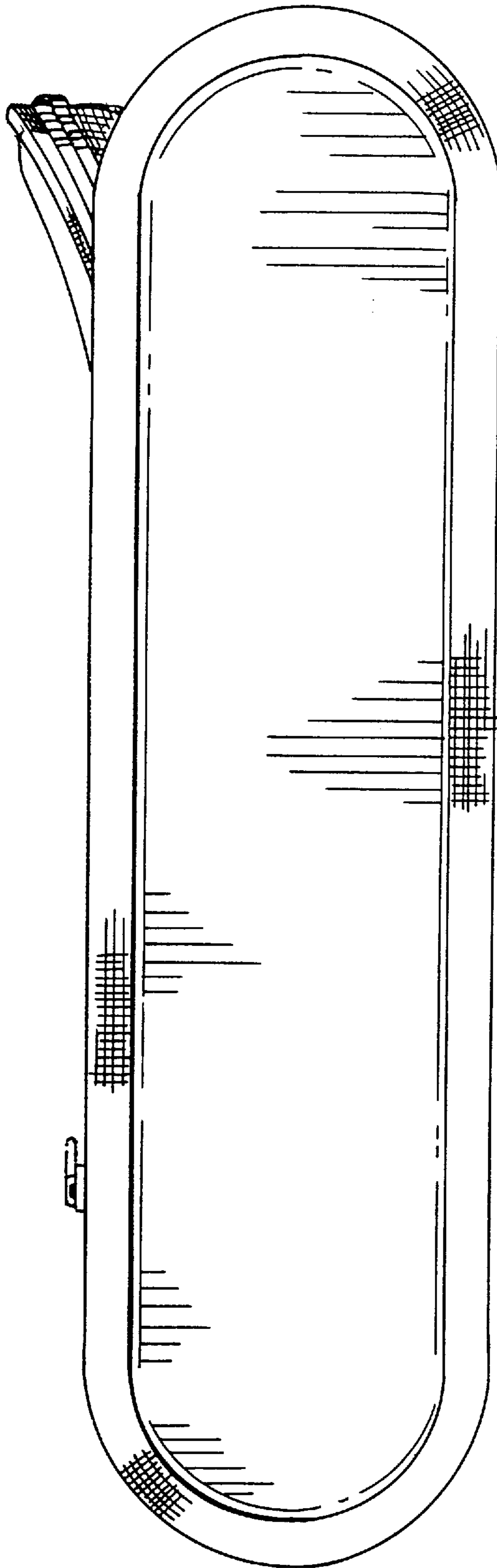


FIG. 6

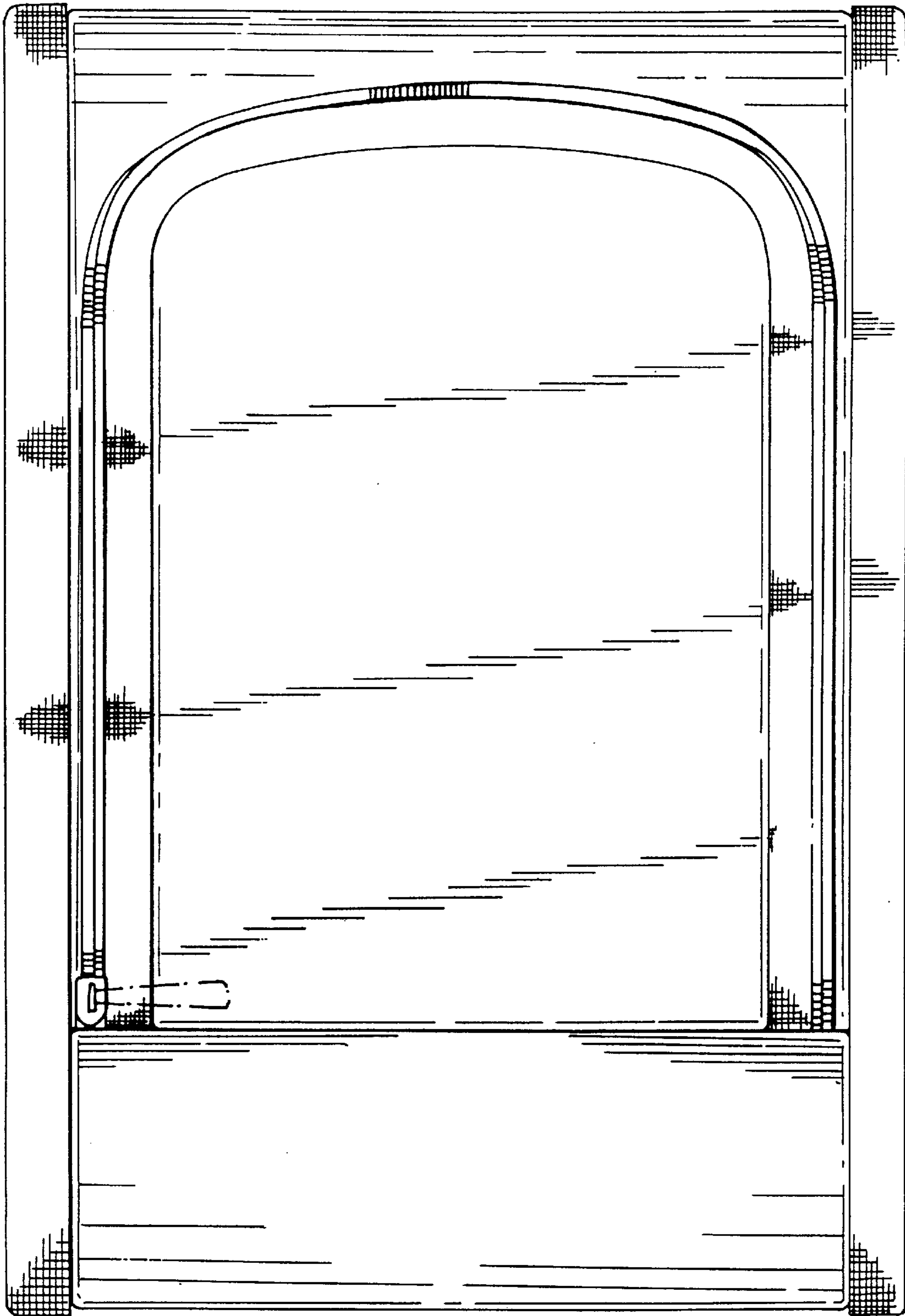


FIG. 7