



US00D406727S

United States Patent [19]

Weatherby et al.

[11] **Patent Number: Des. 406,727**

[45] **Date of Patent: **Mar. 16, 1999**

[54] **PICNIC TRAY**

[76] Inventors: **Donald W. Weatherby**, 5 Atlanta, Mansfield, Tex. 76063; **Glenn David Weatherby**, 2700 Dave Angel Rd., Burleson, Tex. 76028; **Christopher Rhea Poe**, 511 Plainview, Mansfield, Tex. 76063

[**] Term: **14 Years**

[21] Appl. No.: **91,582**

[22] Filed: **Jul. 31, 1998**

[51] **LOC (6) Cl. 07-01**

[52] **U.S. Cl. D7/553.1; D7/553.5**

[58] **Field of Search D7/553.1, 553.2, D7/553.5, 553.8, 555; D6/406.2; 206/561; 220/575, 23.8, 556**

[56] **References Cited**

U.S. PATENT DOCUMENTS

- D. 166,735 5/1952 Chaplin D7/553.5
- D. 271,932 12/1983 Mosley D7/553.2
- D. 284,824 7/1986 Marshall D7/553.1

- D. 336,407 6/1993 Harding et al. D7/553.2
- D. 364,072 11/1995 Keable D7/553.2
- 3,601,277 8/1971 Andrews 220/23.8
- 5,678,694 10/1997 Tanaka et al. 206/561

Primary Examiner—M. N. Pandozzi
Attorney, Agent, or Firm—Guy V. Manning

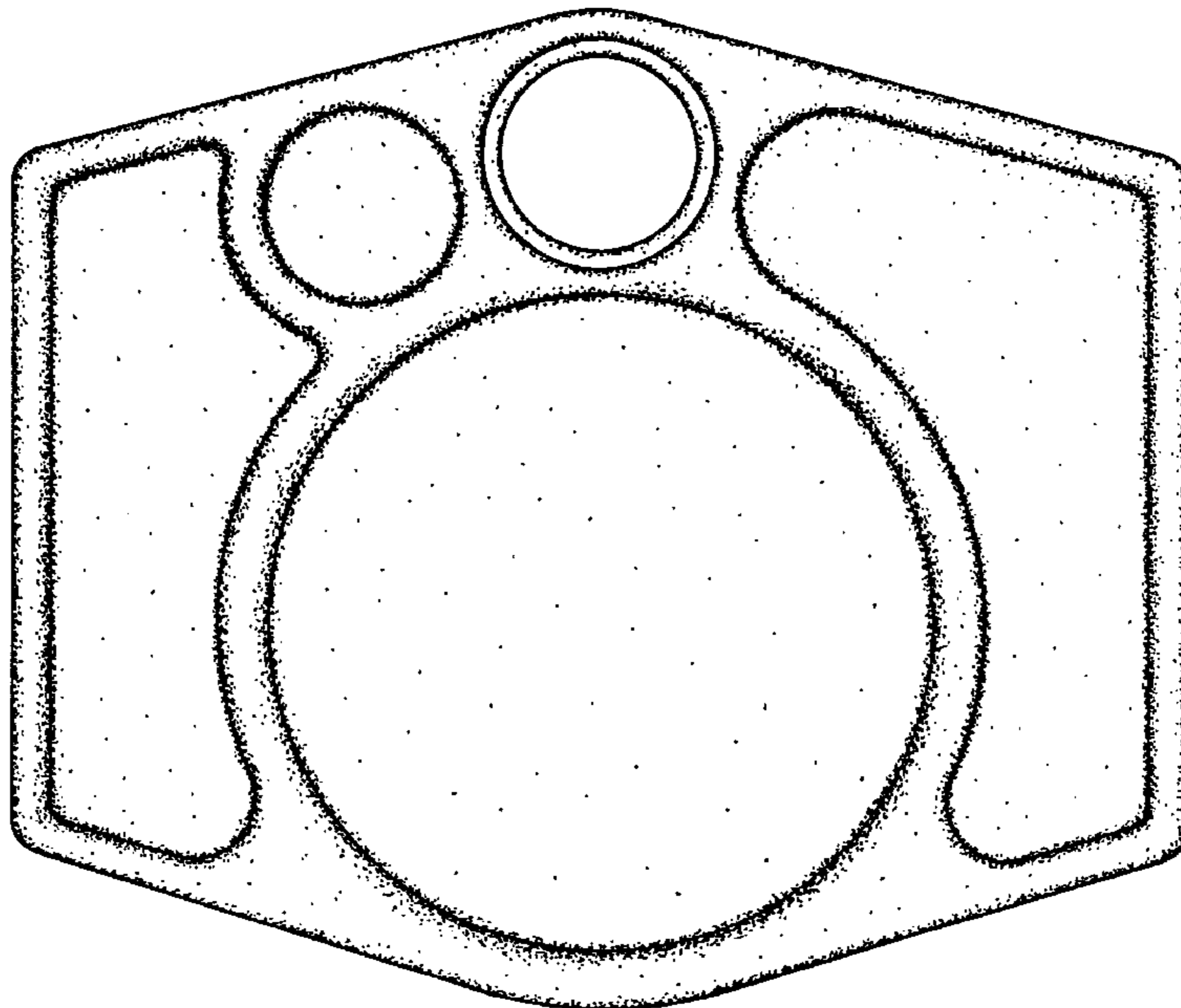
[57] **CLAIM**

The ornamental design for a picnic tray, as shown and described.

DESCRIPTION

FIG. 1 is a top plan view of a preferred embodiment of the picnic tray of the present invention; FIG. 2 is a right side elevational view thereof, the left side elevational view thereof being the mirror image of FIG. 2; FIG. 3 is a rear side elevational view thereof; FIG. 4 is a front side elevational view thereof; FIG. 5 is a bottom plan view thereof; and, FIG. 6 is a bottom plan view of an alternate embodiment of the picnic tray of the present invention, the remaining views thereof being the same as the corresponding views of the preferred embodiment shown in FIGS 1 and 4.

1 Claim, 2 Drawing Sheets



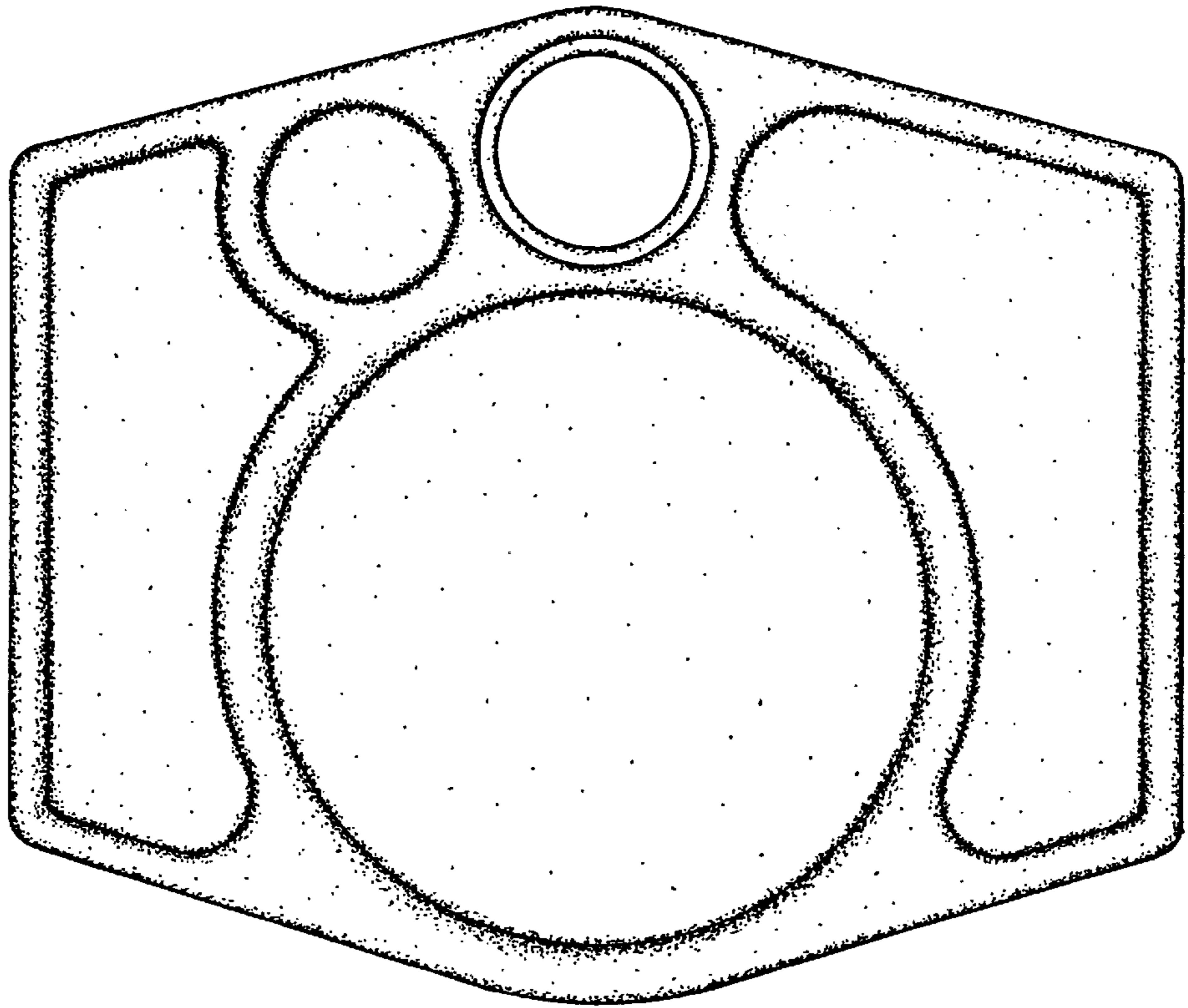


Fig. 1



Fig. 2



Fig. 3



Fig. 4

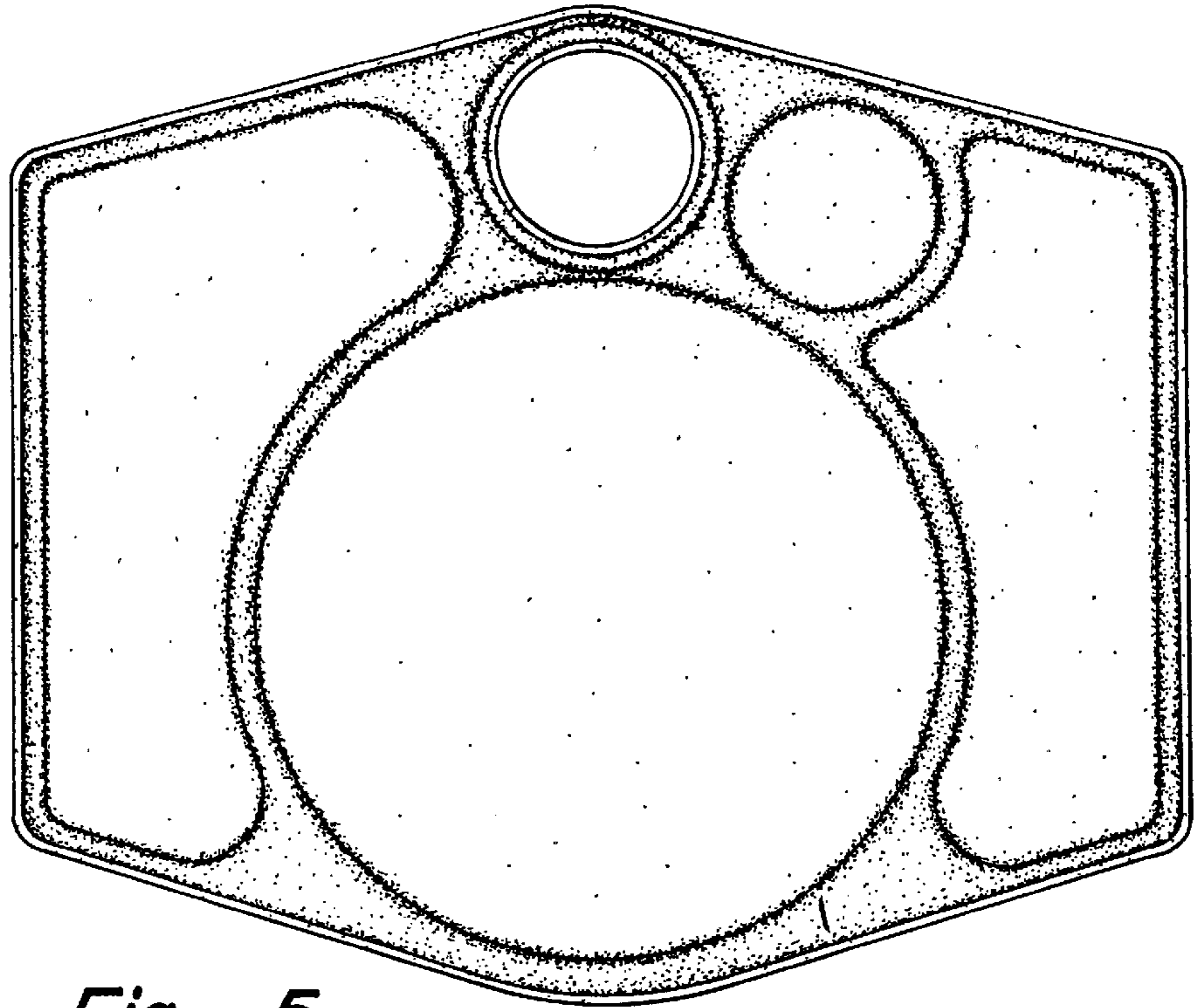


Fig. 5

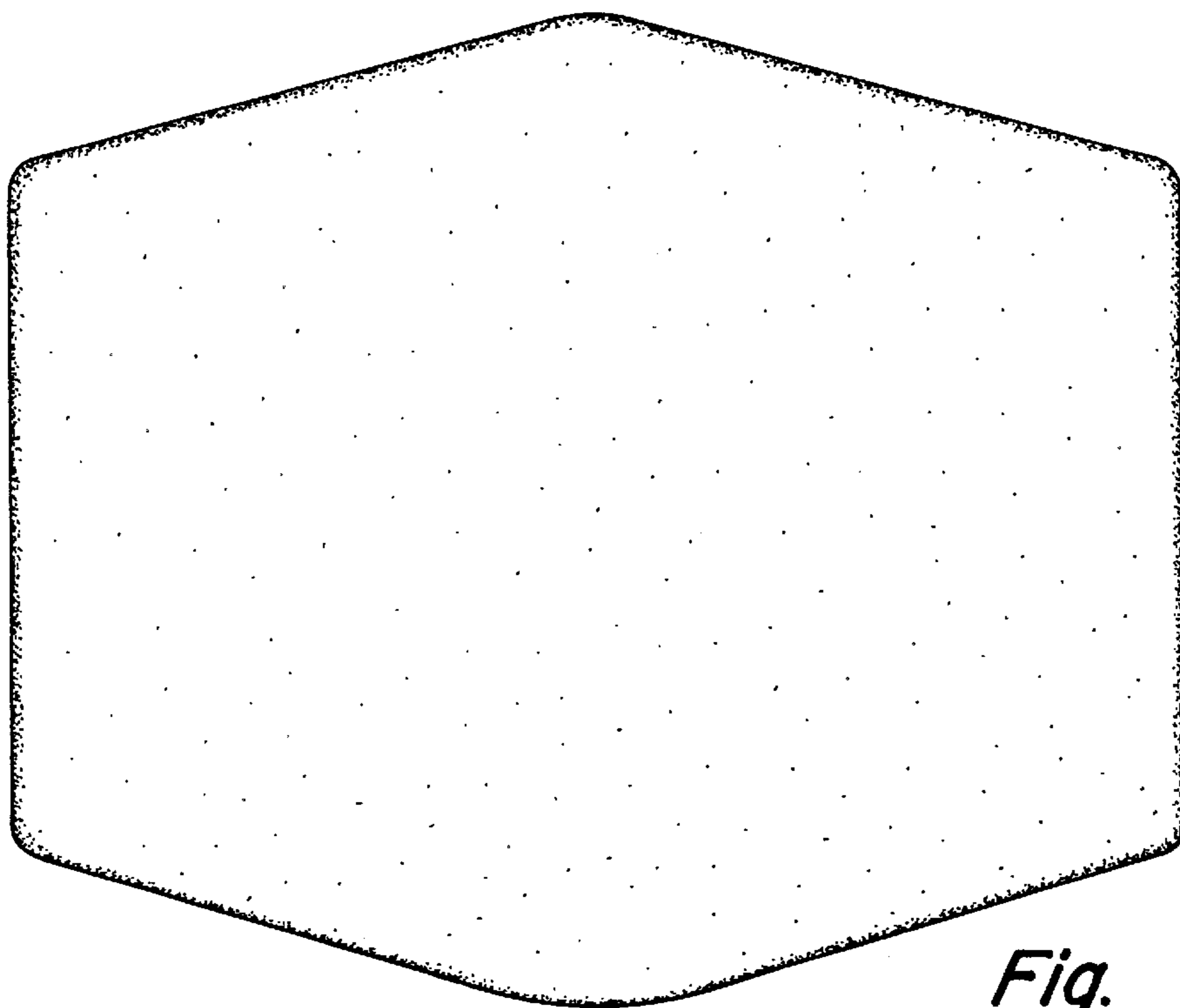


Fig. 6