



US00D406726S

**United States Patent** [19]  
**Horvat**

[11] **Patent Number: Des. 406,726**

[45] **Date of Patent: \*\*Mar. 16, 1999**

[54] **CUP**

[75] **Inventor: Davorin Horvat, Milan, Italy**

[73] **Assignee: ARACARIA B.V., Amsterdam, Netherlands**

[\*\*] **Term: 14 Years**

[21] **Appl. No.: 90,424**

[22] **Filed: Jul. 8, 1998**

[30] **Foreign Application Priority Data**

Jan. 8, 1998 [GB] United Kingdom ..... 2.071.525

[51] **LOC (6) Cl. .... 07-01**

[52] **U.S. Cl. .... D7/531; D7/536**

[58] **Field of Search .... D7/536, 533, 622, D7/531, 523, 509; 220/771, 662, 755, 671**

[56] **References Cited**

**U.S. PATENT DOCUMENTS**

- D. 47,721 8/1915 Haley ..... D7/531
- D. 78,256 4/1929 Bergner ..... D7/536
- D. 81,984 9/1930 Kirkpatrick ..... D7/531

- D. 101,958 11/1936 Kogan ..... D7/536
- D. 247,601 3/1978 Schreckengost ..... D7/536
- D. 286,966 12/1986 Ritman ..... D7/536
- D. 290,325 6/1987 Ritman ..... D7/536
- D. 305,194 12/1989 Durand ..... D7/536
- D. 341,449 11/1993 Conner ..... D7/531
- D. 354,883 1/1995 Marsten et al. .... D7/536
- D. 396,605 8/1998 Benson ..... D7/536
- 5,279,442 1/1994 Jentzsch et al. .... 220/671

*Primary Examiner*—M. N. Pandozzi  
*Attorney, Agent, or Firm*—Notaro & Michalos P.C.

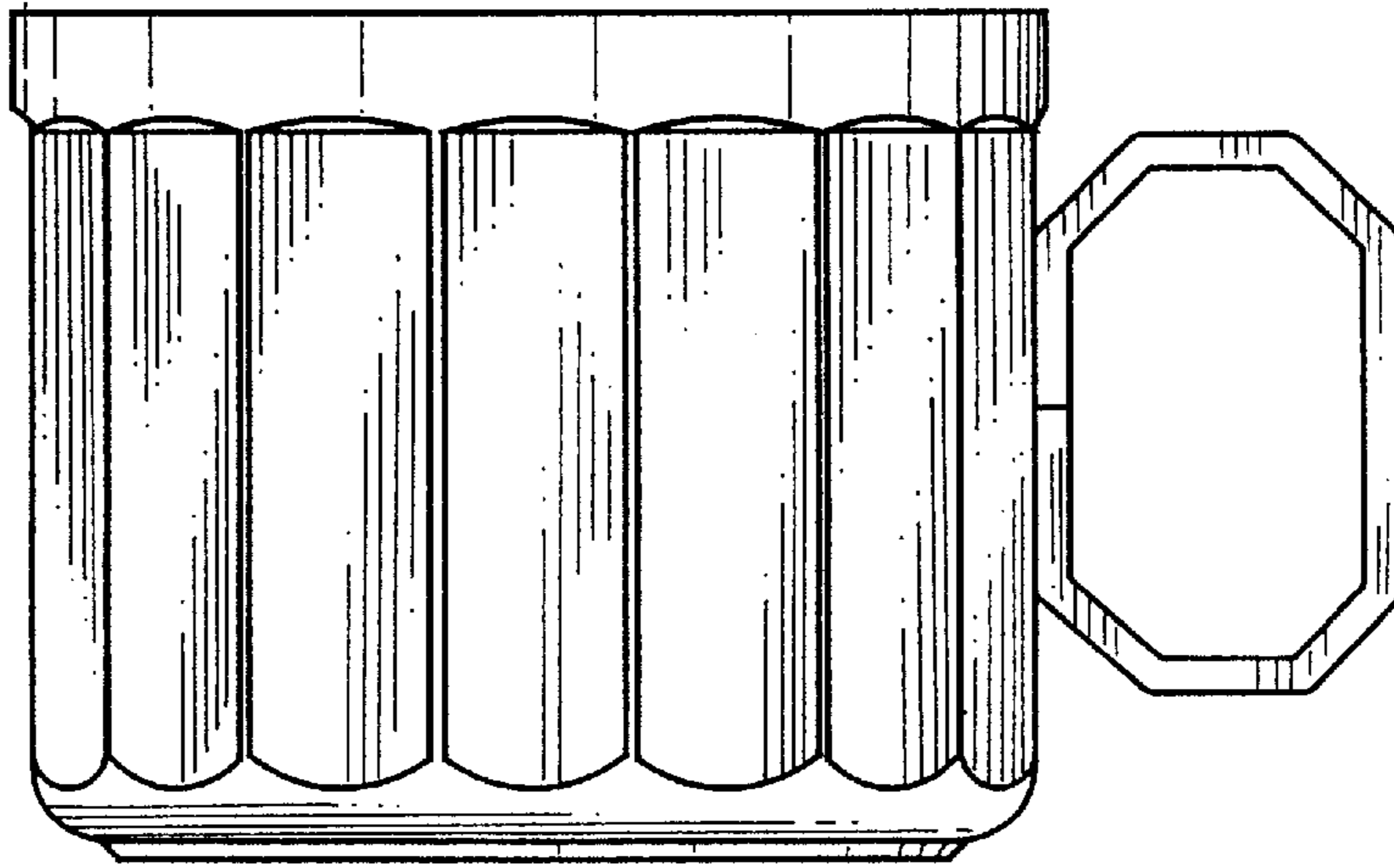
[57] **CLAIM**

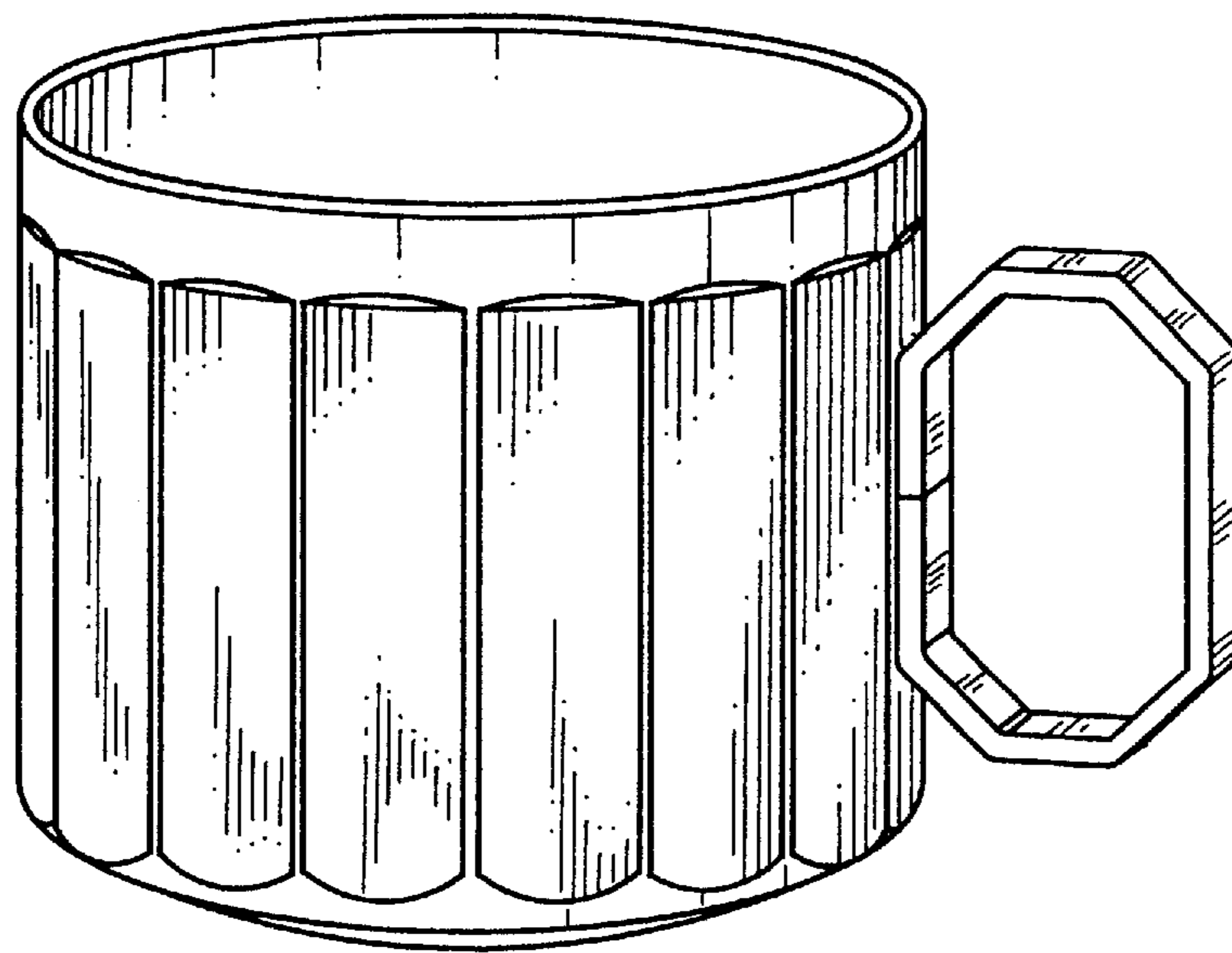
The ornamental design for a cup, as shown and described.

**DESCRIPTION**

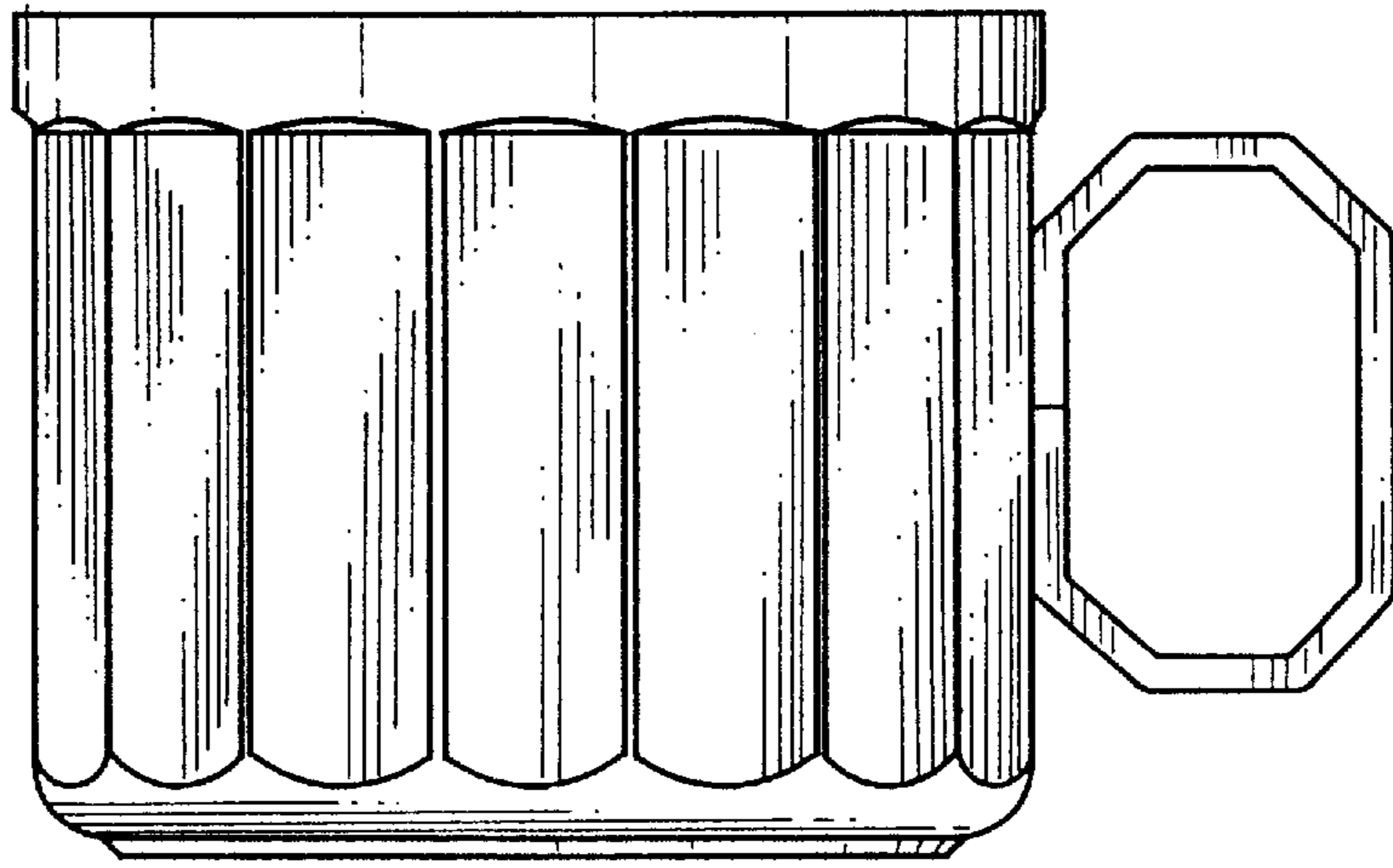
FIG. 1 is a perspective view of a cup showing my new design therefor;  
FIG. 2 is a front elevational view thereof, the rear elevational view being an identical mirror image thereof;  
FIG. 3 is a left-side elevational view thereof;  
FIG. 4 is a right-side elevational view thereof;  
FIG. 5 is a top plan view thereof; and,  
FIG. 6 is a bottom plan view thereof.

**1 Claim, 5 Drawing Sheets**

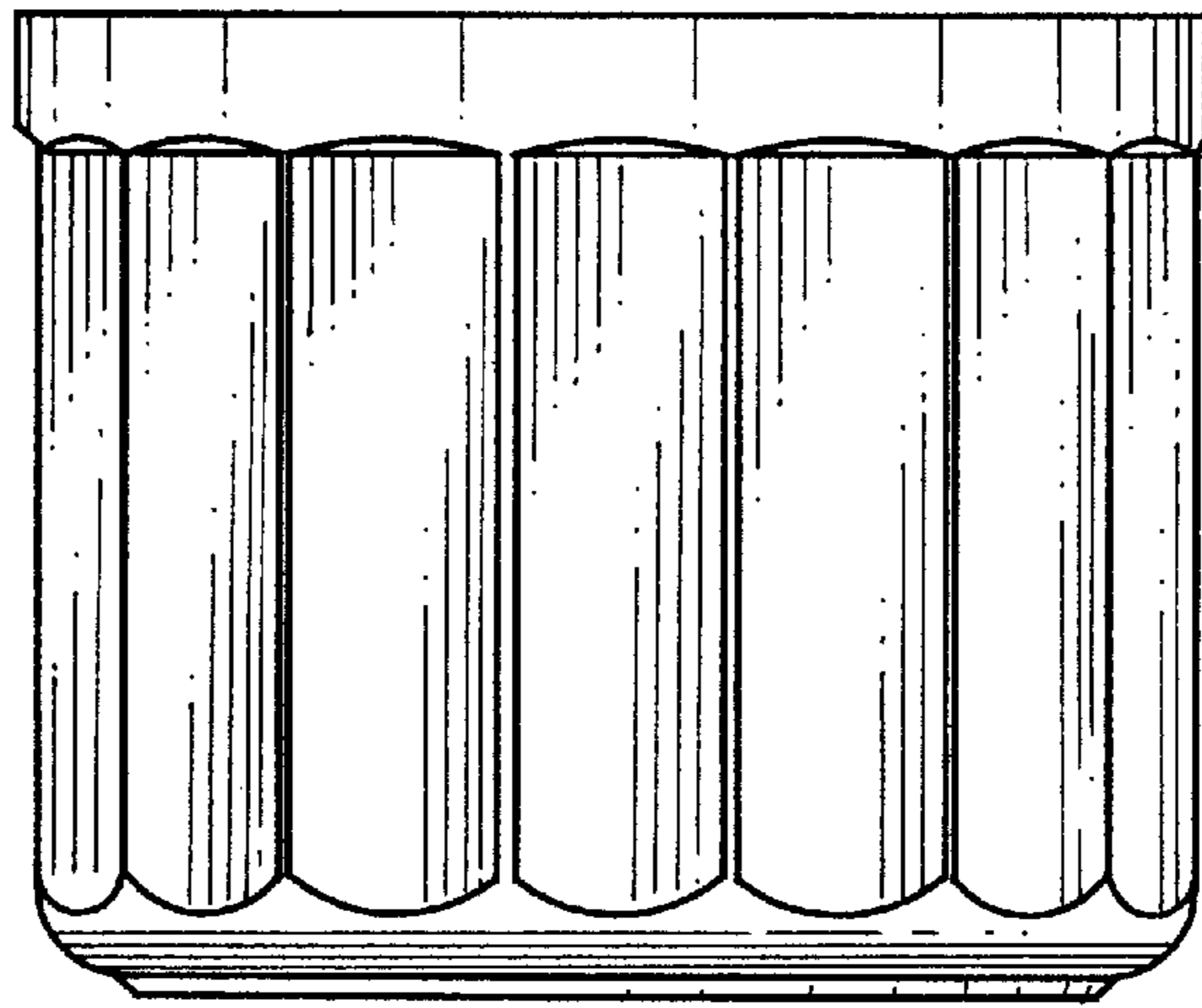




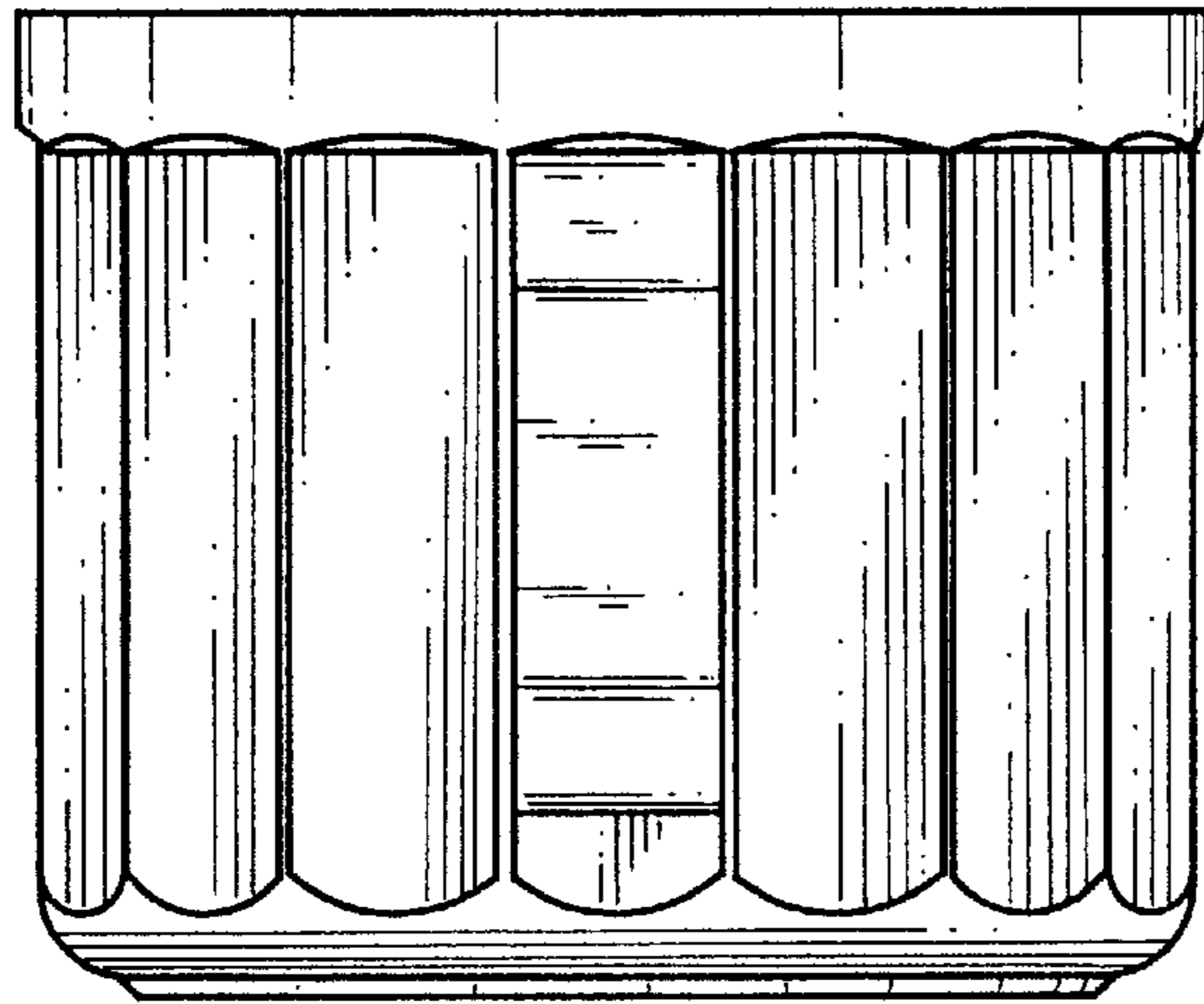
*FIG. 1*



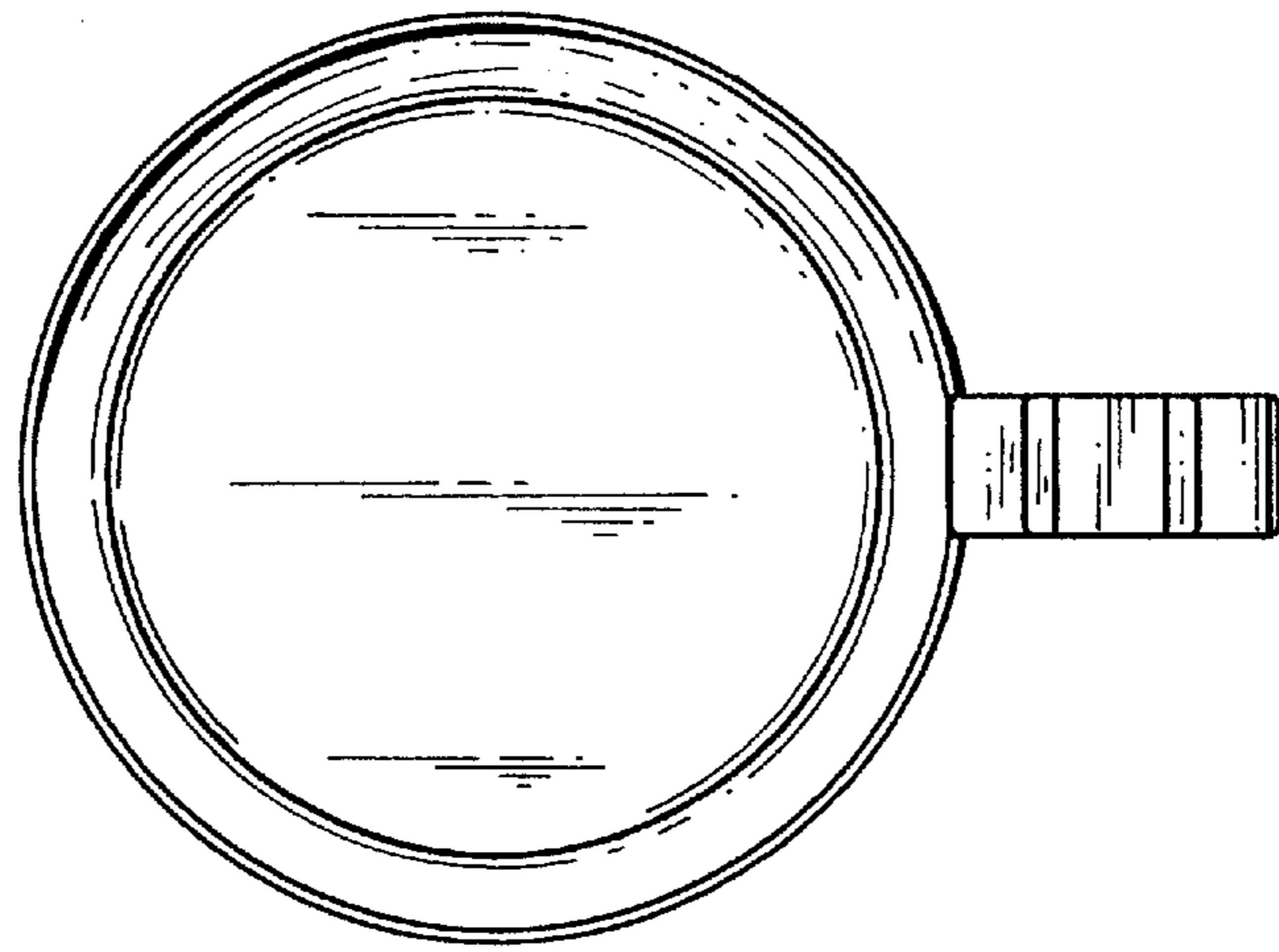
*FIG. 2*



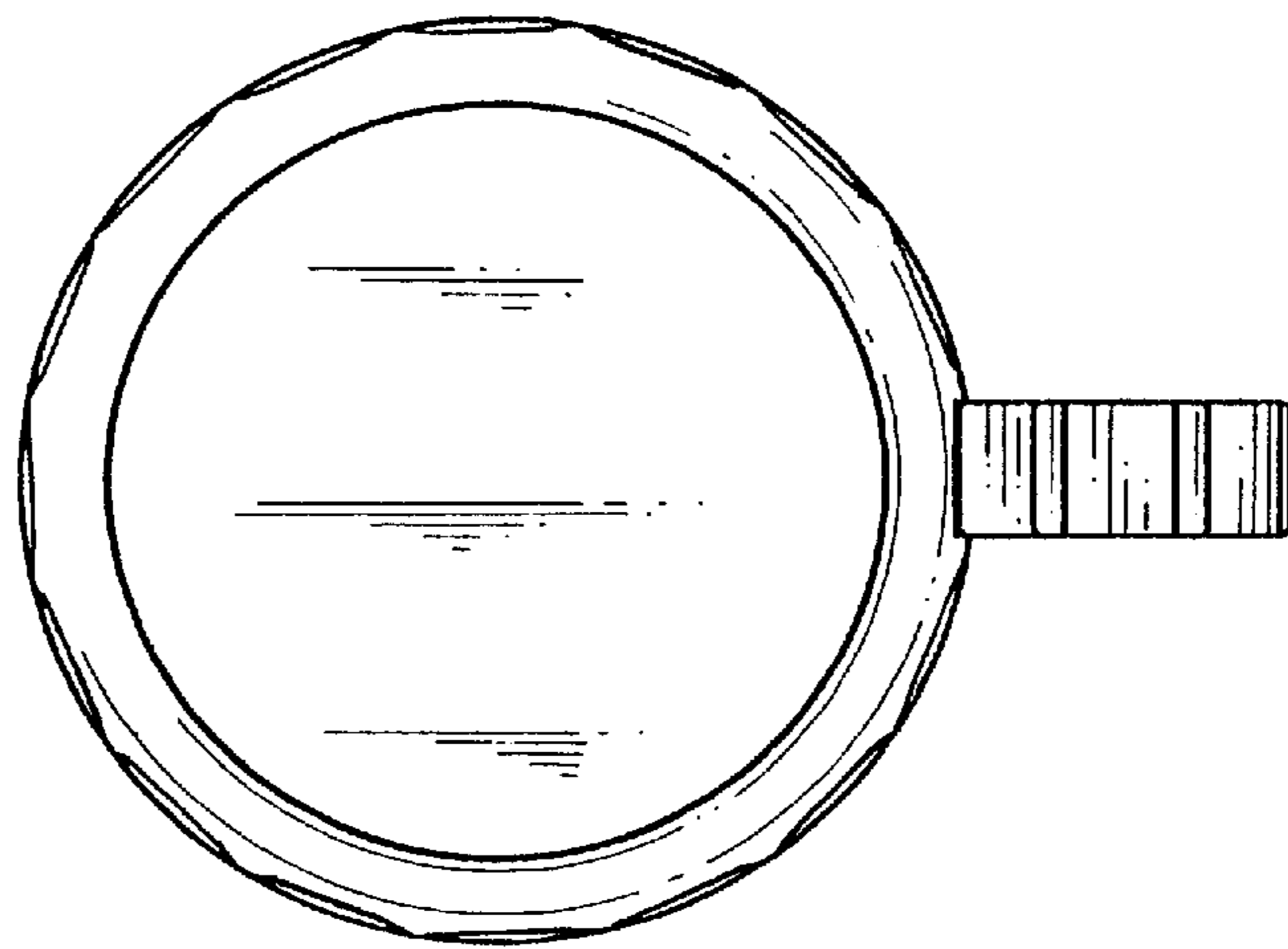
*FIG. 3*



*FIG. 4*



*FIG. 5*



*FIG. 6*