



US00D406725S

United States Patent [19] Joergensen

[11] Patent Number: **Des. 406,725**

[45] Date of Patent: ****Mar. 16, 1999**

[54] **ONE CUP COFFEE FILTER**

[75] Inventor: **Carsten Joergensen**, Kriens, Switzerland

[73] Assignee: **PI-Design AG**, Triengen, Switzerland

[**] Term: **14 Years**

[21] Appl. No.: **74,995**

[22] Filed: **Aug. 5, 1997**

[30] **Foreign Application Priority Data**

Jul. 2, 1997 [DK] Denmark 155/97

[51] **LOC (6) Cl.** **07-99**

[52] **U.S. Cl.** **D7/400; D7/533; D7/511**

[58] **Field of Search** D7/510, 533, 400, D7/511, 399; 219/475, 474, 499; D23/209; 99/306

[56] **References Cited**

U.S. PATENT DOCUMENTS

- D. 250,445 12/1978 Braun D7/400
- D. 272,308 1/1984 Schlessel D7/400
- D. 274,695 7/1984 Kennedy D7/511 X
- D. 289,726 5/1987 Greutert D7/400

- D. 299,102 12/1988 Maki D7/511 X
- D. 353,518 12/1994 Cautereels et al. D7/533
- D. 396,381 7/1998 Chung D7/510
- D. 396,605 8/1998 Benson D7/533 X
- 4,520,716 6/1985 Hayes 210/474 X
- 4,676,396 6/1987 Mamolou 210/474 X
- 4,697,503 10/1987 Okabe et al. 99/306
- 4,852,757 8/1989 Gold D7/511 X
- 4,974,741 12/1990 Gustafson et al. D7/511 X
- 5,738,786 4/1998 Winnington-Ingram 210/474

Primary Examiner—M. N. Pandozzi
Attorney, Agent, or Firm—Gary M. Nath; Nath & Associates

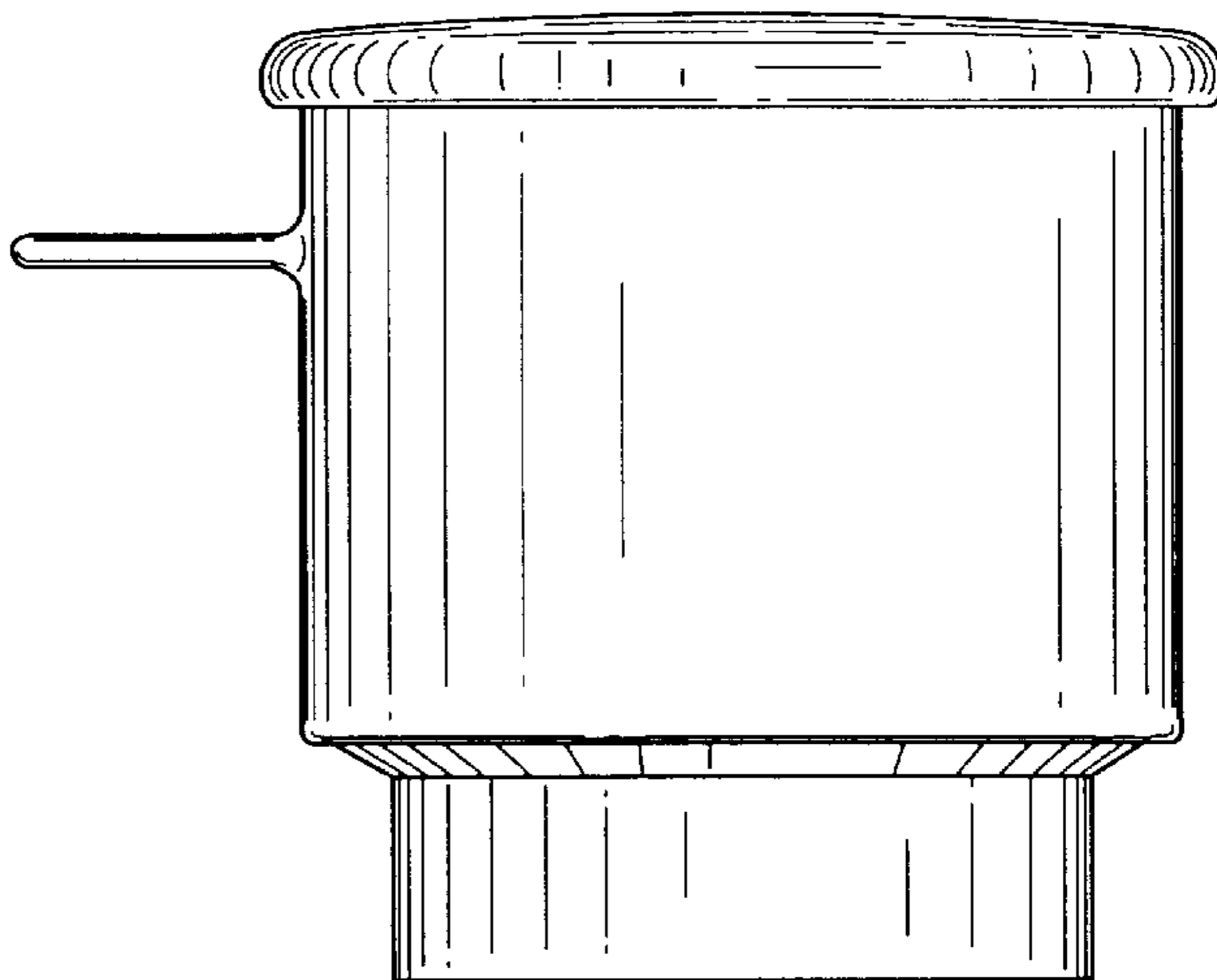
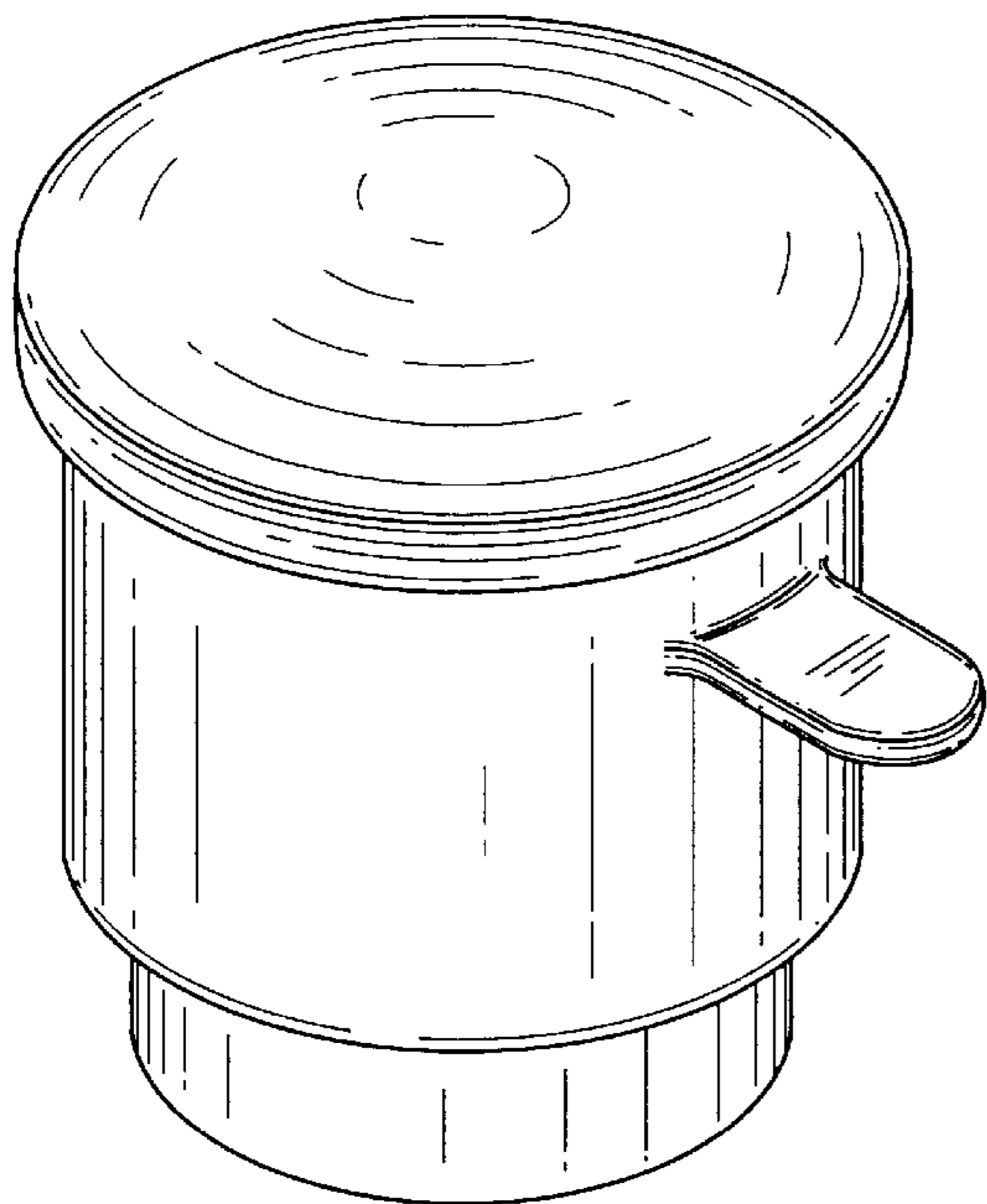
[57] **CLAIM**

The ornamental design for a one cup coffee filter, as shown and described.

DESCRIPTION

FIG. 1 is an oblique view of the one cup coffee filter; FIG. 2 is a right side view of the one cup coffee filter; FIG. 3 is a left side view of the one cup coffee filter; FIG. 4 is a front view of the one cup coffee filter; FIG. 5 is a back side view of the one cup coffee filter; FIG. 6 is a top view of the one cup coffee filter; and, FIG. 7 is a bottom view of the one cup coffee filter.

1 Claim, 4 Drawing Sheets



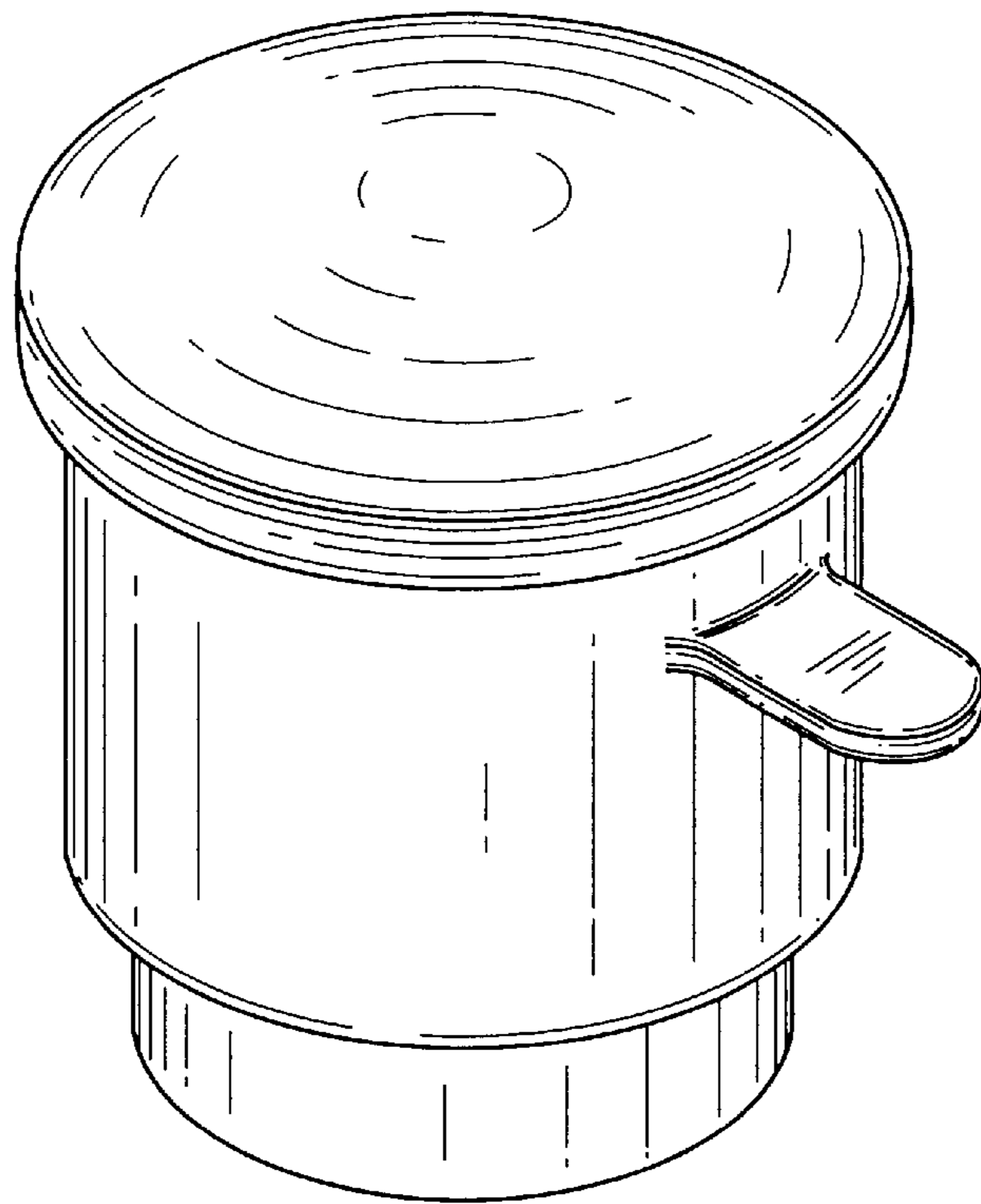


FIG. 1

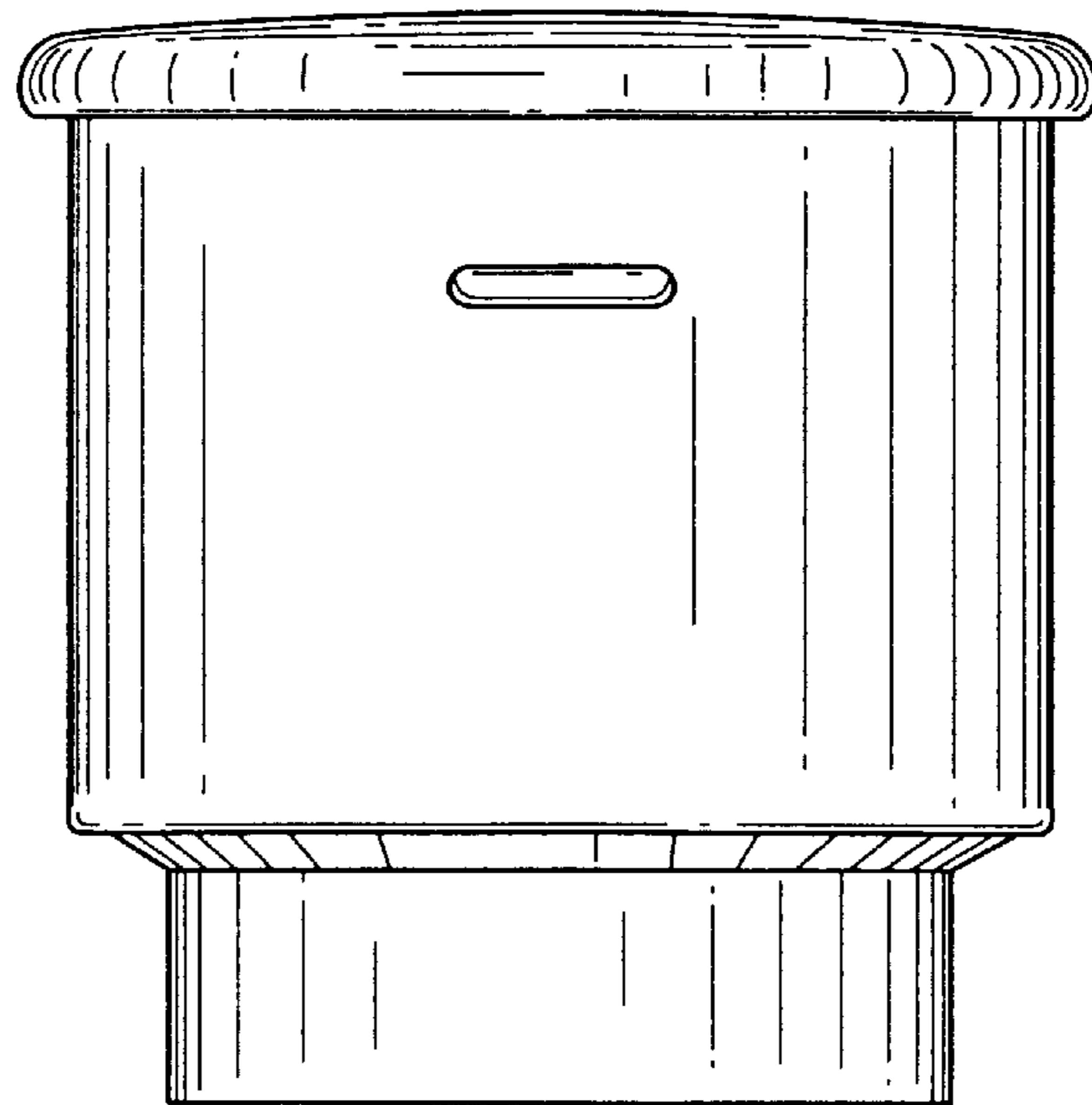


FIG. 2

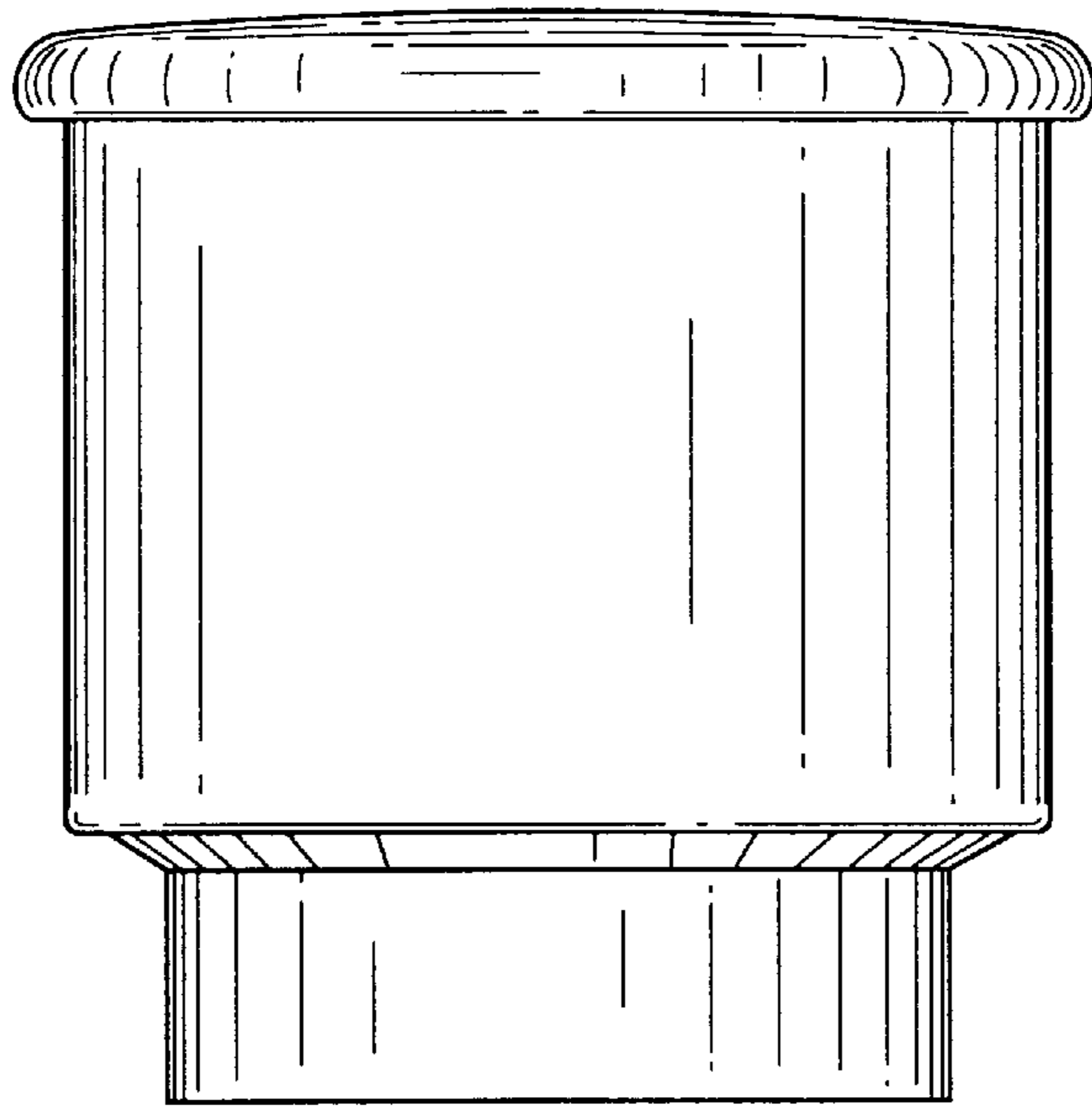


FIG. 3

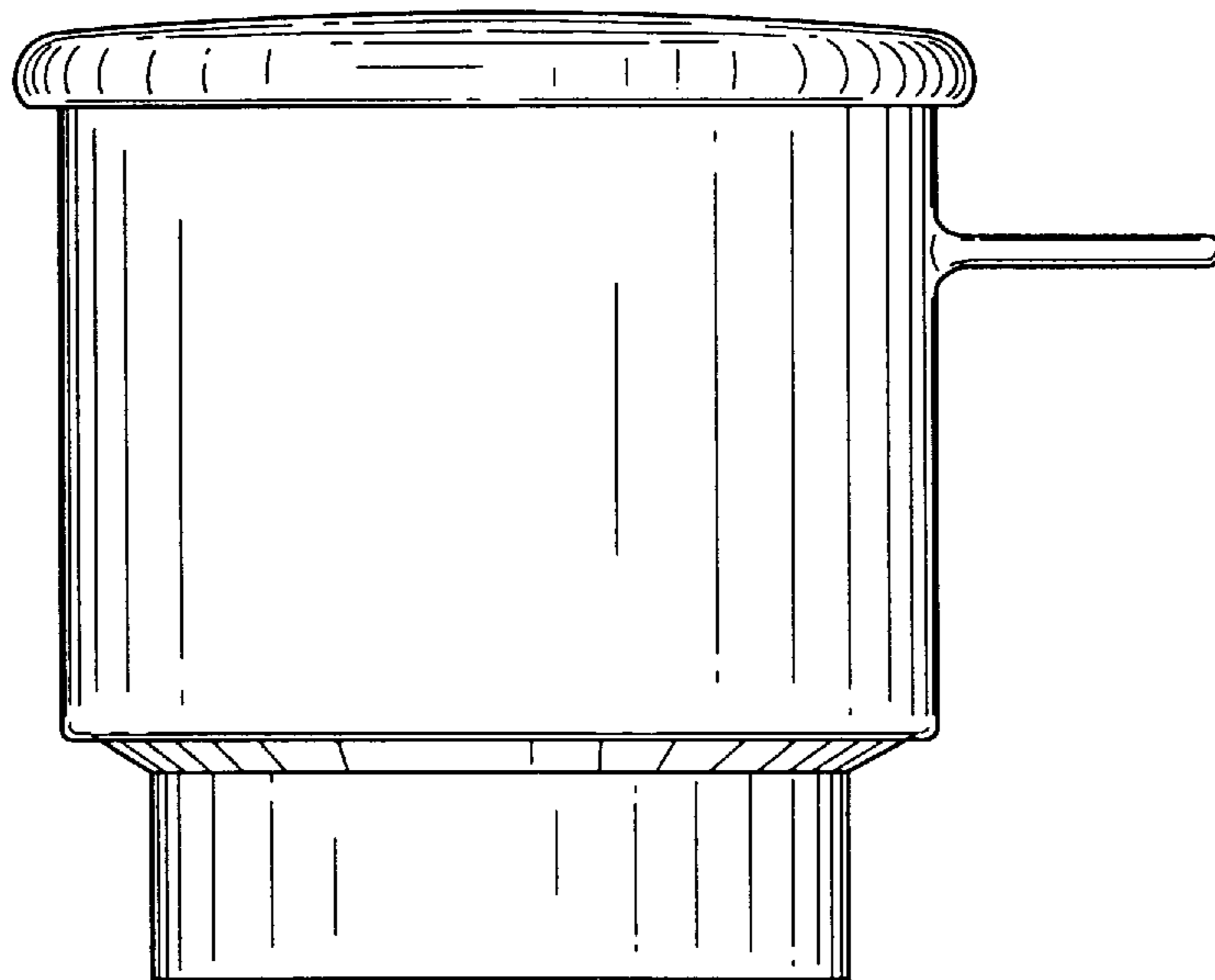


FIG. 4

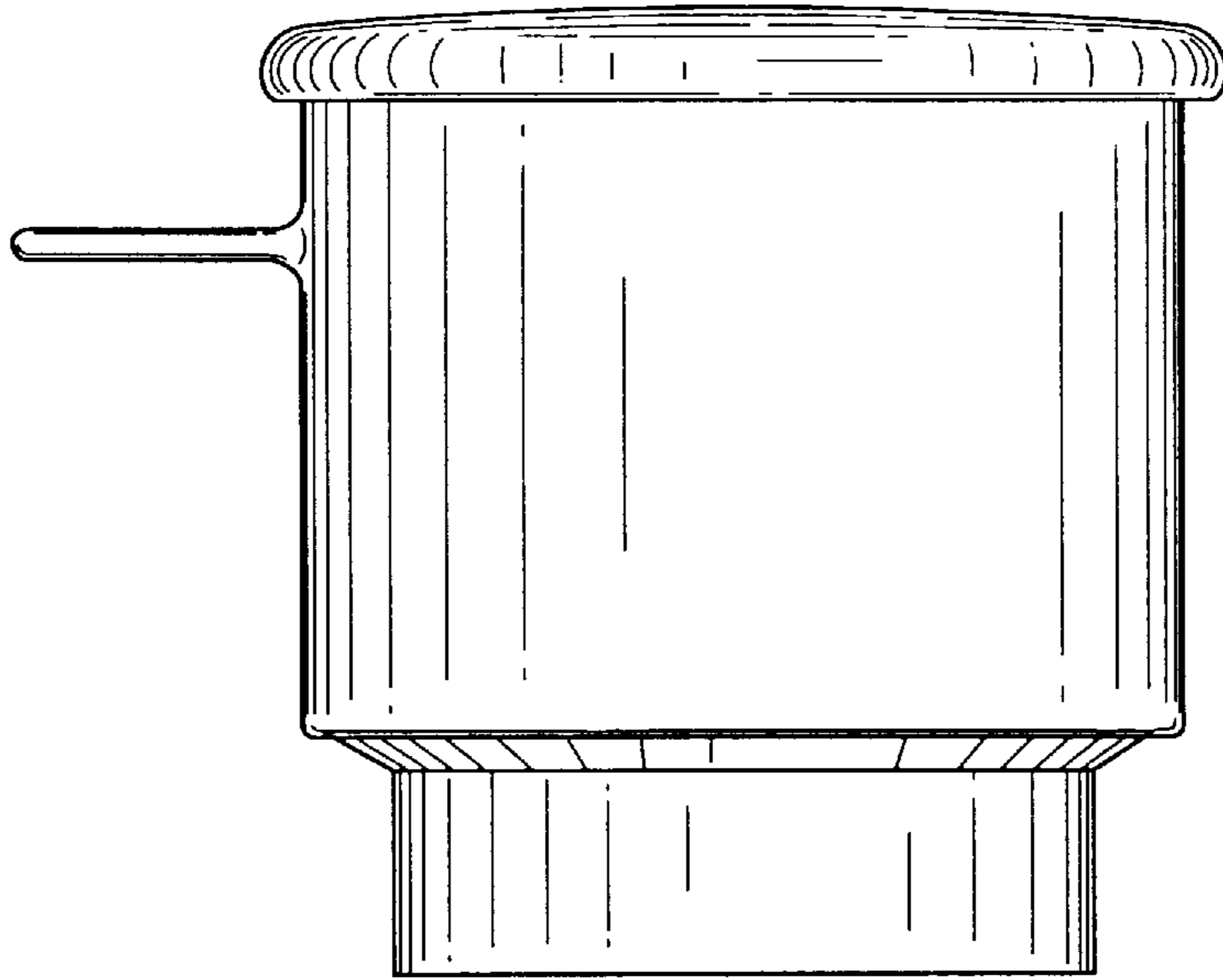


FIG. 5

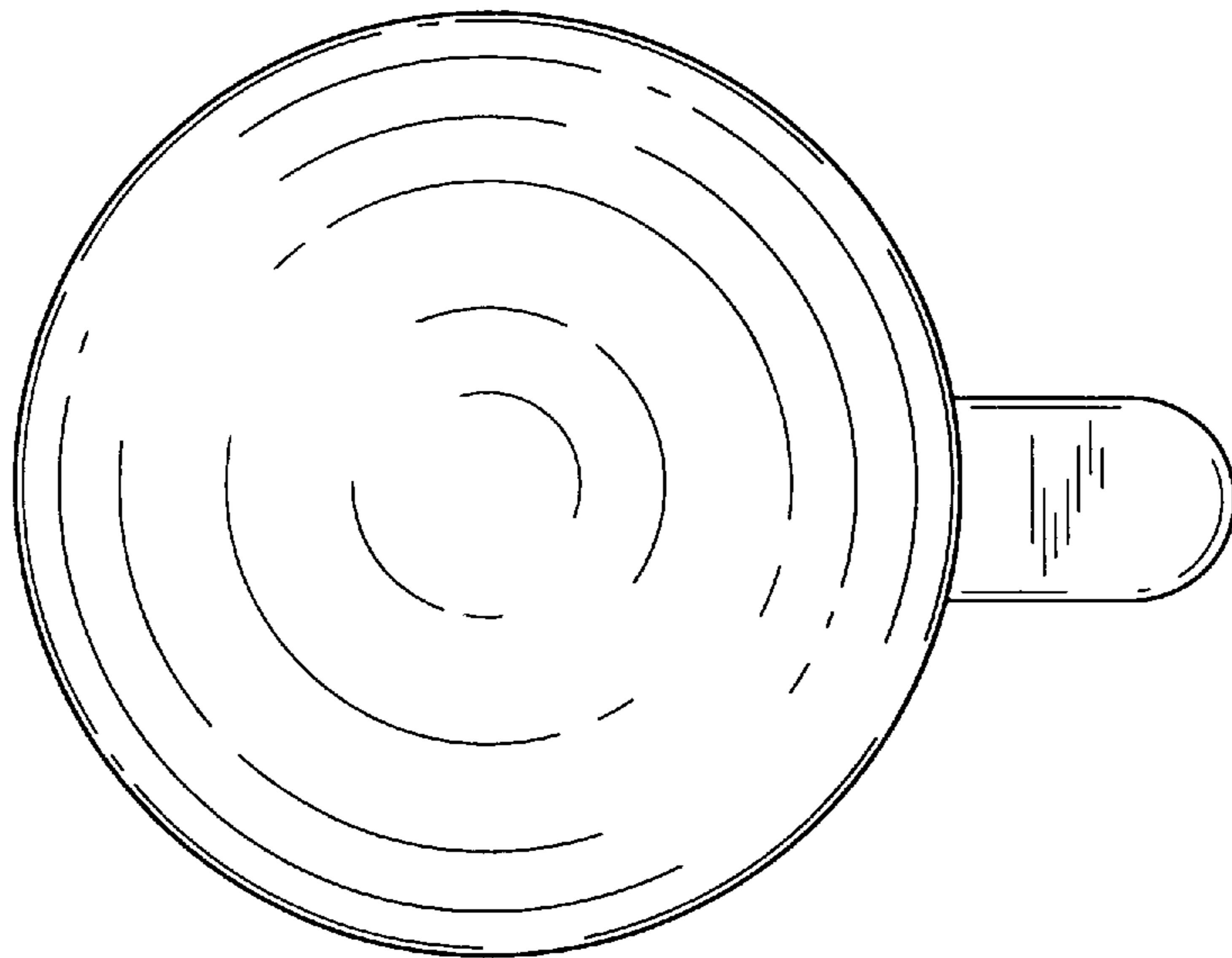


FIG. 6

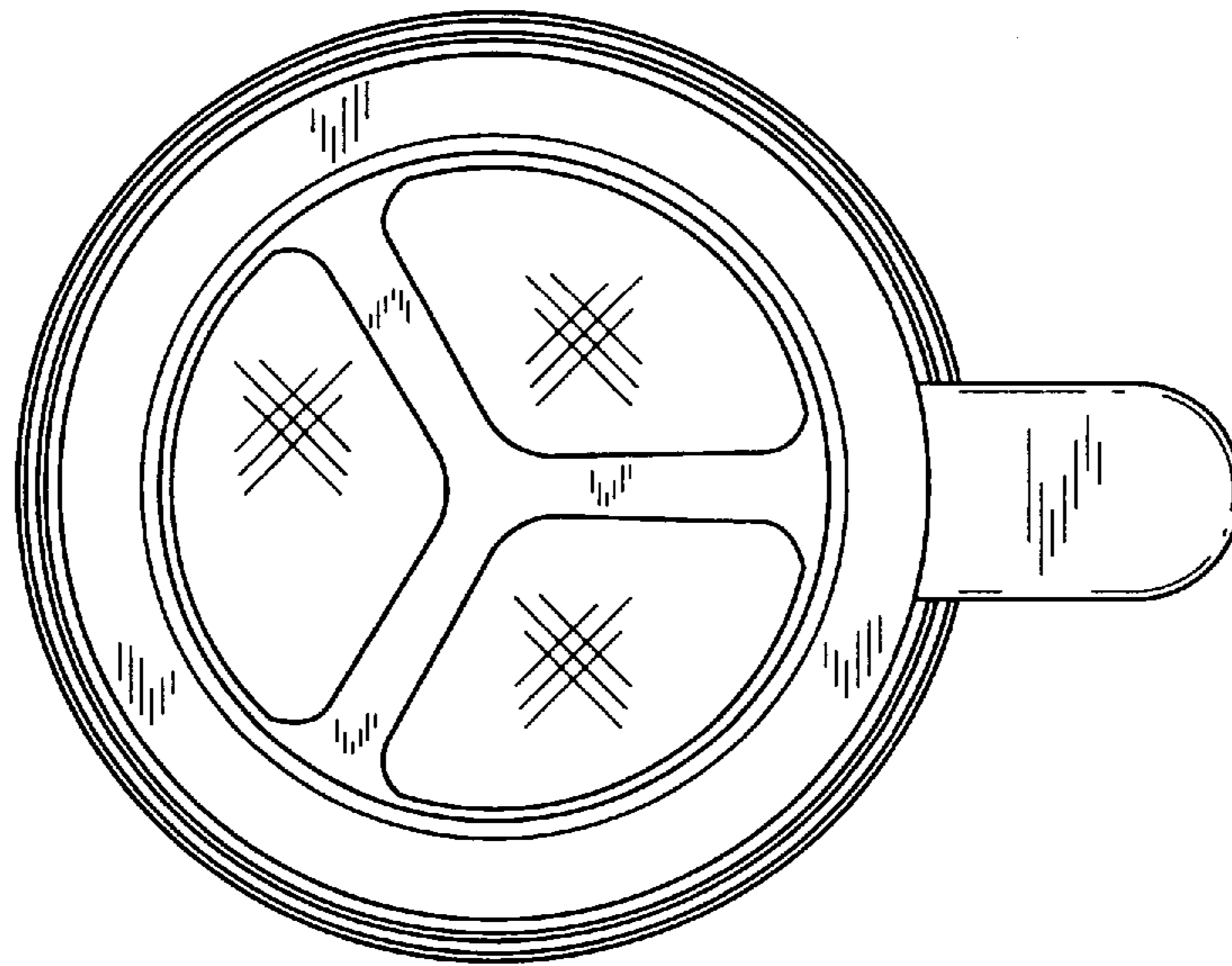


FIG. 7