



US00D406722S

# United States Patent [19]

Benton et al.

[11] **Patent Number: Des. 406,722**

[45] **Date of Patent: \*\*Mar. 16, 1999**

[54] **CAMP STOVE**

[75] Inventors: **Thomas M. Benton; Robert J. Gross; Tab Hinton**, all of Wichita; **Randy May**, Andover; **Michael A. Strader**, Wichita, all of Kans.; **Steve Guerrero**, Milford, Mass.; **Jack Gundlach**, Acton, Mass.; **Derek Verhoorn**, Quincy, Mass.

[73] Assignee: **The Coleman Company**, Wichita, Kans.

[\*\*] Term: **14 Years**

[21] Appl. No.: **77,303**

[22] Filed: **Oct. 2, 1997**

[51] **LOC (6) Cl. .... 07-02**

[52] **U.S. Cl. .... D7/362; D7/337**

[58] **Field of Search .... D7/362-367, 352, D7/332, 337, 346, 402; 99/425, 442, 444-446, 450; 219/429, 432, 443, 458; 126/25 R, 41 R**

[56] **References Cited**

**U.S. PATENT DOCUMENTS**

D. 278,505 4/1985 Mackin ..... D7/337

- D. 326,030 5/1992 Silver ..... D7/362
- D. 351,083 10/1994 O'Brien et al. .... D7/363
- D. 375,868 11/1996 Larson ..... D7/362
- D. 377,134 1/1997 Des Touche ..... D7/362
- D. 380,342 7/1997 Edmonds ..... D7/363

*Primary Examiner*—Ruth McInroy  
*Attorney, Agent, or Firm*—Fitzpatrick, Cella, Harper & Scinto

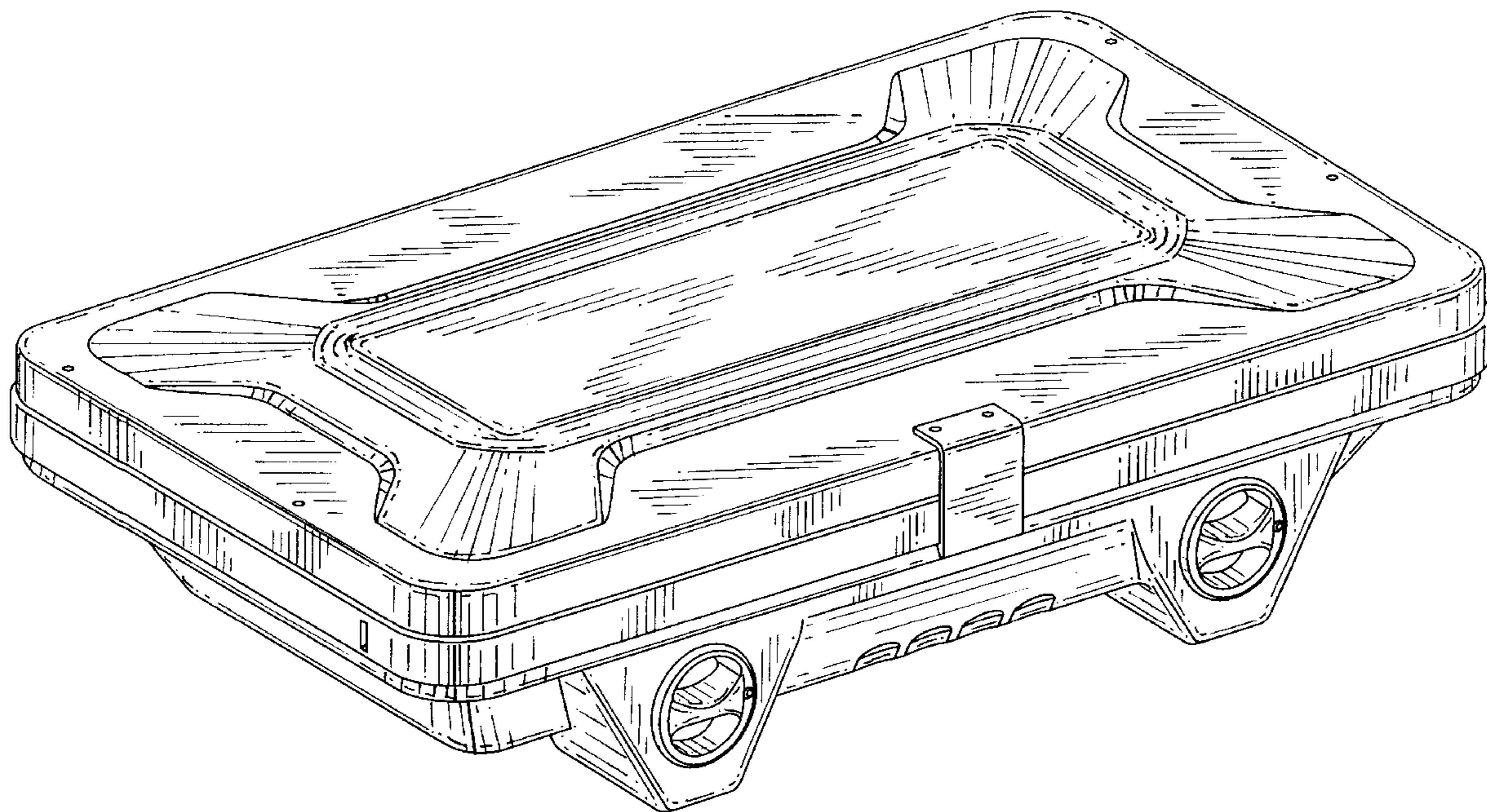
[57] **CLAIM**

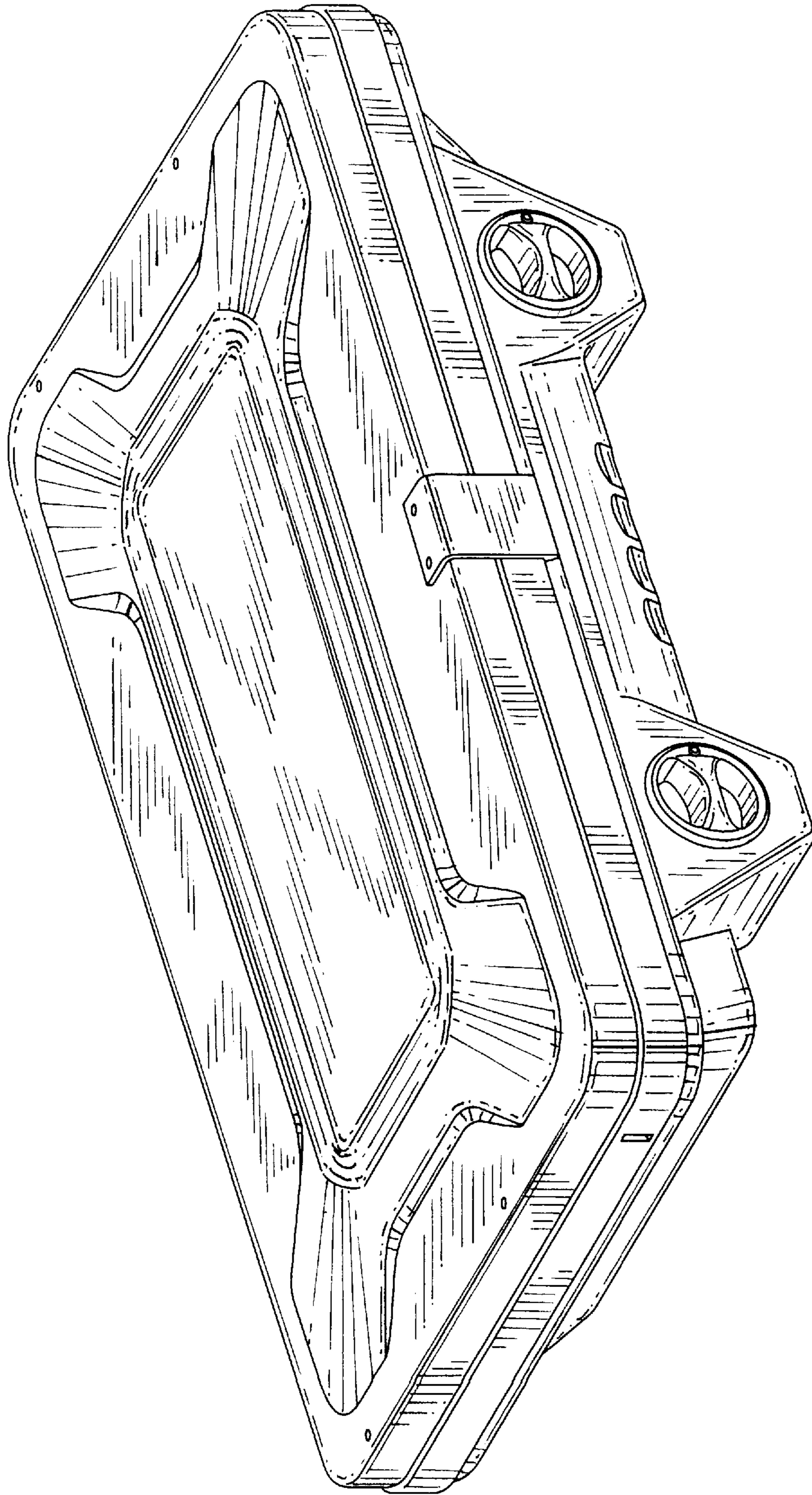
The ornamental design for a camp stove, as shown.

**DESCRIPTION**

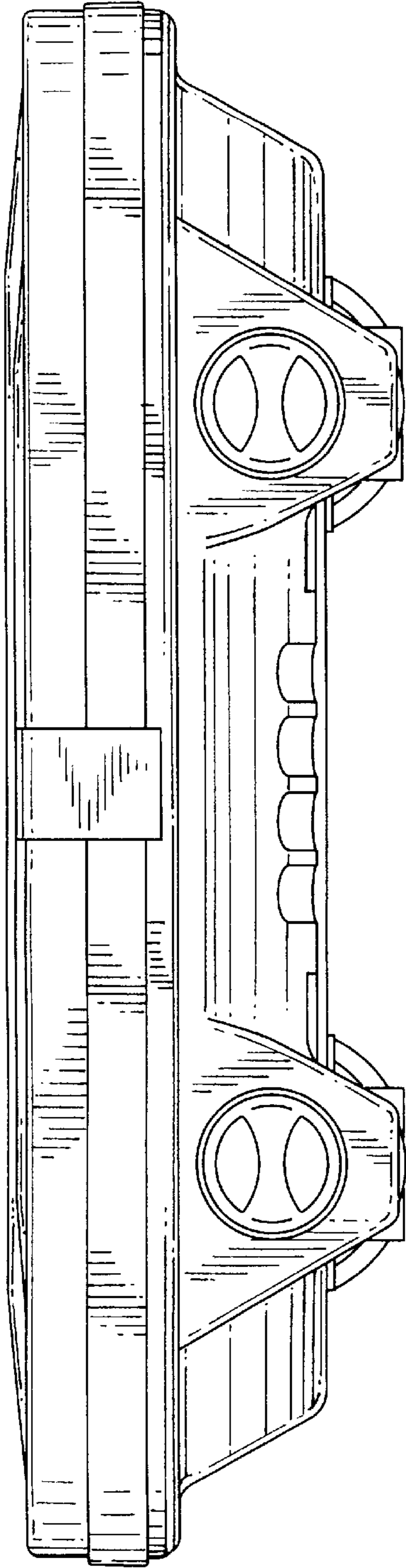
FIG. 1 is a perspective view of a camp stove showing our new design;  
 FIG. 2 is a front elevational view thereof;  
 FIG. 3 is a left side elevational view thereof;  
 FIG. 4 is a right side elevational view thereof;  
 FIG. 5 is a rear elevational view thereof;  
 FIG. 6 is a top plan view thereof; and,  
 FIG. 7 is a bottom plan view thereof.

**1 Claim, 5 Drawing Sheets**

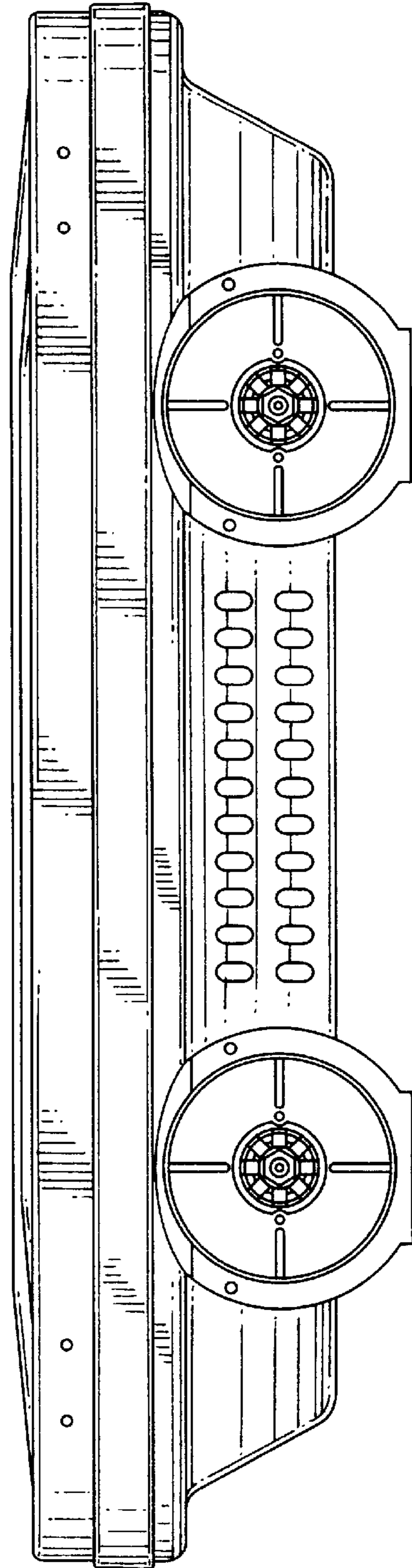




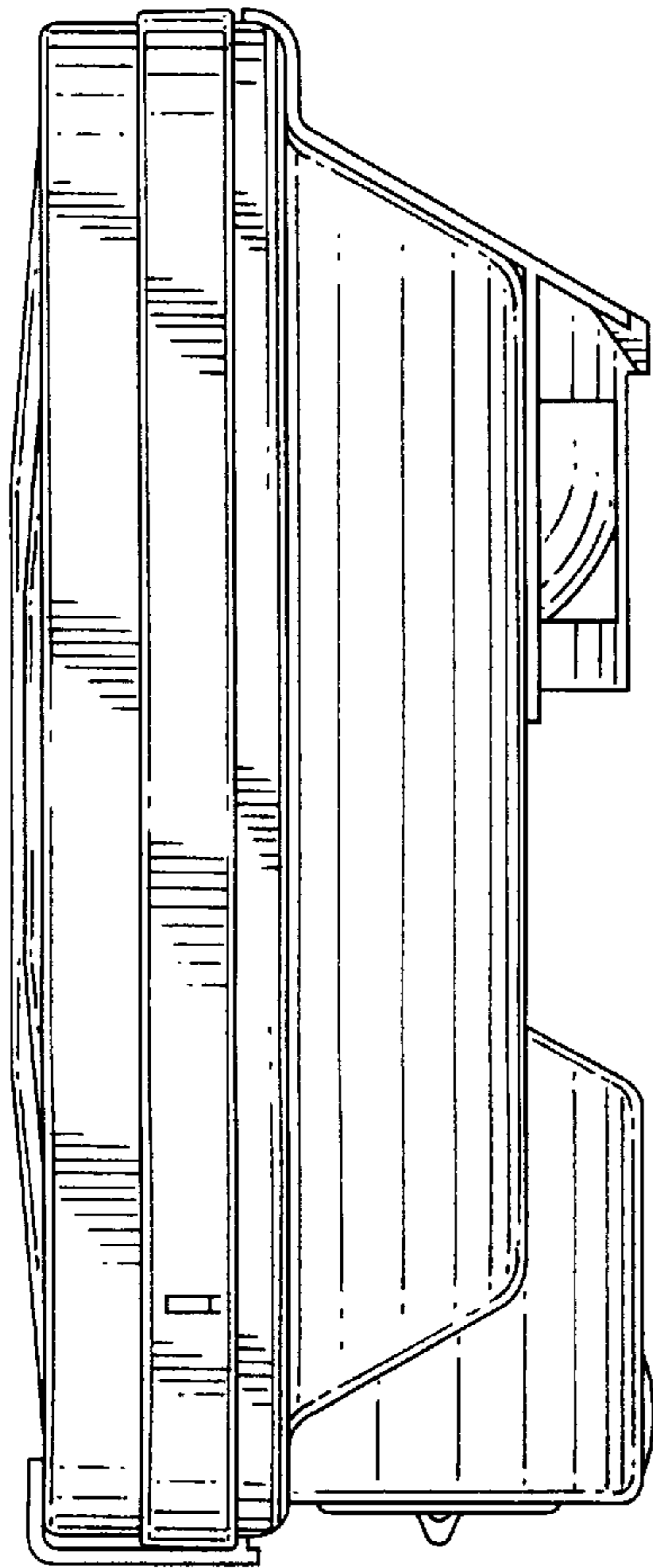
**FIG. 1**



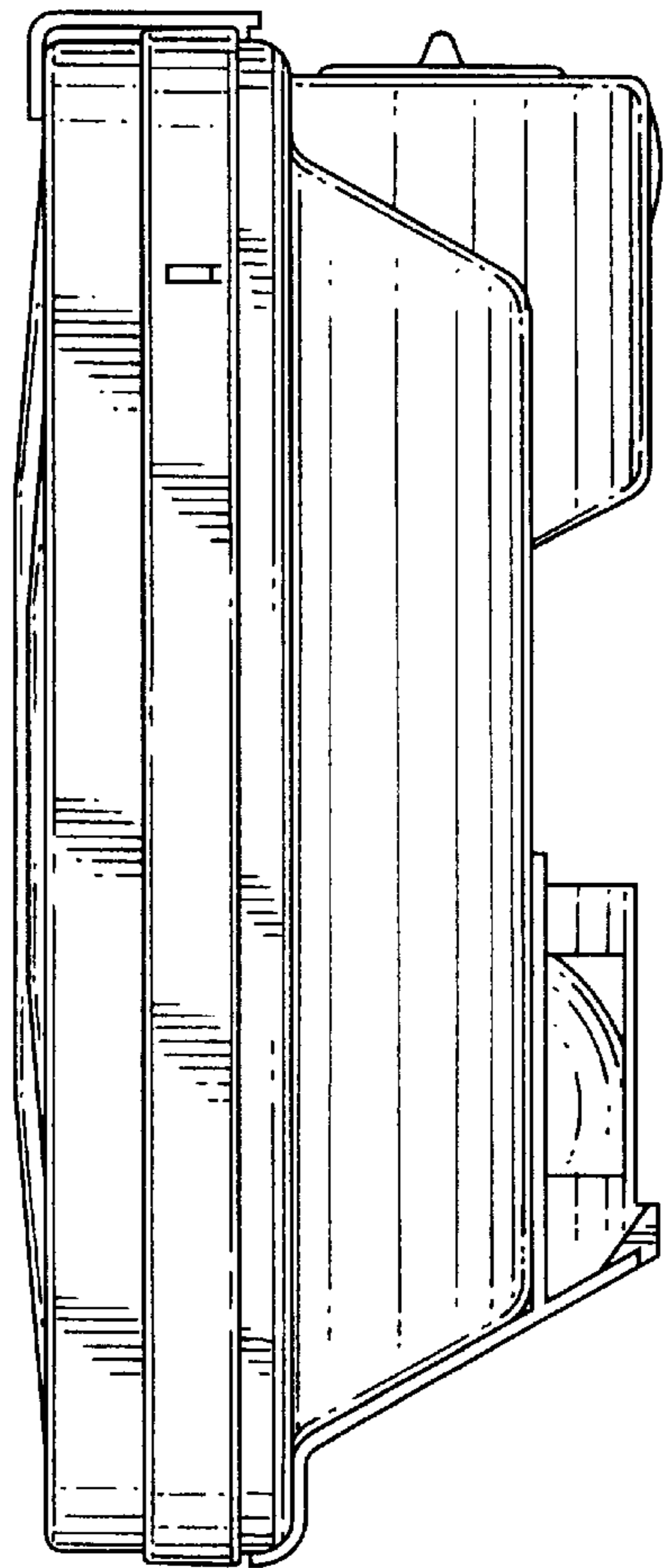
**FIG. 2**



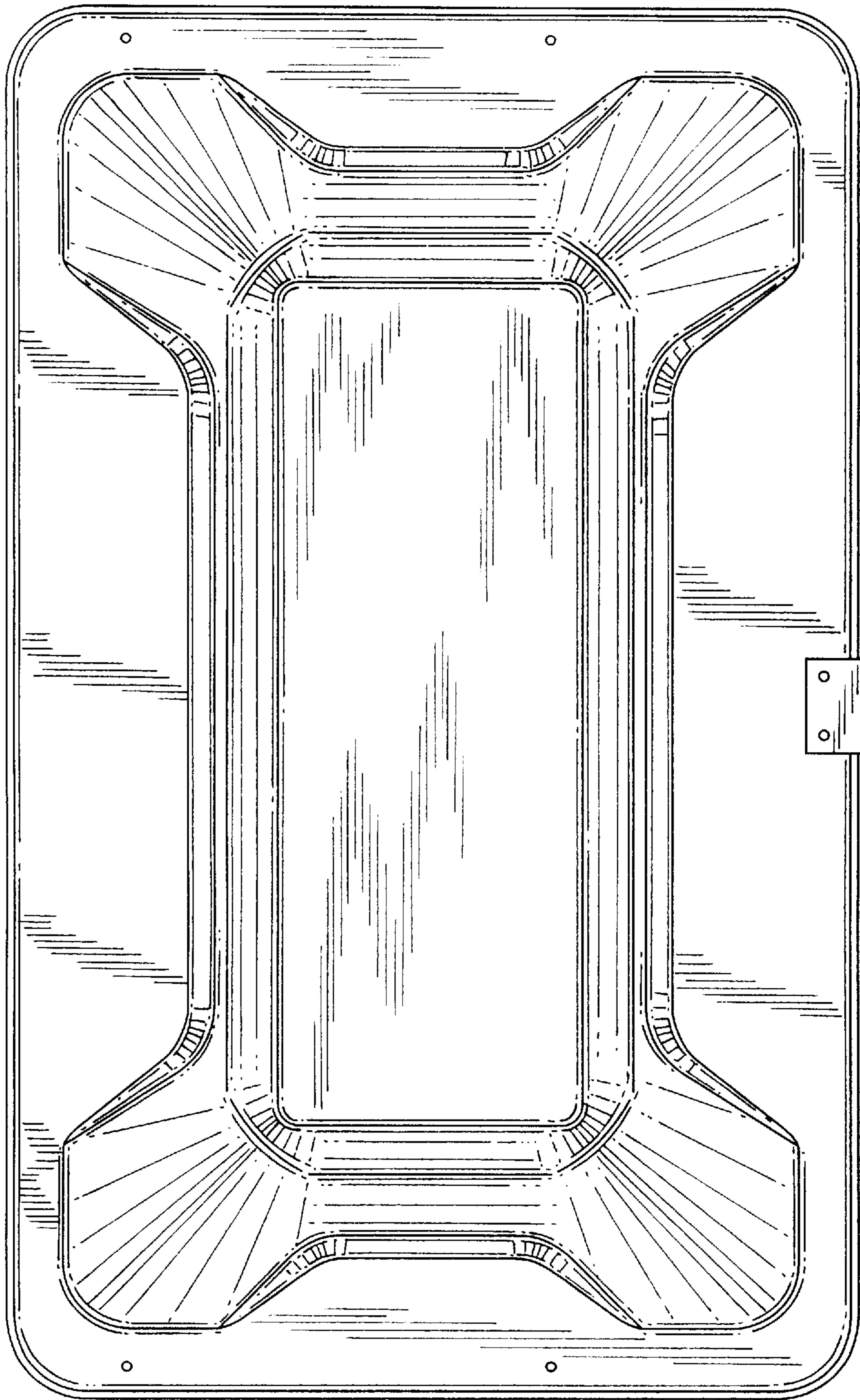
**FIG. 5**



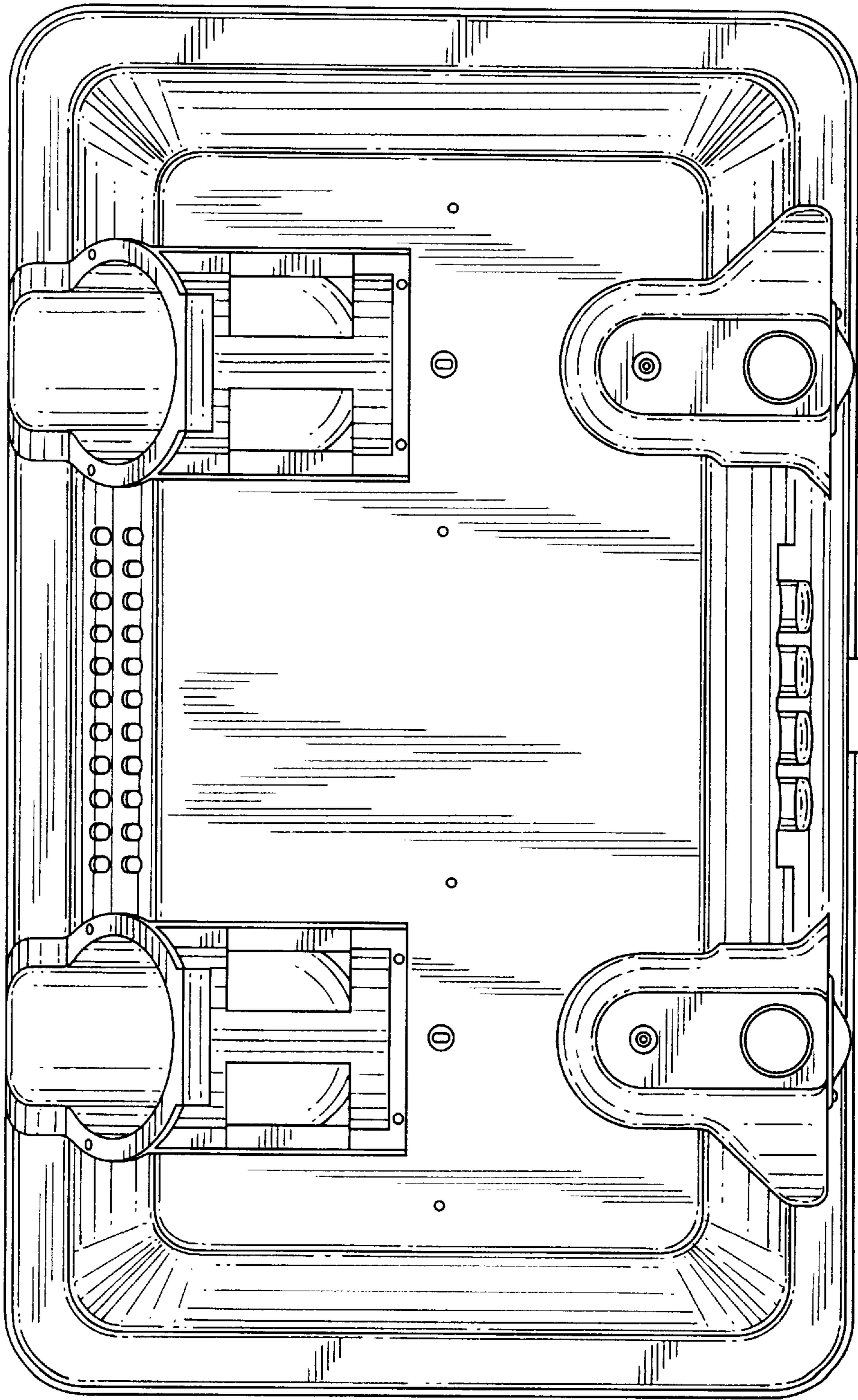
**FIG. 3**



**FIG. 4**



**FIG. 6**



**FIG. 7**