

US00D406716S

United States Patent [19] Growden

[11] **Patent Number: Des. 406,716**

[45] **Date of Patent: **Mar. 16, 1999**

[54] **VALANCE**

[75] **Inventor: Frederick Growden, Oshawa, Canada**

[73] **Assignee: Remington Window Fashions Ltd.,
Oshawa, Canada**

[**] **Term: 14 Years**

[21] **Appl. No.: 72,710**

[22] **Filed: Jun. 23, 1997**

[30] Foreign Application Priority Data

Jan. 20, 1997 [CA] Canada 1997-0102

[51] **LOC (6) Cl. 06-10**

[52] **U.S. Cl. D6/579**

[58] **Field of Search D6/579, 575, 577,
D6/580; D8/377, 376; 160/19, 38, 39; 248/265;
362/151**

[56] References Cited

U.S. PATENT DOCUMENTS

- D. 162,325 3/1951 Lorentzen .
- D. 165,515 12/1951 Eckert .
- D. 318,592 7/1991 Byrne .
- D. 334,683 4/1993 Byrne D6/579
- D. 379,729 6/1997 Ohanesian D6/579
- 2,564,865 8/1951 Turner .

- 2,708,711 5/1955 McGinty et al. 160/19 X
- 5,042,548 8/1991 Attal 160/38

FOREIGN PATENT DOCUMENTS

- D. 61159 6/1988 Canada .
- D. 65540 2/1990 Canada .
- D. 66629 8/1990 Canada .
- D. 72073 12/1992 Canada .

Primary Examiner—Freda Nunn
Attorney, Agent, or Firm—Bereskin & Parr

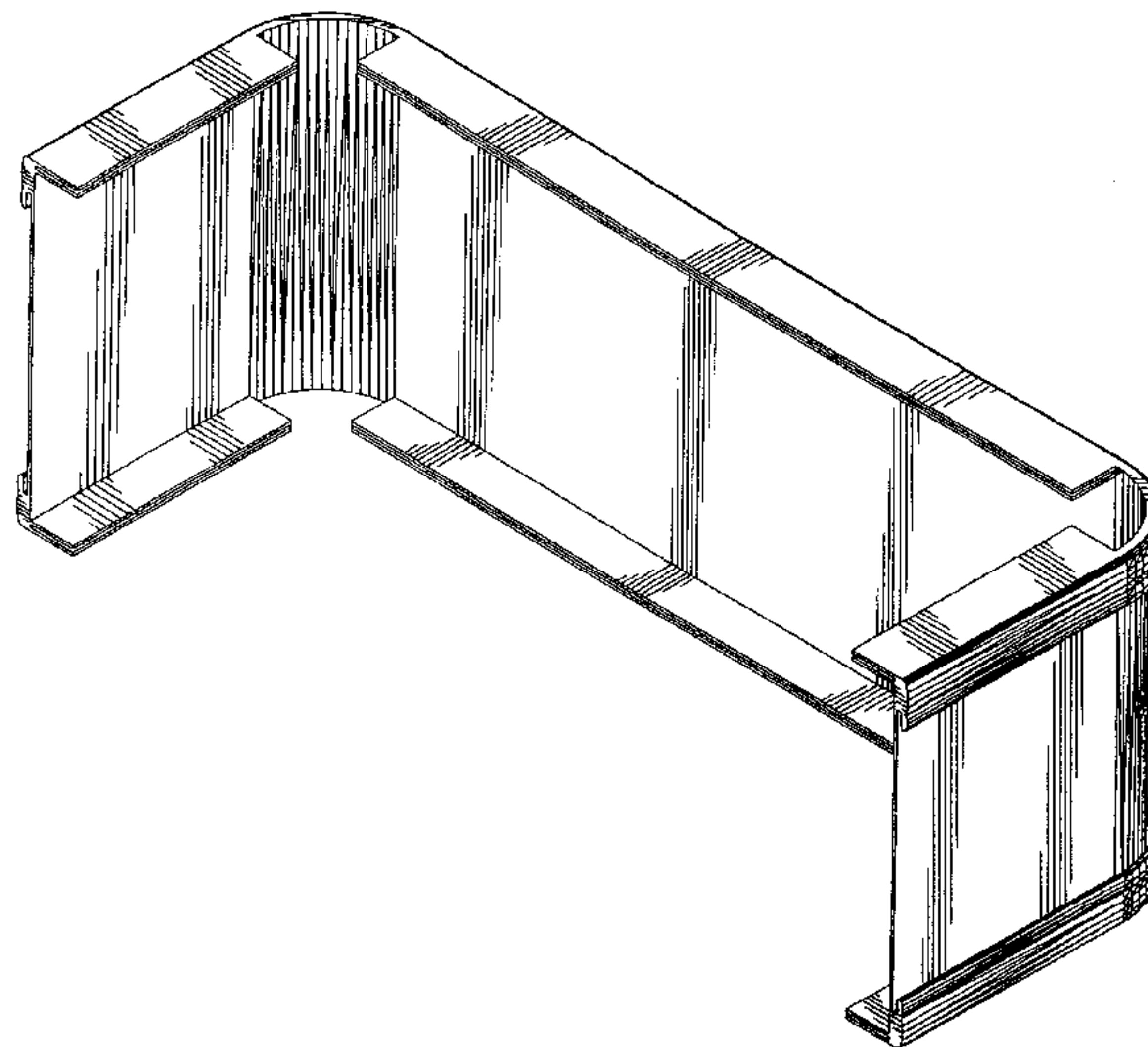
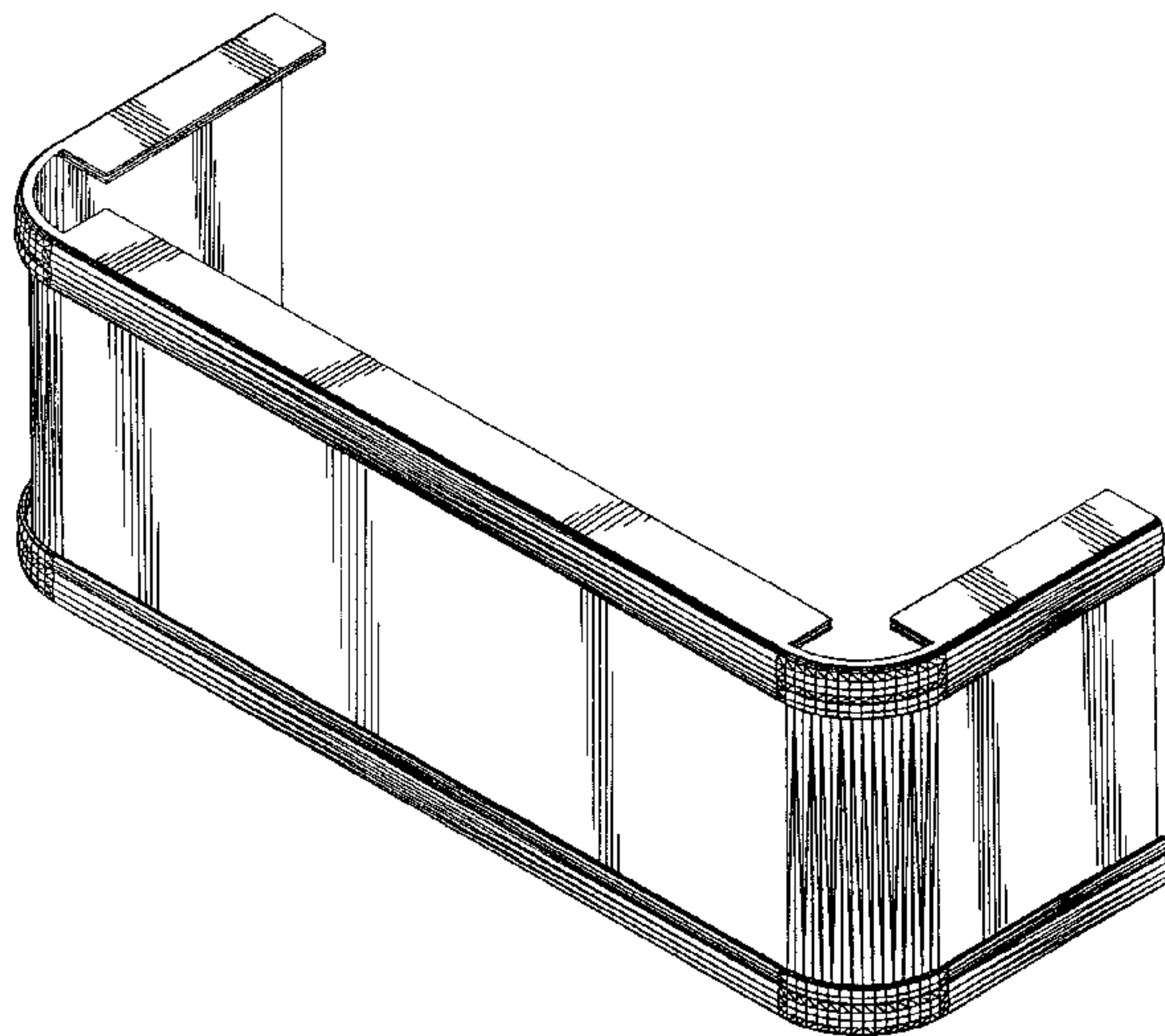
[57] CLAIM

The ornamental design for a valance, as shown and described.

DESCRIPTION

FIG. 1 is a front side perspective view of a valance in accordance with the present invention;
 FIG. 2 is a rear and opposite side perspective view of the valance of FIG. 1;
 FIG. 3 is a front view of the valance of FIG. 1;
 FIG. 4 is a left side view of the valance of FIG. 1;
 FIG. 5 is a top view of the valance of FIG. 1, the bottom view being identical; and,
 FIG. 6 is an enlarged view of the end face of the left side of the valance of FIG. 2.

1 Claim, 4 Drawing Sheets



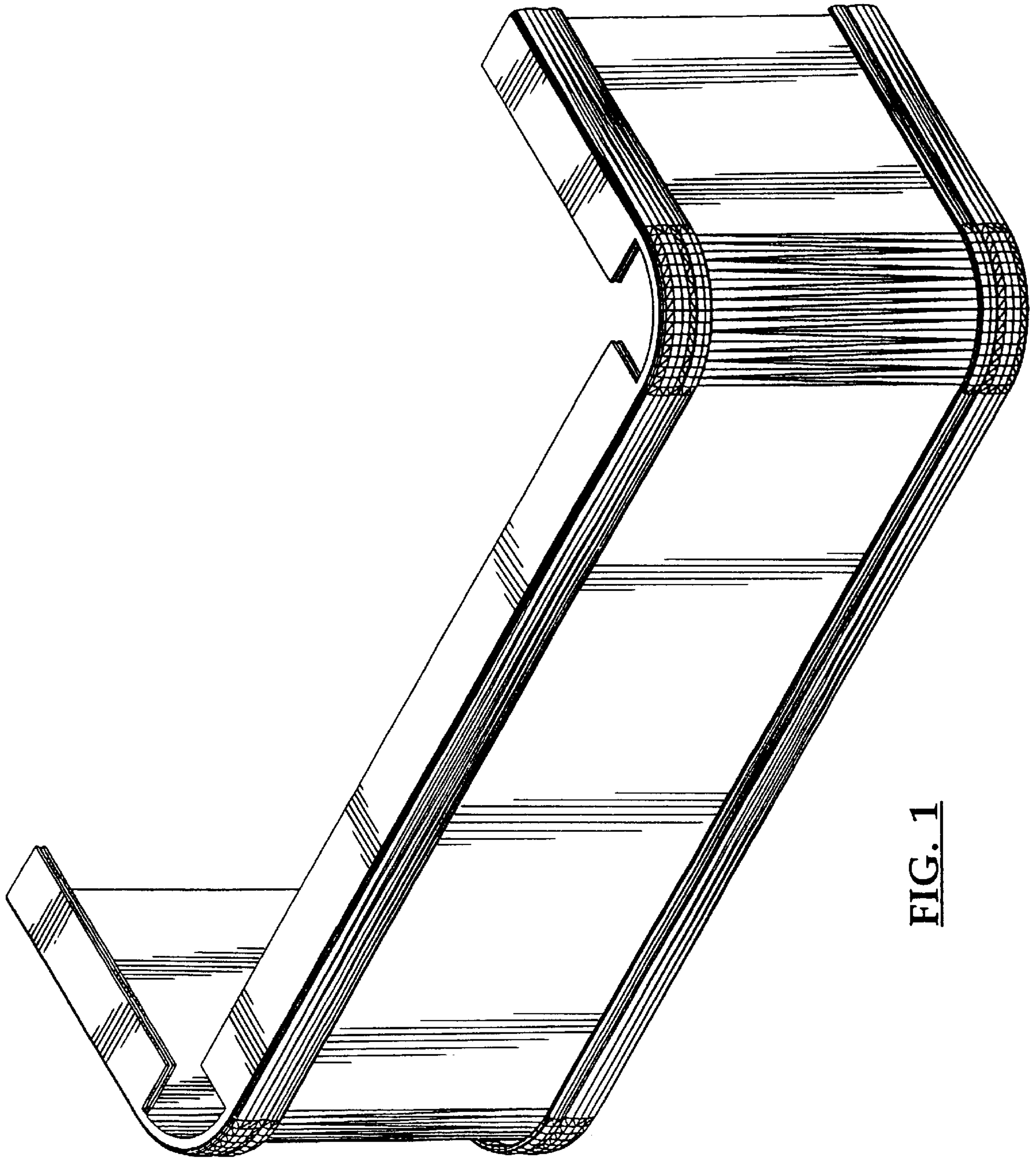


FIG. 1

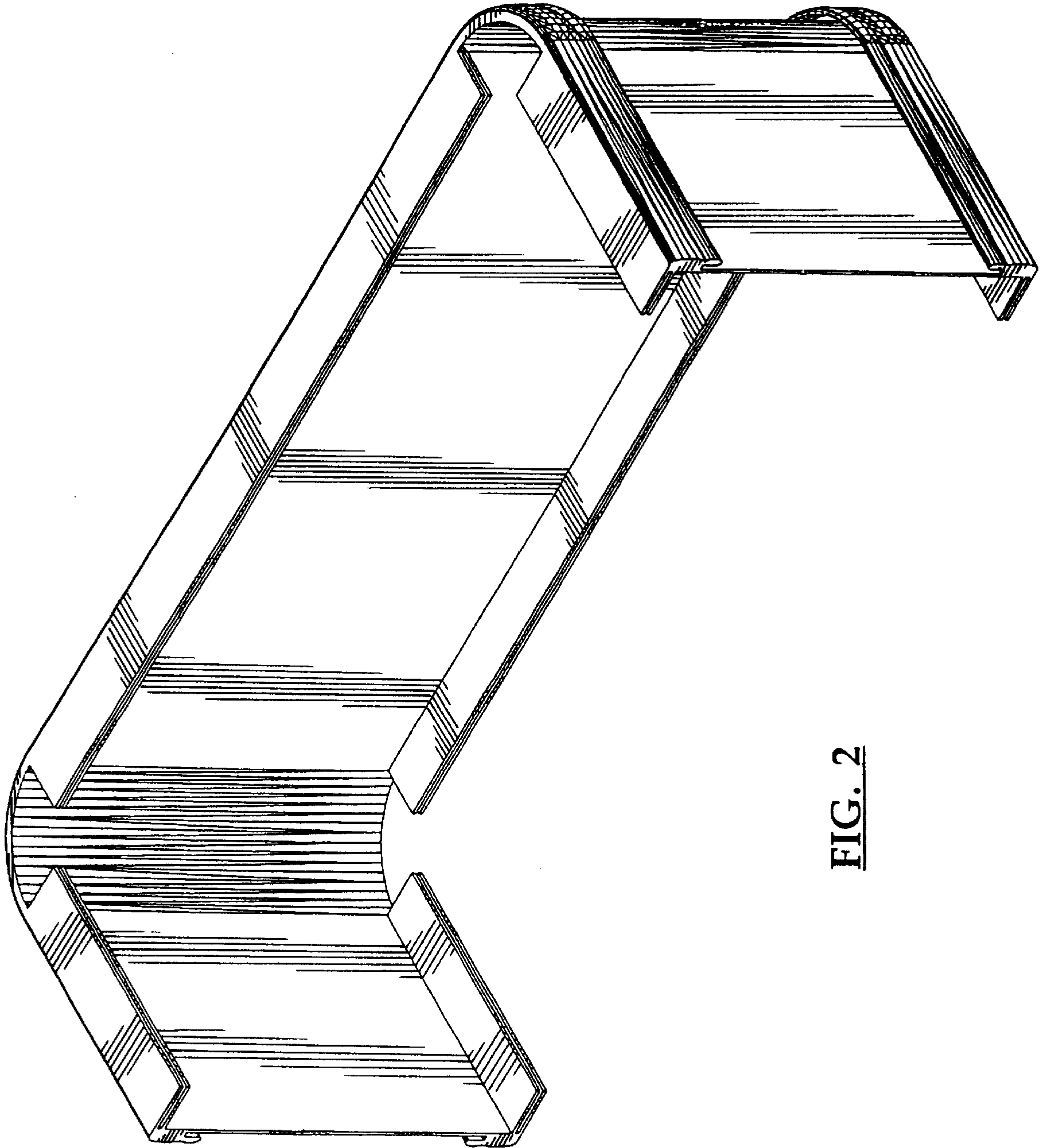


FIG. 2

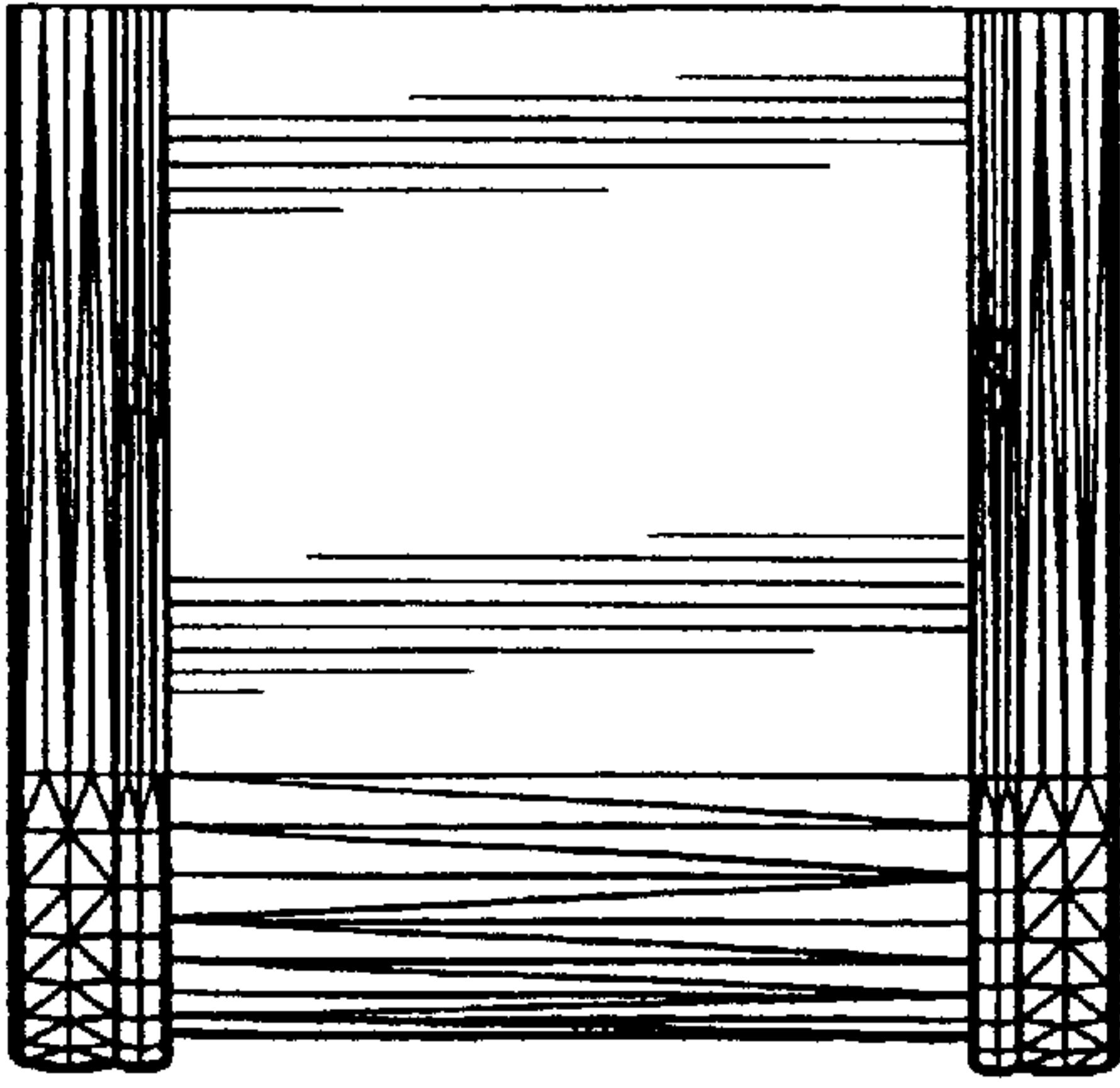


FIG. 4

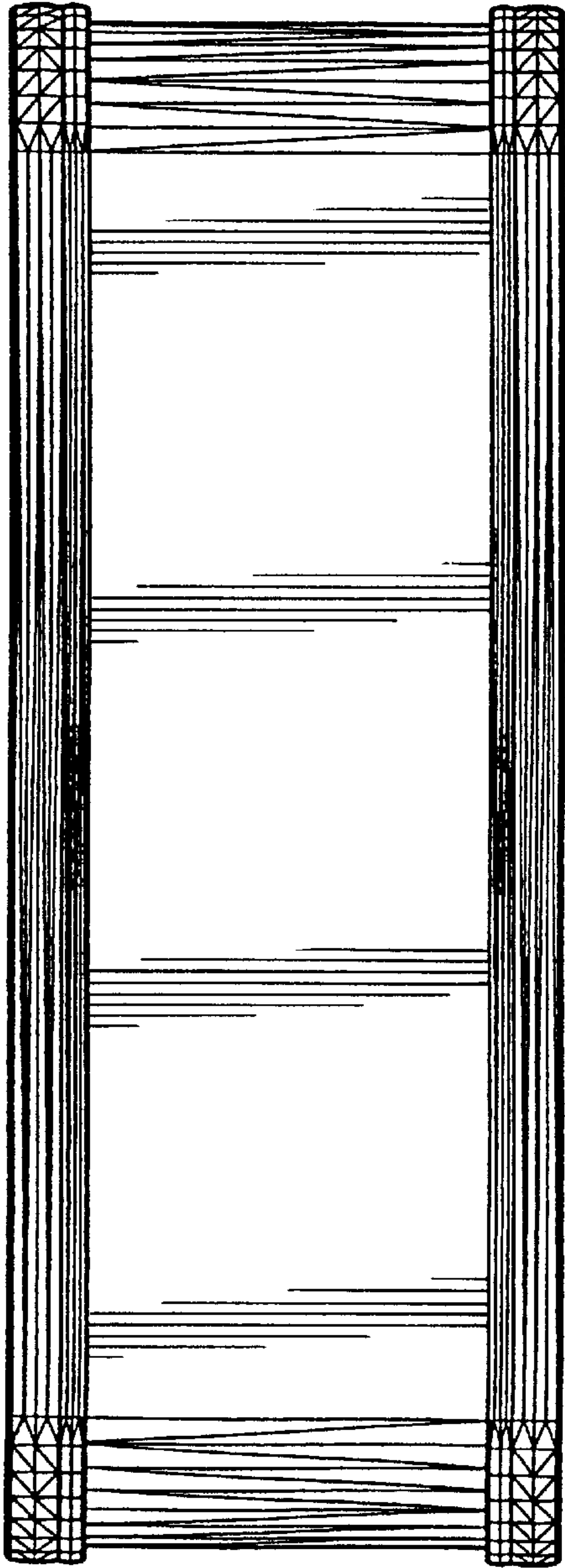


FIG. 3

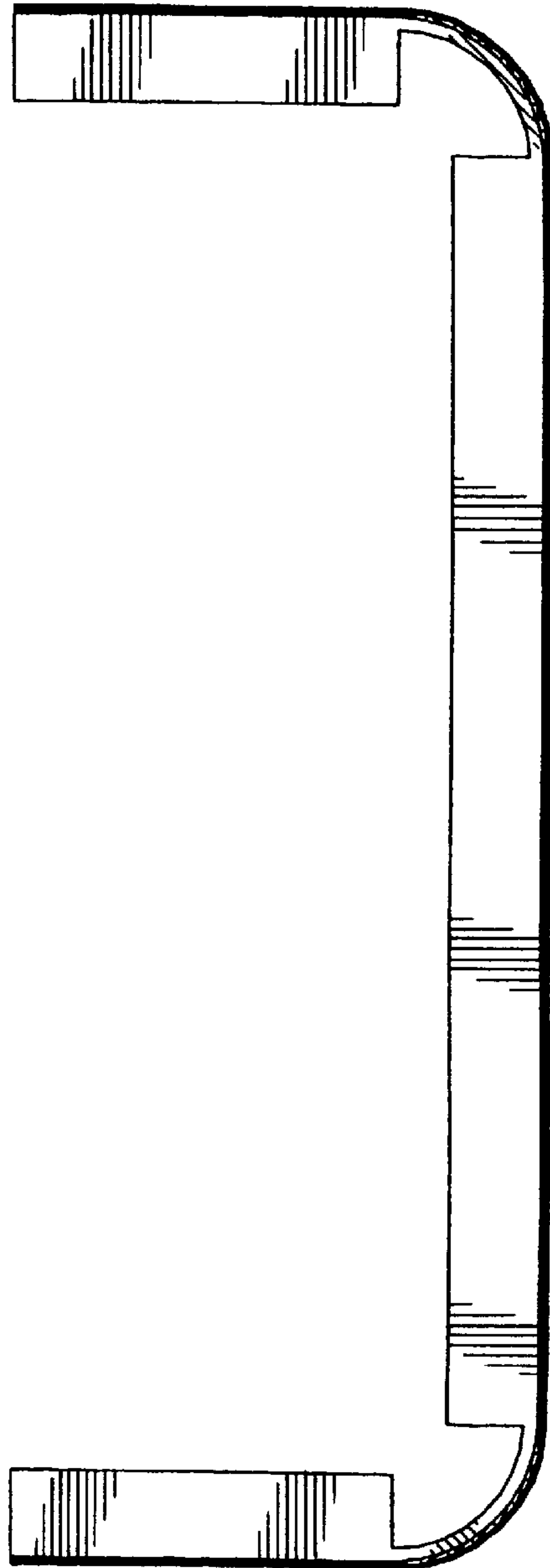


FIG. 5

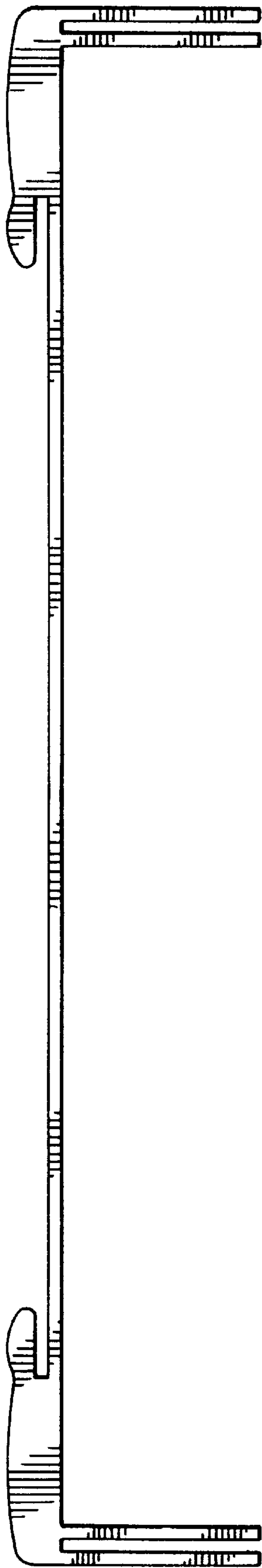


FIG. 6