



US00D406715S

# United States Patent [19]

**Badillo**

[11] **Patent Number: Des. 406,715**

[45] **Date of Patent: \*\*Mar. 16, 1999**

[54] **HOLDER FOR A PLAY BALL SOAP CONTAINER AND ATTACHED CHILDREN'S WASH CLOTH**

[76] Inventor: **Connie M. Badillo**, 2518 N. Shady Forest, Orange, Calif. 92867

[\*\*] Term: **14 Years**

[21] Appl. No.: **81,353**

[22] Filed: **Dec. 3, 1997**

[51] **LOC (6) Cl. .... 08-08**

[52] **U.S. Cl. .... D6/567; D6/524**

[58] **Field of Search** ..... D6/553, 567, 574, D6/524; 248/200, 176.1, 174, 309.1, 309.2, 311.2, 311.3, 312, 312.1, 314; 211/13.1, 14, 70.6, 71, 72, 86-90; 206/233, 315.1, 557, 823

[56] **References Cited**

**U.S. PATENT DOCUMENTS**

D. 171,567	2/1954	Zarzana et al. ....	D6/553 X
D. 191,715	11/1961	Lugowski .....	D6/553 X
D. 201,984	8/1965	Hervey .....	D6/553 X
D. 277,149	1/1985	Hind .....	D6/545
D. 314,486	2/1991	Day .....	D6/574 X
3,217,891	11/1965	Weaver .....	D6/553 X

*Primary Examiner*—Brian N. Vinson  
*Attorney, Agent, or Firm*—Willie Krawitz

[57] **CLAIM**

The ornamental design for an holder for a play ball soap container and attached children's wash cloth, as shown and described.

**DESCRIPTION**

FIG. 1 is a top, front, and right side perspective view of a holder for a play ball soap container and attached children's washcloth showing my new design, the broken-line disclosure being for illustrative purposes only and forming no part of the claimed design;

FIG. 2 is a top, front, and right side perspective view of a second embodiment of a holder for a play ball soap container and attached children's washcloth showing my new design;

FIG. 3 is a top plan view of the first embodiment thereof;

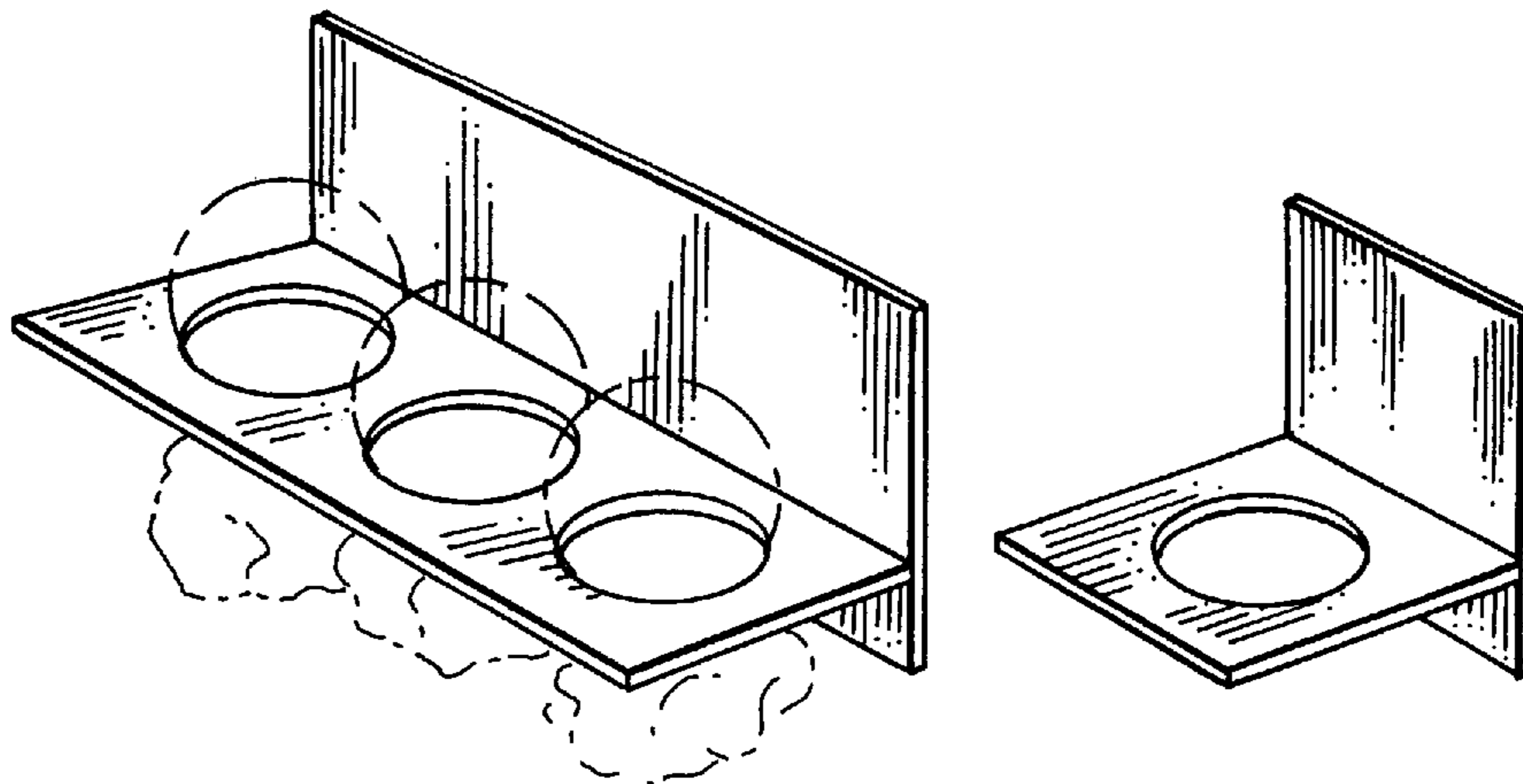
FIG. 4 is a front elevational view of the first embodiment thereof;

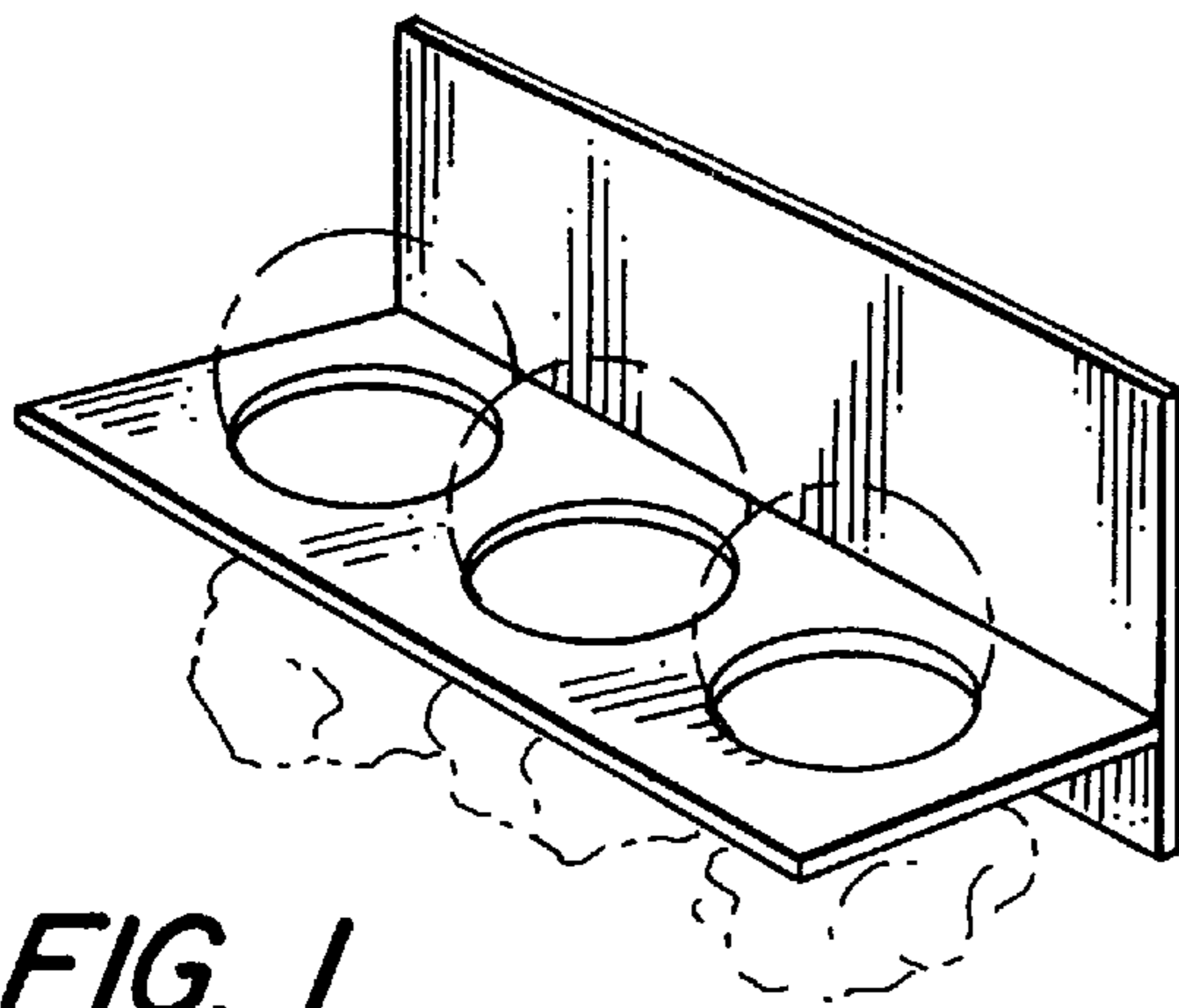
FIG. 5 is a right side elevational view of the first embodiment thereof;

FIG. 6 is a bottom plan view of the first embodiment thereof; and,

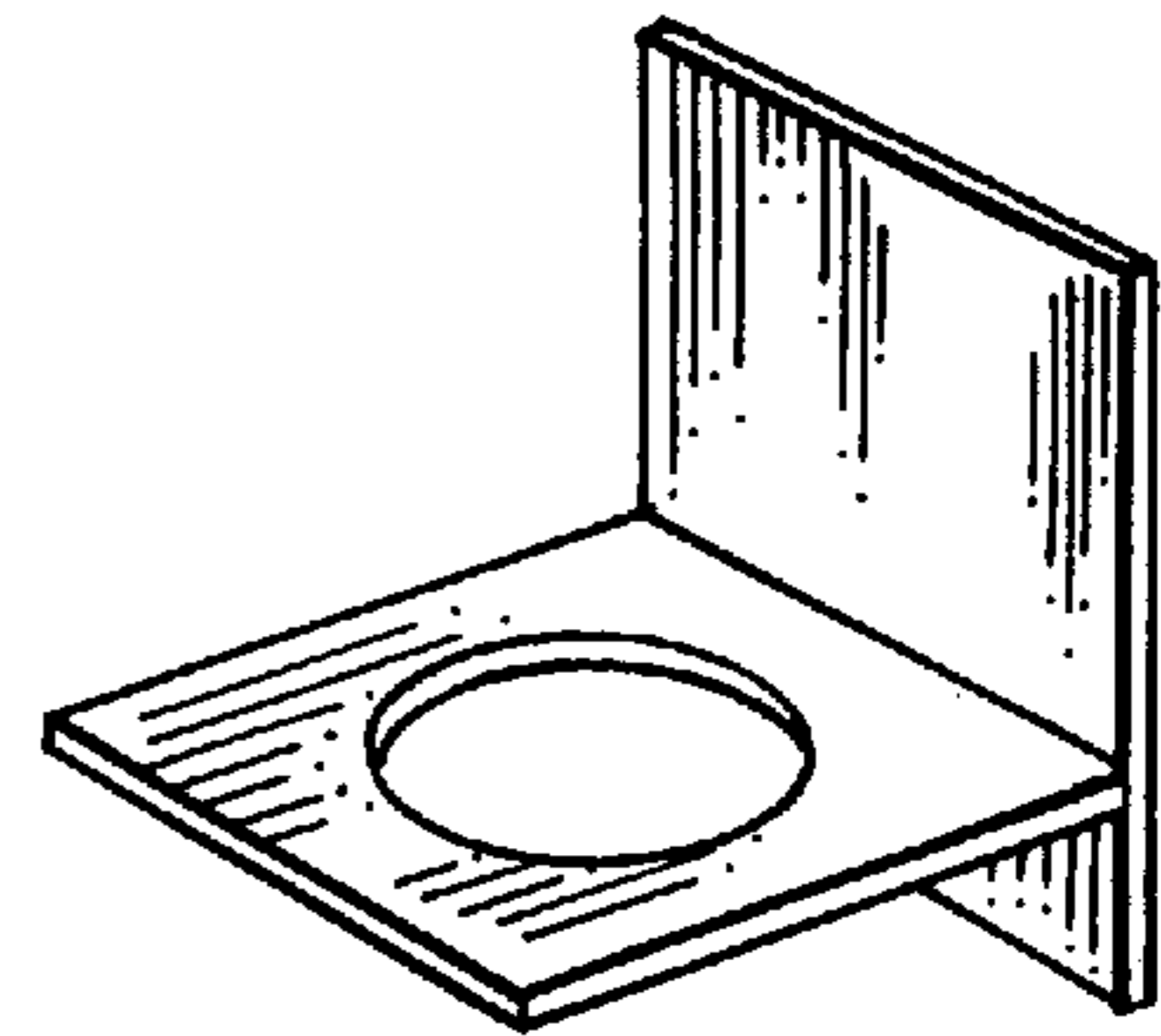
FIG. 7 is rear elevational view of the first embodiment thereof.

**1 Claim, 1 Drawing Sheet**

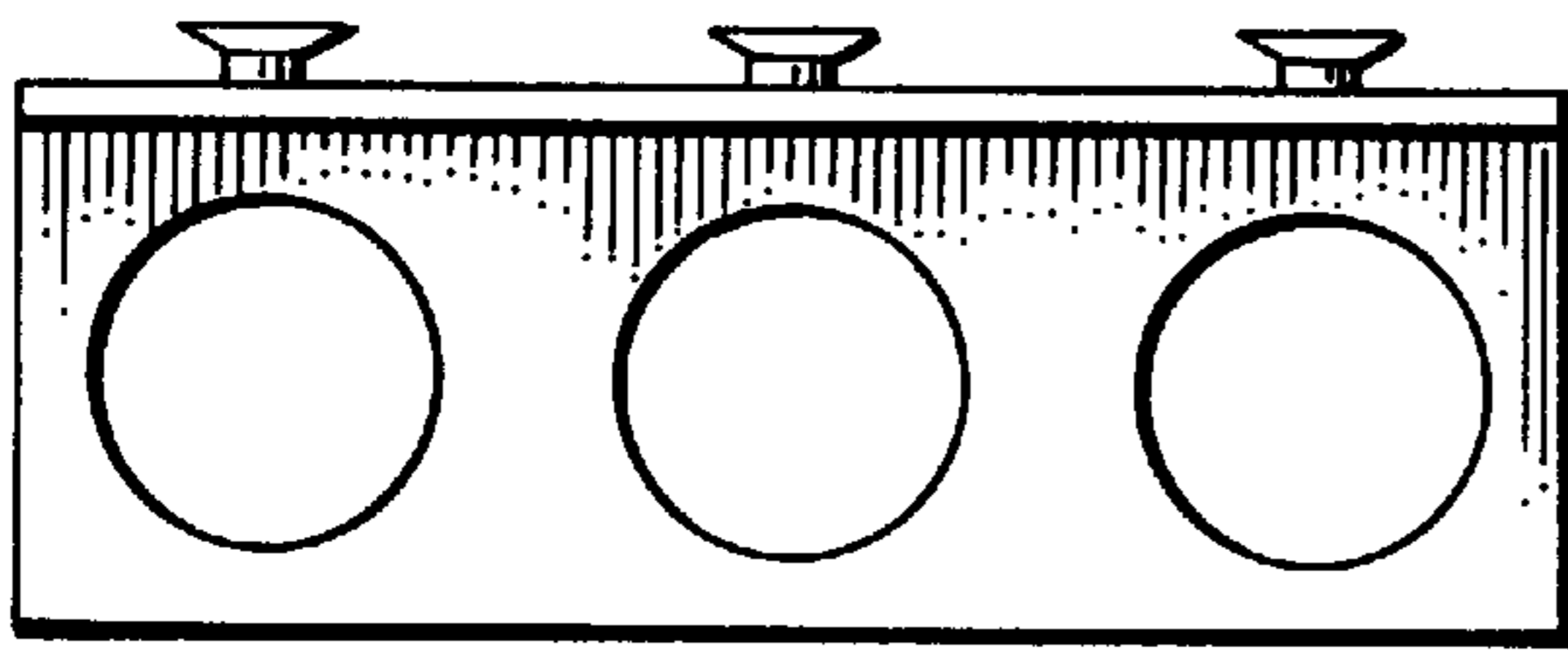




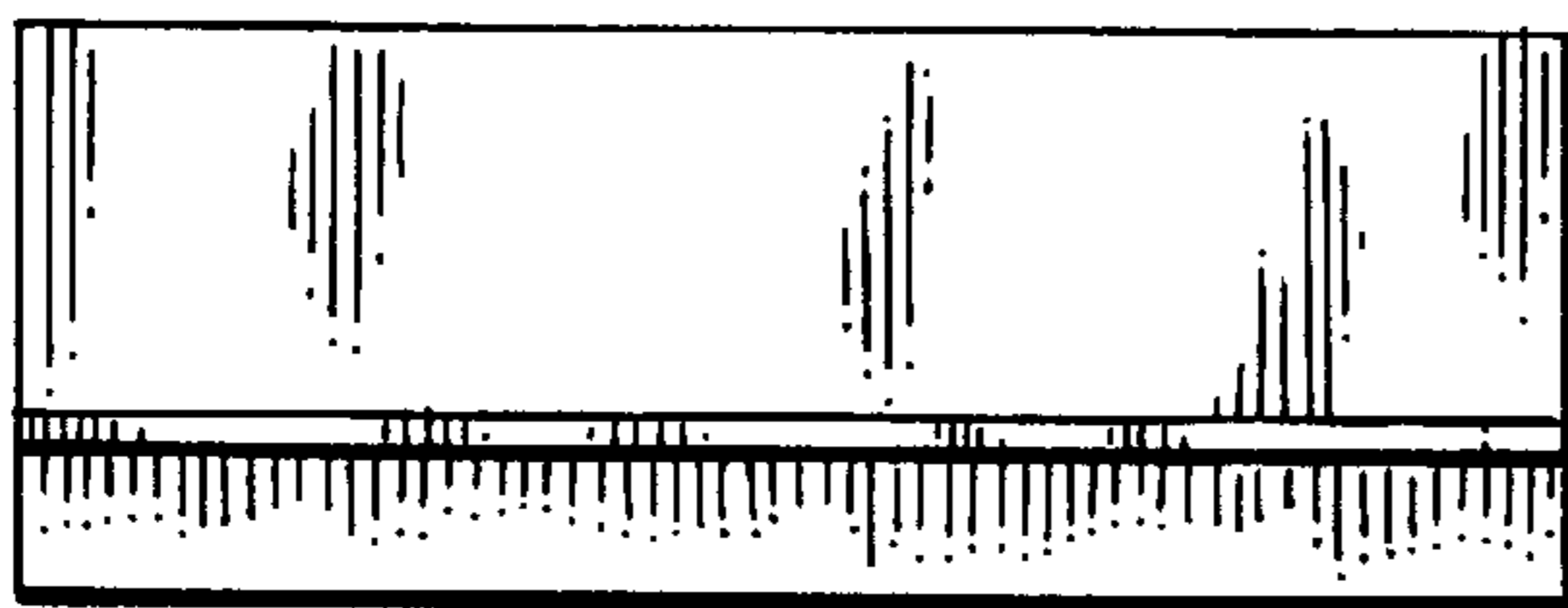
*FIG. 1*



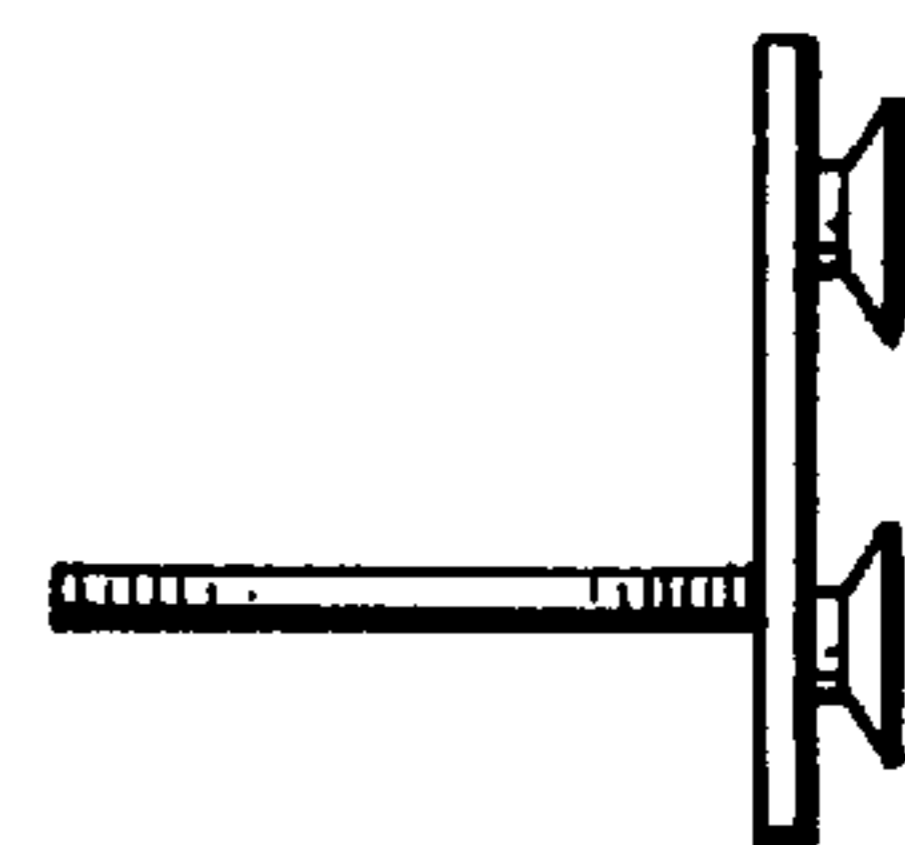
*FIG. 2*



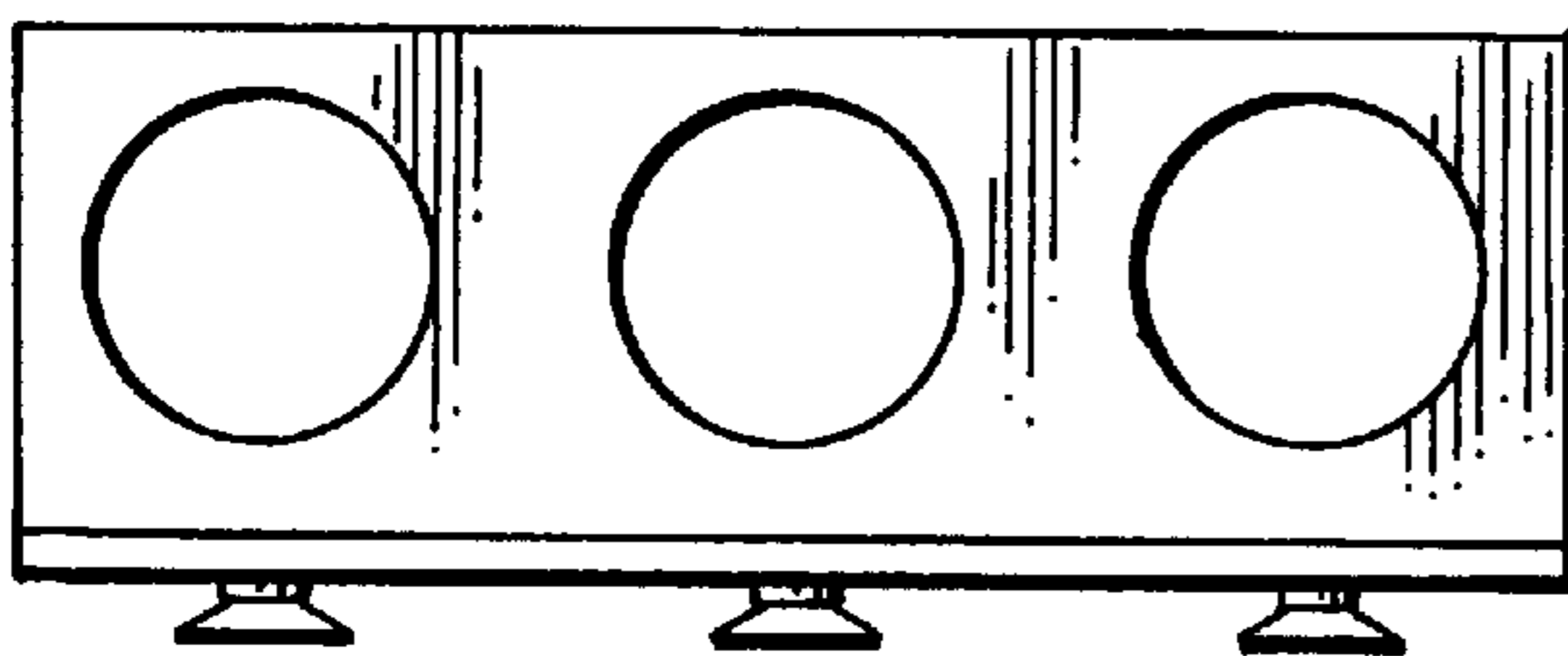
*FIG. 3*



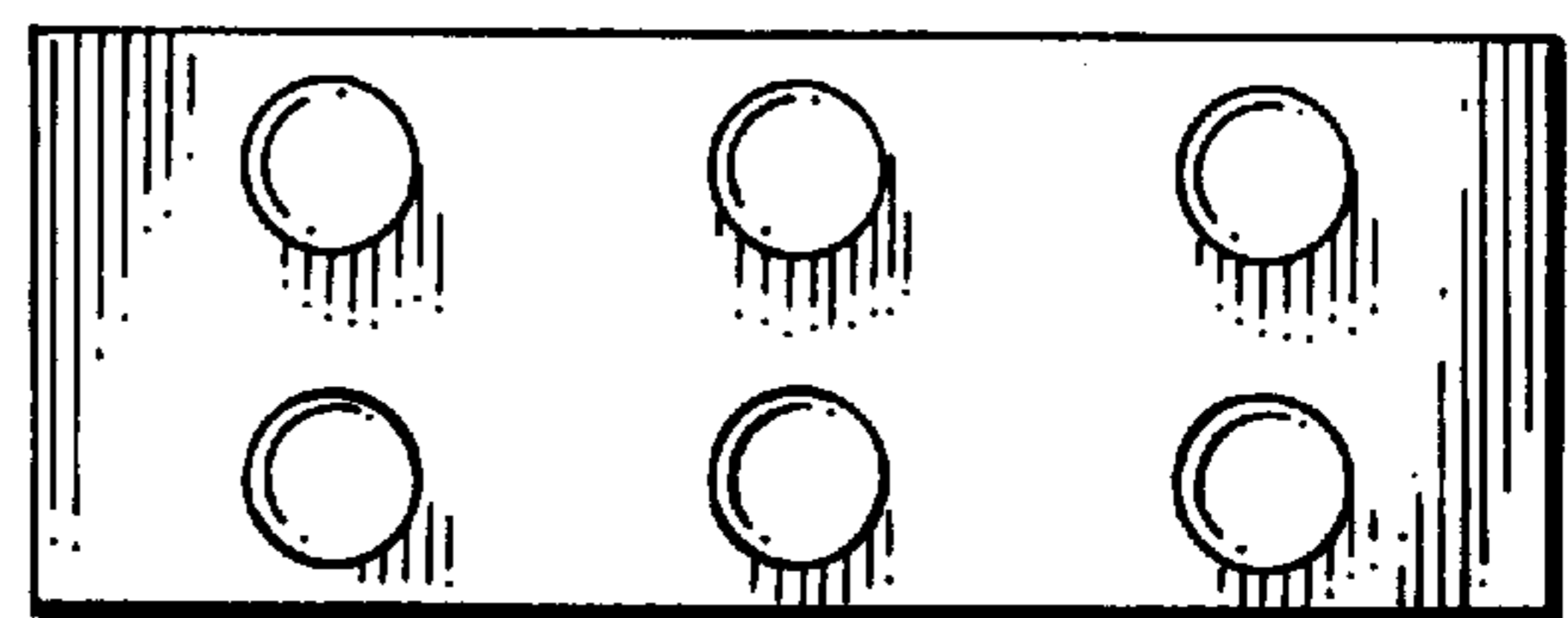
*FIG. 4*



*FIG. 5*



*FIG. 6*



*FIG. 7*