



US00D406714S

# United States Patent [19]

Eldon, III et al.

[11] Patent Number: **Des. 406,714**

[45] Date of Patent: **\*\*Mar. 16, 1999**

[54] **EYEGLASS DISPLAY FIXTURE**

[75] Inventors: **James B. Eldon, III**, Barto; **Richard J. Winig**, Bluebell; **Alan M. Winig**, Lafayette Hill, all of Pa.

[73] Assignee: **Eye Designs, Inc.**, Norristown, Pa.

[\*\*] Term: **14 Years**

[21] Appl. No.: **28,300**

[22] Filed: **Sep. 12, 1994**

[51] **LOC (6) Cl.** ..... **08-08**

[52] **U.S. Cl.** ..... **D6/567**

[58] **Field of Search** ..... D6/512, 553, 567,  
D6/569, 571-572, 574; 211/13, 70.6, 86-89,  
90, 126, 134; 248/902; 206/5

[56] **References Cited**

**U.S. PATENT DOCUMENTS**

D. 328,826	8/1992	Berger	.....	D6/567
1,421,196	6/1922	Fennimore	.	
3,229,944	1/1966	Everburg	.....	248/223
3,924,750	12/1975	Dunchock	.....	211/13
4,204,602	5/1980	Dunchock	.....	211/13
5,018,253	5/1991	Oppenheimer	.....	24/458
5,025,931	6/1991	Berger	.....	211/13
5,056,668	10/1991	Berger	.....	211/13
5,069,416	12/1991	Ennis	.....	248/902
5,085,388	2/1992	Creutz	.....	248/288.5
5,144,345	9/1992	Nyman	.....	351/41
5,176,262	1/1993	Zoueki	.....	211/13
5,255,796	10/1993	Josephson	.....	211/13

**OTHER PUBLICATIONS**

The Versa-Clip By Eye Designs, 1989.  
Dispensing Equipment, vol. XX, No. 21, p. 40, "Single Frame Floating Display" (Unique Custom), Irvine CA, 1992/1993.

*Primary Examiner*—Brian N. Vinson

*Attorney, Agent, or Firm*—Eckert Seamans Cherin & Mellott, LLC

[57] **CLAIM**

The ornamental design for an eyeglass display fixture, as shown and described.

**DESCRIPTION**

FIG. 1 is a top, front, and left side perspective view of an eyeglass display fixture showing our new design, the broken line disclosure of an additional fixture, eyeglasses, and partial display panel are for illustrative purposes only and form no part of the claimed design;

FIG. 2 is an enlarged front elevational view thereof;

FIG. 3 is an enlarged top plan view thereof;

FIG. 4 is an enlarged right side elevational view thereof;

FIG. 5 is an enlarged left side elevational view thereof;

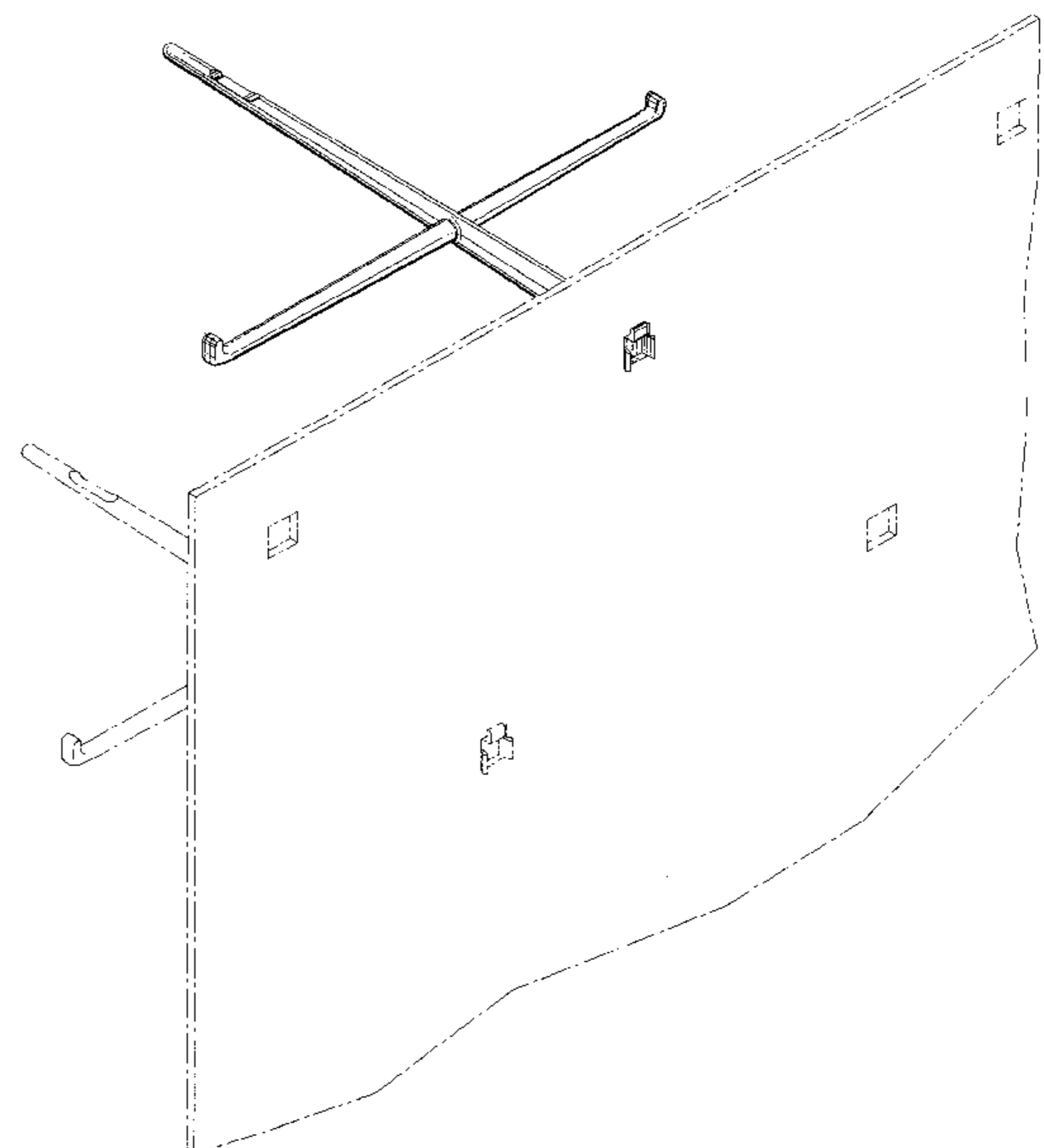
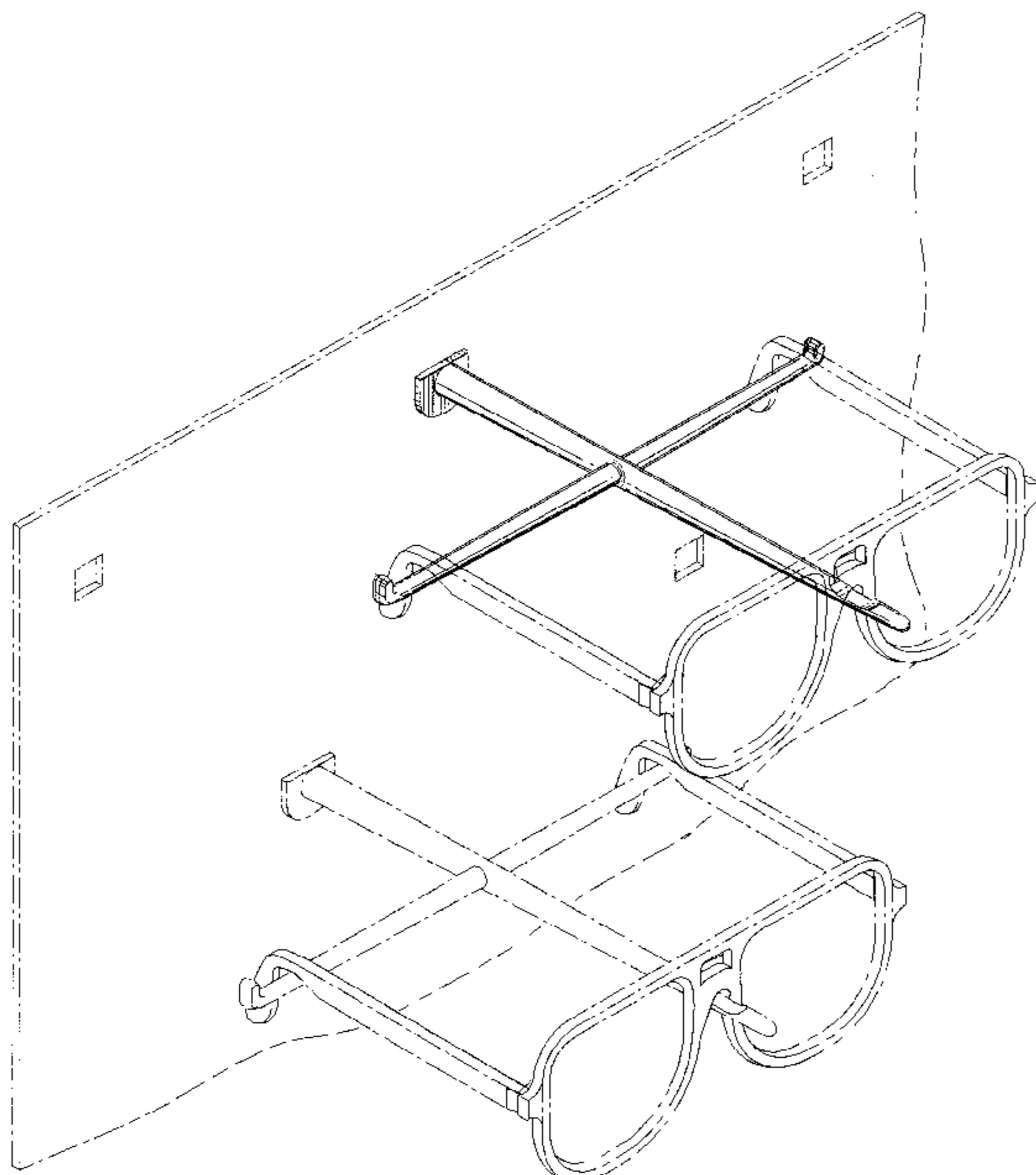
FIG. 6 is an enlarged rear elevational view thereof;

FIG. 7 is an enlarged bottom plan view thereof;

FIG. 8 is a top, front, and left side perspective view thereof, the broken line disclosure of an additional fixture and partial display panel are for illustrative purposes only and form no part of the claimed design; and,

FIG. 9 is top, rear, and right side perspective view thereof, the broken line disclosure of an additional fixture and partial display panel are for illustrative purposes only and form no part of the claimed design.

**1 Claim, 7 Drawing Sheets**



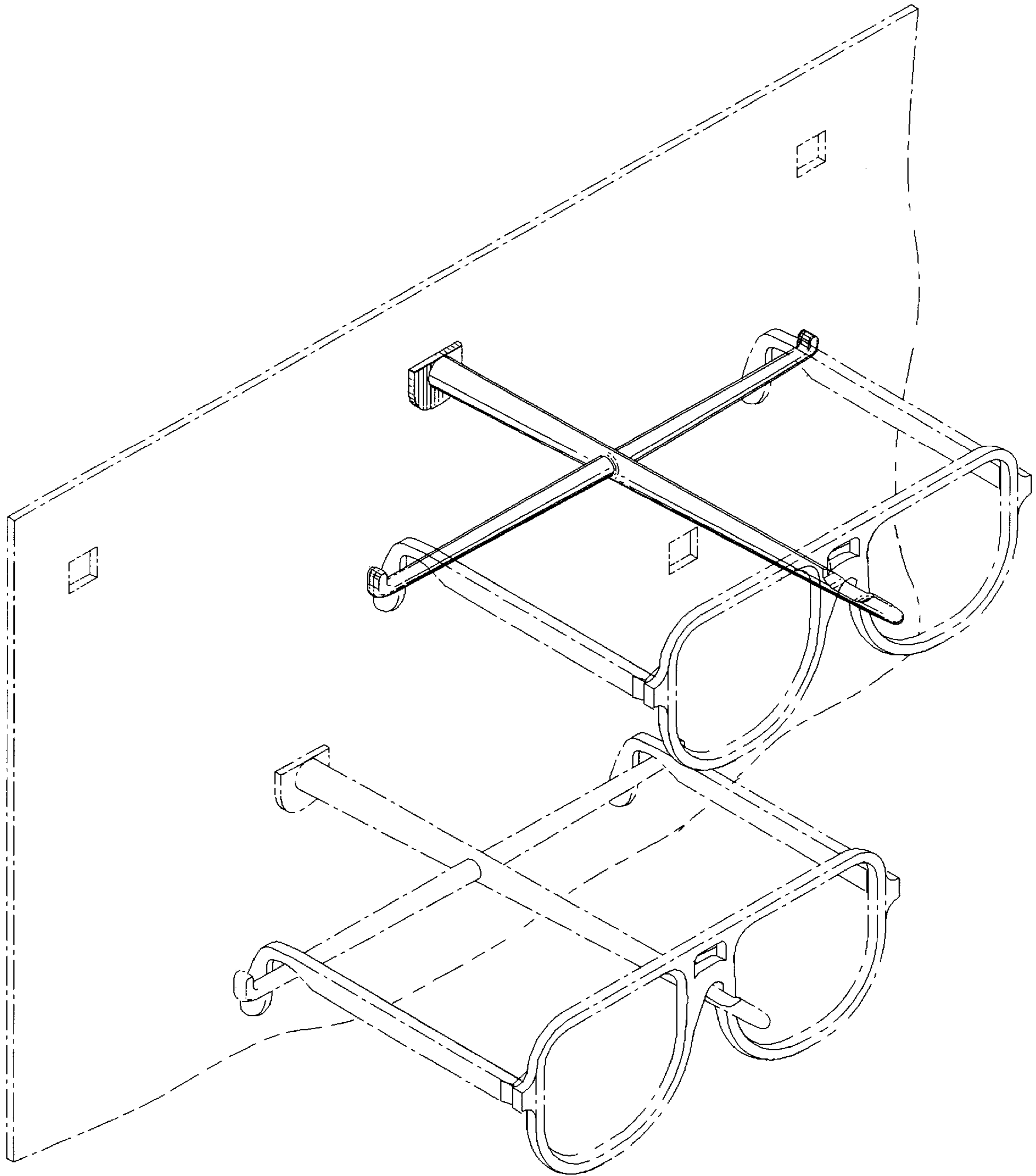
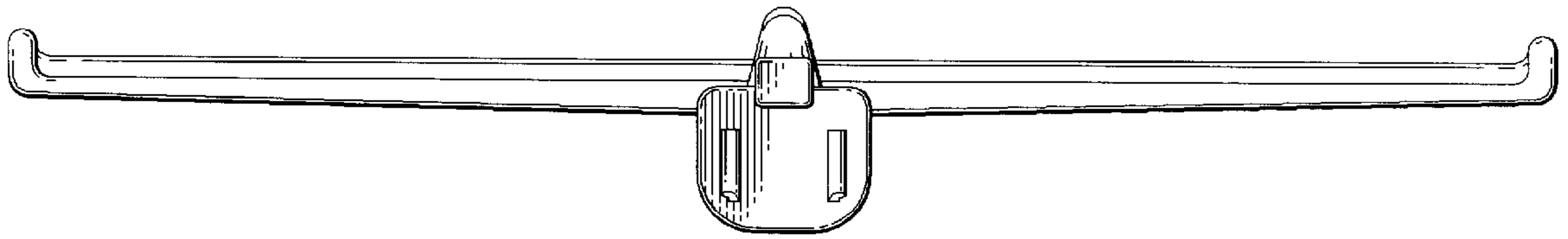
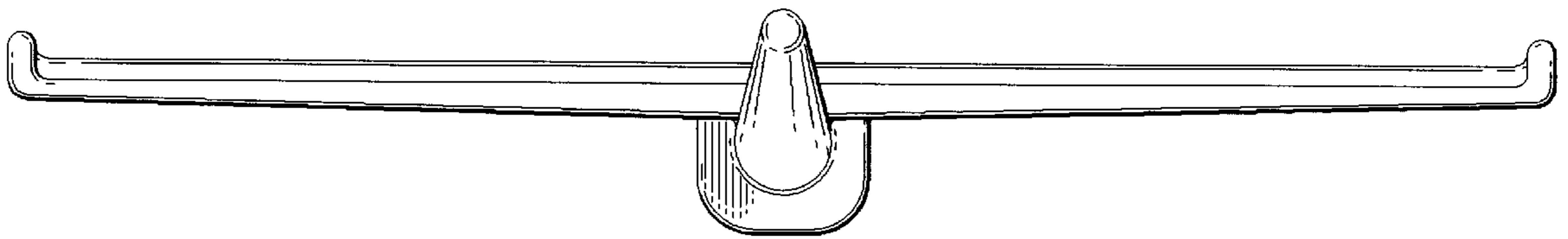


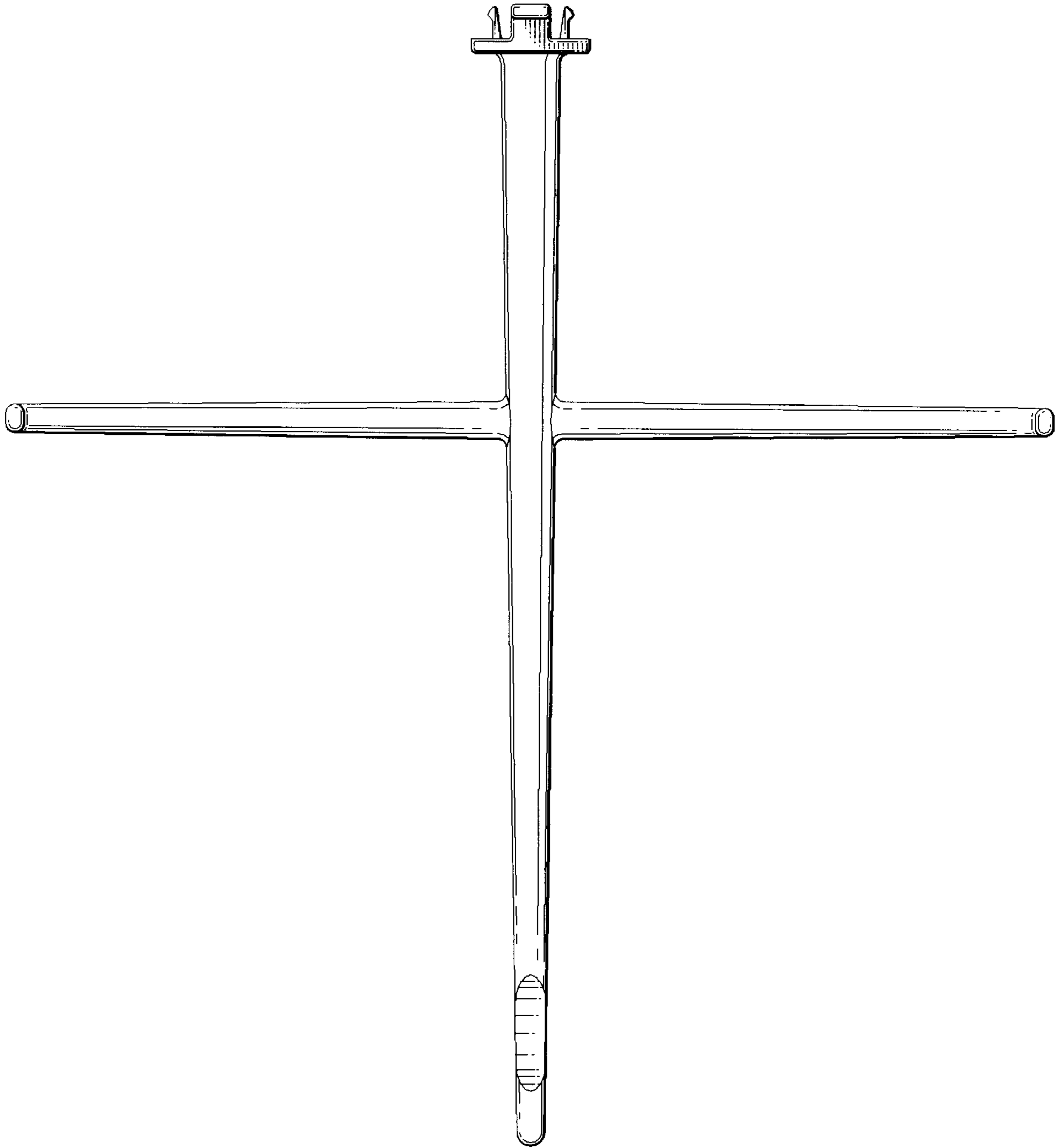
FIGURE 1

*FIGURE 6*



*FIGURE 2*





*FIGURE 3*

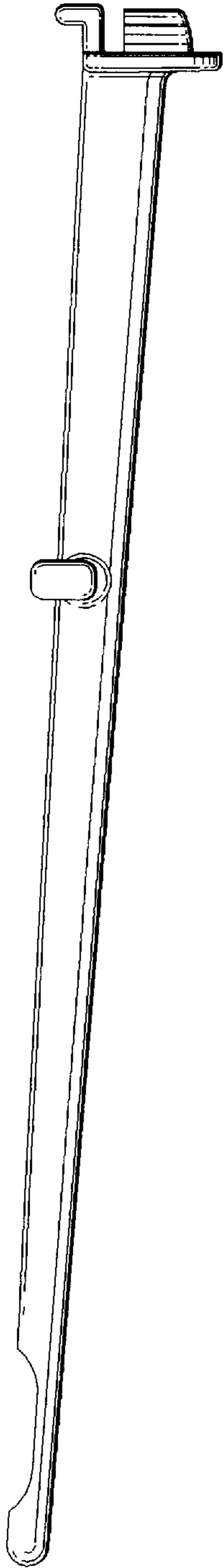


FIGURE 4

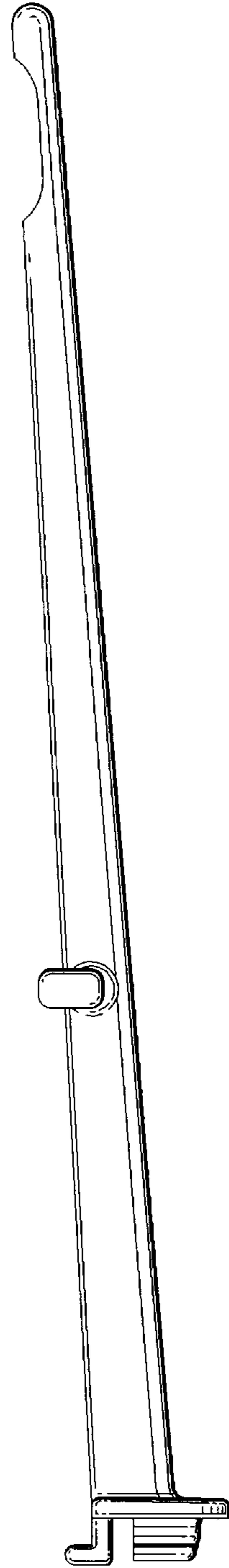
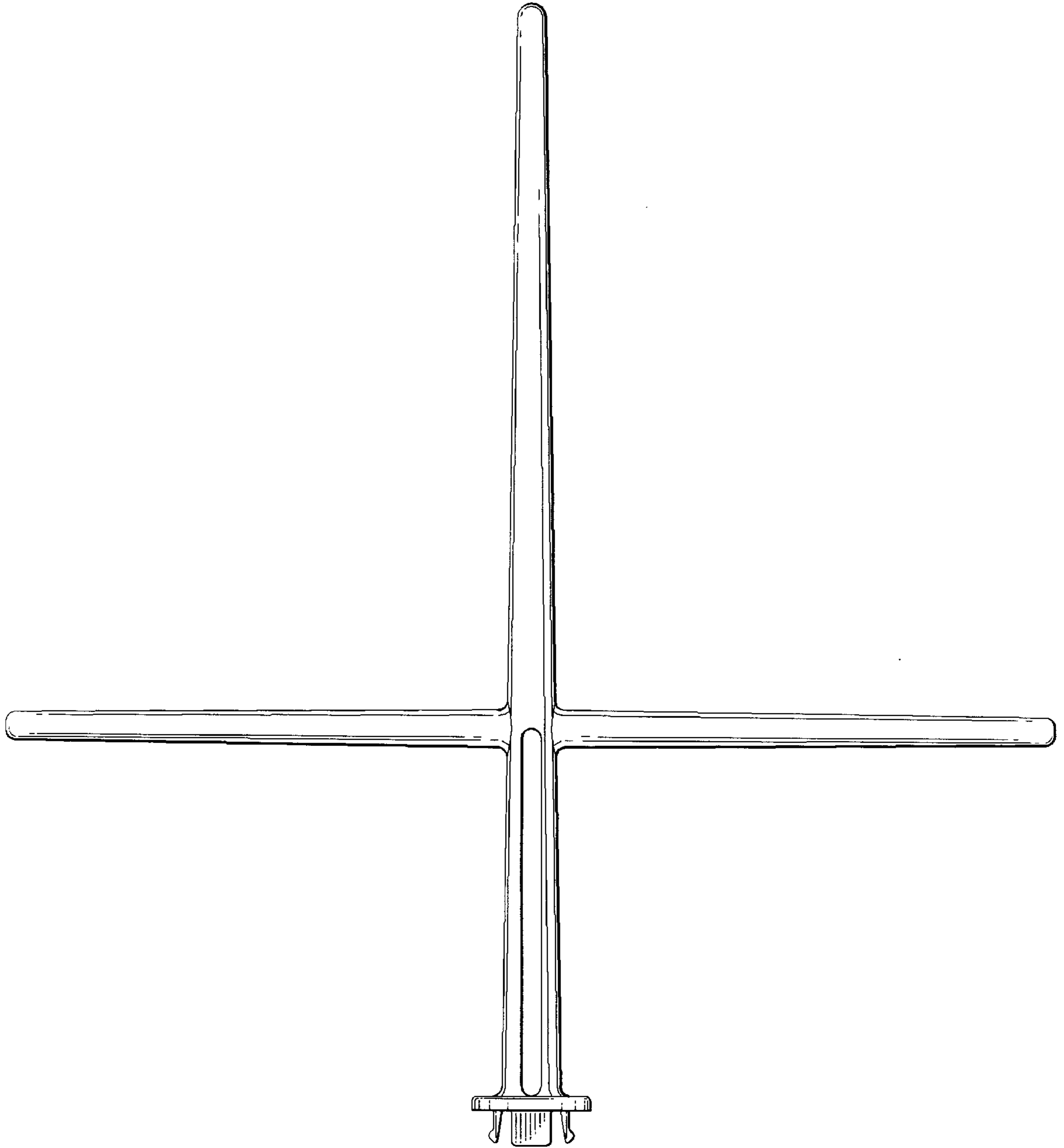


FIGURE 5



*FIGURE 7*

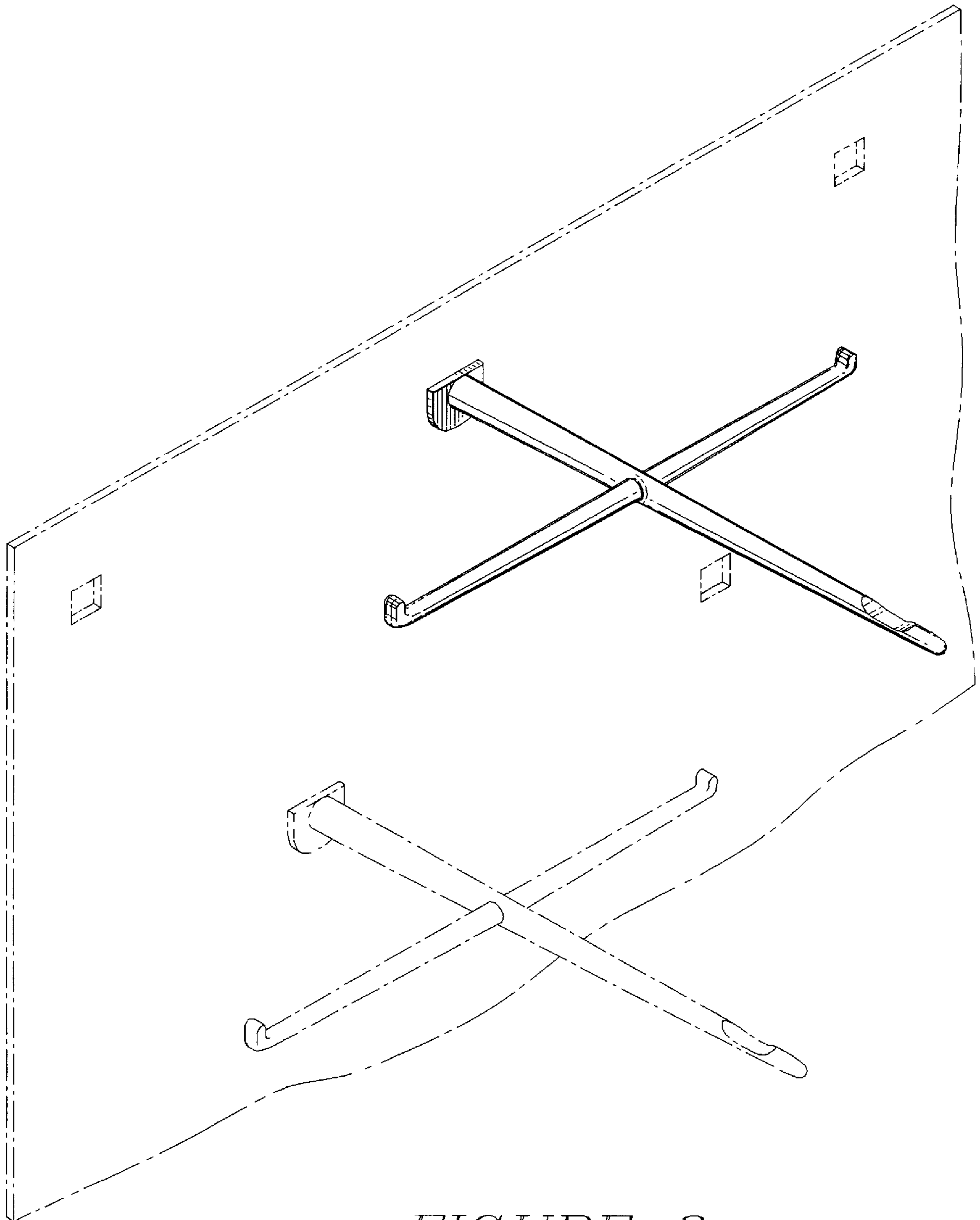


FIGURE 8



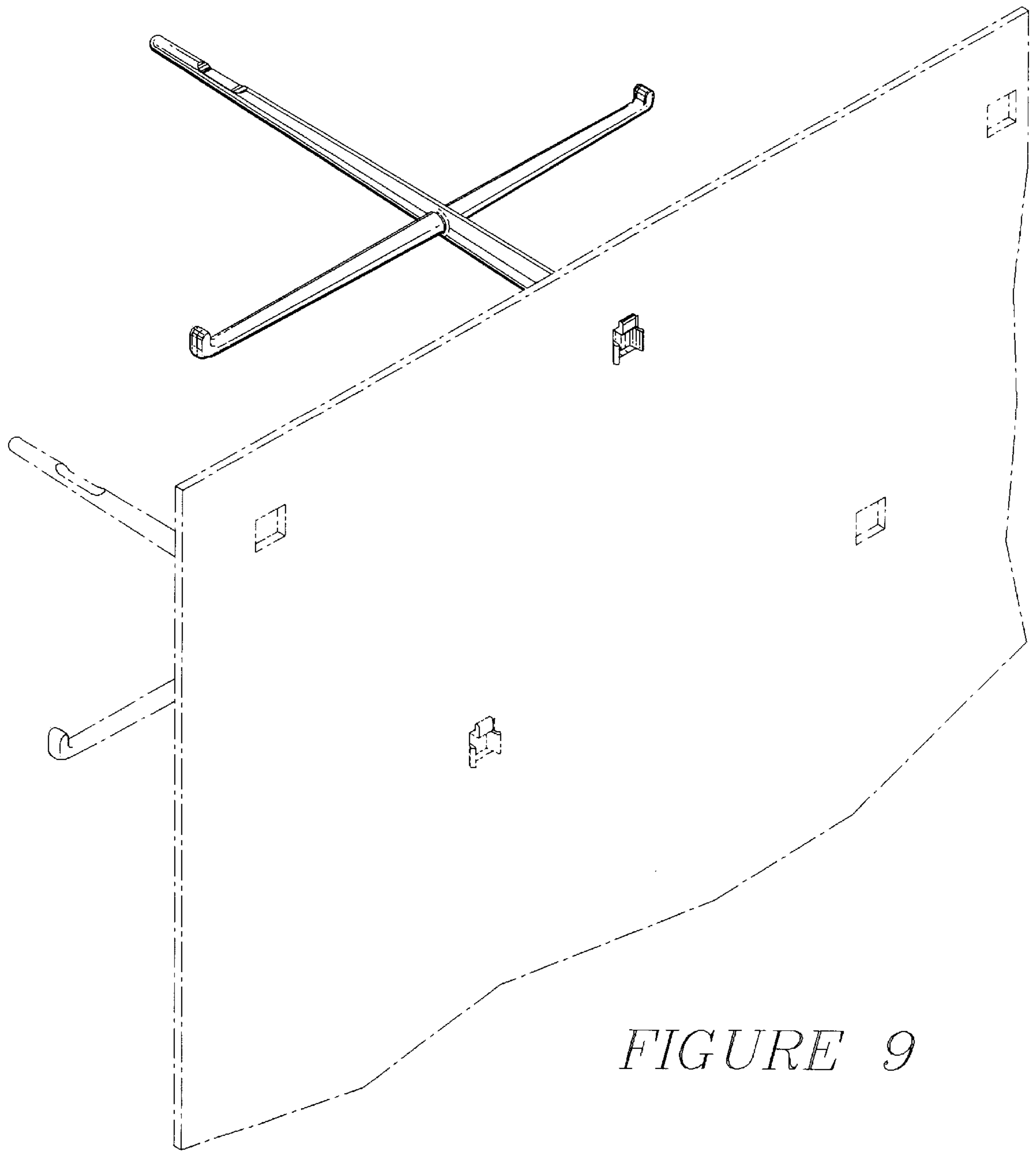


FIGURE 9