



US00D406711S

# United States Patent [19] Niemiec

[11] Patent Number: **Des. 406,711**

[45] Date of Patent: **\*\*Mar. 16, 1999**

[54] **CHAISE LOUNGE**

[75] Inventor: **Leo P. Niemiec**, Northfield, Ill.

[73] Assignee: **Lawnware Products, Inc.**, Morton Grove, Ill.

[\*\*] Term: **14 Years**

[21] Appl. No.: **75,793**

[22] Filed: **Aug. 25, 1997**

[51] **LOC (6) Cl.** ..... **06-06**

[52] **U.S. Cl.** ..... **D6/502; D6/358; D6/361**

[58] **Field of Search** ..... **D6/334, 335, 358, D6/361, 369, 370, 500, 501, 502; 297/350, 354.13, 378.1**

[56] **References Cited**

**U.S. PATENT DOCUMENTS**

D. 189,344	11/1960	Woodand	.....	D6/358
D. 340,955	11/1993	Hess	.	
D. 342,391	12/1993	Caldwell	.....	D6/376
D. 357,154	4/1995	Hess	.....	D6/361
D. 358,947	6/1995	Weiss	.	
D. 380,620	7/1997	Niemiec	.....	D6/358

**OTHER PUBLICATIONS**

Brown Jordon, 1983, p. 28, "Elegance" chair at bottom left. Lawrence brochure page, Stacking Chaise Lounge, Aug., 1994.

Tye-Sil Corporation 1998 catalog p. 20, Atlantic Sun Lounge, Savannah, and Trellia Ross. Aug., 1997.

*Primary Examiner*—Gary D. Watson  
*Attorney, Agent, or Firm*—Tilton, Fallon, Lungmus & Chestnut

[57] **CLAIM**

The ornamental design for a chaise lounge, as shown and described.

**DESCRIPTION**

FIG. 1 is a perspective view of the chaise lounge; FIG. 2 is a top plan view of the chaise lounge shown with the chairback in a vertical position; FIG. 3 is a front elevational view of the chaise lounge shown in FIG. 2; FIG. 4 is a side elevational view of the chaise lounge shown in FIG. 2, the opposite side being a mirror image thereof; FIG. 5 is a bottom plan view of the chaise lounge shown in FIG. 2; and, FIG. 6 is a rear elevational view of the chaise lounge shown in FIG. 2. The seat portion of the lounge chair shown in broken lines in FIG. 1 is for illustrative purposes only and forms no part of the claimed design. FIGS. 2 through 6 have been shown on an enlarged scale with respect to FIG. 1.

**1 Claim, 3 Drawing Sheets**

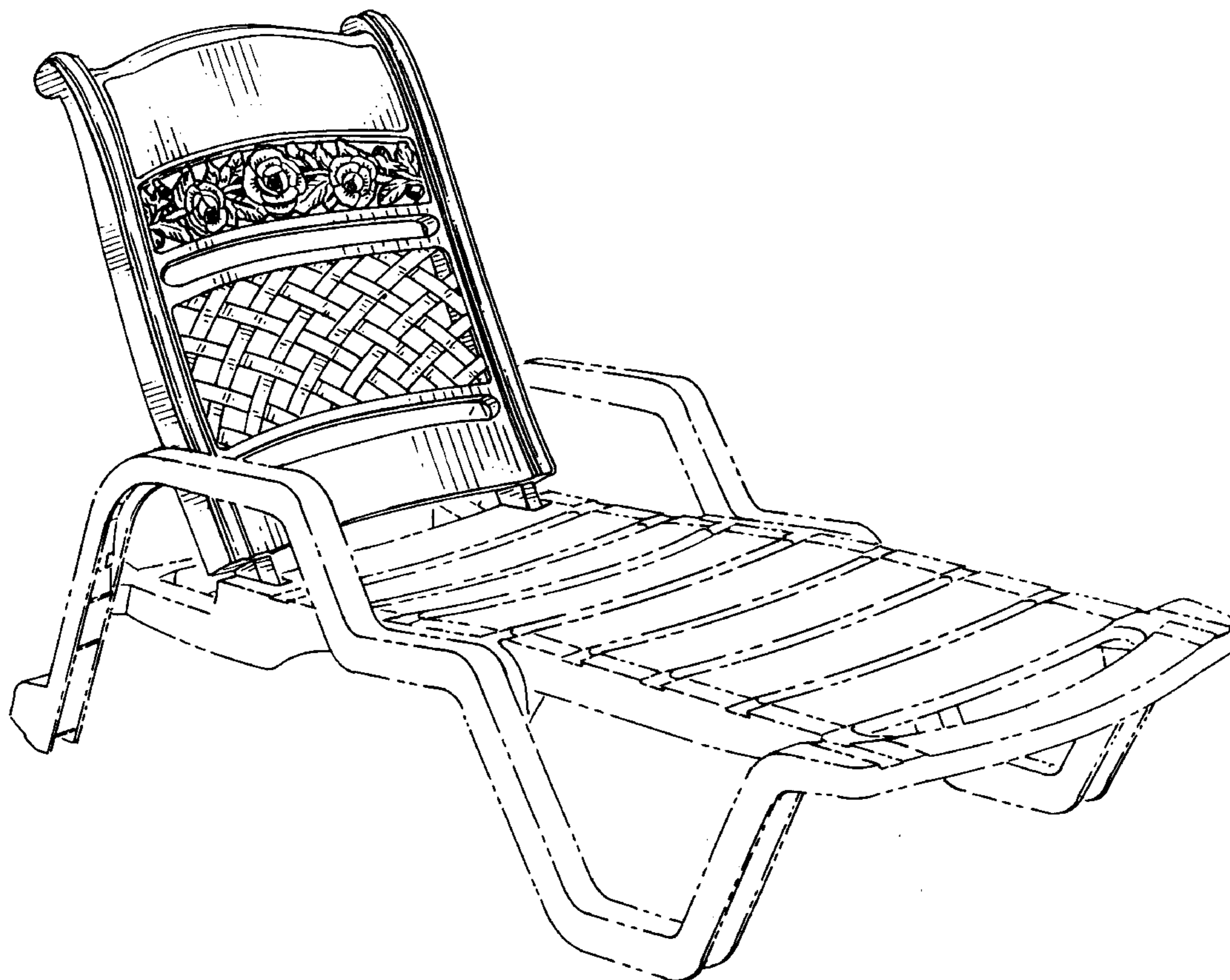


FIG. 1

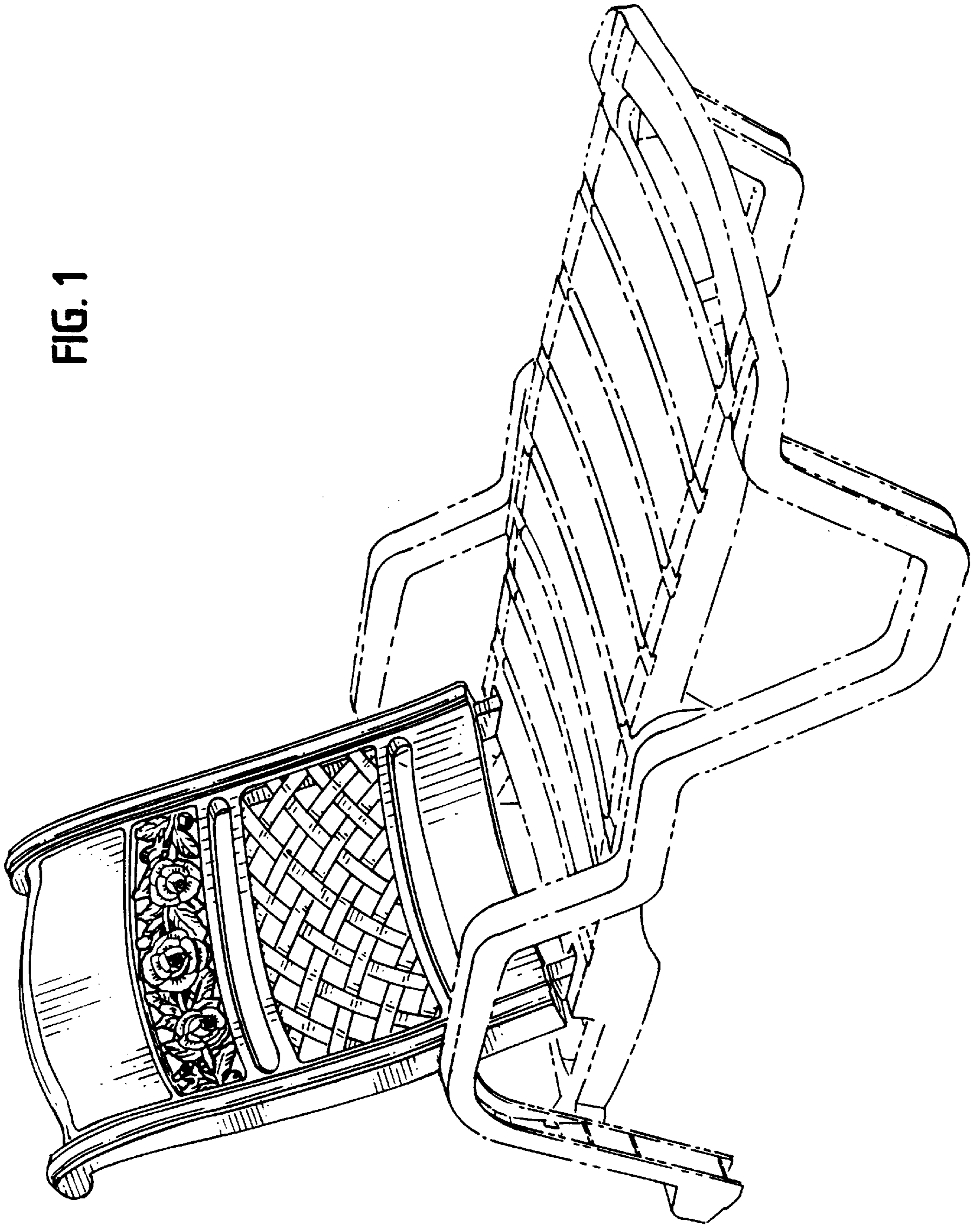


FIG. 2

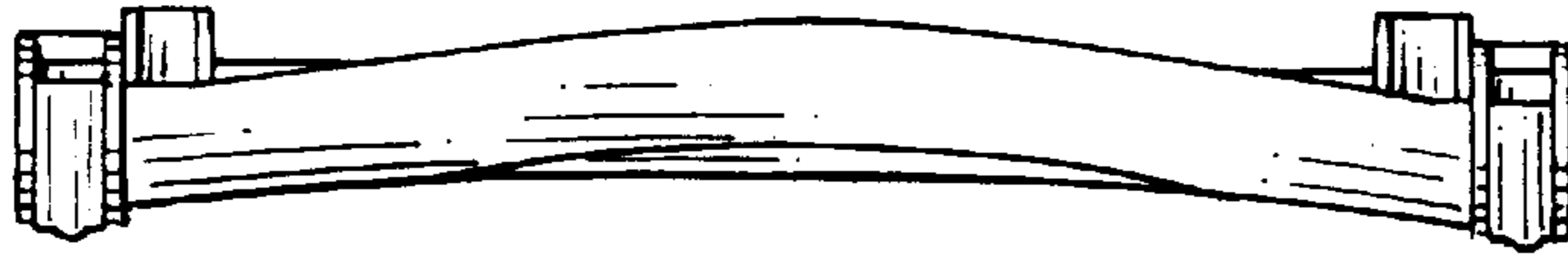


FIG. 3

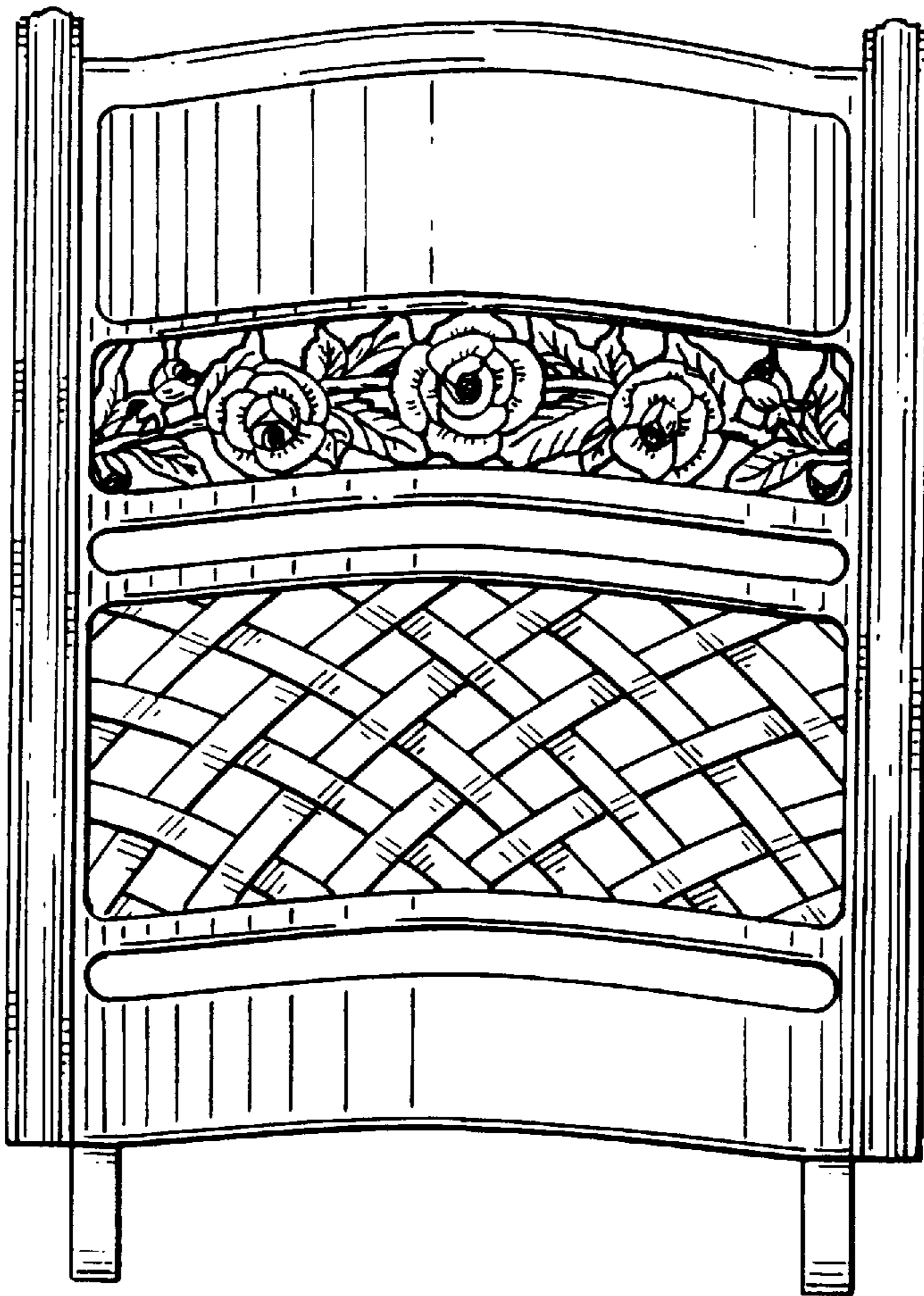


FIG. 4

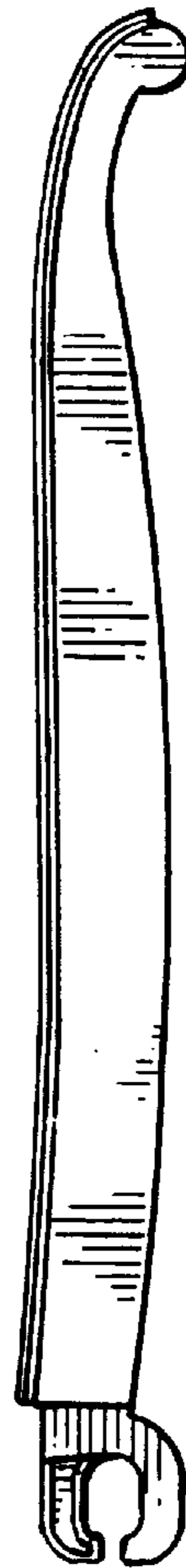


FIG. 5



FIG. 6

