



US00D406708S

United States Patent [19]
Hilton

[11] **Patent Number: Des. 406,708**

[45] **Date of Patent: **Mar. 16, 1999**

[54] **ROTATABLE TOP TABLE**

[76] Inventor: **Marjorie Hilton**, 910 Park Ave., New York, N.Y. 10021

[**] Term: **14 Years**

[21] Appl. No.: **63,348**

[22] Filed: **Dec. 4, 1996**

[51] **LOC (6) Cl.** **06-03**

[52] **U.S. Cl.** **D6/480; D6/349; D6/429**

[58] **Field of Search** D6/480-489, 495, D6/496, 498, 499, 429, 349; 108/153, 157, 158, 161; 248/188, 188.1

[56] **References Cited**

U.S. PATENT DOCUMENTS

D. 283,656	5/1986	Mennes	D6/480
4,383,488	5/1983	Macho et al.	108/156 X
4,644,876	2/1987	Thomas	108/156

OTHER PUBLICATIONS

Sodibois Jarden, table in center.

Primary Examiner—Janice E. Seeger

Attorney, Agent, or Firm—Evelyn M. Sommer

[57] **CLAIM**

The ornamental design for a rotatable top table, as shown and described.

DESCRIPTION

FIG. 1 is a perspective view of the instant rotatable top table, illustrating a square shaped top, a leg configuration and wheels or casters upon which the table is mounted;

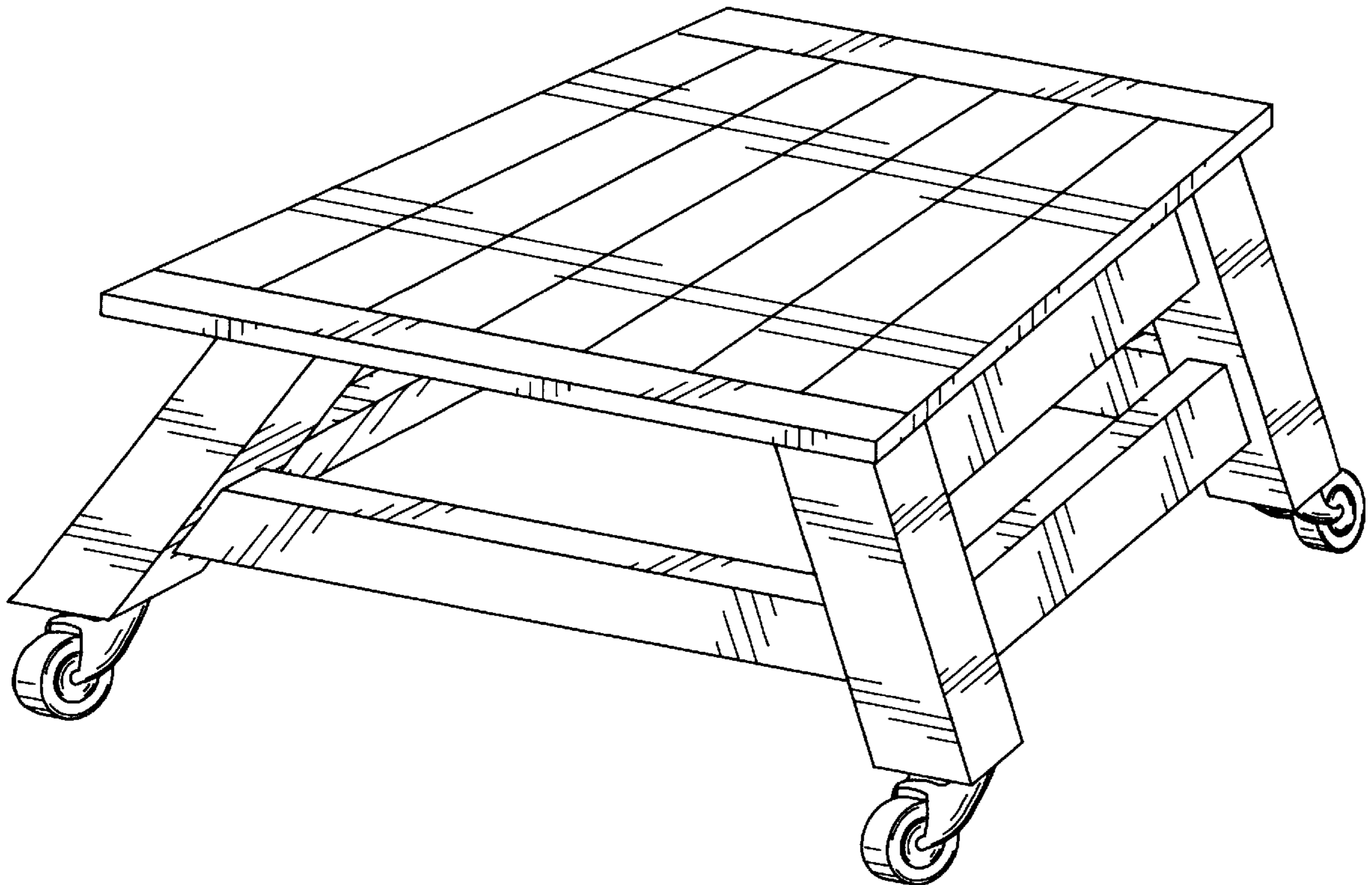
FIG. 2 is a top view of the instant rotatable top table, illustrating the square shaped top and planks which form the top;

FIG. 3 is a side view of the instant rotatable top table, illustrating a side of the table and two of the wheels or casters upon which the table is mounted;

FIG. 4 is another side view of the instant rotatable top table, illustrating another side of the table and two of the wheels or casters upon which the table is mounted; and,

FIG. 5 is a top view of the instant rotatable top table, illustrating the top in a rotated position.

1 Claim, 3 Drawing Sheets



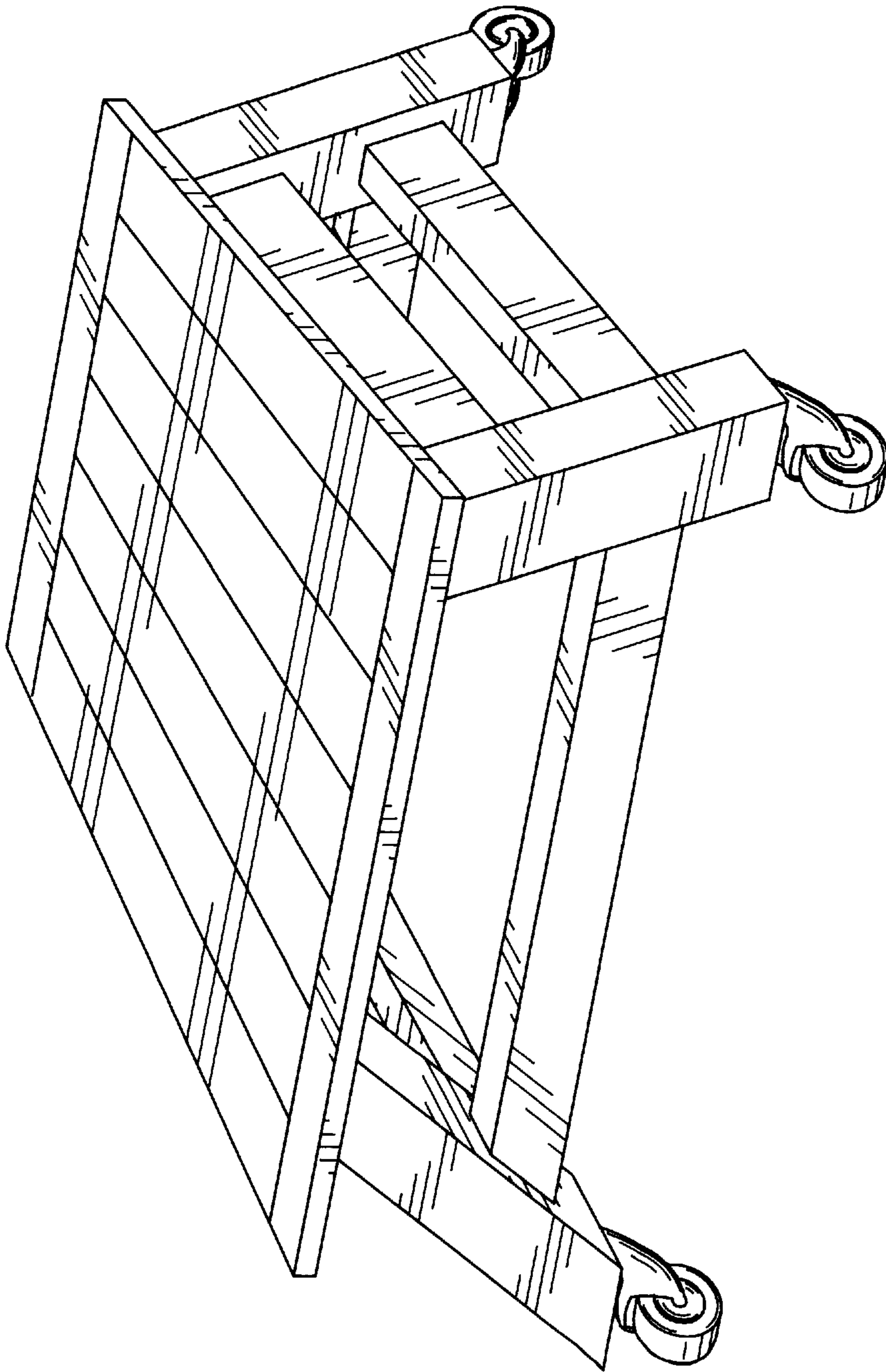


FIG. 1

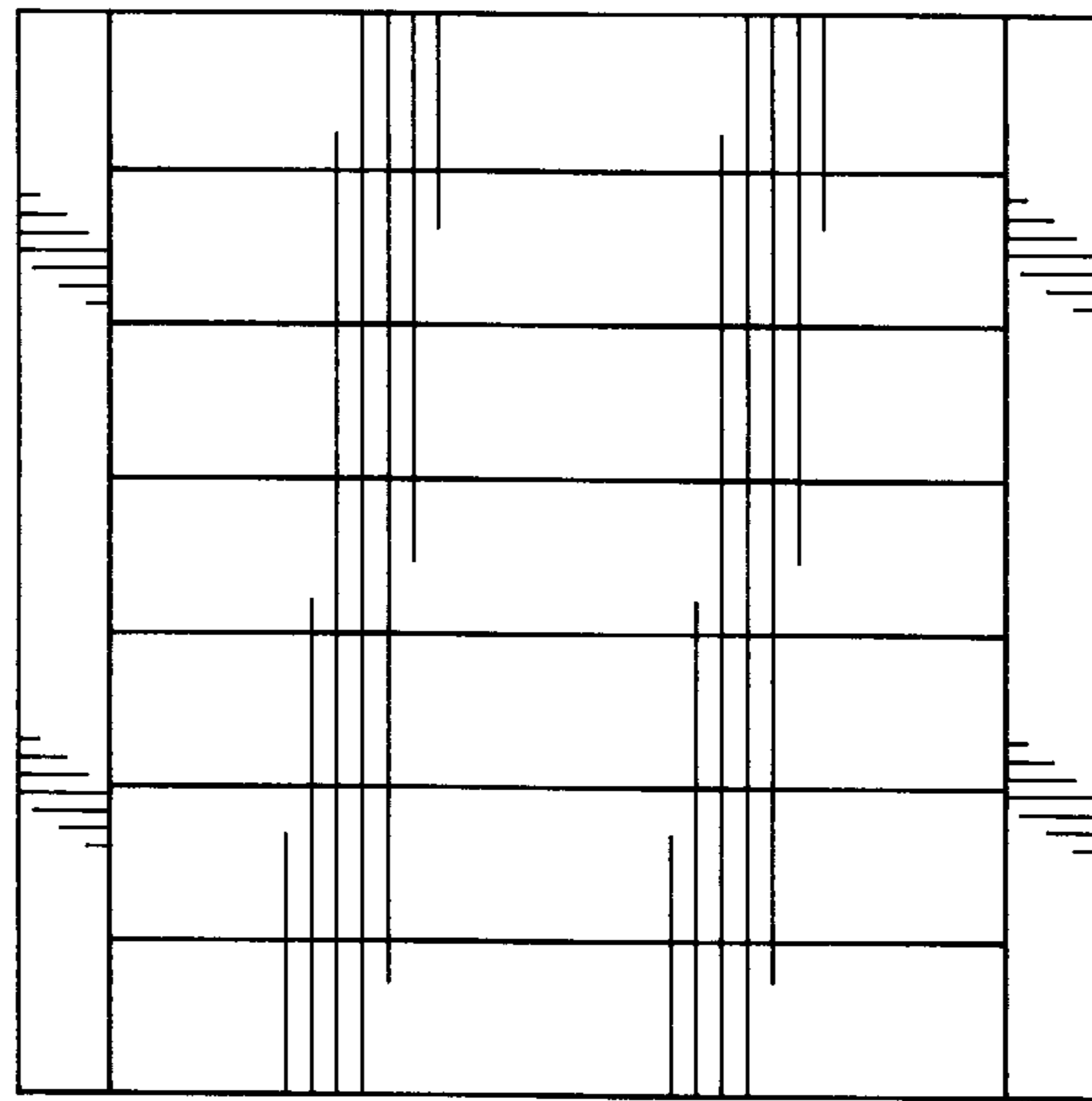


FIG. 2

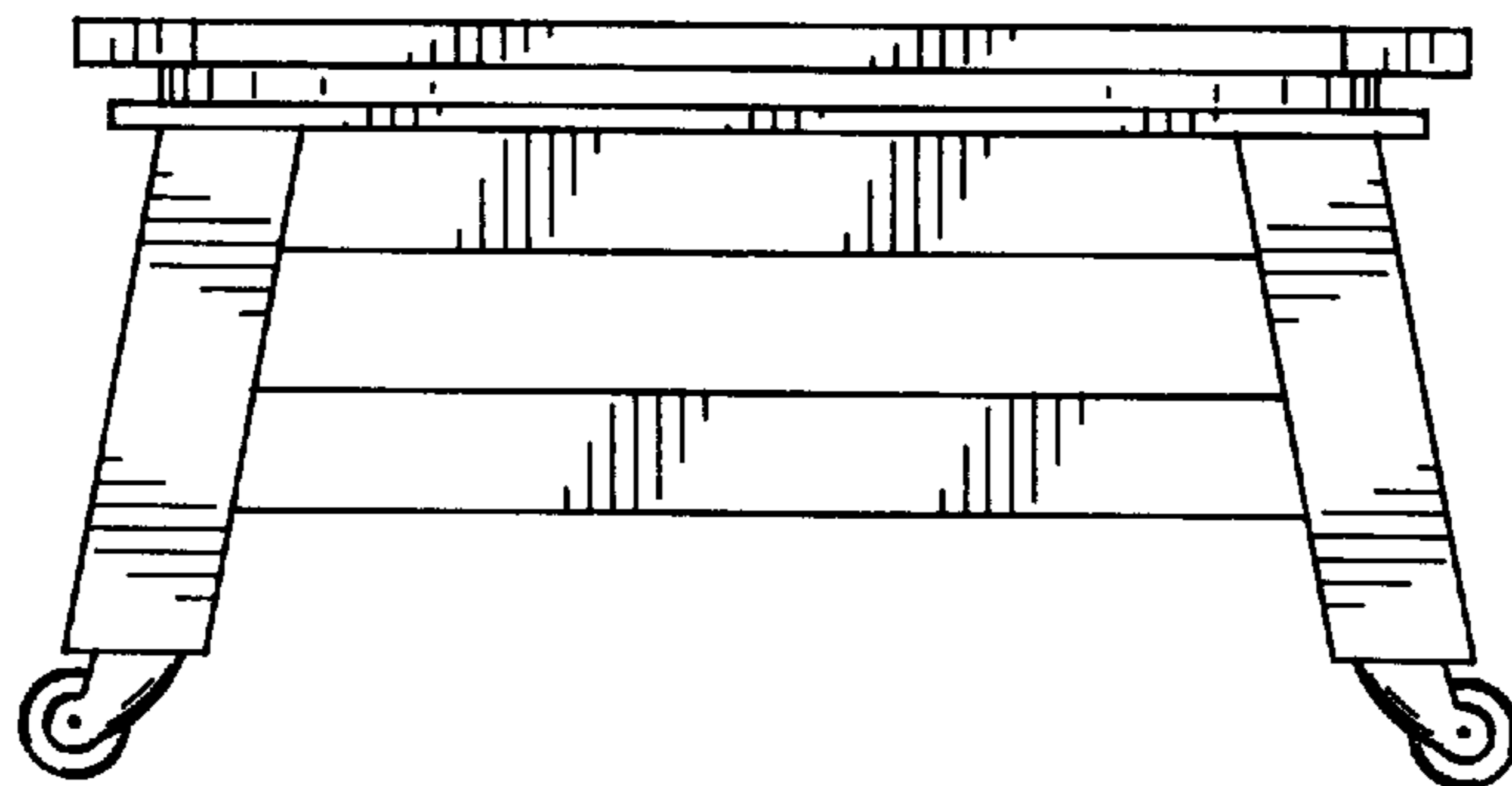


FIG. 3

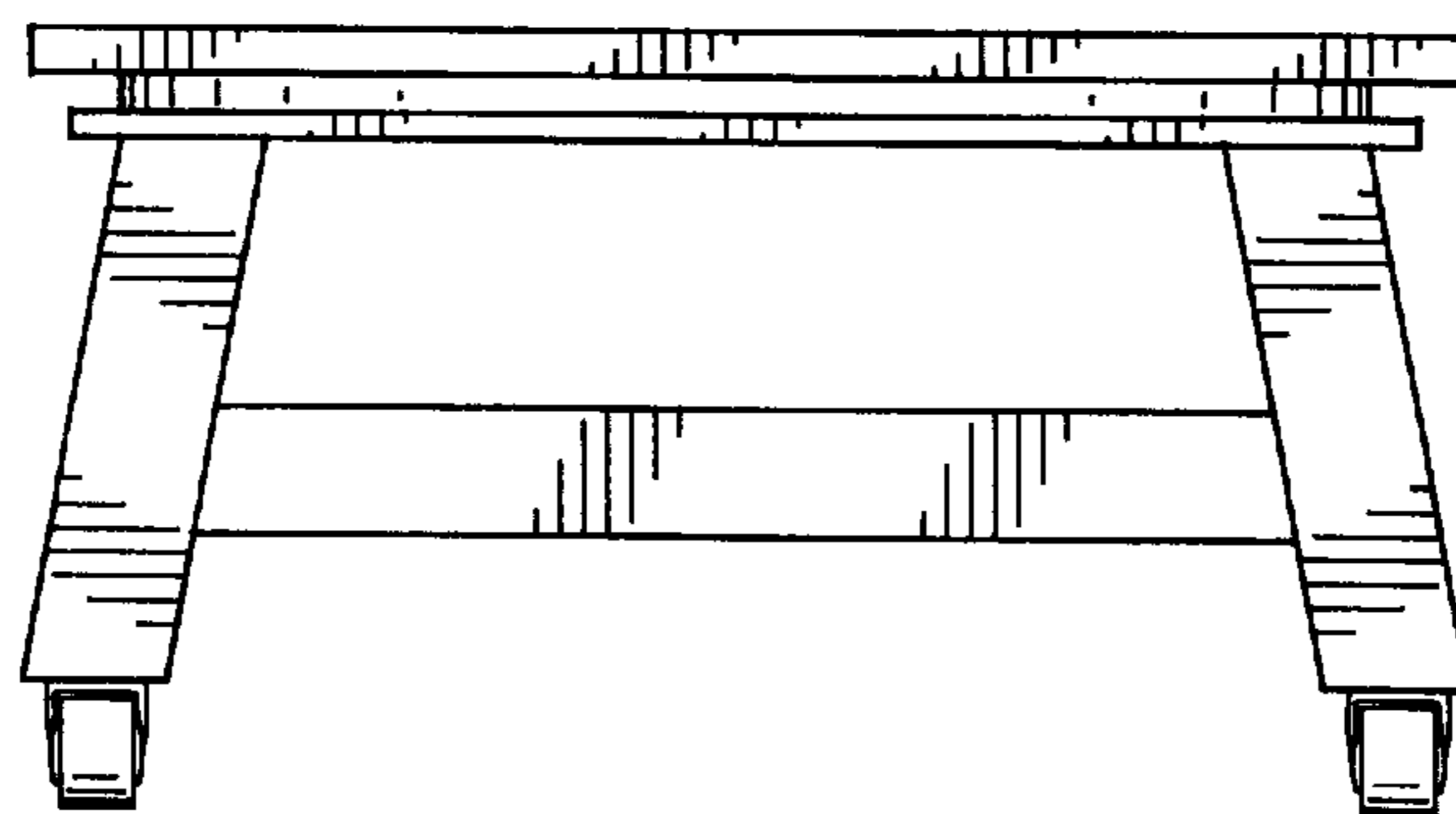


FIG. 4

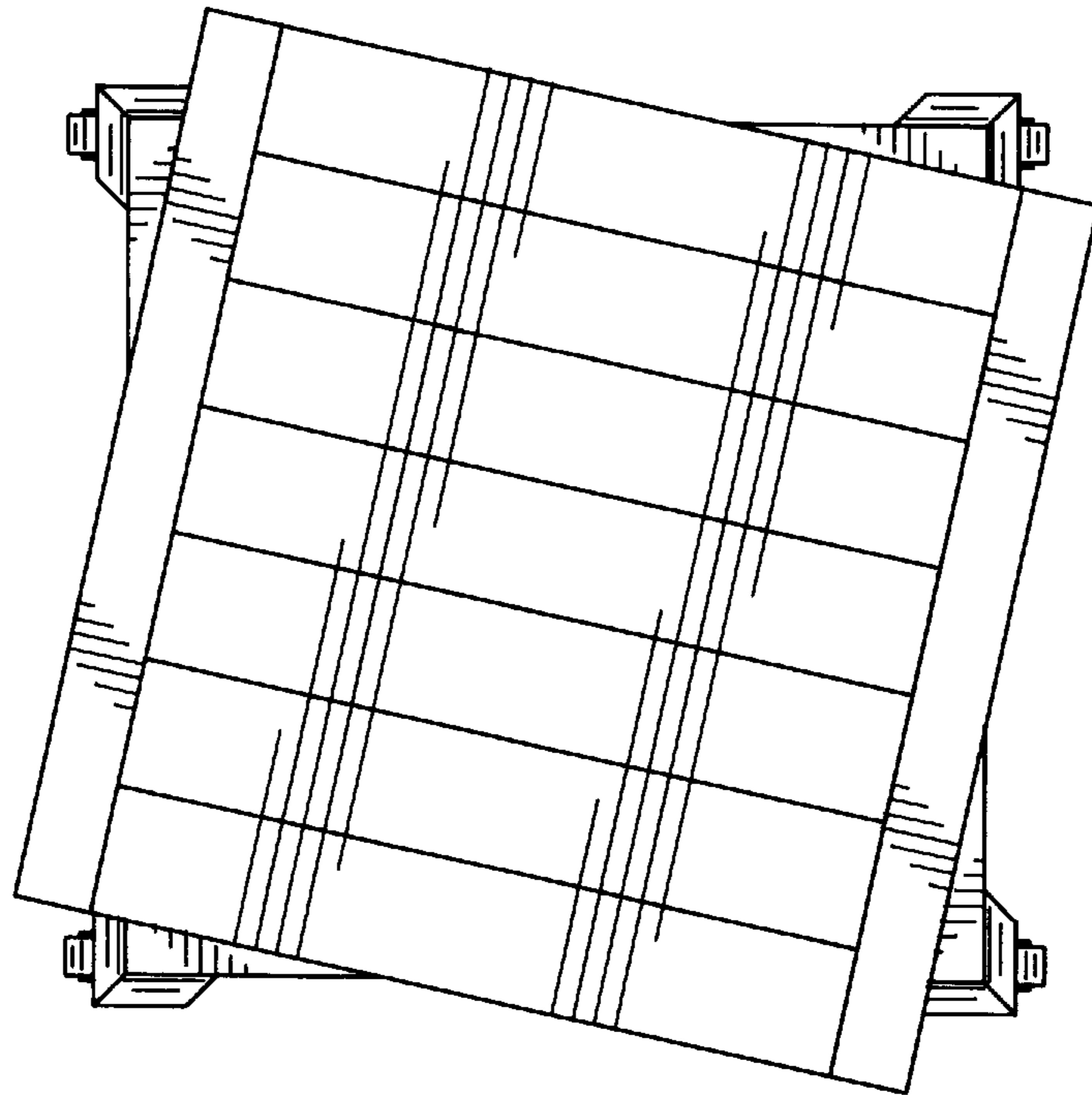


FIG. 5