



US00D406706S

United States Patent [19]

Samborn et al.

[11] Patent Number: **Des. 406,706**

[45] Date of Patent: ****Mar. 16, 1999**

[54] **COUNTER TOP DISPLAY STRUCTURE FOR FOOD DISPENSING AREA**

[75] Inventors: **Michael R. Samborn**, Atlanta; **William Randolph Dudley, Jr.**, Lawrenceville, both of Ga.

[73] Assignee: **Kraft Foods, Inc.**, Northfield, Ill.

[**] Term: **14 Years**

[21] Appl. No.: **74,745**

[22] Filed: **Aug. 6, 1997**

[51] **LOC (6) Cl.** **06-04**

[52] **U.S. Cl.** **D6/462; D20/41; D25/61**

[58] **Field of Search** D6/303, 316, 412, D6/434, 450, 451, 452, 462, 465, 509, 511, 436-439; D11/166, 181, 182, 157, 164; D20/10, 19, 41, 29; 52/311.1, 79.6; D25/61; 40/411, 369, 603, 604, 605, 606, 607, 608

[56] **References Cited**

U.S. PATENT DOCUMENTS

D. 21,979	11/1892	Huss	D6/452
D. 62,994	9/1923	Kaucher	D20/29 X
D. 139,876	1/1945	Cole et al.	D6/450
D. 144,436	4/1946	Ylitalo	D6/303
D. 183,387	8/1958	Flauder	D11/164
D. 193,125	6/1962	Pope	D6/450
D. 323,254	1/1992	Reda	D6/450
2,106,839	2/1938	Gilbert	240/2
2,443,871	6/1948	Shield	211/71

3,125,385	3/1964	Friedman	312/107
3,170,541	2/1965	Werner	186/1
3,908,830	9/1975	Skrzelowski	211/55
4,401,223	8/1983	Spamer	211/134
5,607,211	3/1997	Henninger	312/204

OTHER PUBLICATIONS

Pending U.S. applications No. 08/906,993, Samborn, et al., filed Aug. 6, 1997.

Pending U.S. applications No. 08/905,273, Samborn, et al., filed Aug. 6, 1997.

Primary Examiner—Doris V. Coles

Assistant Examiner—Linda Brooks

Attorney, Agent, or Firm—Fitch, Even, Tabin & Flannery

[57] **CLAIM**

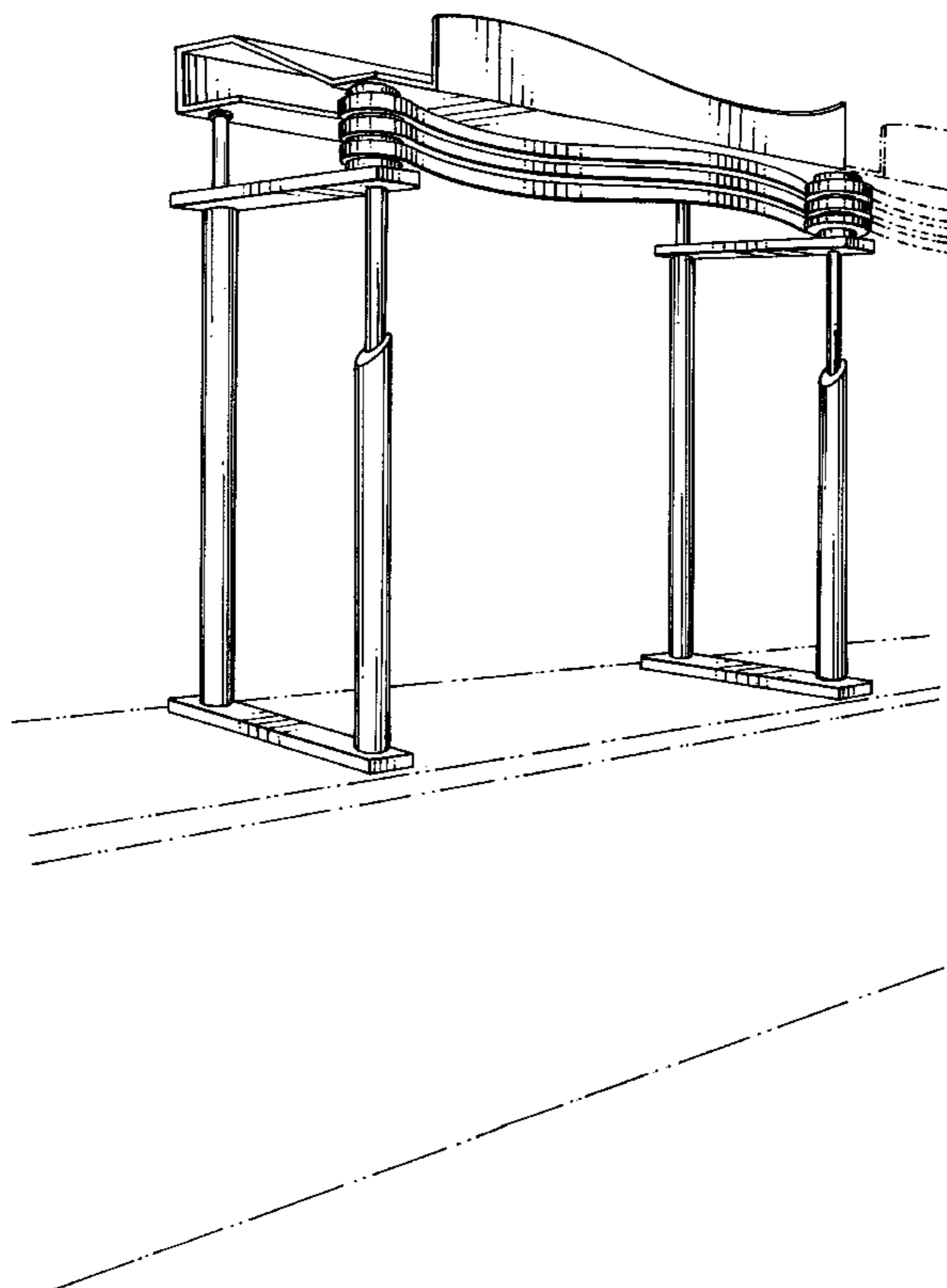
The ornamental design for a counter top display structure for food dispensing area, as shown and described.

DESCRIPTION

FIG. 1 is a perspective view of a counter top display structure for food dispensing area showing our new design; FIG. 2 is a side elevational view thereof taken from the left-hand side of FIG. 1, the right-hand side elevational view being a mirror image; and, FIG. 3 is a front elevational view thereof.

The bottom, top, and rear of the counter top display structure for food dispensing area form no part of the claimed design. The broken line structure shown in FIGS. 1, 2, and 3 is for illustrative purposes only and forms no part of the claimed design.

1 Claim, 2 Drawing Sheets



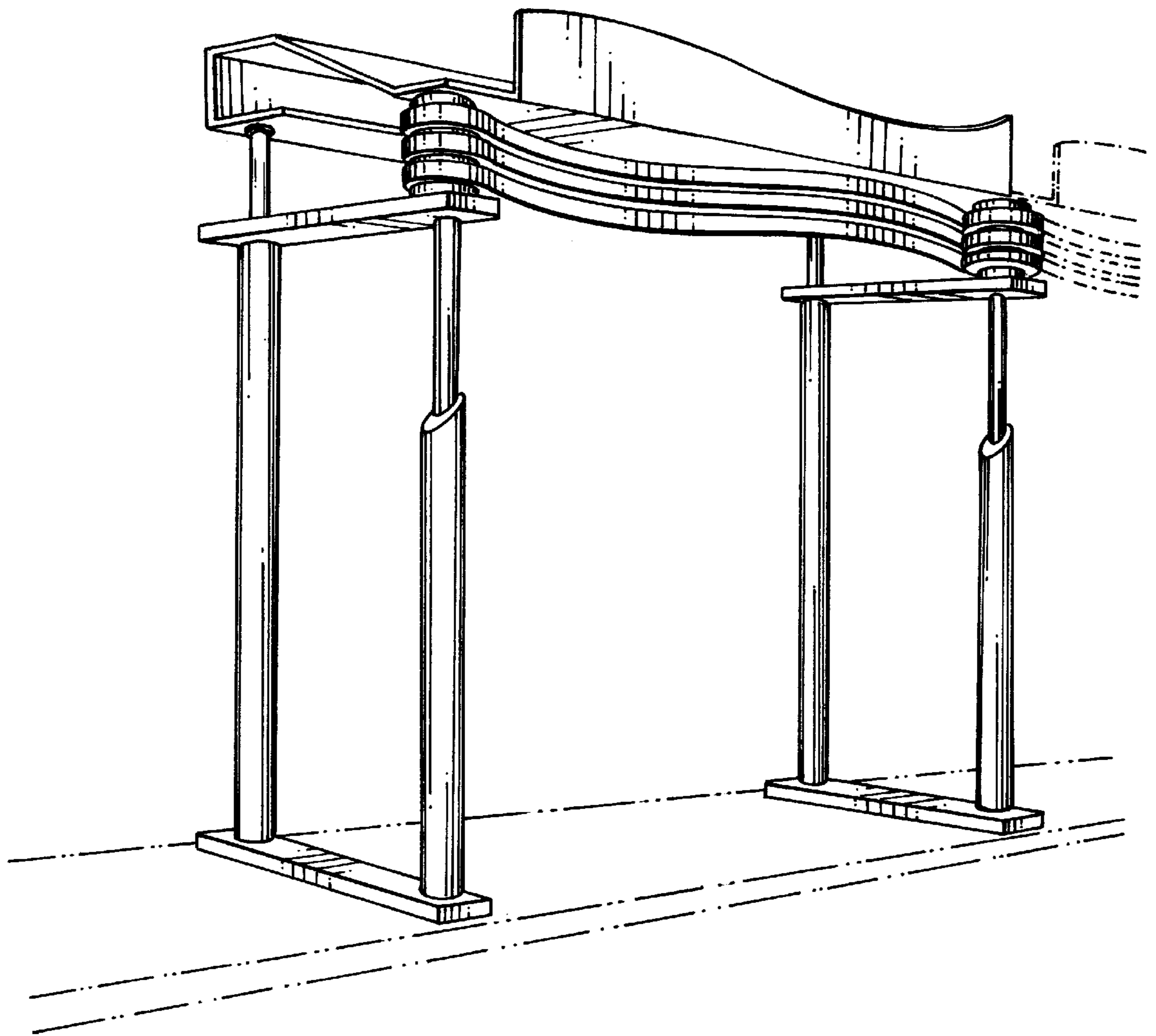


Fig. 1

Fig. 3

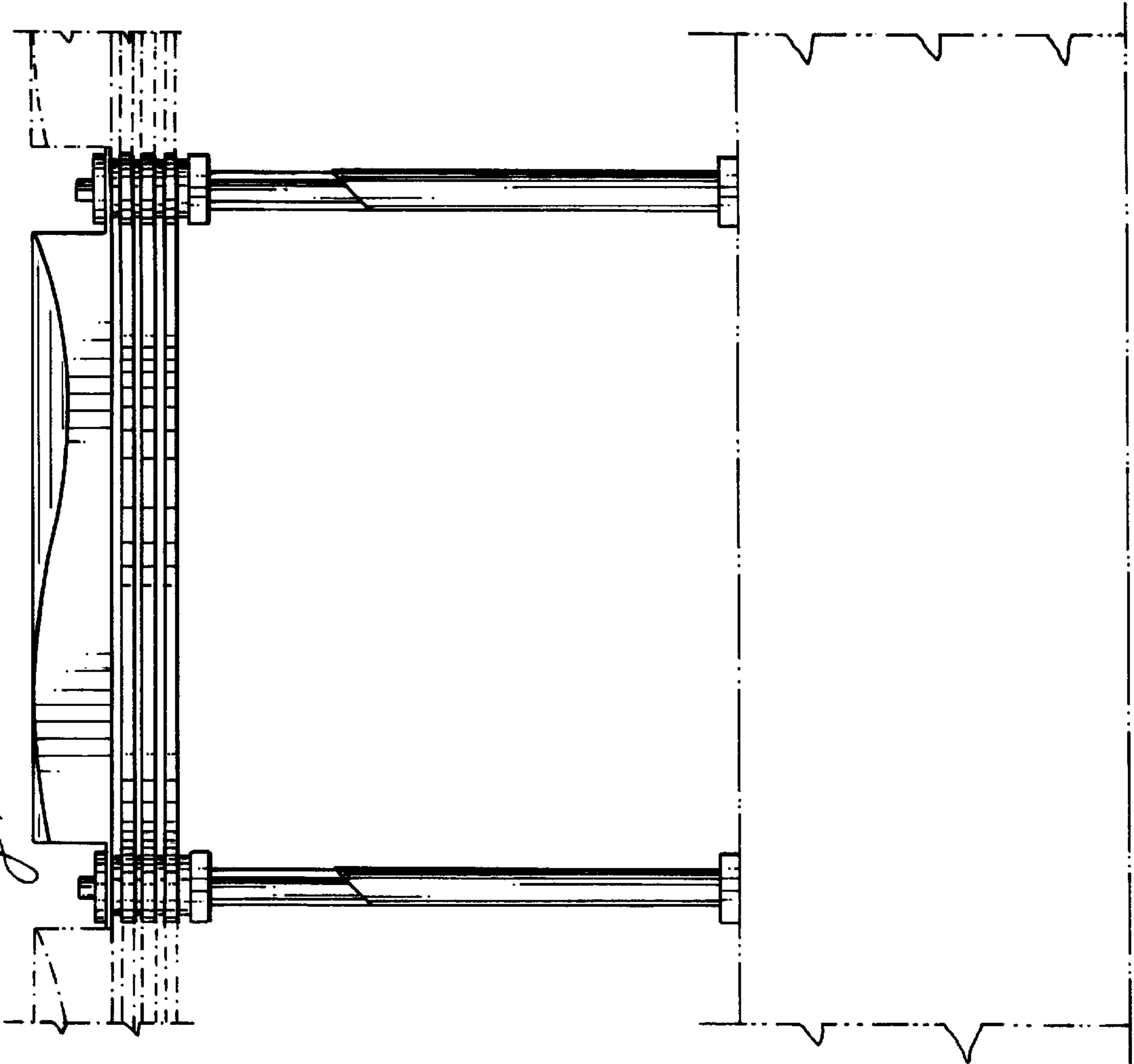


Fig. 2

