



US00D406705S

United States Patent [19]

Zaidman et al.

[11] **Patent Number: Des. 406,705**

[45] **Date of Patent: **Mar. 16, 1999**

[54] **MODULAR STORAGE UNIT**

[75] Inventors: **Paul Zaidman; Weldon Neufeld**, both of Winnipeg, Canada

[73] Assignee: **Palliser Furniture, Ltd.**, Winnipeg, Canada

[**] Term: **14 Years**

[21] Appl. No.: **67,754**

[22] Filed: **Mar. 10, 1997**

[51] **LOC (6) Cl.** **06-04**

[52] **U.S. Cl.** **D6/436**

[58] **Field of Search** D6/432-448, 422-428; 312/204, 238, 194-196

[56] **References Cited**

U.S. PATENT DOCUMENTS

D. 103,250	2/1937	Parrish	D6/428
D. 301,664	6/1989	Bush et al.	D6/436
D. 314,095	1/1991	Bush et al.	D6/436
D. 327,380	6/1992	Bush et al.	D6/436

D. 368,604	4/1996	Gotham et al.	D6/436
D. 388,634	1/1998	Mulligan et al.	D6/436

OTHER PUBLICATIONS

“Young America-Polo-Mates” by Stanley Furniture, p. 4; night stand on page, Nov. 1991.

Primary Examiner—Carmen H. Vales-Lado
Attorney, Agent, or Firm—Pollock, Vande Sande & Amernick

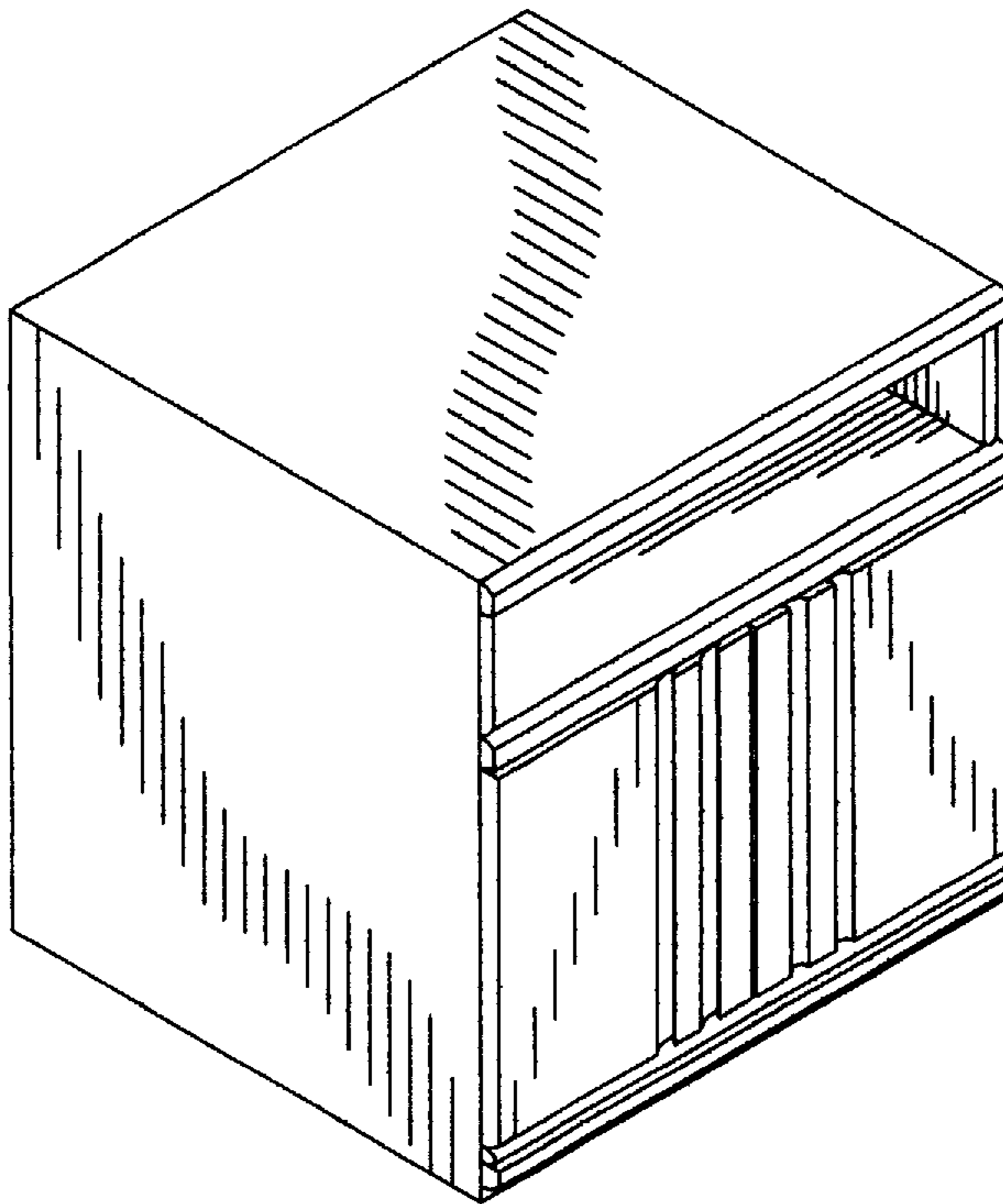
[57] **CLAIM**

The ornamental design for a modular storage unit, as shown and described.

DESCRIPTION

FIG. 1 is a top plan view of a modular storage unit showing our new design;
FIG. 2 is a top right perspective view thereof;
FIG. 3 is a front elevational view thereof; and,
FIG. 4 is a left elevational view as seen when in use.
The rear of the unit forms no part of the claimed design.

1 Claim, 1 Drawing Sheet



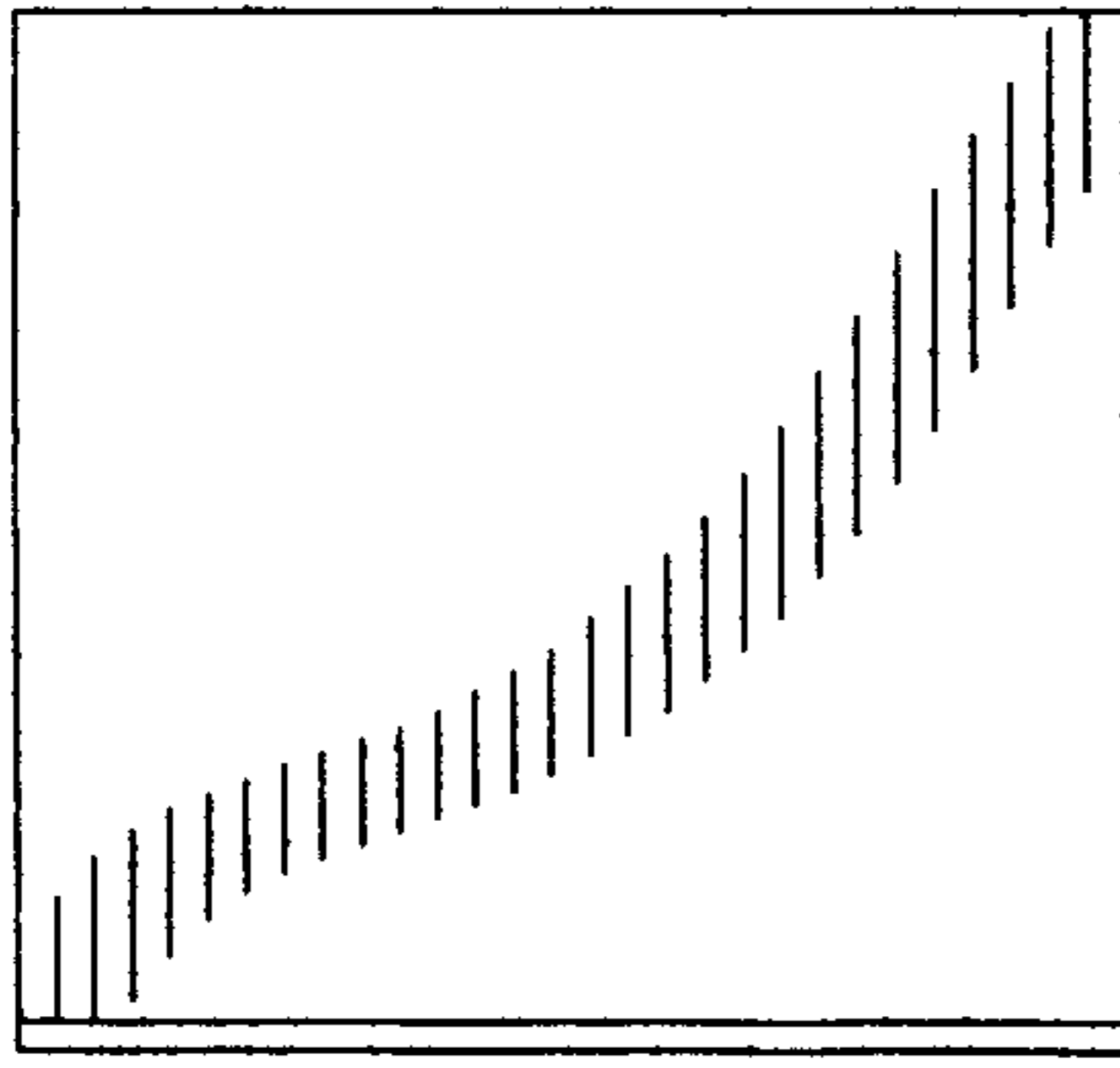


FIG. 1

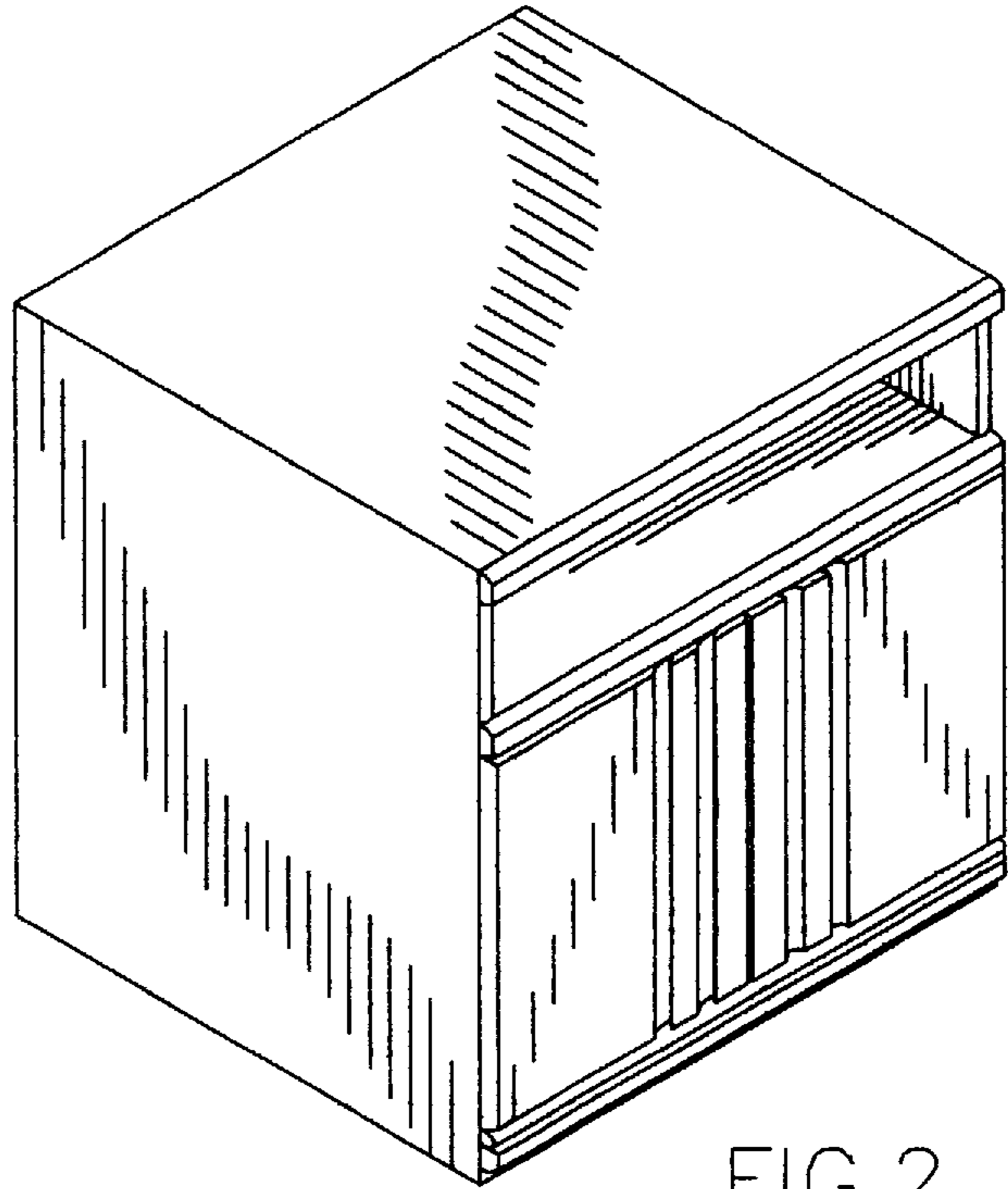


FIG. 2

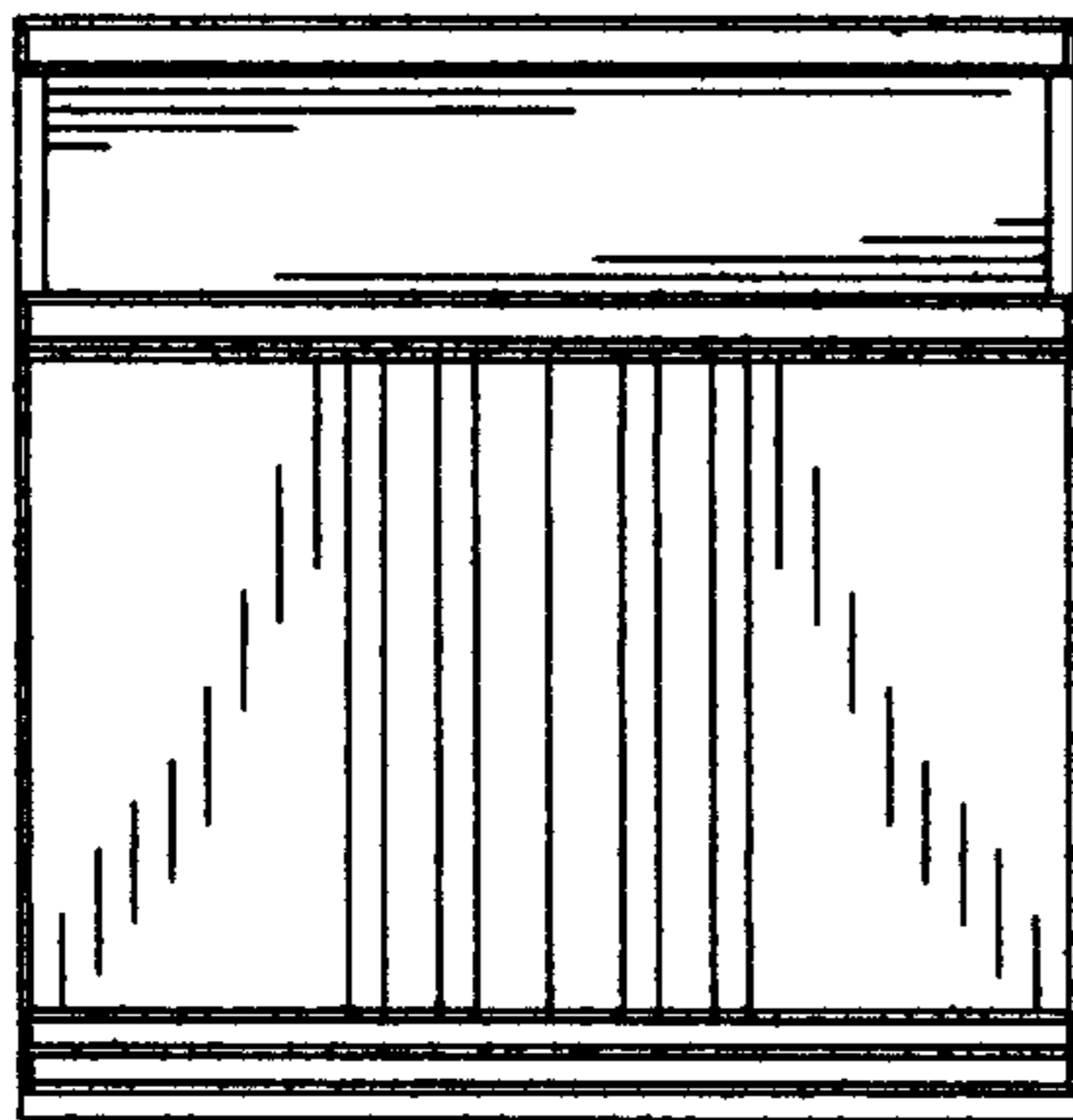


FIG. 3

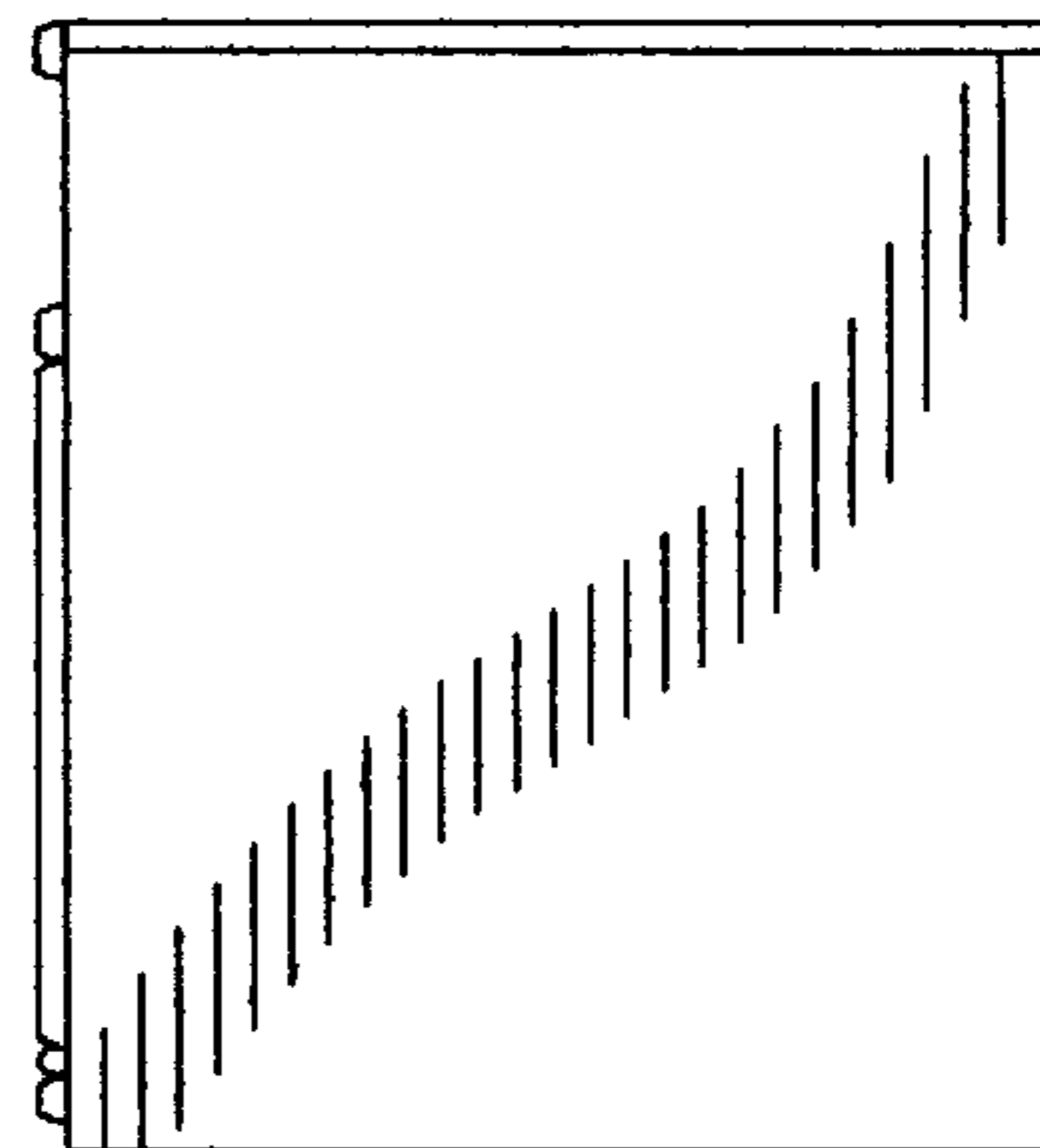


FIG. 4