



US00D406703S

**United States Patent** [19]  
**Cole, Sr.**

[11] **Patent Number: Des. 406,703**

[45] **Date of Patent: \*\*Mar. 16, 1999**

[54] **CD HOLDER WITH STAGGERED SHOULDERS**

[76] Inventor: **J. R. Cole, Sr.**, 435 Minuet La.,  
Charlotte, N.C. 28217

[\*\*] Term: **14 Years**

[21] Appl. No.: **76,615**

[22] Filed: **Sep. 24, 1997**

[51] **LOC (6) Cl.** ..... **06-04**

[52] **U.S. Cl.** ..... **D6/407**

[58] **Field of Search** ..... D3/201, 301, 245,  
D3/289; D6/407, 631, 632, 633, 634; 206/308.1,  
309, 310, 311, 312

[56] **References Cited**

**U.S. PATENT DOCUMENTS**

D. 351,963	11/1994	Lim	.....	D6/631
5,529,182	6/1996	Anderson et al.	.....	206/308.1
5,593,030	1/1997	Tell	.....	206/308.1
5,653,335	8/1997	Bauer et al.	.....	206/308.1
5,769,217	6/1998	Derraugh et al.	.....	206/308.1

*Primary Examiner*—Doris V. Coles  
*Assistant Examiner*—Catherine R. Oliver  
*Attorney, Agent, or Firm*—Kennedy, Covington, Lobdell & Hickman LLP

[57] **CLAIM**

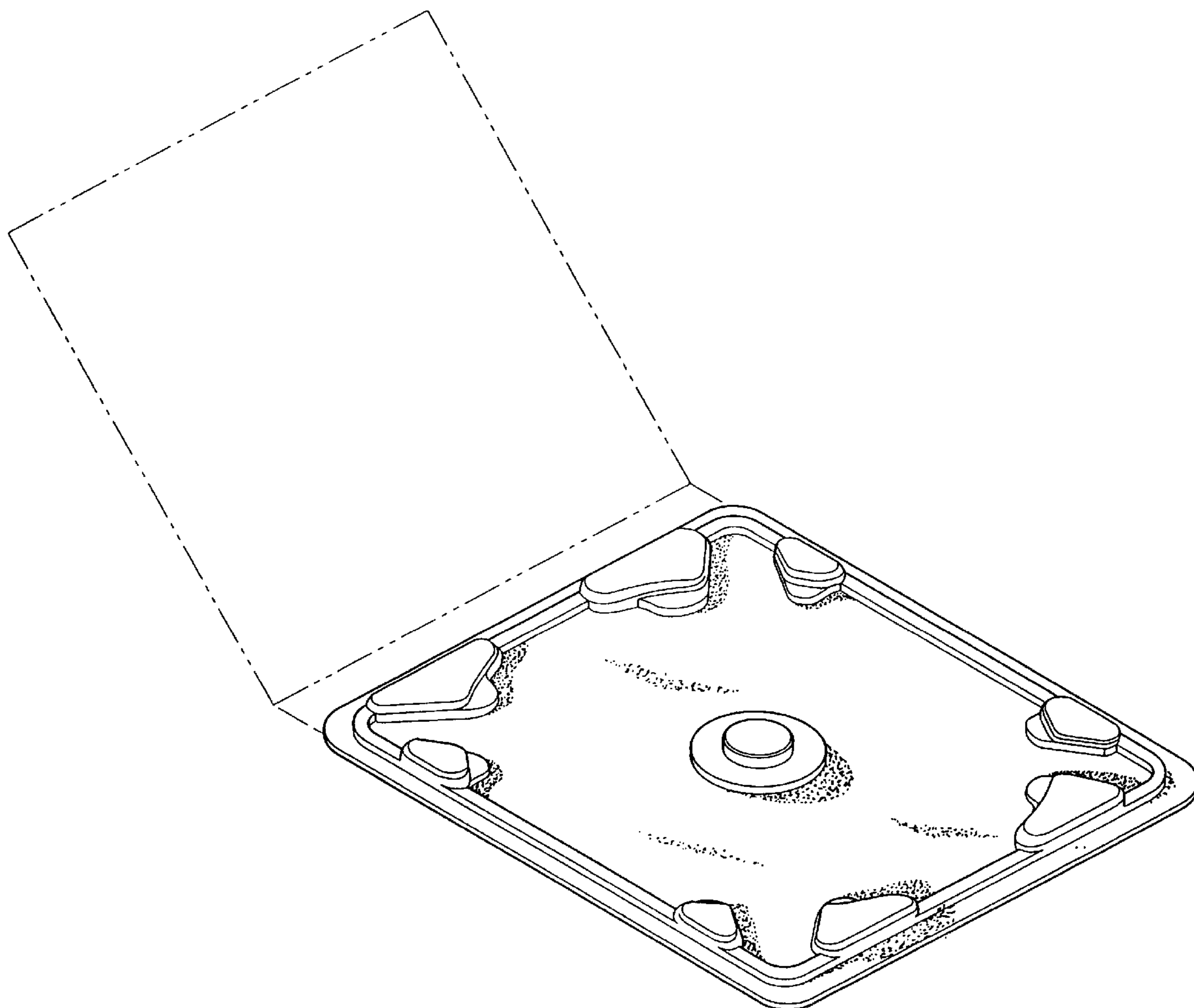
The ornamental design for CD holder with staggered shoulders, as shown and described.

**DESCRIPTION**

FIG. 1 is a perspective view of a CD holder with staggered shoulders showing my new design;  
FIG. 2 is a top plan view thereof;  
FIG. 3 is a left side view, with the right side view being a mirror image thereof; and,  
FIG. 4 is a front view, with the rear view being a mirror image thereof.

The bottom is plain and unornamented.  
The broken line showing of environment in FIG. 1 is for illustrative purposes only and forms no part of the claimed design.

**1 Claim, 2 Drawing Sheets**



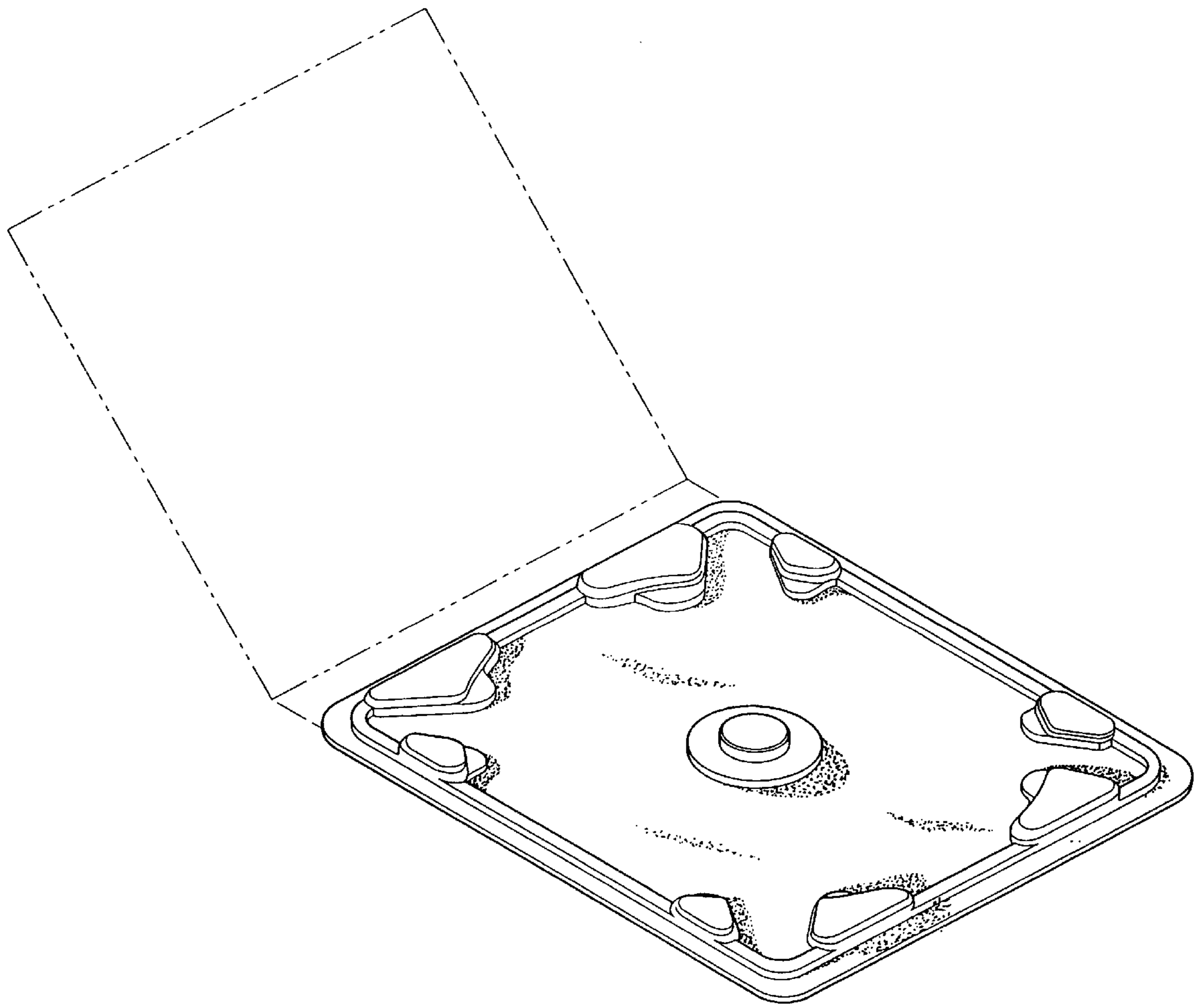


Fig. 1

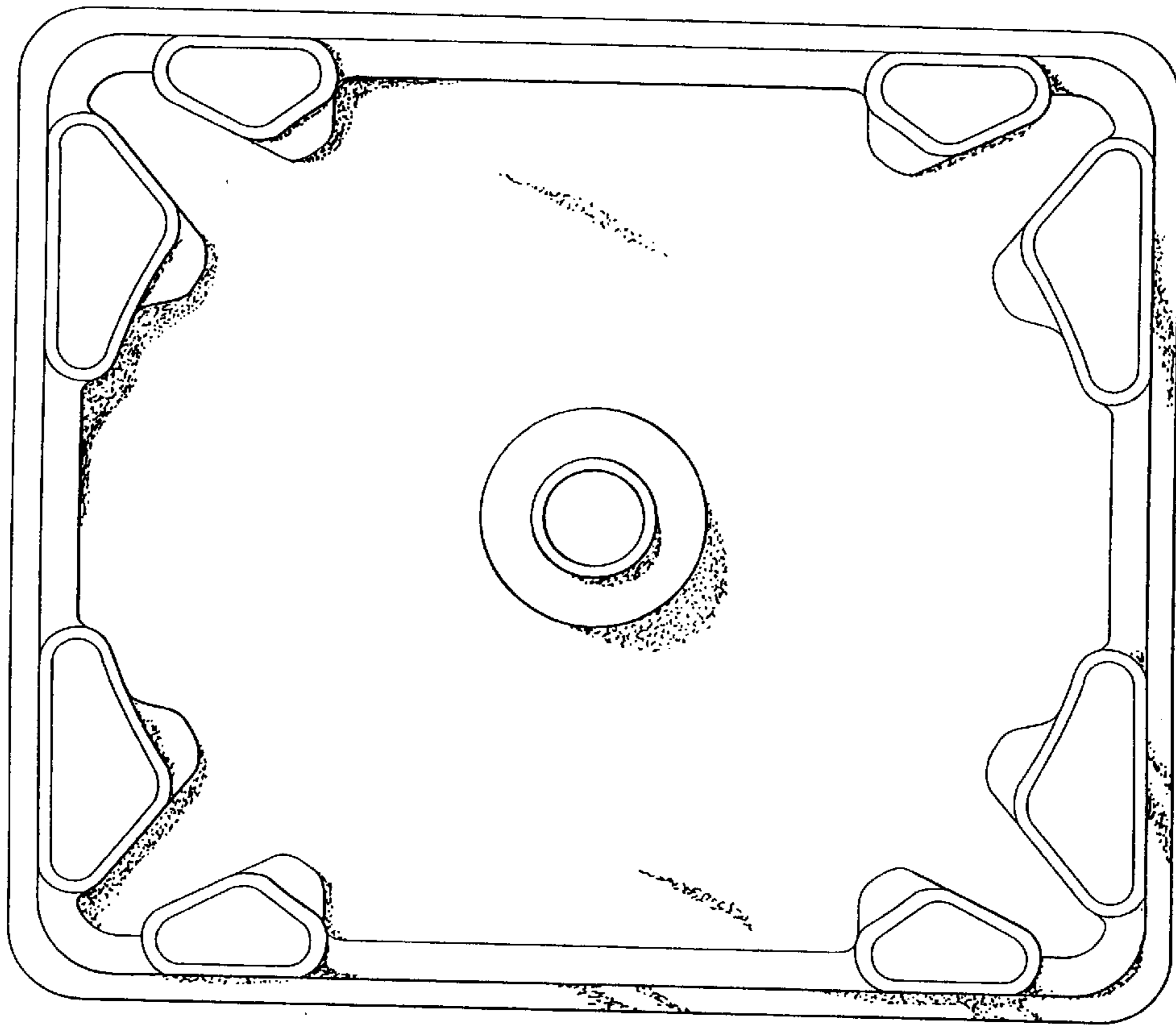


Fig. 2

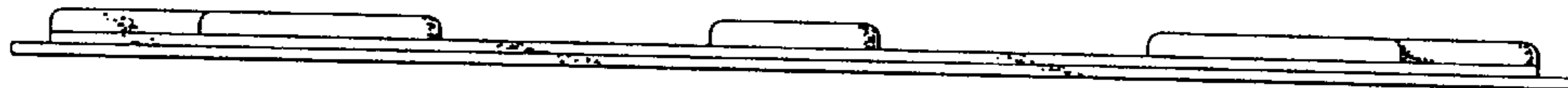


Fig. 3

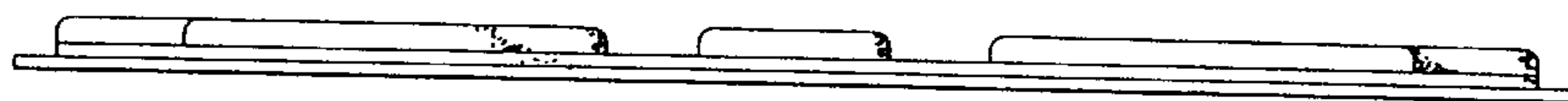


Fig. 4