



US00D406701S

# United States Patent [19] Slear

[11] Patent Number: **Des. 406,701**

[45] Date of Patent: **\*\*Mar. 16, 1999**

[54] **SITE FURNITURE**

[76] Inventor: **Carl A. Slear**, 788 Mercer Rd., Butler, Pa. 16001

[\*\*] Term: **14 Years**

[21] Appl. No.: **82,200**

[22] Filed: **Jan. 16, 1998**

[51] **LOC (6) Cl.** ..... **06-01**

[52] **U.S. Cl.** ..... **D6/376; D6/370; D6/381**

[58] **Field of Search** ..... D6/334, 358, 370, D6/371, 373, 374, 376, 379, 380, 381, 500, 501, 502; 297/232, 445.1, 446.1, 452.63

[56] **References Cited**

**U.S. PATENT DOCUMENTS**

D. 80,891	4/1930	Hauser	.....	D6/358
D. 369,922	5/1996	Kirn et al.	.....	D6/381
D. 376,271	12/1996	Skalka	.....	D6/370
D. 383,615	9/1997	Skalka	.....	D6/370
D. 386,012	11/1997	Skalka	.....	D6/370

**OTHER PUBLICATIONS**

Schöner Wohnen, p. 92, chair at bottom right, Sep. 1988.  
*Primary Examiner*—Gary D. Watson  
*Attorney, Agent, or Firm*—Webb Ziesenheim Bruening Logsdon Orkin & Hanson, P.C.

[57] **CLAIM**

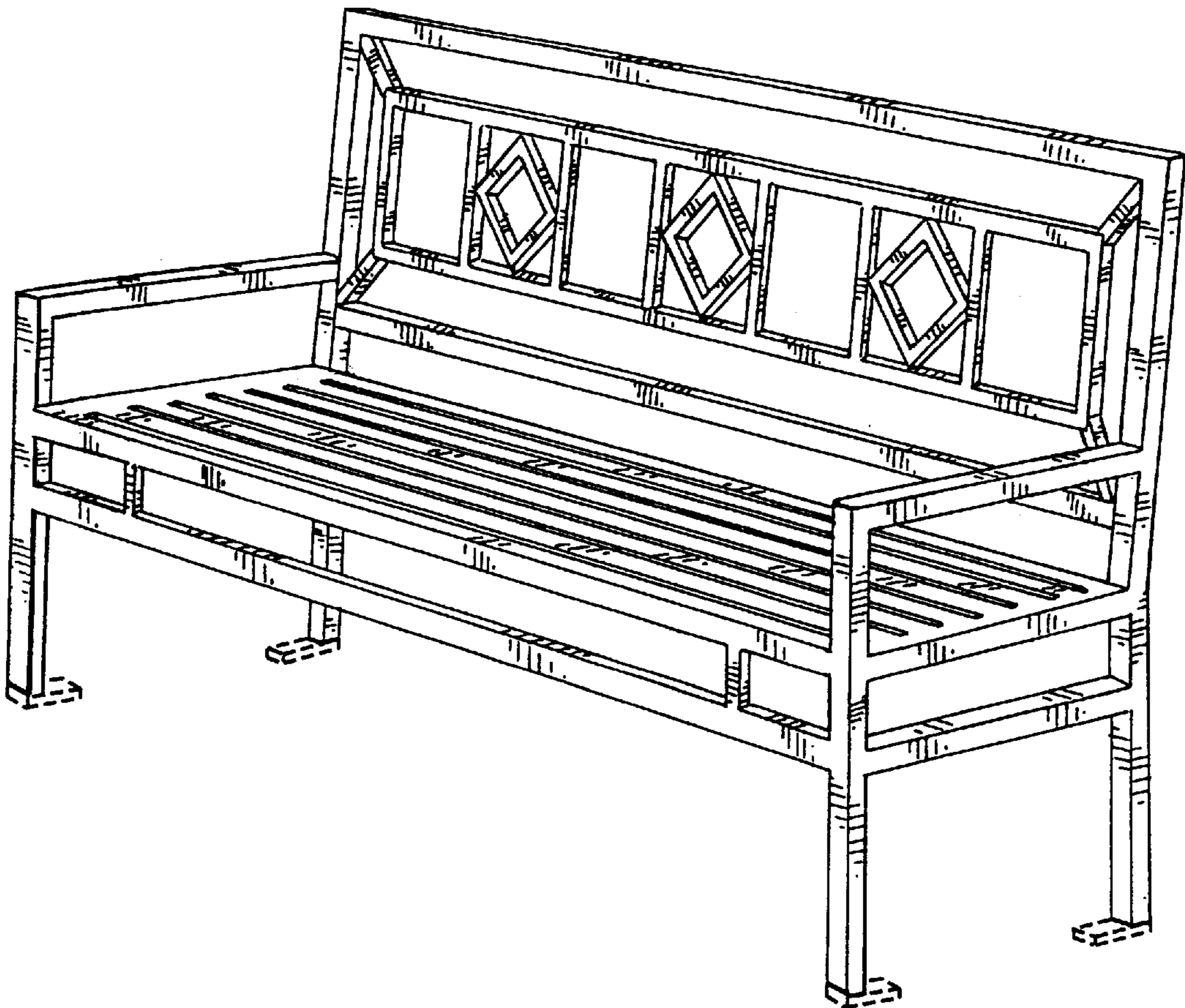
The ornamental design for site furniture, as shown and described.

**DESCRIPTION**

FIG. 1 is a perspective view of site furniture in the form of a bench showing my new design;  
FIG. 2 is a front elevation view thereof;  
FIG. 3 is a rear elevation view thereof;  
FIG. 4 is a top plan view thereof;  
FIG. 5 is a bottom plan view thereof;  
FIG. 6 is a right side elevation view thereof; and,  
FIG. 7 is a left side elevation view thereof.

The broken lines shown in FIGS. 1, 2, 3, 5, 6 and 7 are for illustrative purposes only and form no part of the claimed design.

**1 Claim, 3 Drawing Sheets**



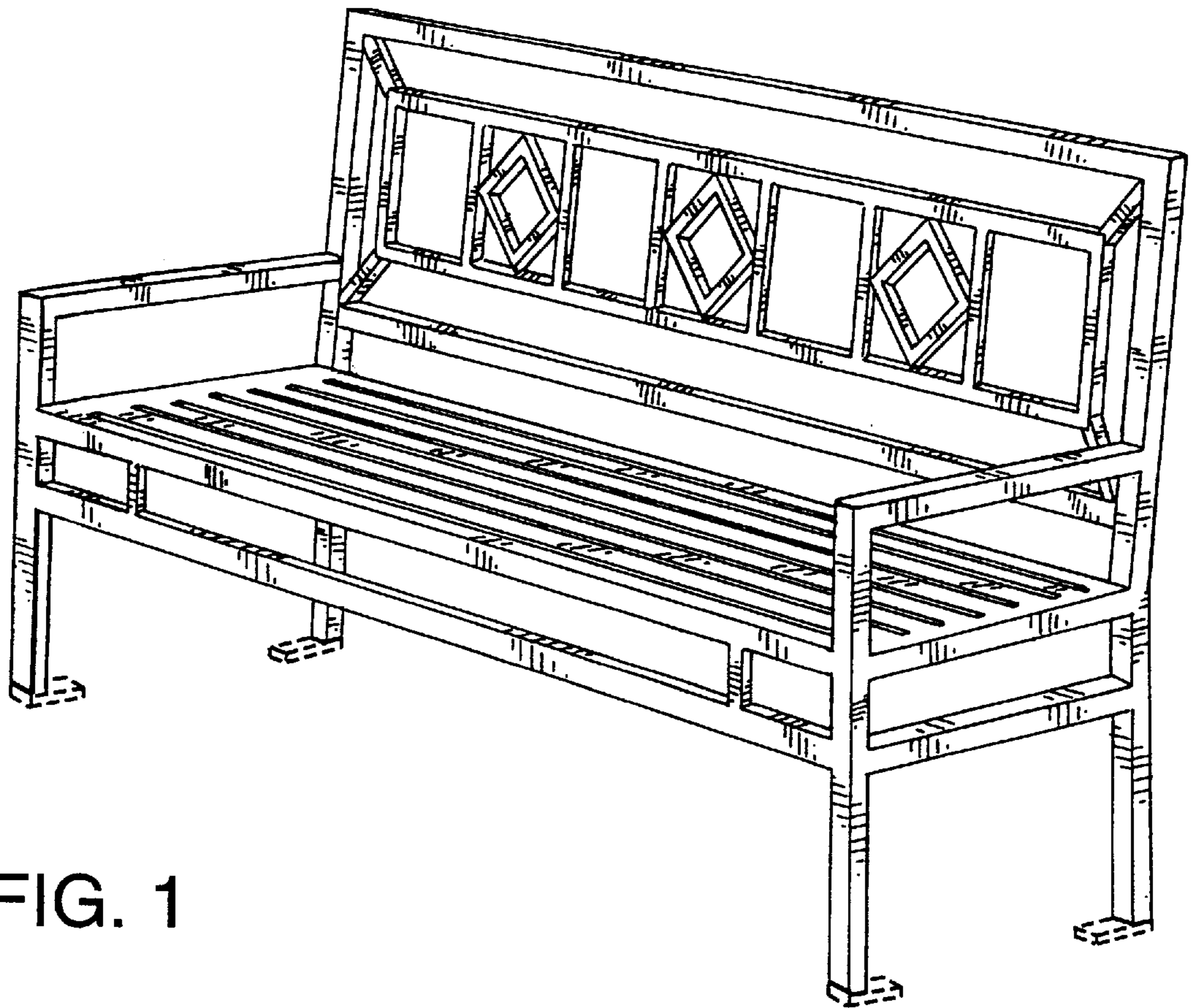


FIG. 1

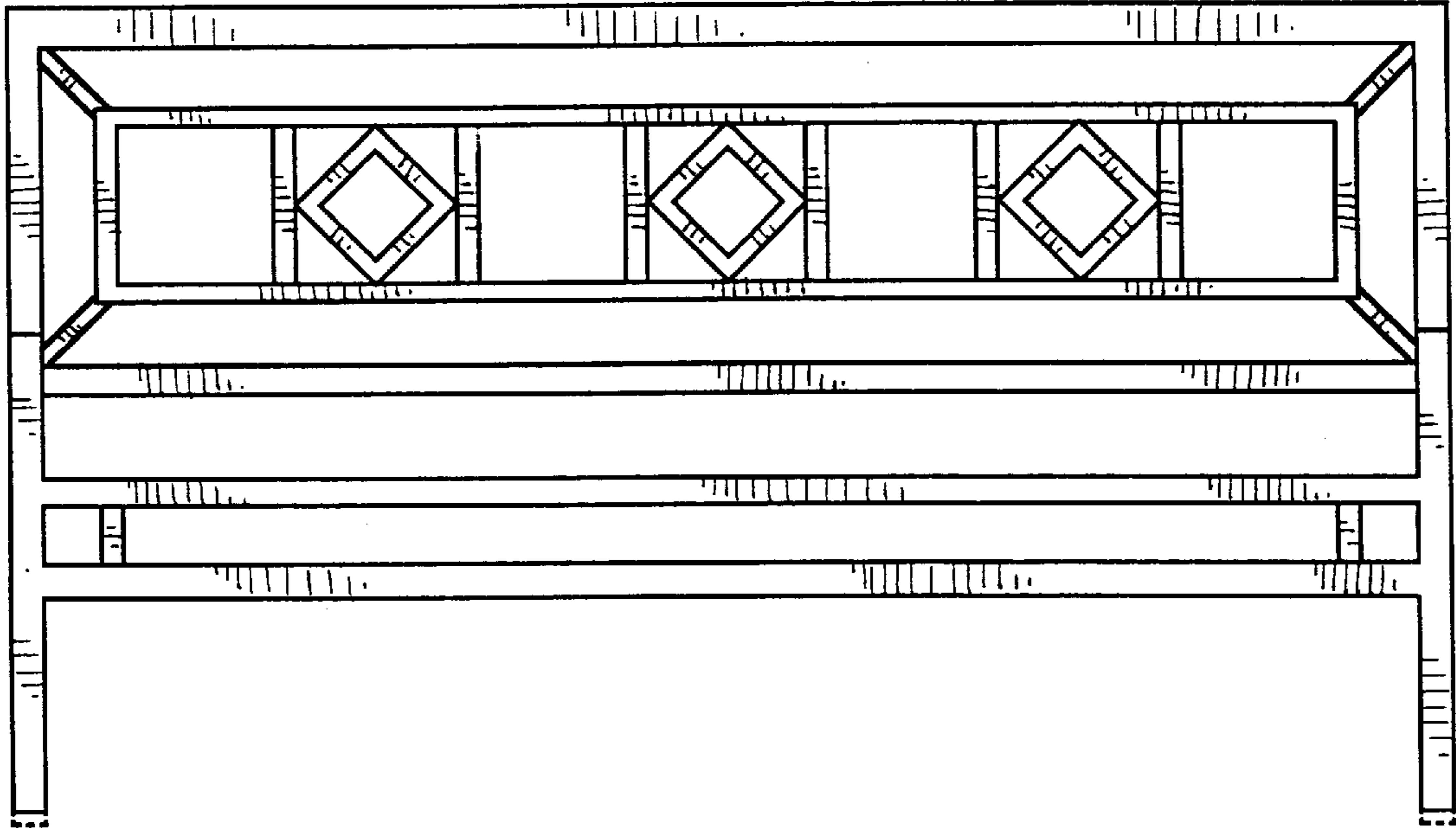


FIG. 2

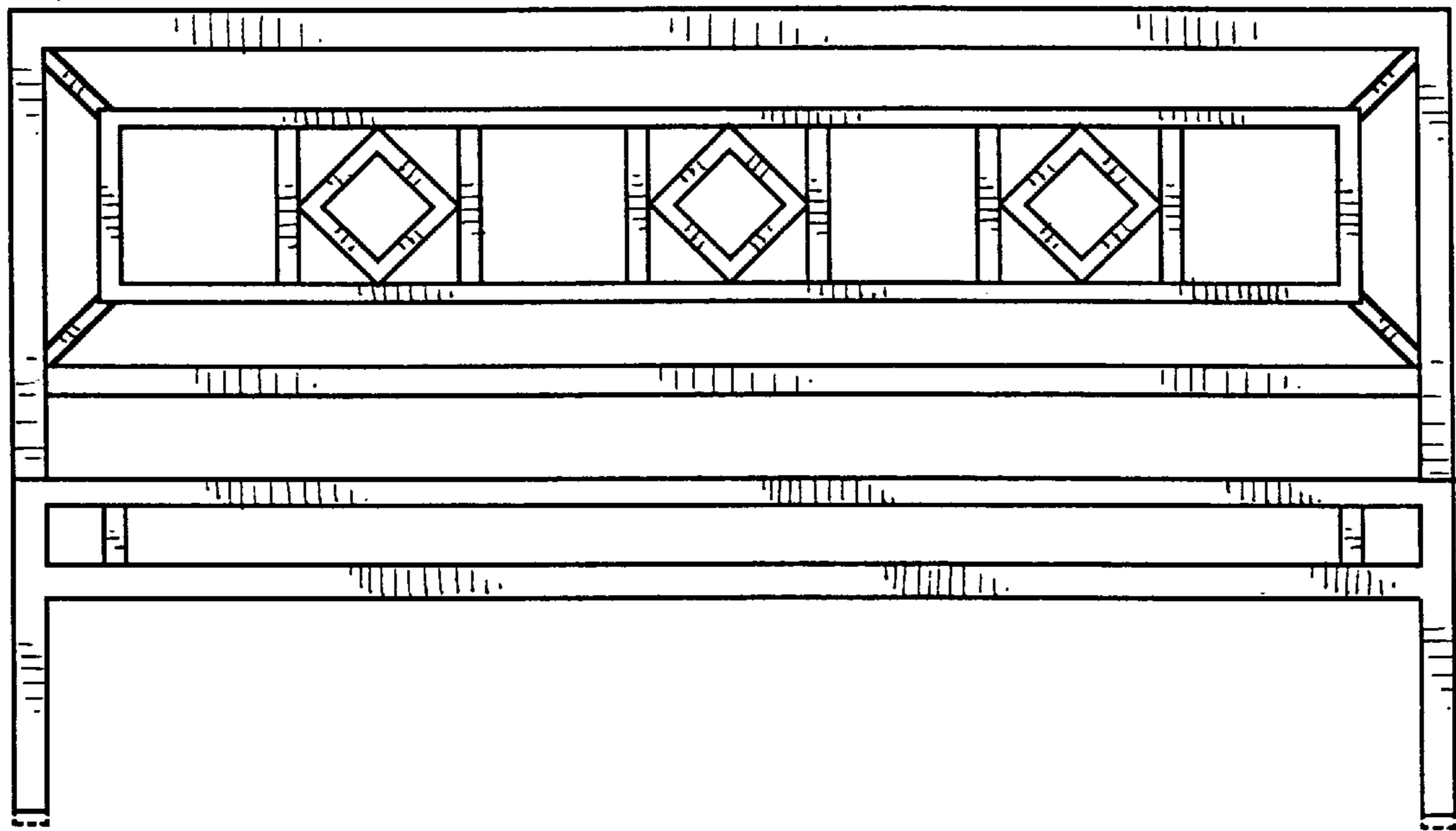


FIG. 3

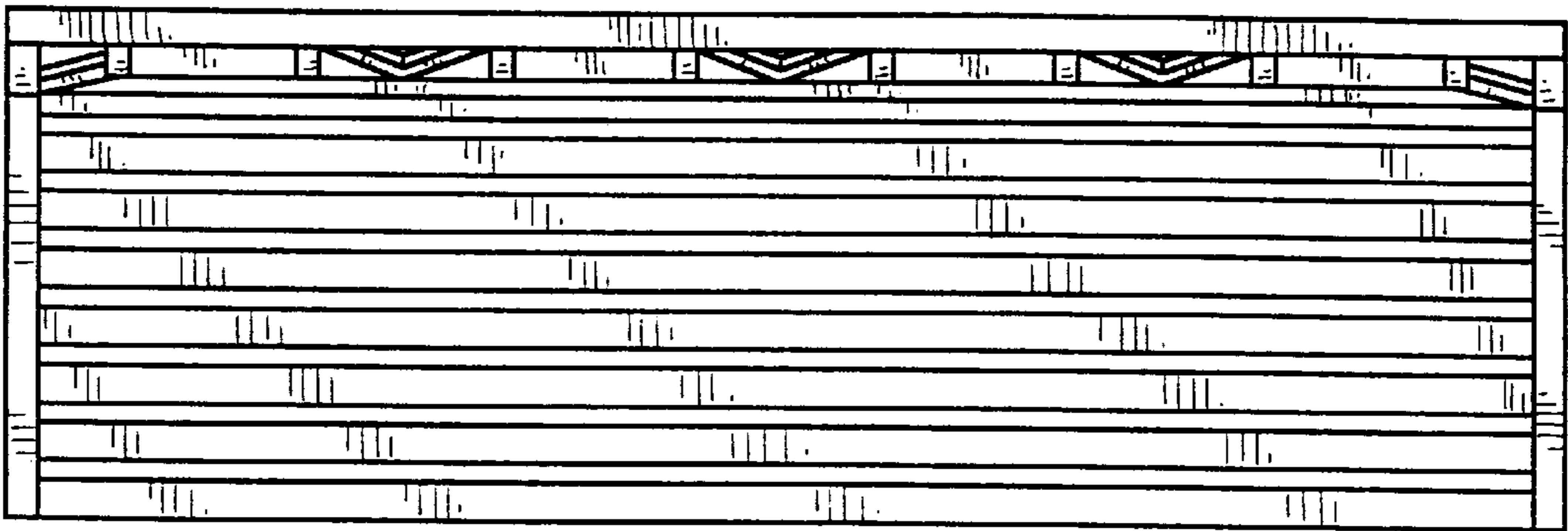


FIG. 4

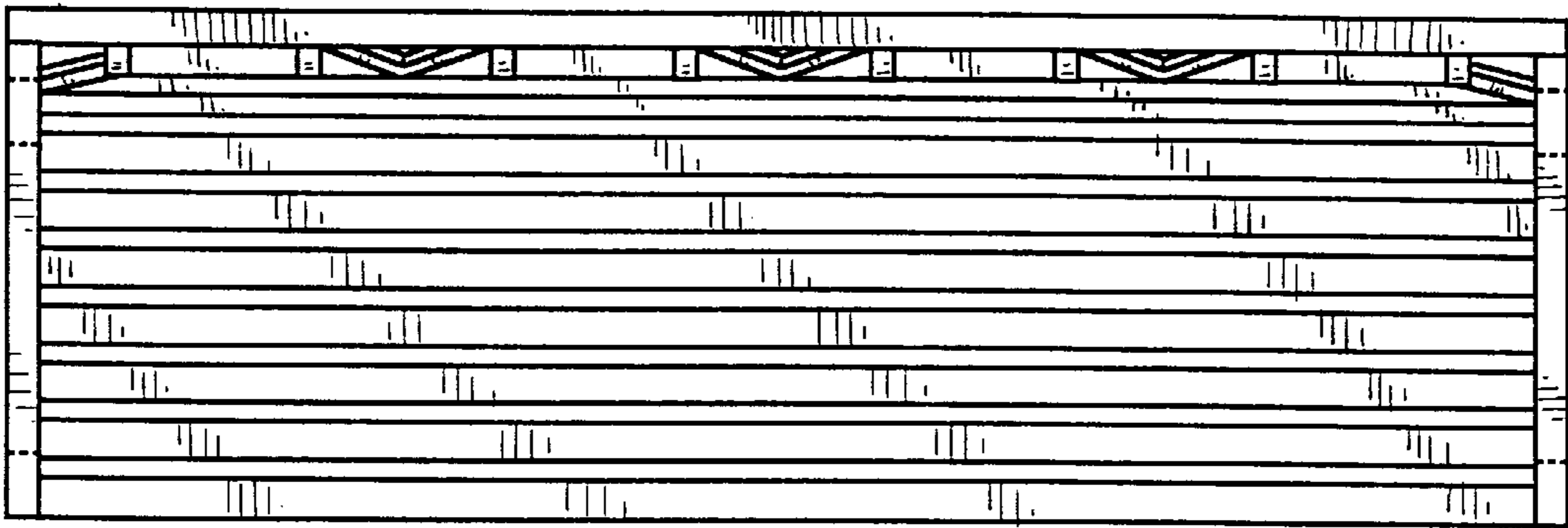


FIG. 5

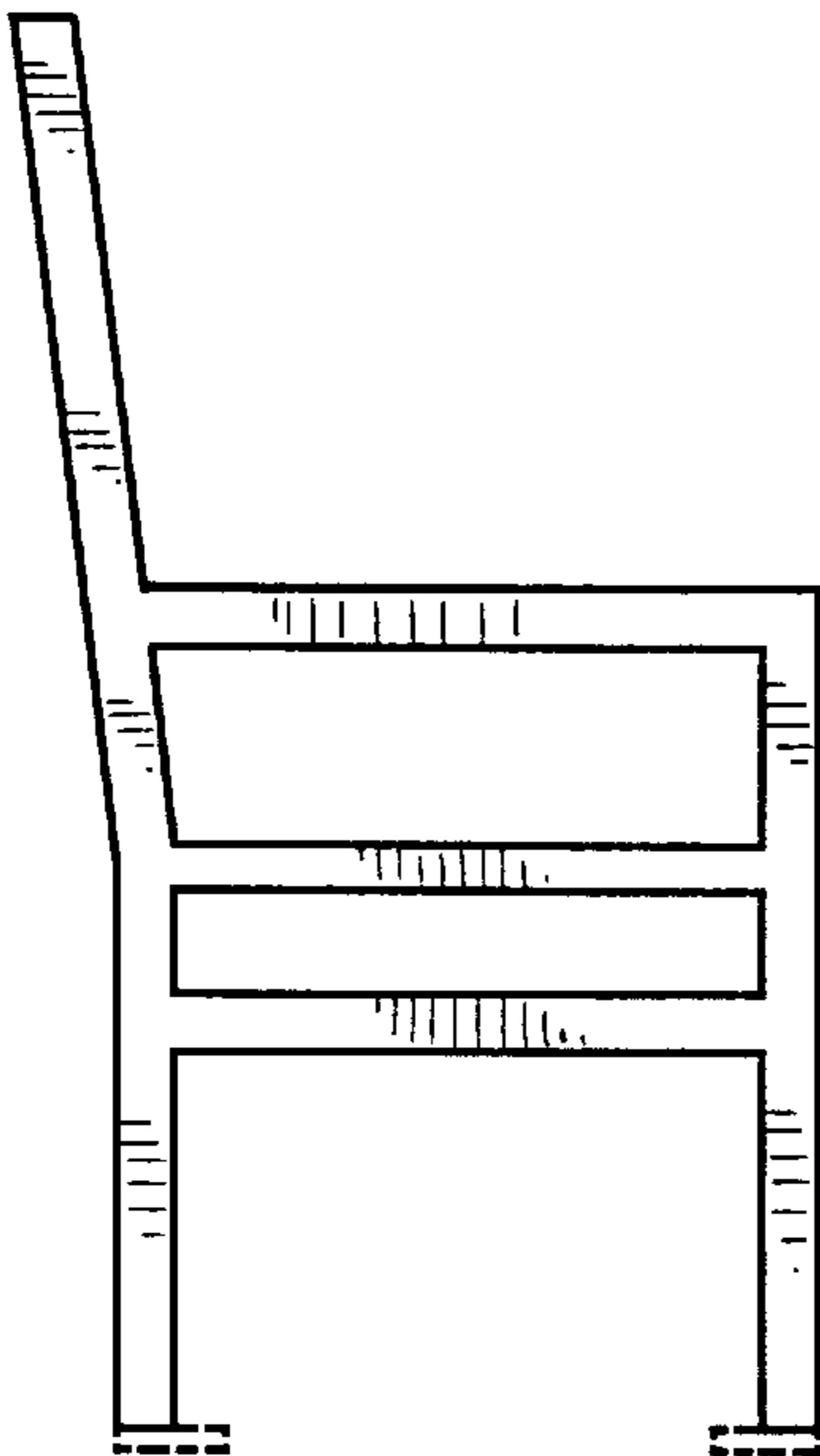


FIG. 6

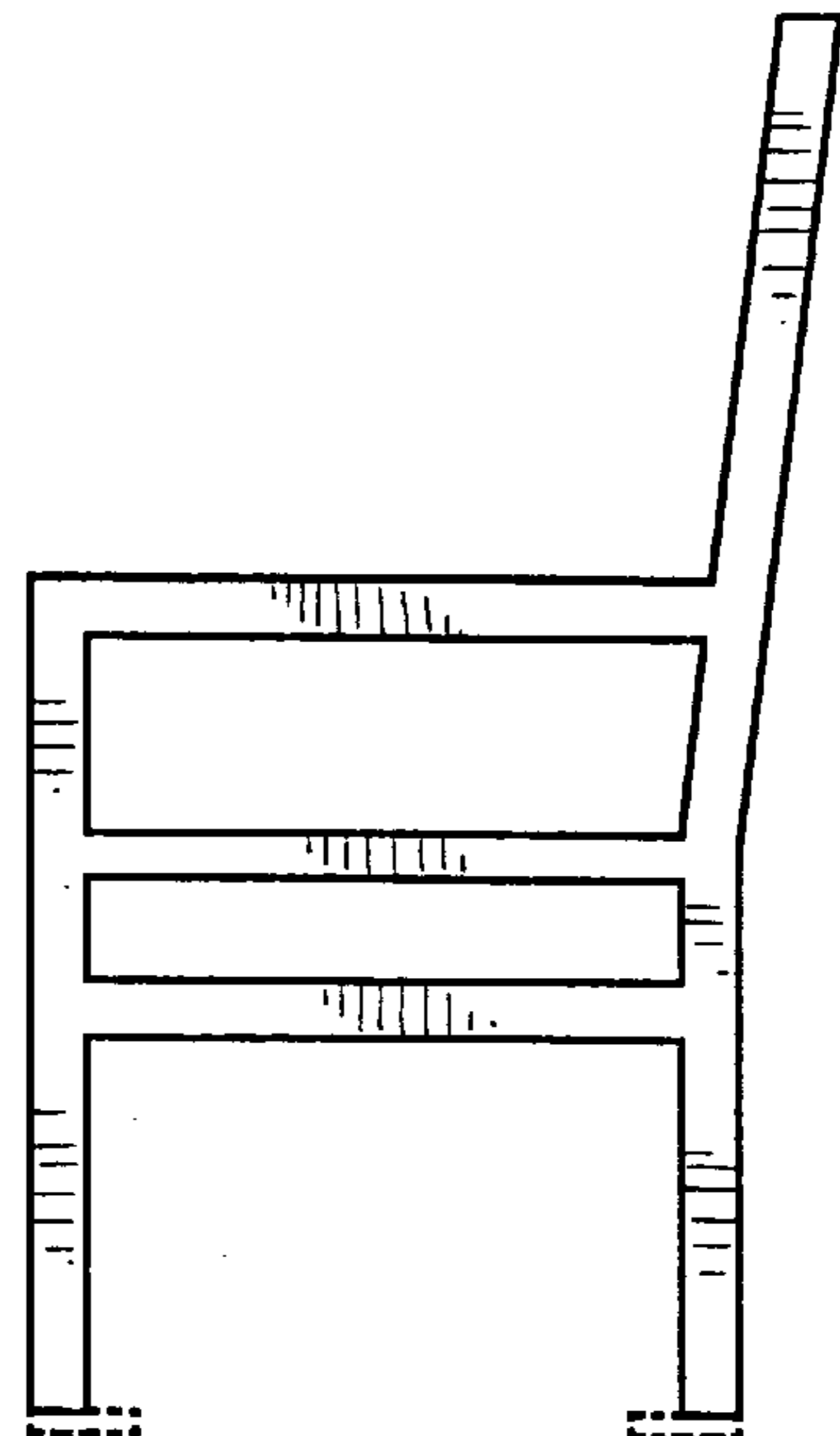


FIG. 7