



US00D406698S

United States Patent [19] Miller

[11] Patent Number: **Des. 406,698**

[45] Date of Patent: ****Mar. 16, 1999**

[54] **HANG-UP BOX**

[75] Inventor: **D. Scott Miller**, Orlando, Fla.

[73] Assignee: **Dart Industries Inc.**, Orlando, Fla.

[**] Term: **14 Years**

[21] Appl. No.: **63,971**

[22] Filed: **Dec. 19, 1996**

[51] **LOC (6) Cl.** **03-01**

[52] **U.S. Cl.** **D3/307; D7/304**

[58] **Field of Search** D3/313, 310, 311,
D3/304, 306, 307, 312, 314, 315, 308;
D7/550, 543, 601; 220/501, 507, 555, 553;
206/315.1, 370, 439, 503, 505

[56] **References Cited**

U.S. PATENT DOCUMENTS

D. 102,671	1/1937	Worthington	D3/307
D. 275,918	10/1984	Taylor	D3/304 X
D. 282,883	3/1986	Kiiski	D3/304
D. 310,748	9/1990	Embree et al.	D3/304
D. 340,617	10/1993	Douglas	D7/543
D. 386,336	11/1997	Douglas	D3/304 X
1,351,285	8/1920	Chess	.	
2,281,690	5/1942	Hedlund	.	
2,633,323	3/1953	Burger	.	

3,129,042 4/1964 Liener-Kunde .

3,220,625 11/1965 Protheroe .

4,632,472 12/1986 Brass .

Primary Examiner—M. N. Pandozzi
Attorney, Agent, or Firm—John A. Doninger

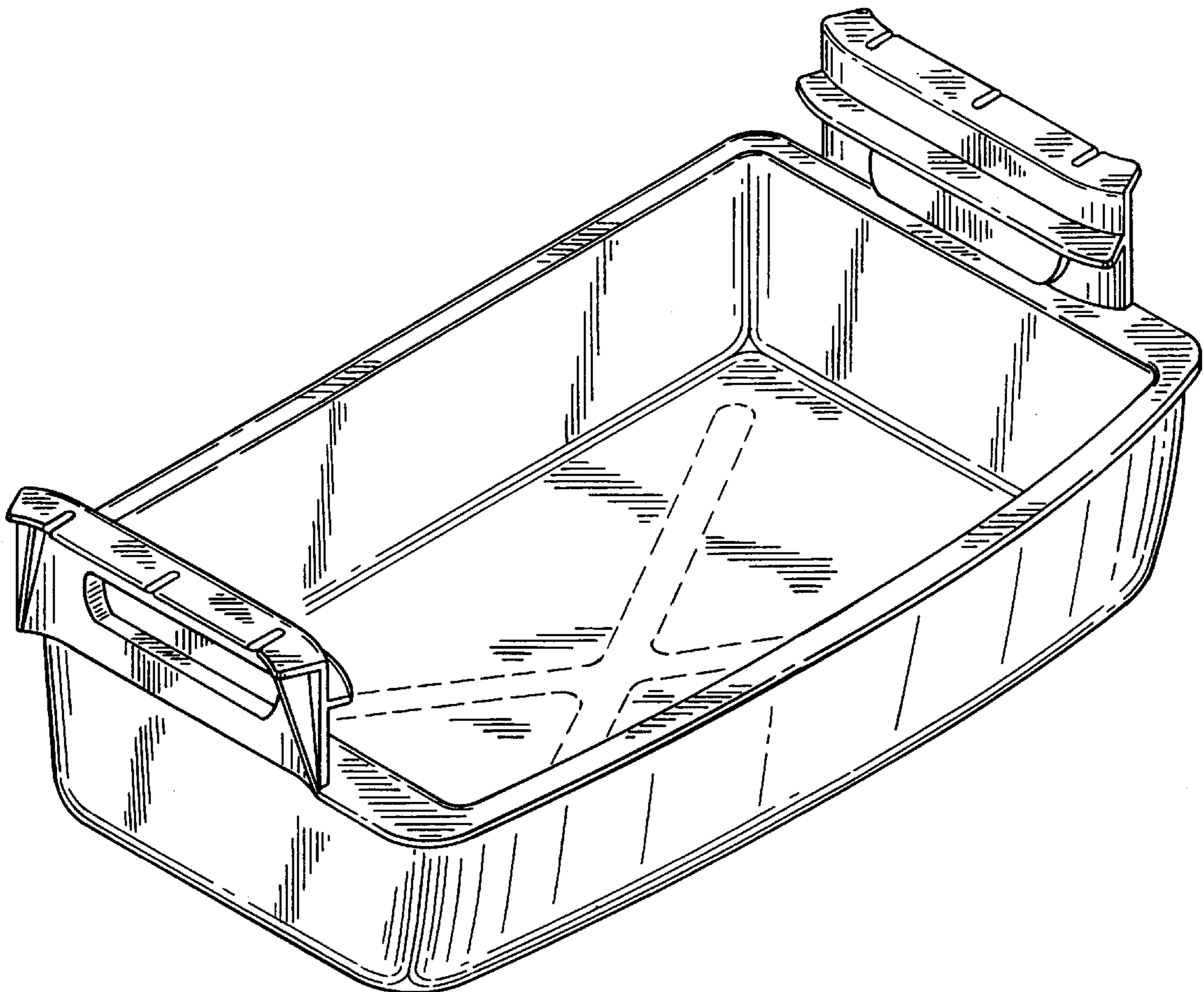
[57] **CLAIM**

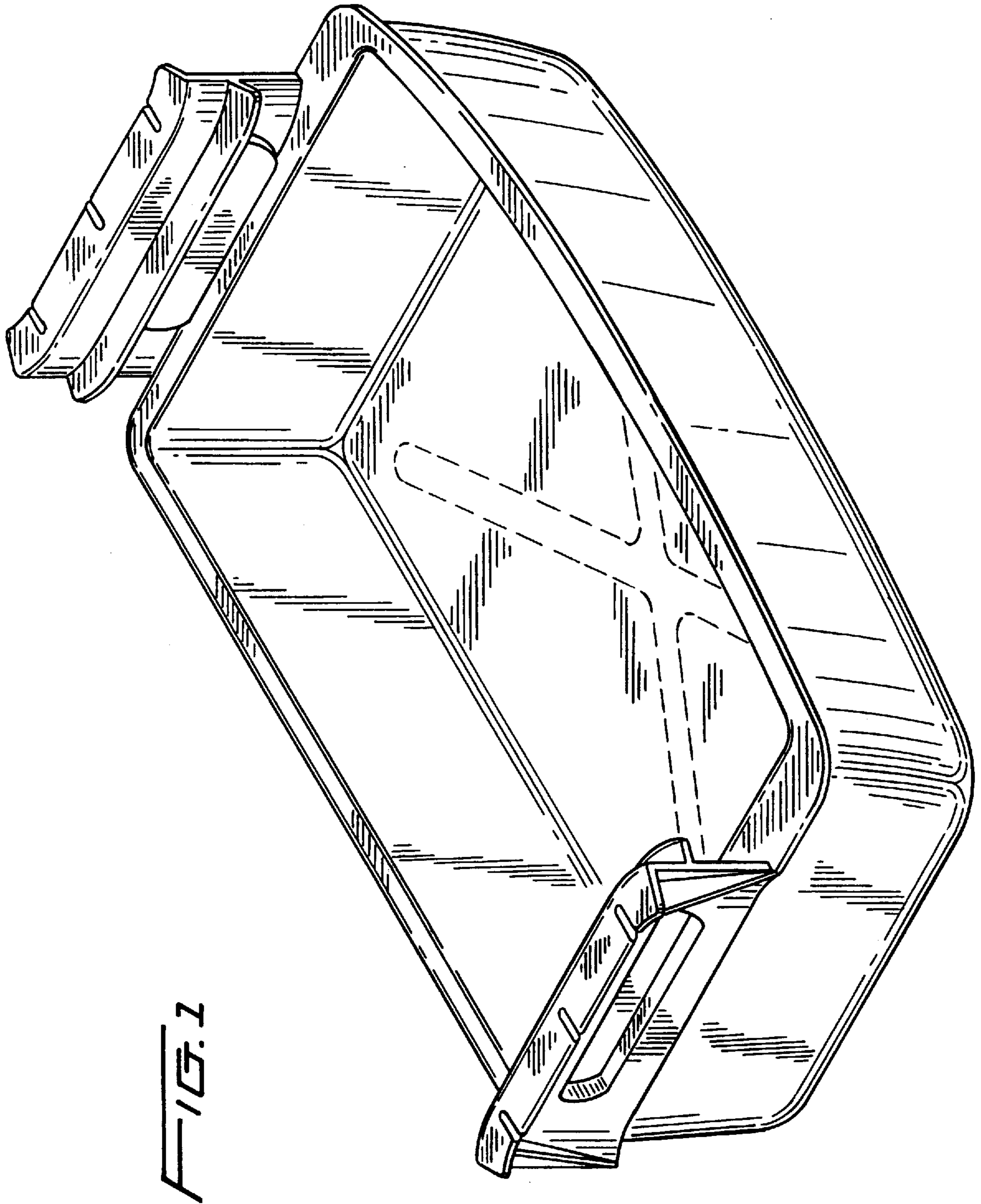
The ornamental design for a hang-up box, as shown and described.

DESCRIPTION

FIG. 1 is top, front and end perspective view of a hang-up box showing my new design;
FIG. 2 is an exploded perspective view thereof;
FIG. 3 is a top plan view thereof;
FIG. 4 is a bottom plan view thereof;
FIG. 5 is a front elevation view thereof;
FIG. 6 is a rear elevation view thereof;
FIG. 7 is a right side view thereof;
FIG. 8 is a left side view thereof;
FIG. 9 is a cross-section view thereof taken on a plane passing along line 9—9 in FIG. 3; and,
FIG. 10 is a cross-section view thereof taken on a plane passing along line 10—10 in FIG. 3.
The broken line showing in FIGS. 1—10 is for illustrative purposes only and forms no part of the claimed design.

1 Claim, 5 Drawing Sheets





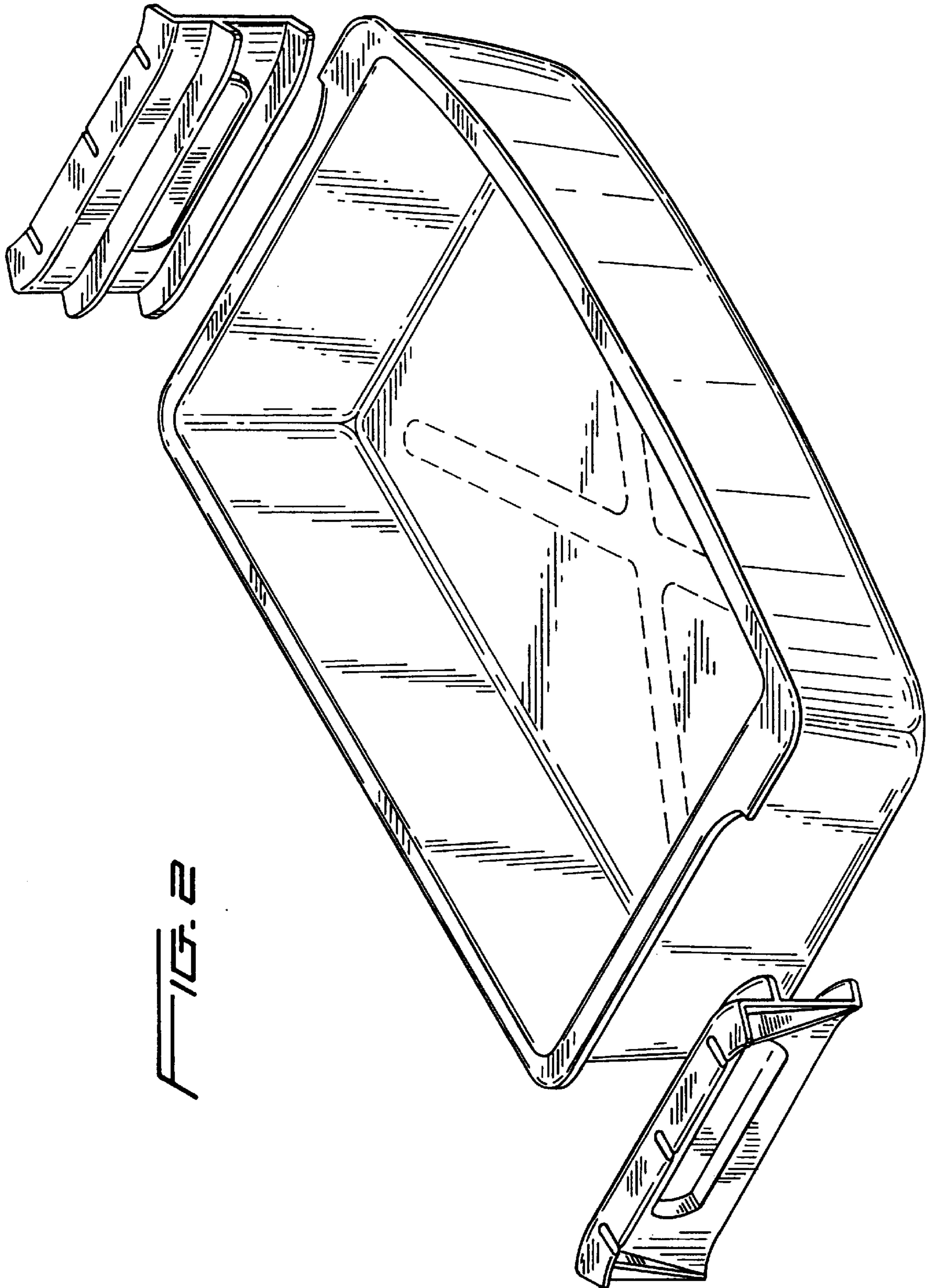


FIG. 2

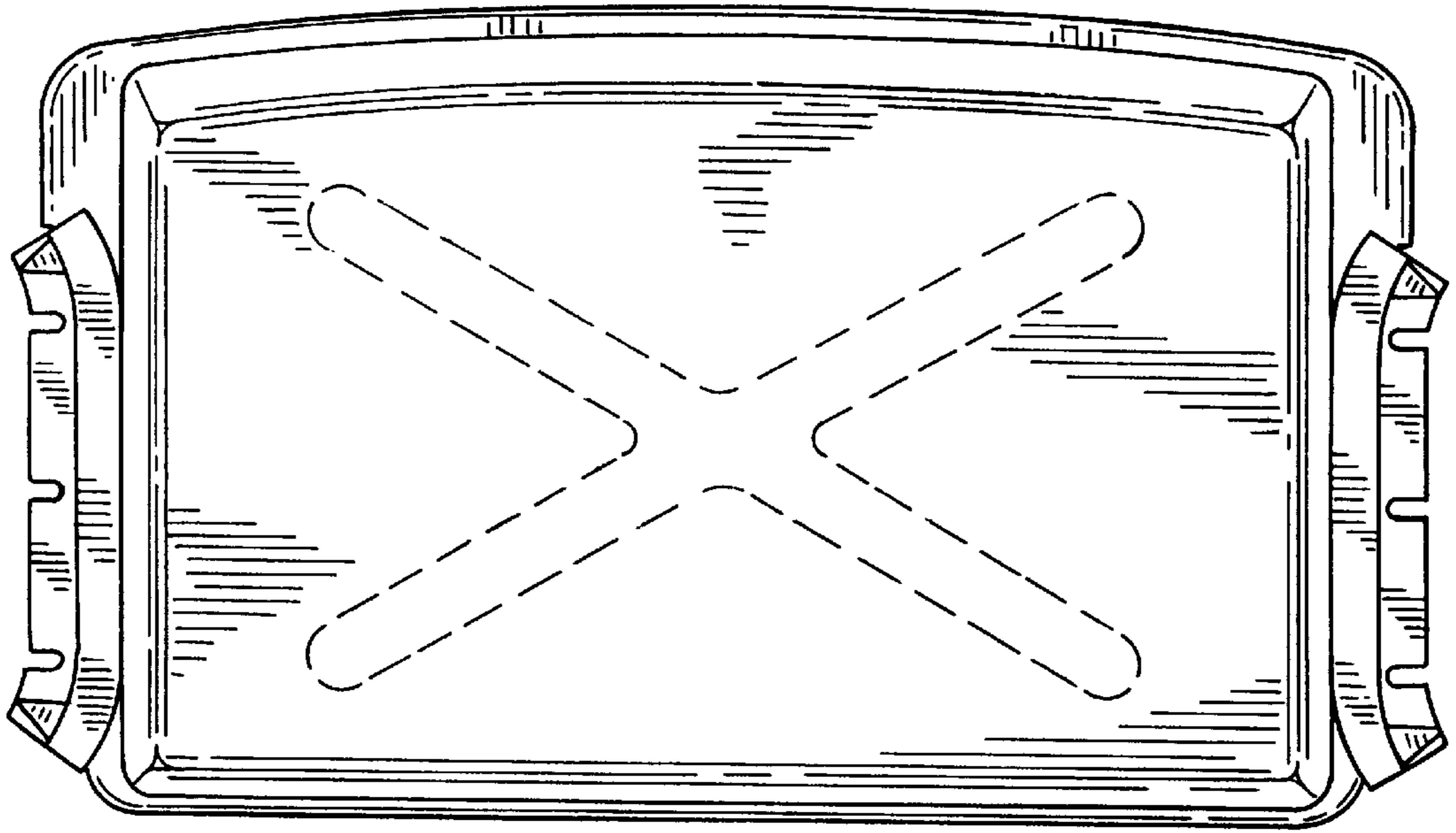
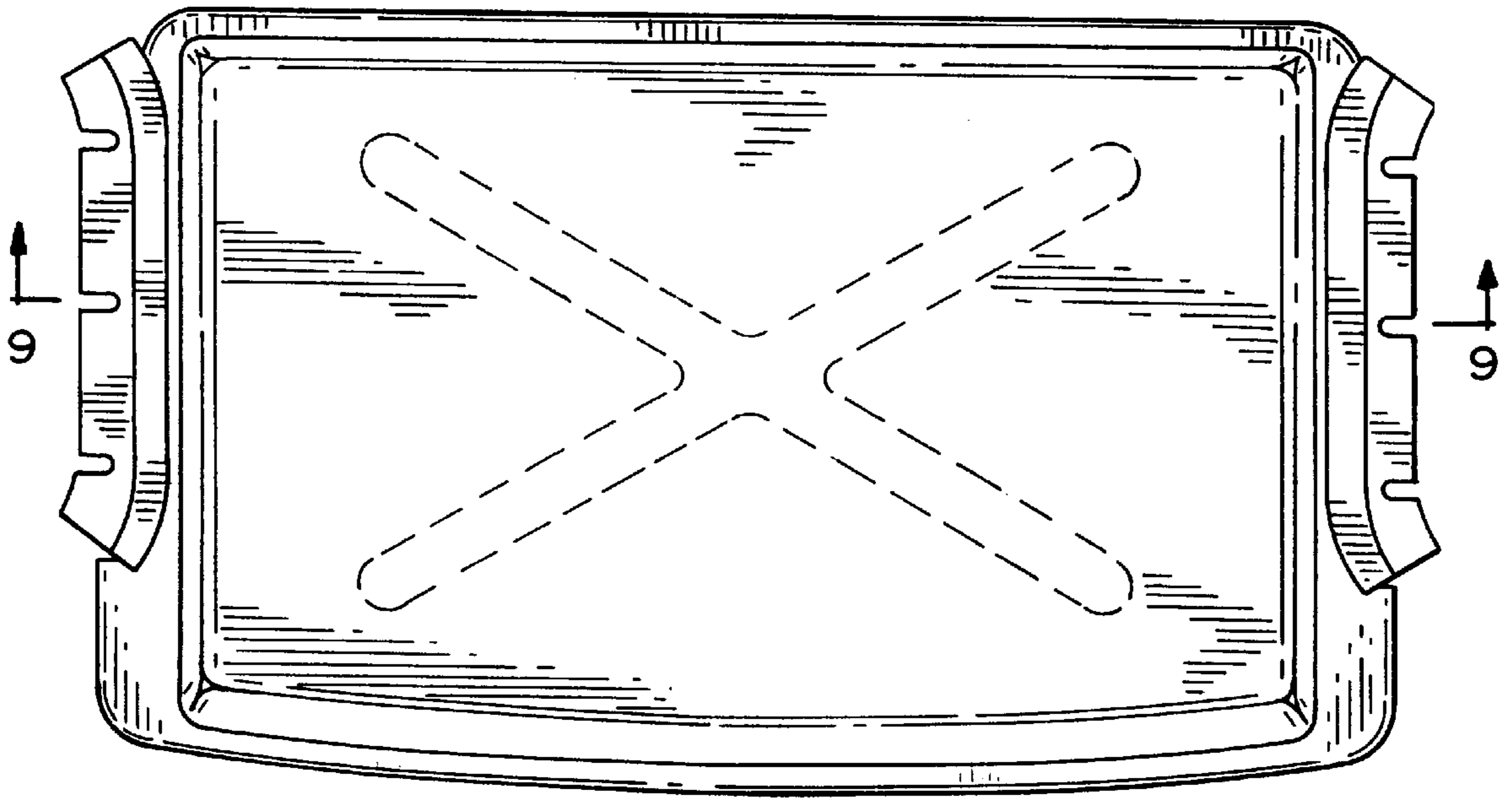


FIG. 4

FIG. 3

10 ←



10 ←

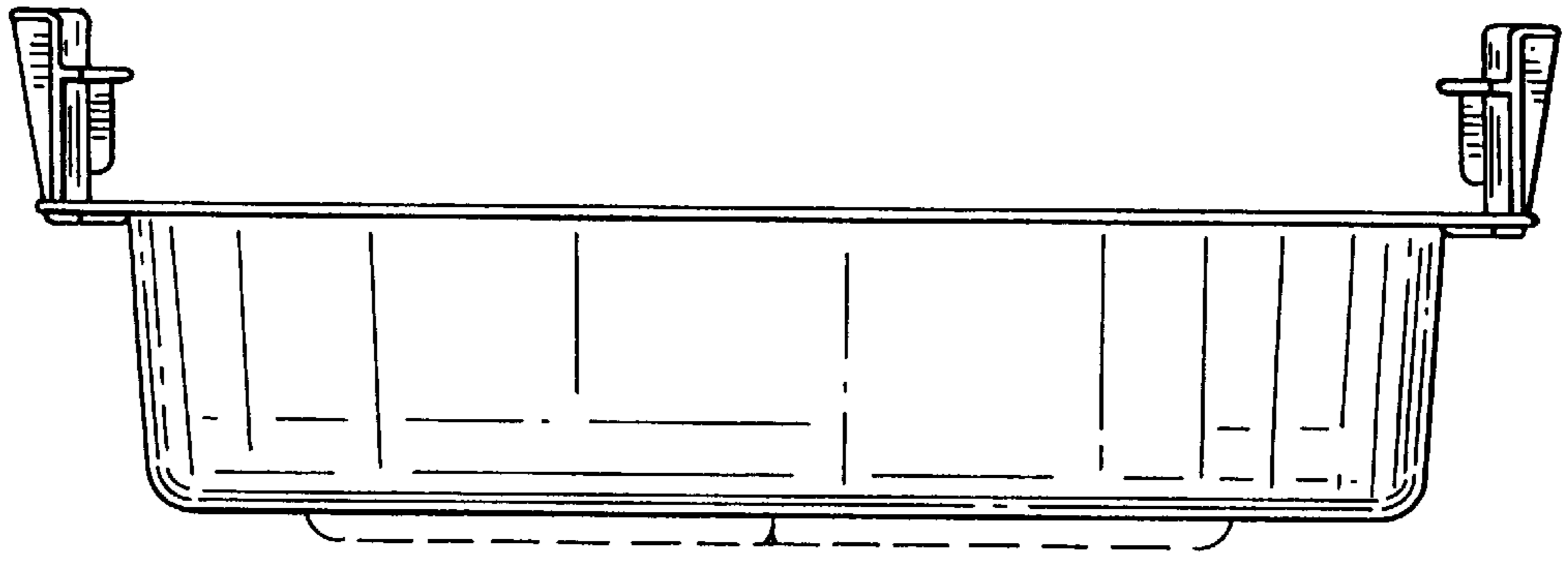


FIG. 5



FIG. 6

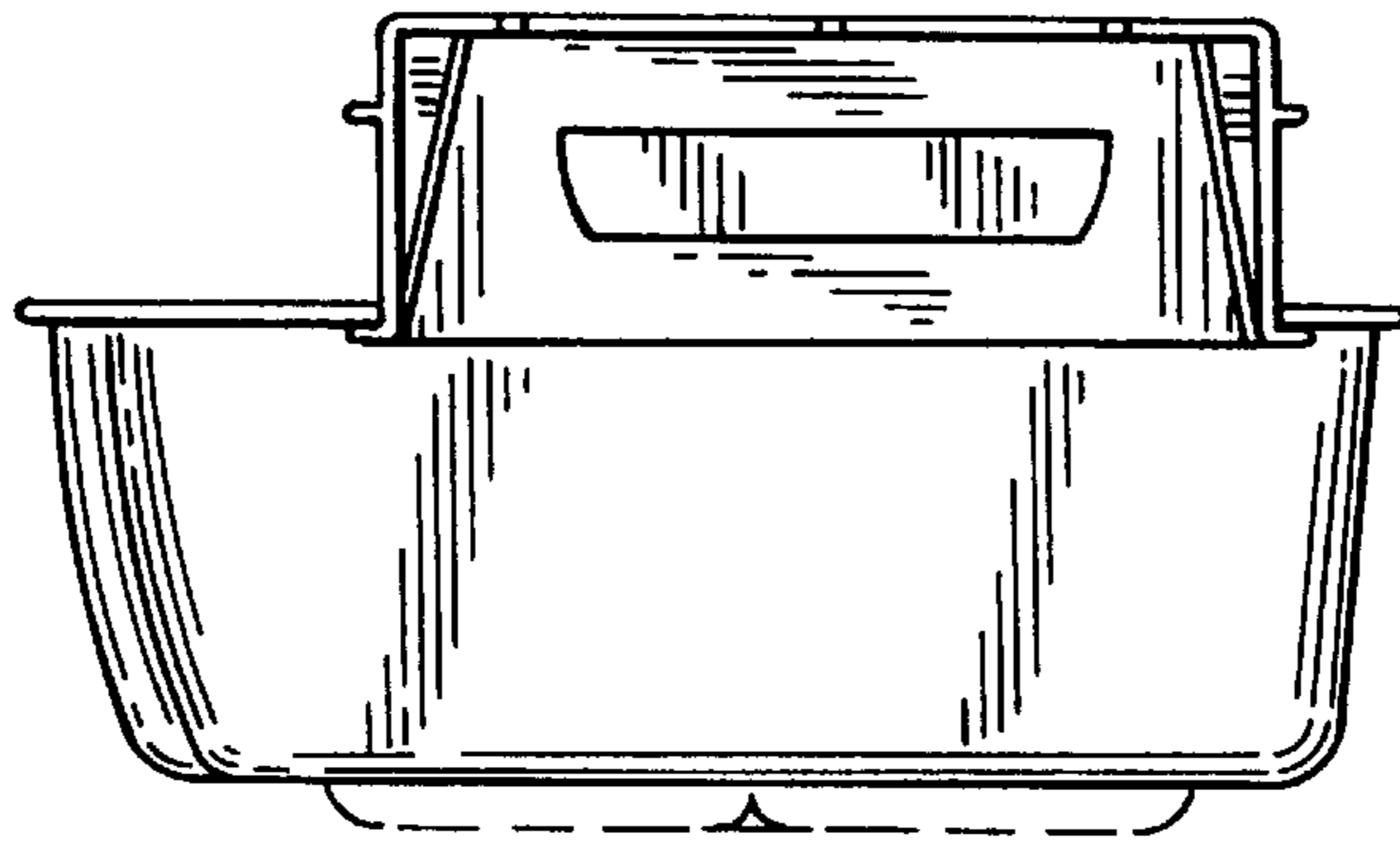


FIG. 7

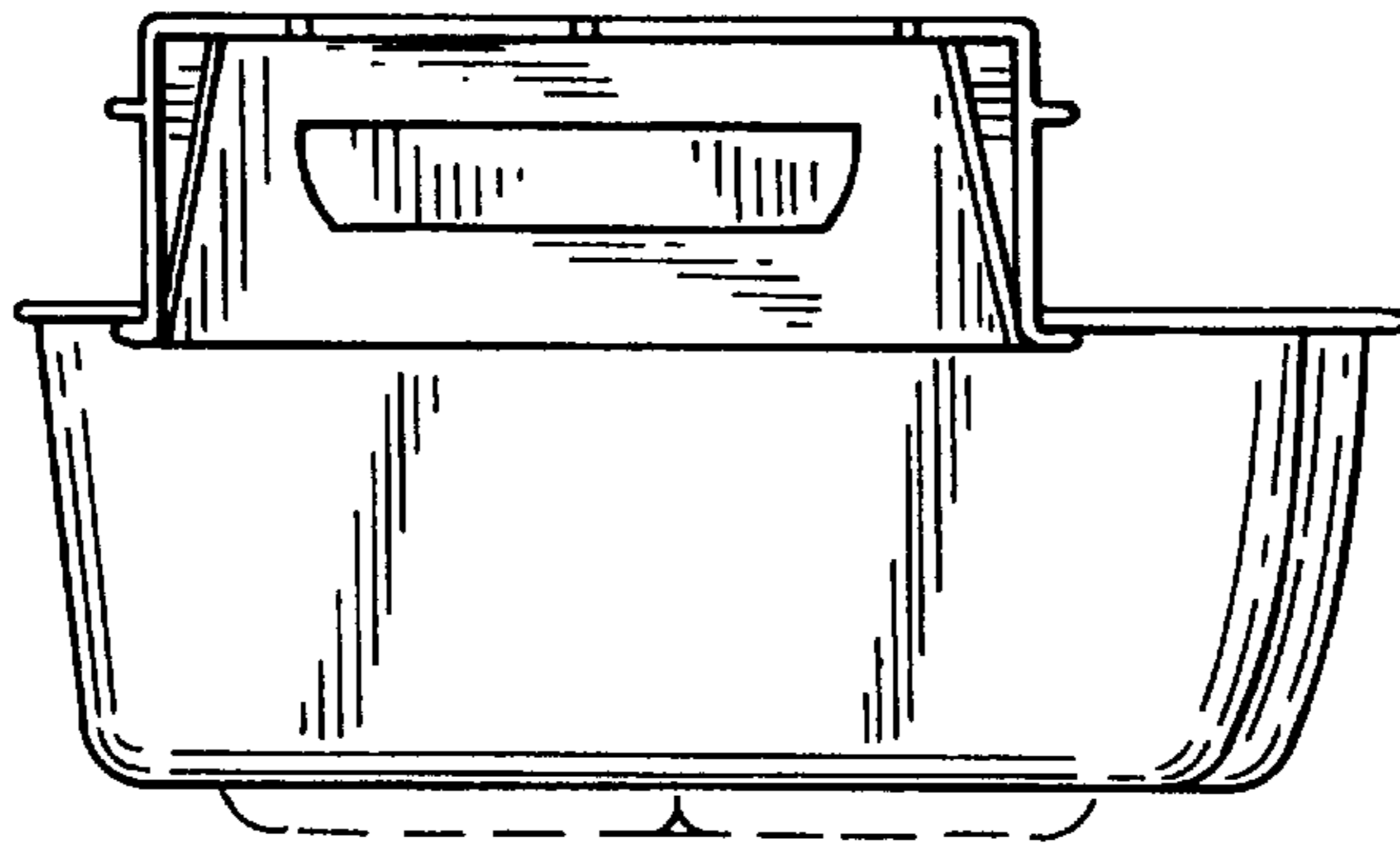


FIG. 8

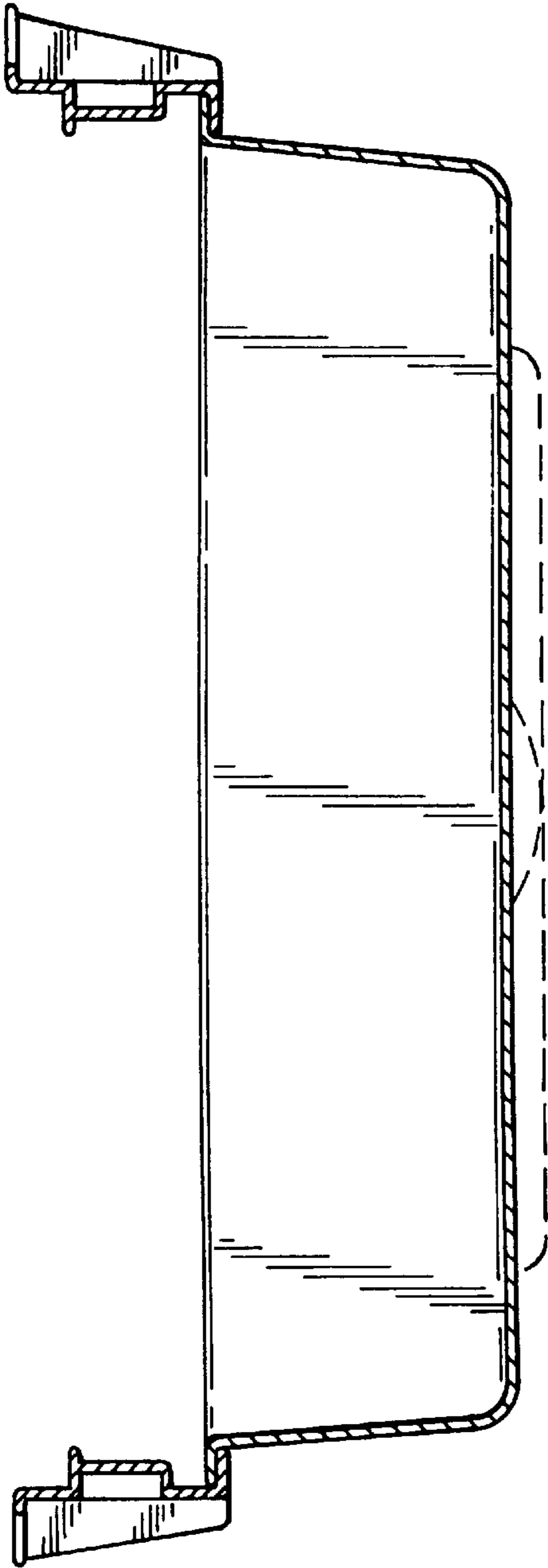


FIG. 9

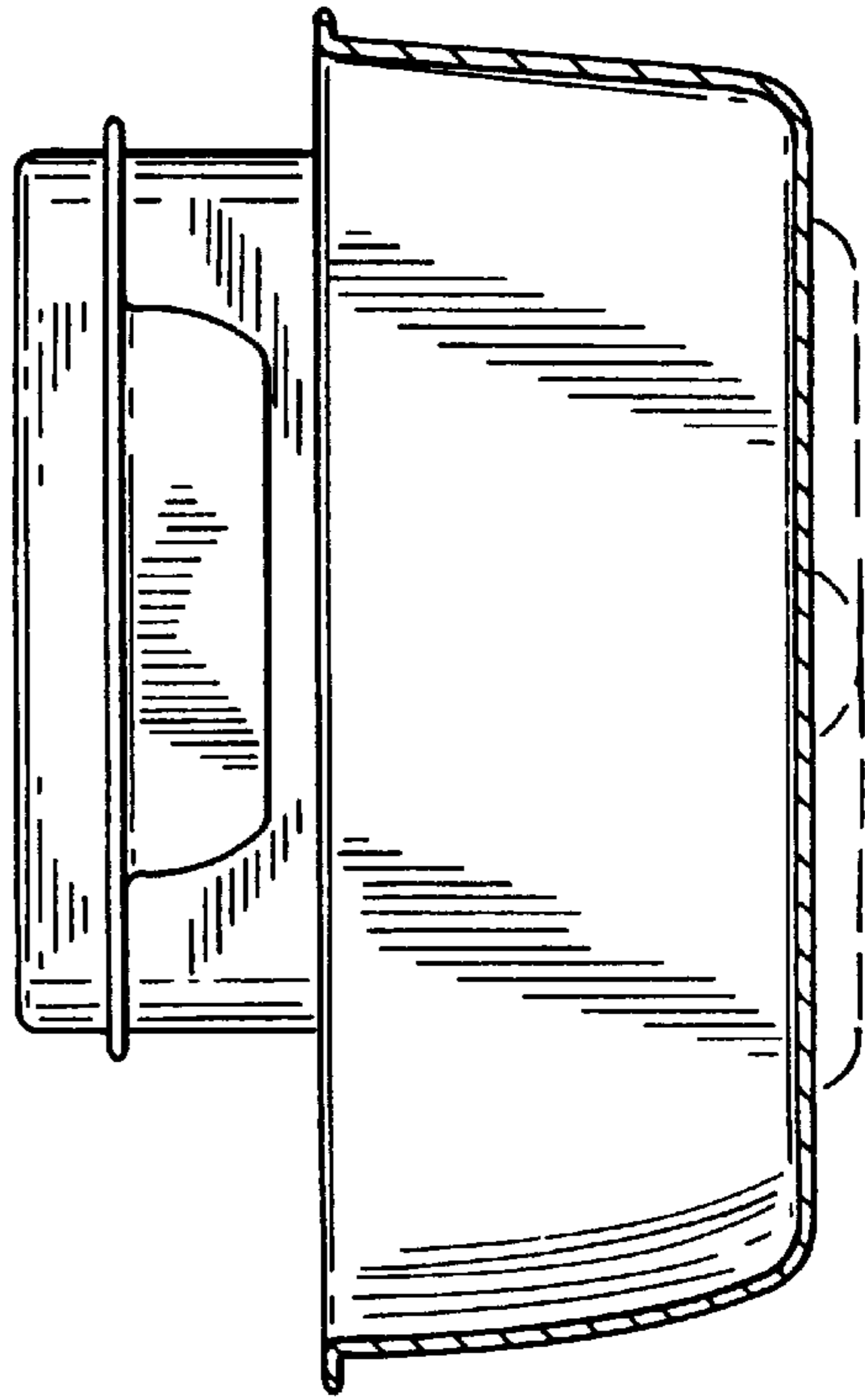


FIG. 10