



US00D406691S

United States Patent [19] McDowell

[11] Patent Number: Des. 406,691

[45] Date of Patent: **Mar. 16, 1999

[54] PORTION OF A SHOE OUTSOLE

D. 389,992 2/1998 Rask .
4,439,936 4/1984 Clarke et al. .

[75] Inventor: Sean M. McDowell, Beaverton, Oreg.

OTHER PUBLICATIONS

[73] Assignee: Nike, Inc., Beaverton, Oreg.

Nike Fall 1998 Footwear Catalog, pp. 8, 20, 116, 122, 142, published Dec. 1997.

[**] Term: 14 Years

Nike Holiday 1997 Footwear Catalog, p. 10, published Mar. 1997.

[21] Appl. No.: 82,789

Nike Fall 1997 Footwear Catalog, p. 152, published Dec. 1996.

[22] Filed: Jan. 30, 1998

Nike Late Spring 1997 Footwear Catalog, p. 45, published Sep. 1996.

[51] LOC (6) Cl. 02-04

Nike Spring 1997 Footwear Catalog, p. 41, published Jun. 1996.

[52] U.S. Cl. D2/960; D2/951; D2/955;
D2/957; D2/959

Nike Fall 1996 Footwear Catalog, p. 38, published Dec. 1995.

[58] Field of Search D2/897, 902, 906,
D2/908, 914, 916, 919, 946-962, 964;
36/44, 59 C, 85, 101, 103, 104, 106, 113-115,
124, 126, 127-130, 3 B, 11.5, 12-15, 25 R

Nike Spring 1996 Footwear Catalog, p. 115, published Jun. 1995.

[56] References Cited

Nike Spring 1992 Footwear Catalog, p. 124, published May 1991.

U.S. PATENT DOCUMENTS

Nike Fall 1989 Footwear Catalog, p. 30, published Dec. 1988.

D. 52,217	7/1918	Haynew	D2/951
D. 164,299	8/1951	Grunder	D2/960
D. 185,462	6/1959	Ratner	D2/960
D. 241,586	9/1976	Sebeatik	D2/959
D. 296,724	7/1988	Peterson	D2/960
D. 324,133	2/1992	Mitsui	.	
D. 329,740	9/1992	Kiyosawa et al.	.	
D. 332,863	2/1993	Lucas	D2/957
D. 335,020	4/1993	Issler	D2/960
D. 336,774	6/1993	Peterson	D2/957
D. 340,128	10/1993	Mitsui	D2/957
D. 343,726	2/1994	Kawasaki	D2/960
D. 345,454	3/1994	Hiuglin	.	
D. 347,936	6/1994	Takaoka	D2/953
D. 349,392	8/1994	Noel	.	
D. 353,709	12/1994	Mitsui	.	
D. 368,795	4/1996	Tanaka et al.	.	
D. 373,898	9/1996	Bramani	.	
D. 378,549	3/1997	Murai et al.	.	
D. 385,987	11/1997	Bramani	.	
D. 387,891	12/1997	Vestuti	.	
D. 387,938	12/1997	Lucas	.	
D. 388,314	12/1997	Tresser	.	
D. 388,596	1/1998	Lozano	.	
D. 388,945	1/1998	Teague	.	
D. 389,294	1/1998	Fogg	.	
D. 389,295	1/1998	Kelchack	D2/960

Nike Fall 1989 Footwear Catalog, p. 36, published Jun. 1988.

Primary Examiner—Celia Murphy
Attorney, Agent, or Firm—Banner & Witcoff, Ltd.

[57] CLAIM

The ornamental design for a portion of a shoe outsole, as shown and described.

DESCRIPTION

FIG. 1 is a perspective view of a portion of a shoe outsole showing our new design;

FIG. 2 is a bottom plan view of the portion of shoe outsole shown in FIG. 1;

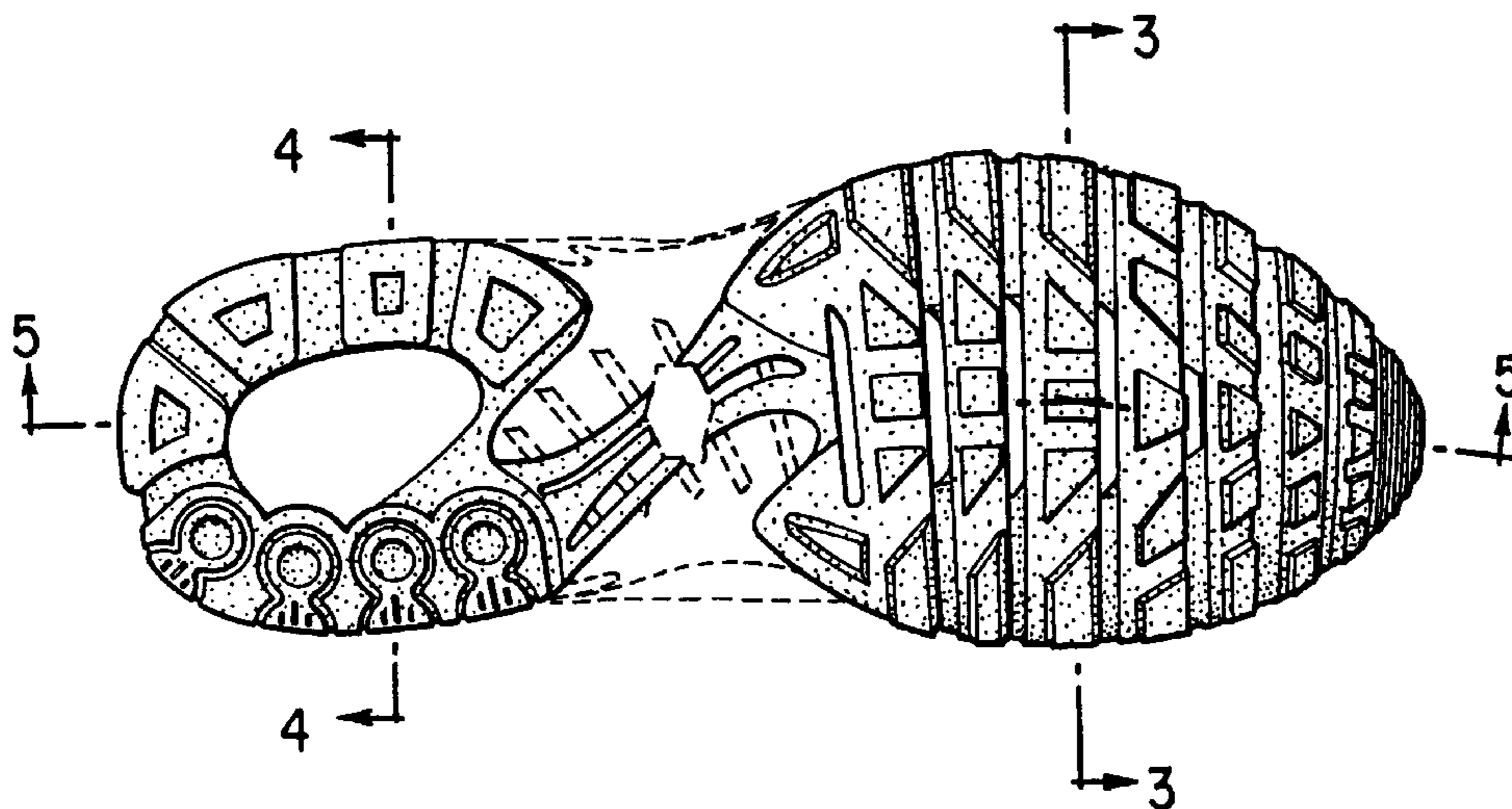
FIG. 3 is a cross-section taken along line 3—3 of FIG. 2;

FIG. 4 is a cross-section taken along line 4—4 of FIG. 2; and,

FIG. 5 is a cross-section taken along line 5—5 of FIG. 2.

The broken line showing of the hexagonal element in the central area and the remainder of the shoe is for illustration purposes only and forms no part of the claimed design.

1 Claim, 2 Drawing Sheets



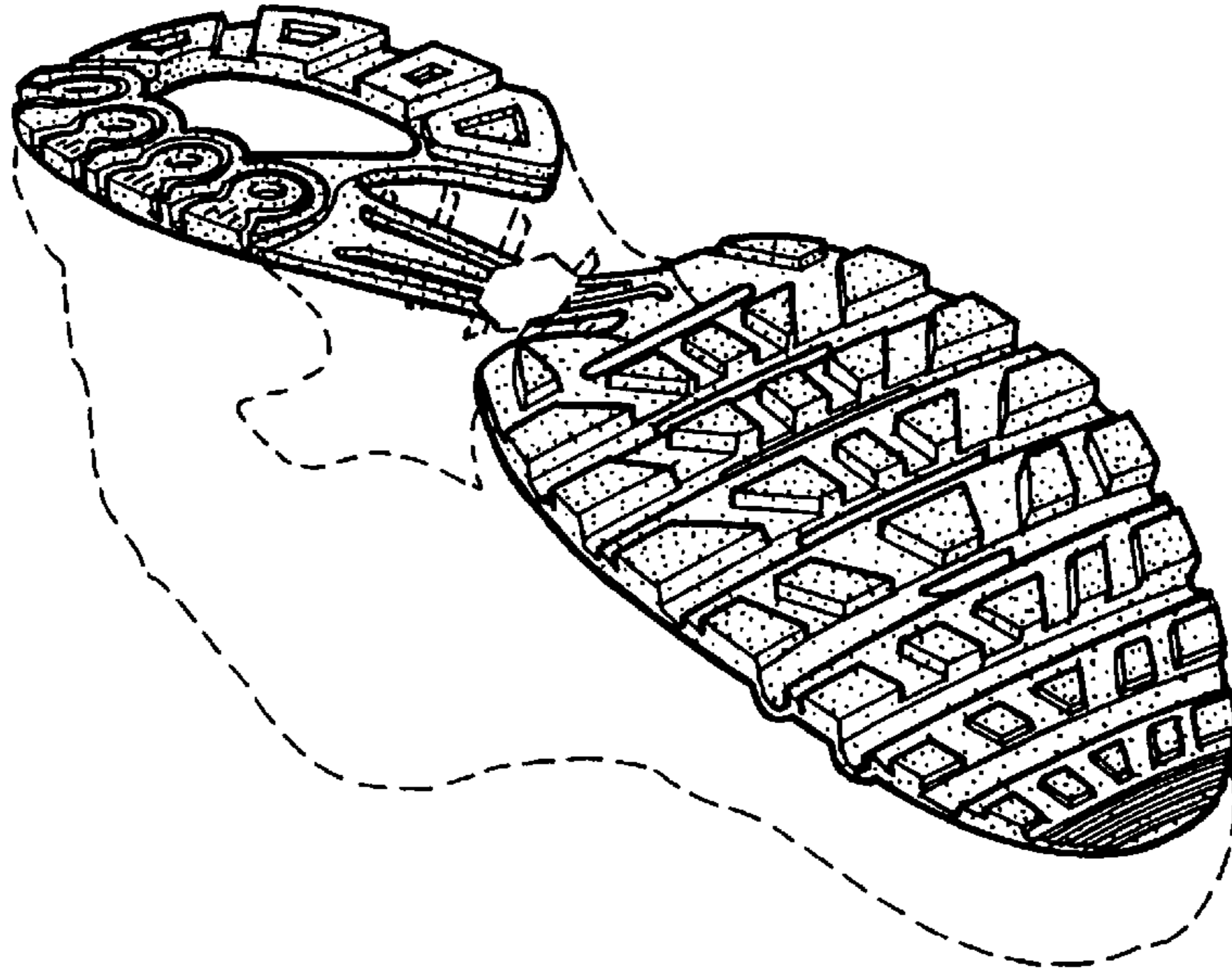


FIG. 1

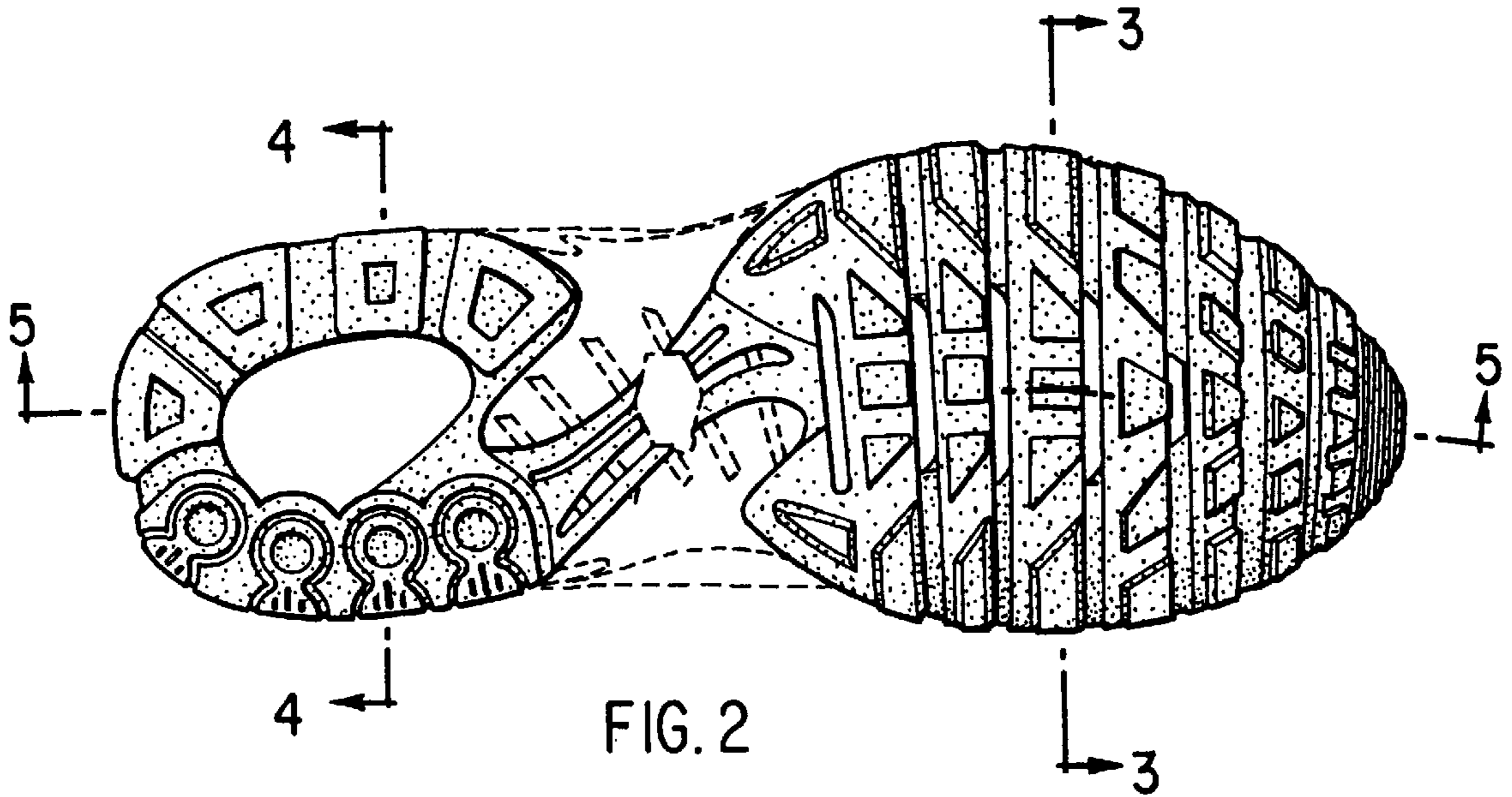


FIG. 2



FIG. 3



FIG. 4



FIG. 5