



US00D406682S

# United States Patent [19] Wright

[11] **Patent Number: Des. 406,682**

[45] **Date of Patent: \*\*Mar. 9, 1999**

[54] **RECYCLING GARBAGE CAN**

[76] Inventor: **Ramona Lee Wright**, 5766 N. 99th St., Milwaukee, Wis. 53225

[\*\*] Term: **14 Years**

[21] Appl. No.: **79,867**

[22] Filed: **Nov. 24, 1997**

[51] **LOC (6) Cl.** ..... **09-09**

[52] **U.S. Cl.** ..... **D34/1**

[58] **Field of Search** ..... D34/1, 5-7, 10; 220/908, 909, 23.2, 23.83, 23.6; 211/55

[56] **References Cited**

**U.S. PATENT DOCUMENTS**

D. 336,701	6/1993	Waterston	.....	D34/1
386,964	7/1888	Cochran	.....	211/55
5,085,328	2/1992	Evenson	.....	211/55
5,127,524	7/1992	Howitt	.....	220/908

*Primary Examiner*—Alan P. Douglas

*Assistant Examiner*—Robin V. Taylor

[57] **CLAIM**

The ornamental design for the recycling garbage can, as shown and described.

**DESCRIPTION**

FIG. 1 is a perspective view of a first embodiment of a recycling garbage can showing my new design;

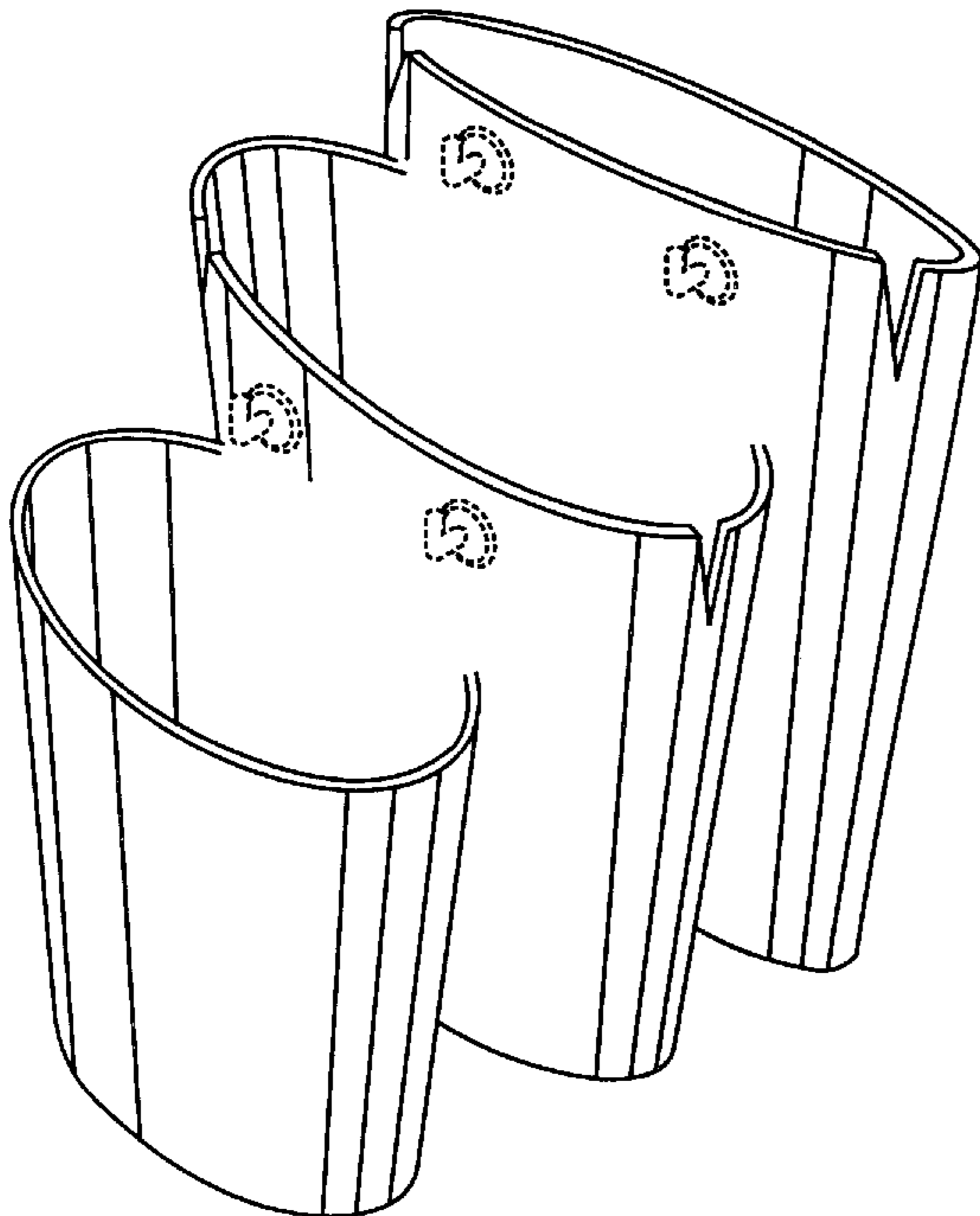


FIG. 2 is a top plan view thereof;

FIG. 3 is a left side elevational view with the right side being a mirror image thereof;

FIG. 4 is a rear elevational view thereof;

FIG. 5 is a front elevational view thereof;

FIG. 6 is the bottom plan view thereof;

FIG. 7 is a perspective view of a second embodiment of a recycling garbage can showing my new design;

FIG. 8 is a top plan view thereof;

FIG. 9 is a left side elevational view the right side being a mirror image thereof;

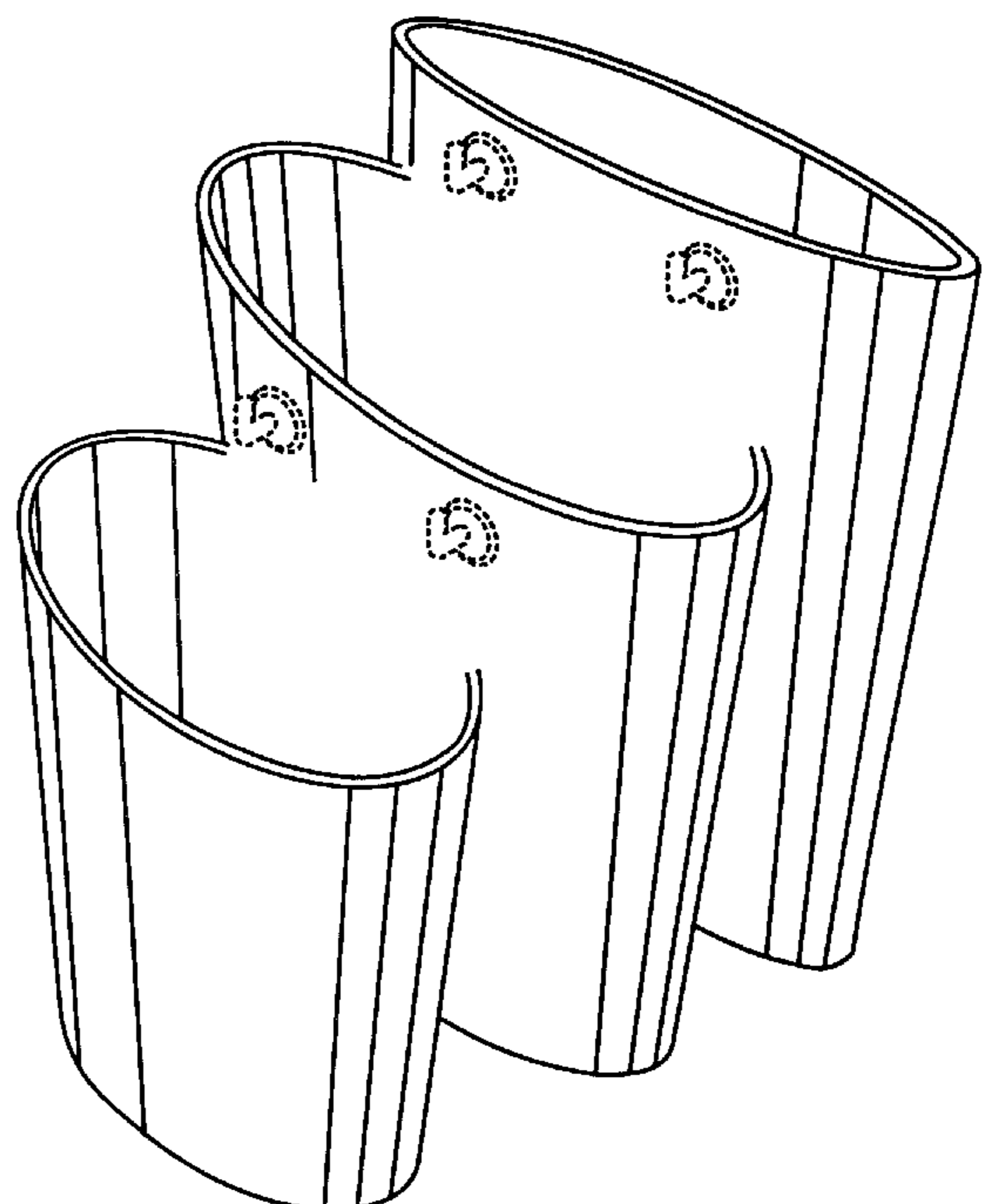
FIG. 10 is a rear elevational view thereof;

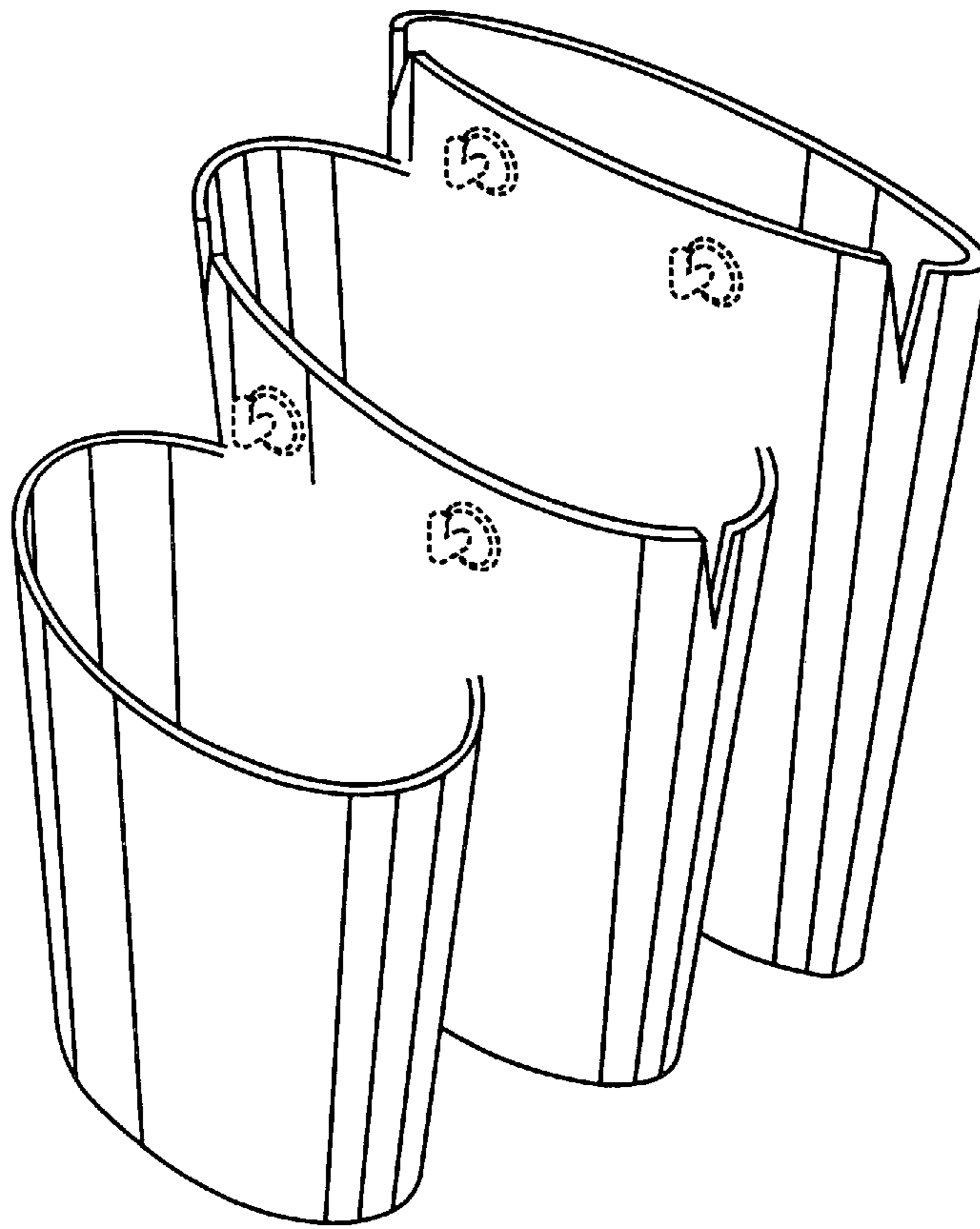
FIG. 11 is a front elevational view thereof; and,

FIG. 12 is the bottom plan view thereof.

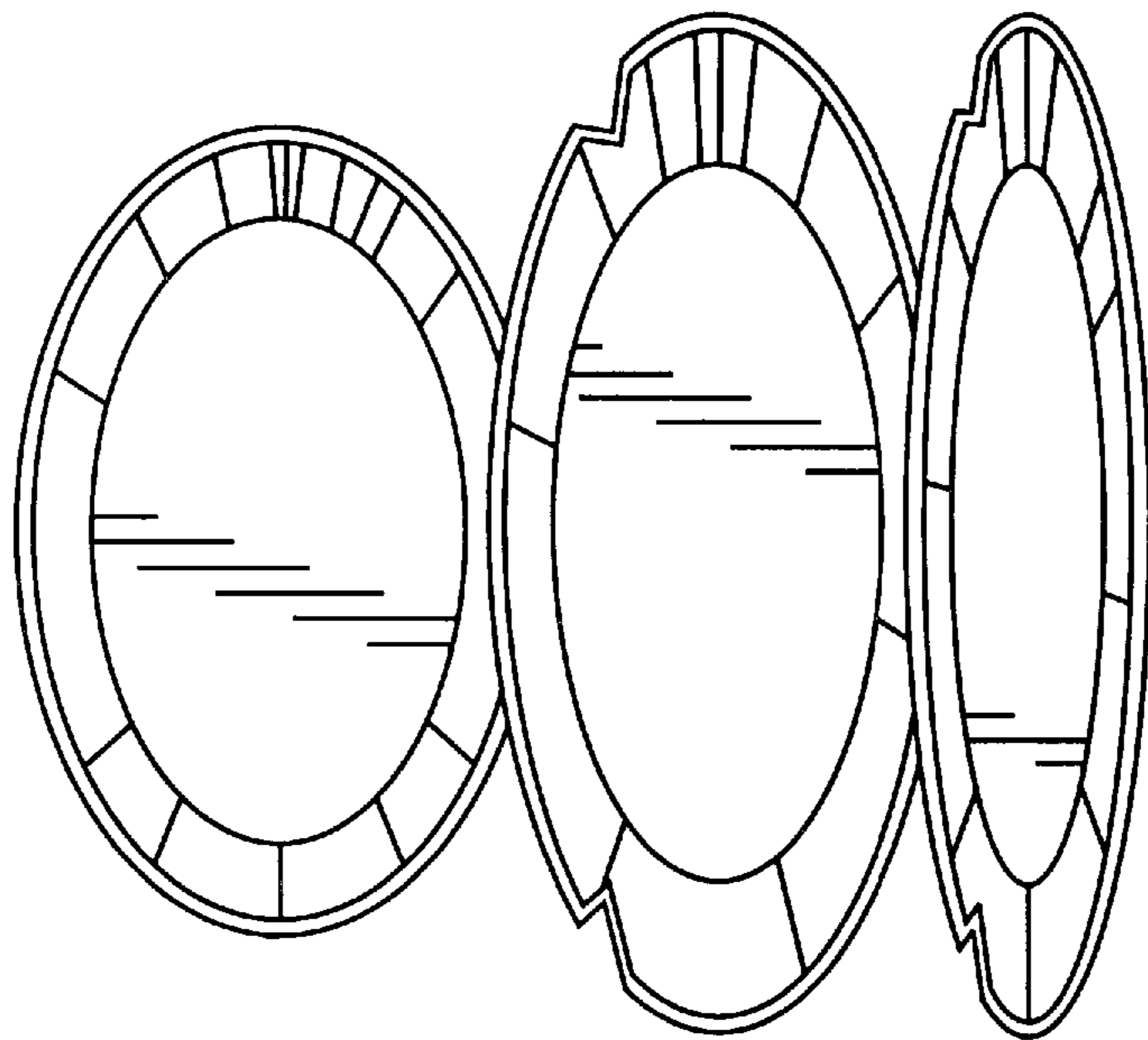
The broken line showing of the hooks in FIGS. 1, 3, 5, 7, 9, and 11 is for illustrative purposes only and forms no part of the claim design.

**1 Claim, 12 Drawing Sheets**

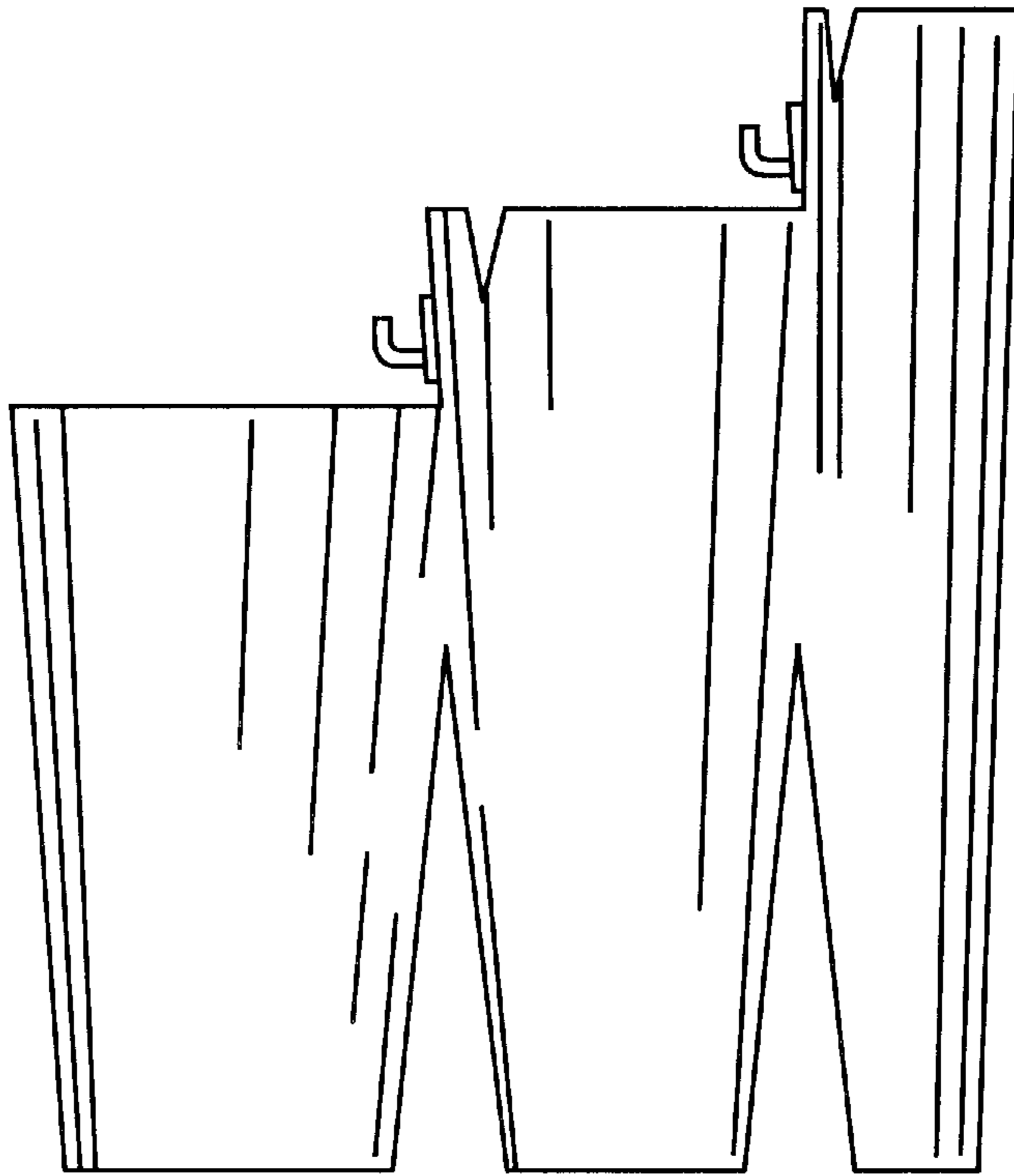




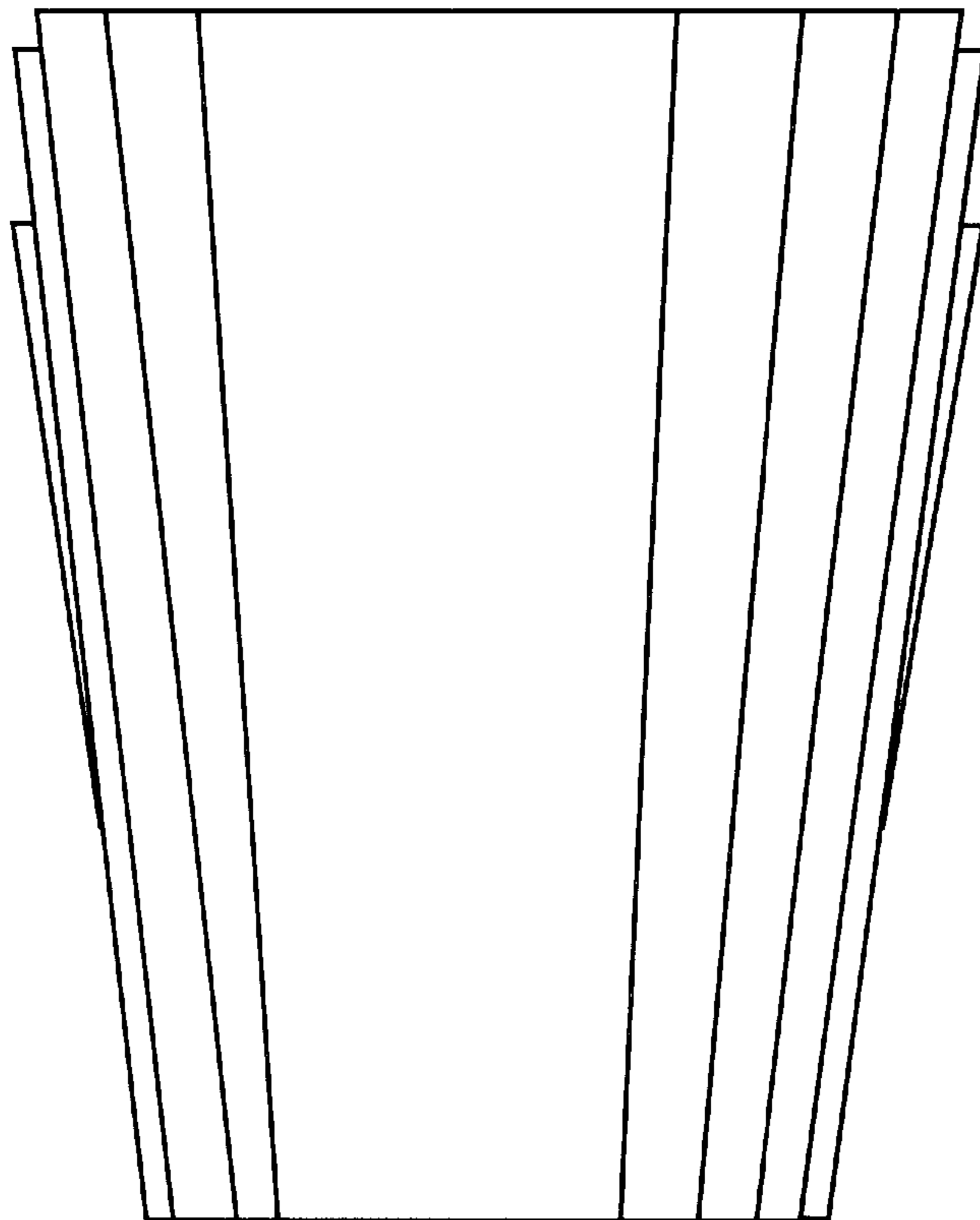
*Fig. 1*



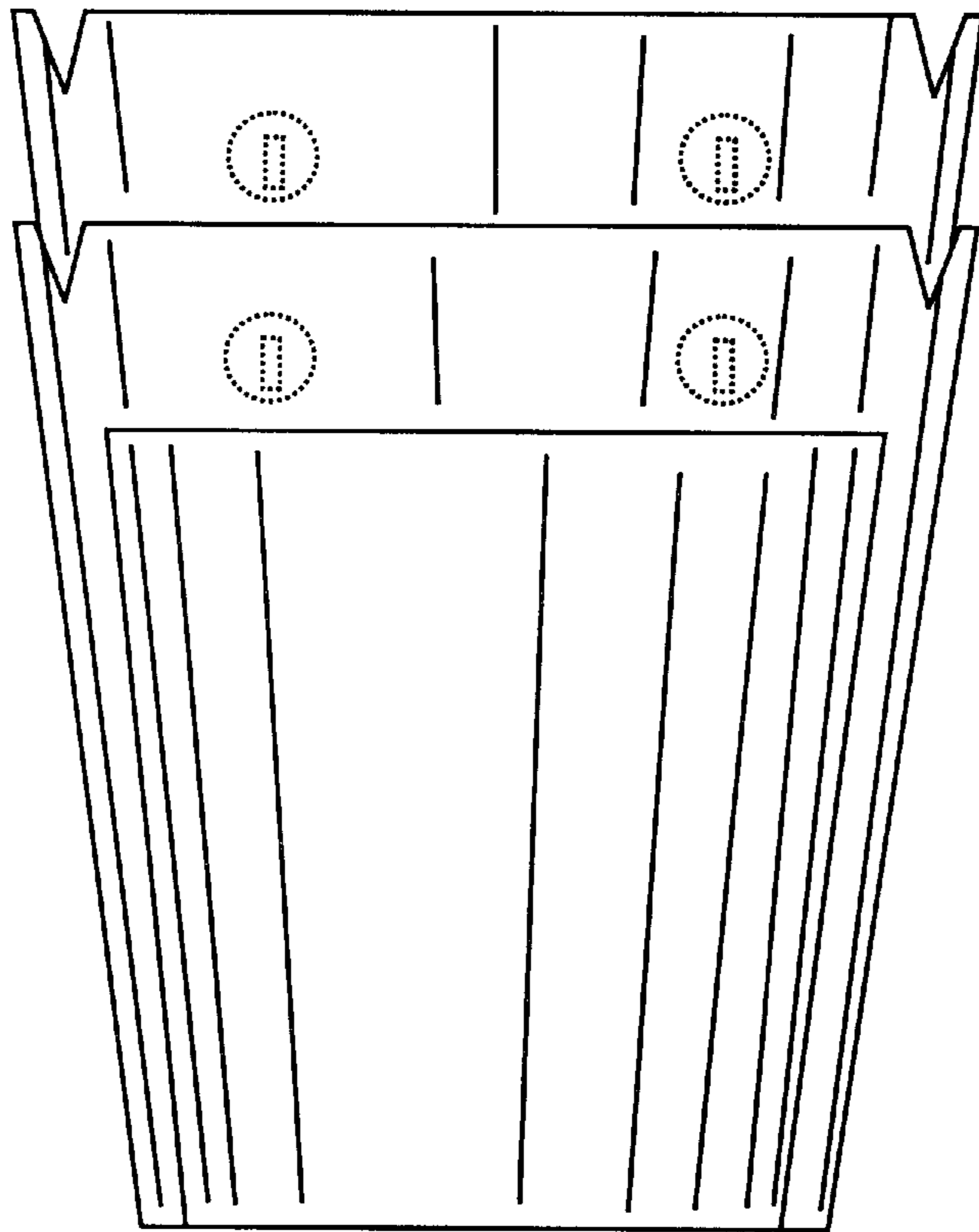
*Fig. 2*



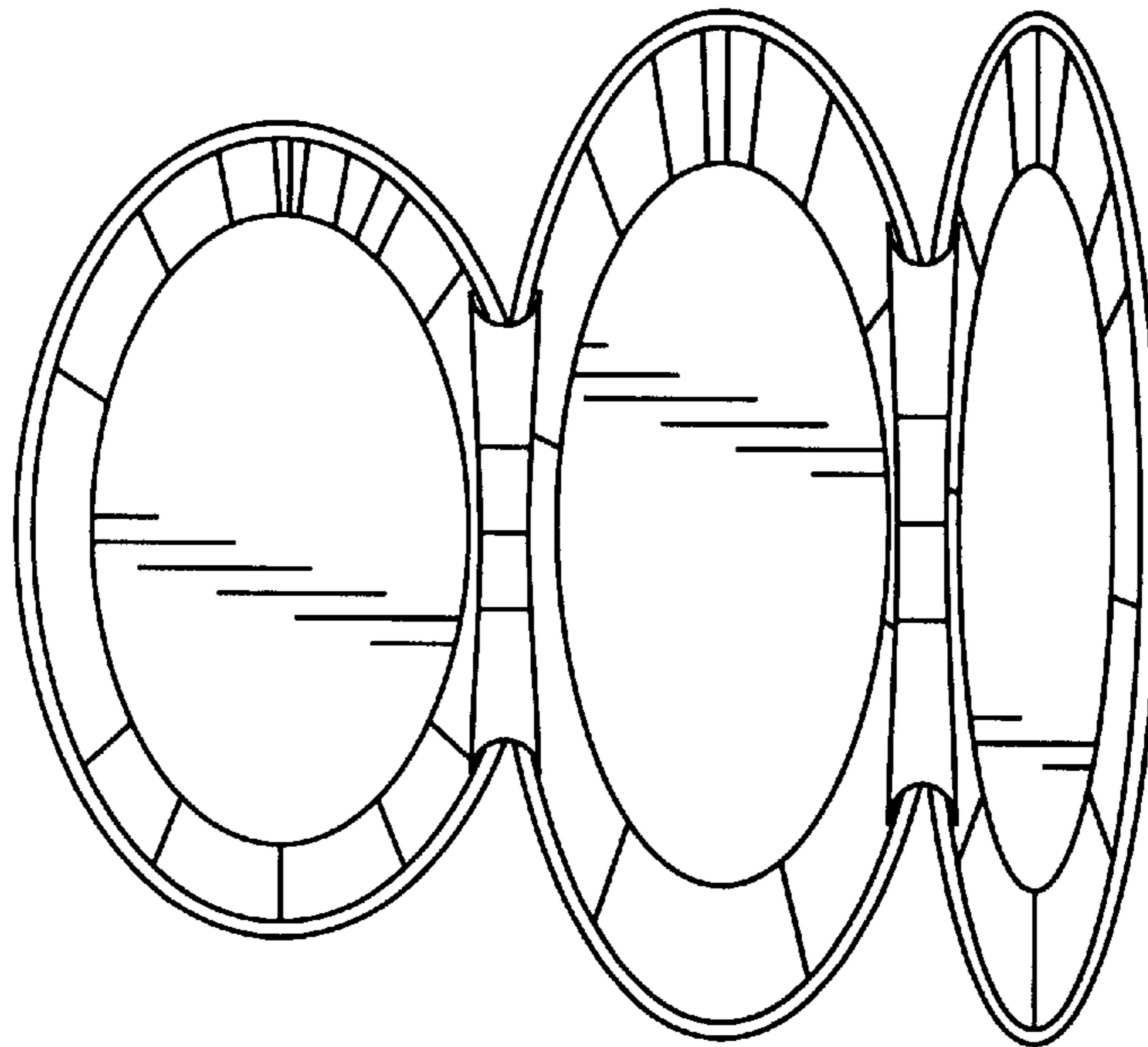
*Fig. 3*



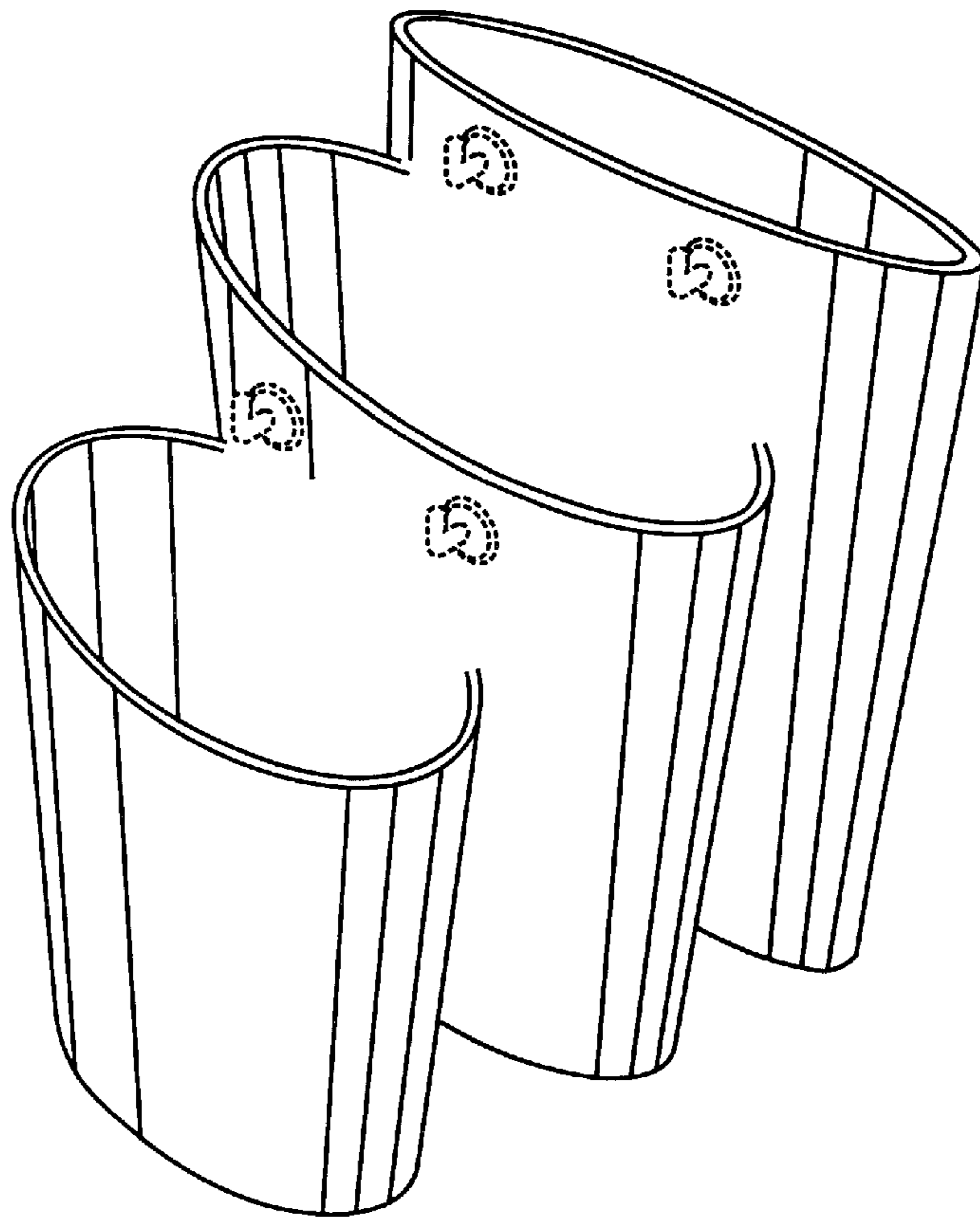
*Fig. 4*



*Fig. 5*

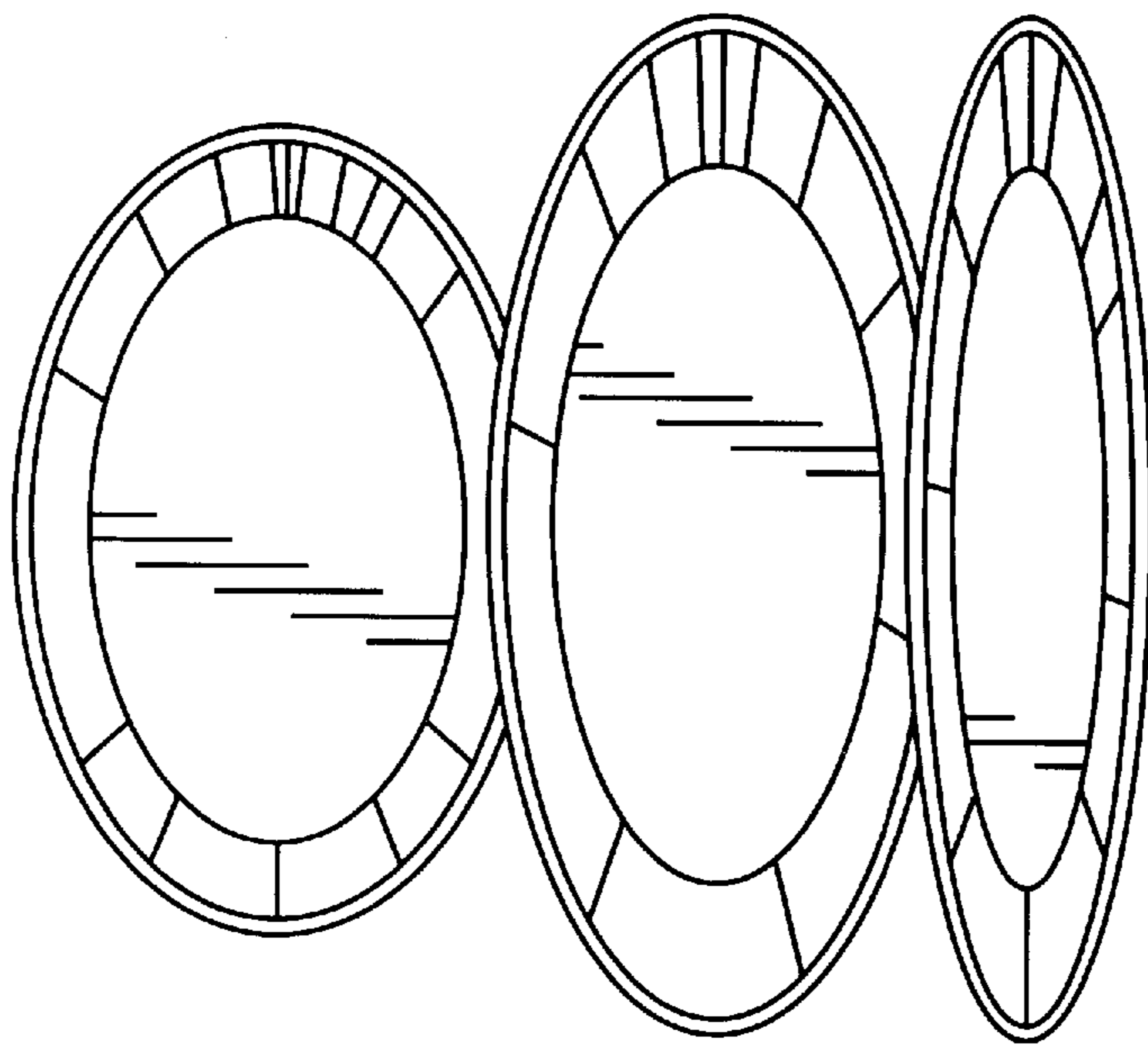


*Fig. 6*

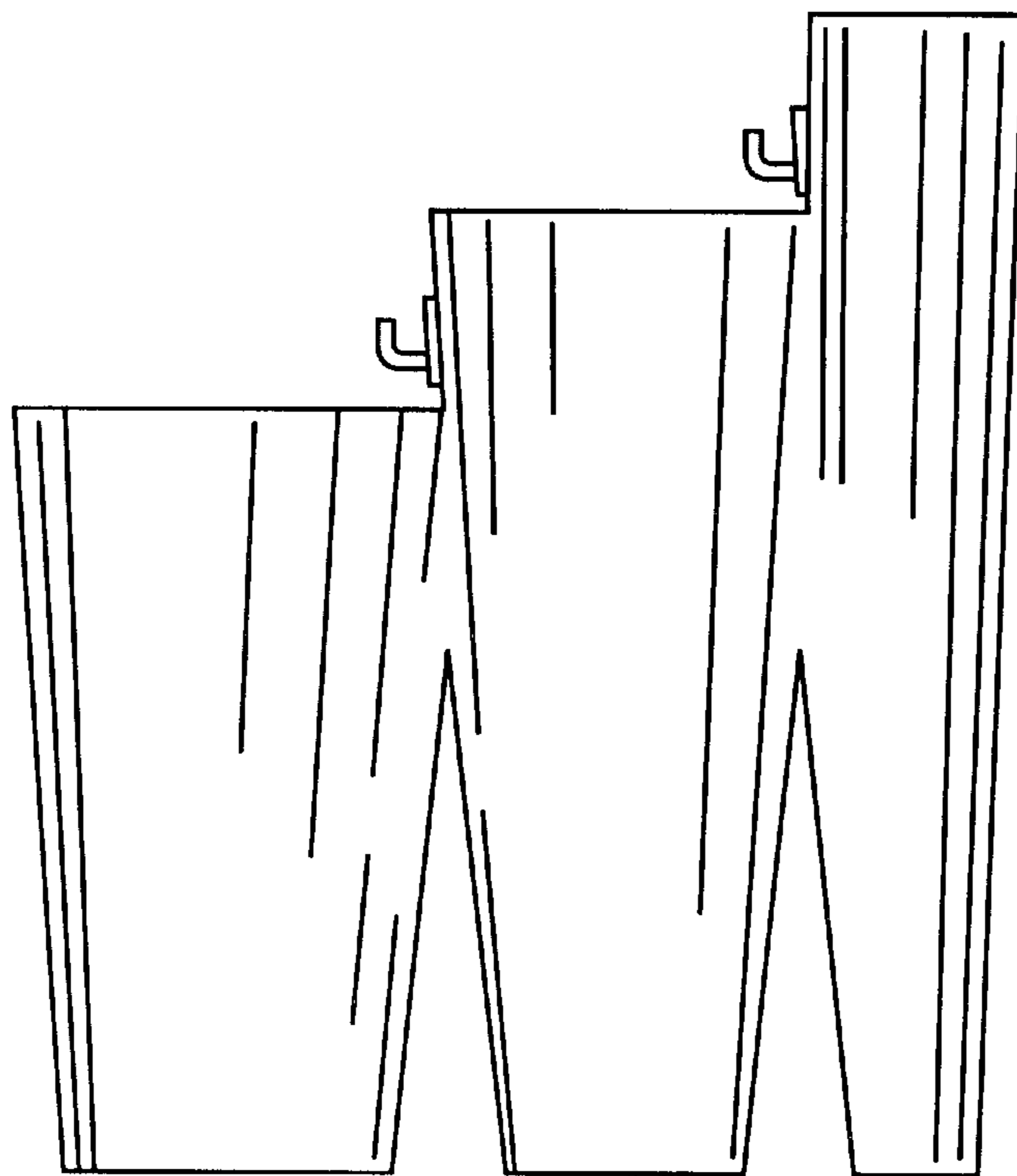


*Fig. 7*

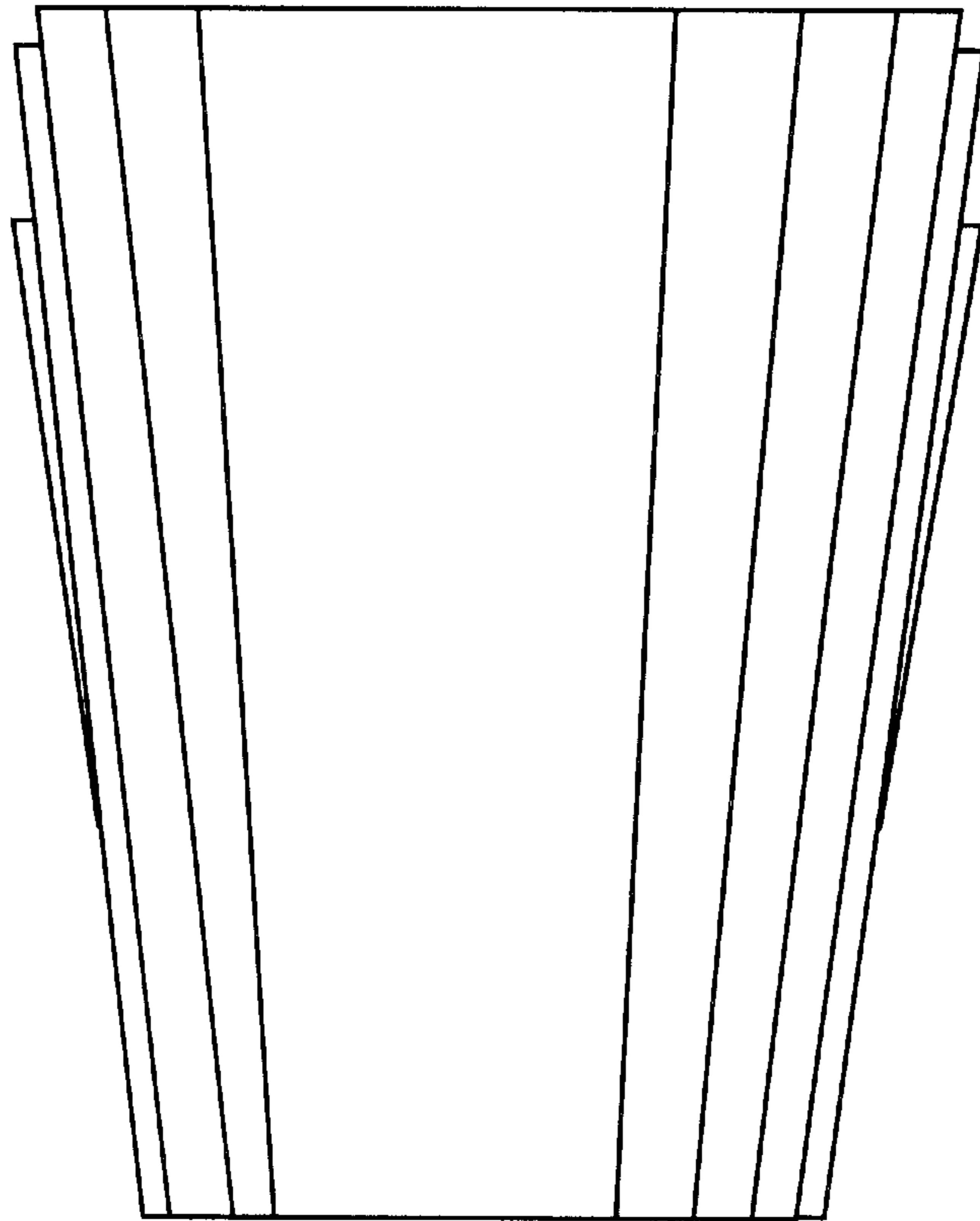




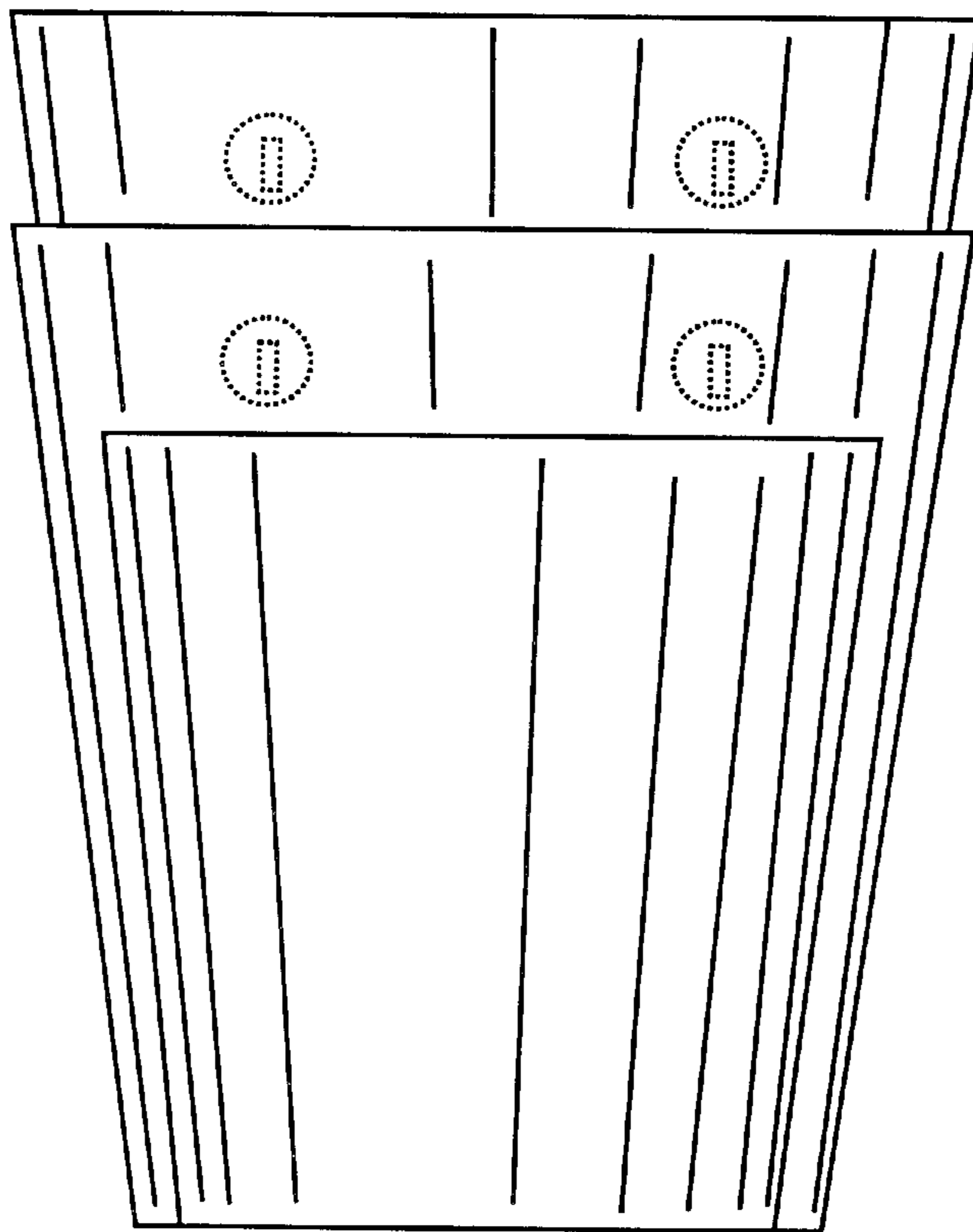
*Fig. 8*



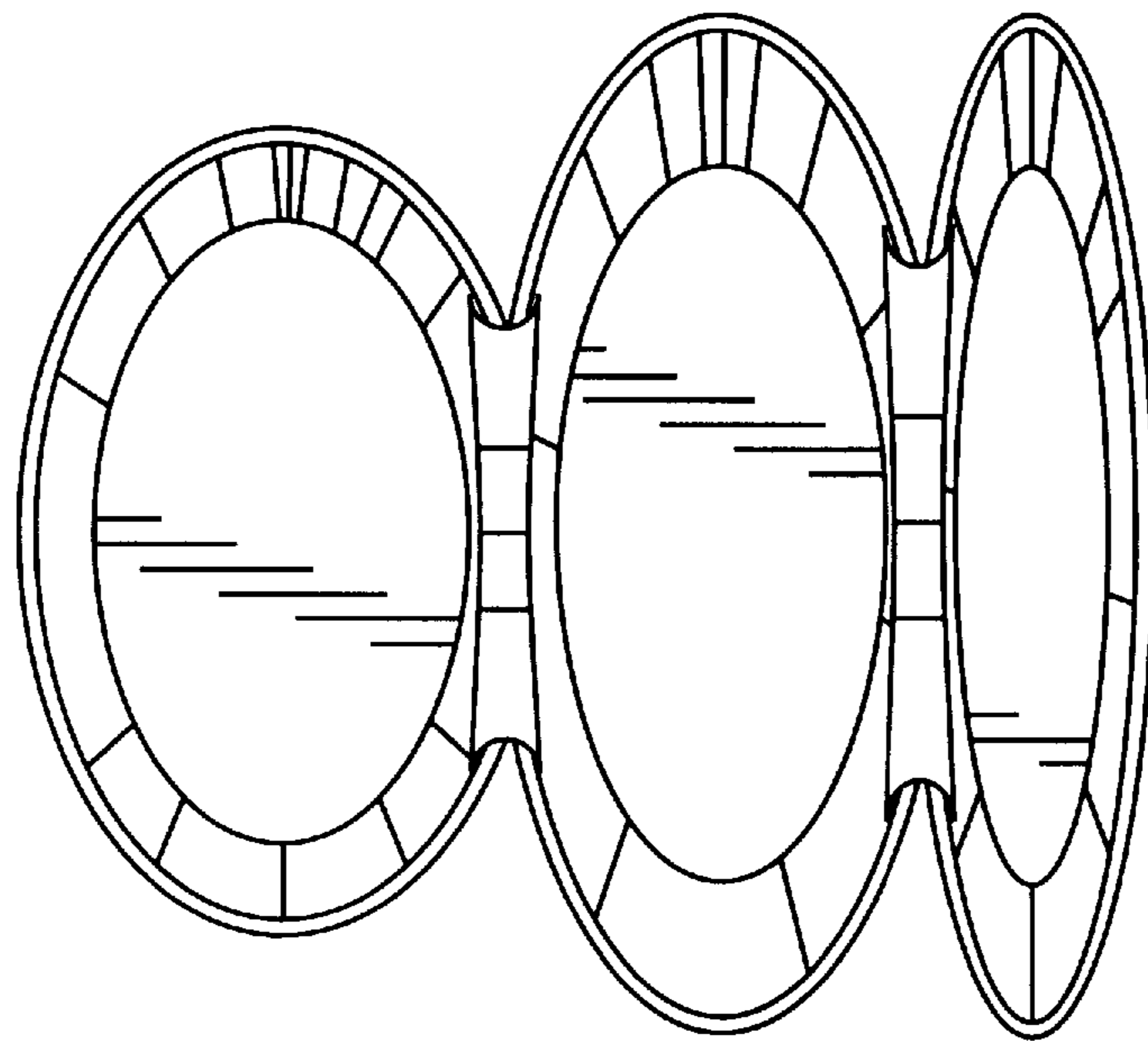
*Fig. 9*



*Fig. 10*



*Fig. 11*



*Fig. 12*