



US00D406680S

United States Patent [19] Hakker

[11] **Patent Number: Des. 406,680**

[45] **Date of Patent: **Mar. 9, 1999**

[54] **CONTAINER FOR CLEANING BRUSHES**

[75] Inventor: **Joop Hakker**, Ev Soest, Netherlands

[73] Assignee: **Household Innovations International, B.V.**, Netherlands

[**] Term: **14 Years**

[21] Appl. No.: **76,045**

[22] Filed: **Aug. 28, 1997**

[30] **Foreign Application Priority Data**

Feb. 28, 1997 [XH] Hague Agreement DM/039 348

[51] **LOC (6) Cl.** **08-99**

[52] **U.S. Cl.** **D32/35**

[58] **Field of Search** D32/35, 53, 53.1,
D32/54; D9/414, 428; 15/104.92, 142;
D3/304, 307

[56] **References Cited**

U.S. PATENT DOCUMENTS

D. 258,097 2/1981 Wistrand .

D. 306,784	3/1990	Fung	D32/35 X
D. 308,740	6/1990	Leiter	D32/35
2,546,041	3/1951	Newton et al. .	
5,687,444	11/1997	Hakker	15/104.92
5,727,275	3/1998	Rocha	15/104.92

Primary Examiner—Freda Nunn
Assistant Examiner—Cynthia E. Ramirez
Attorney, Agent, or Firm—Deveau, Colton & Marquis

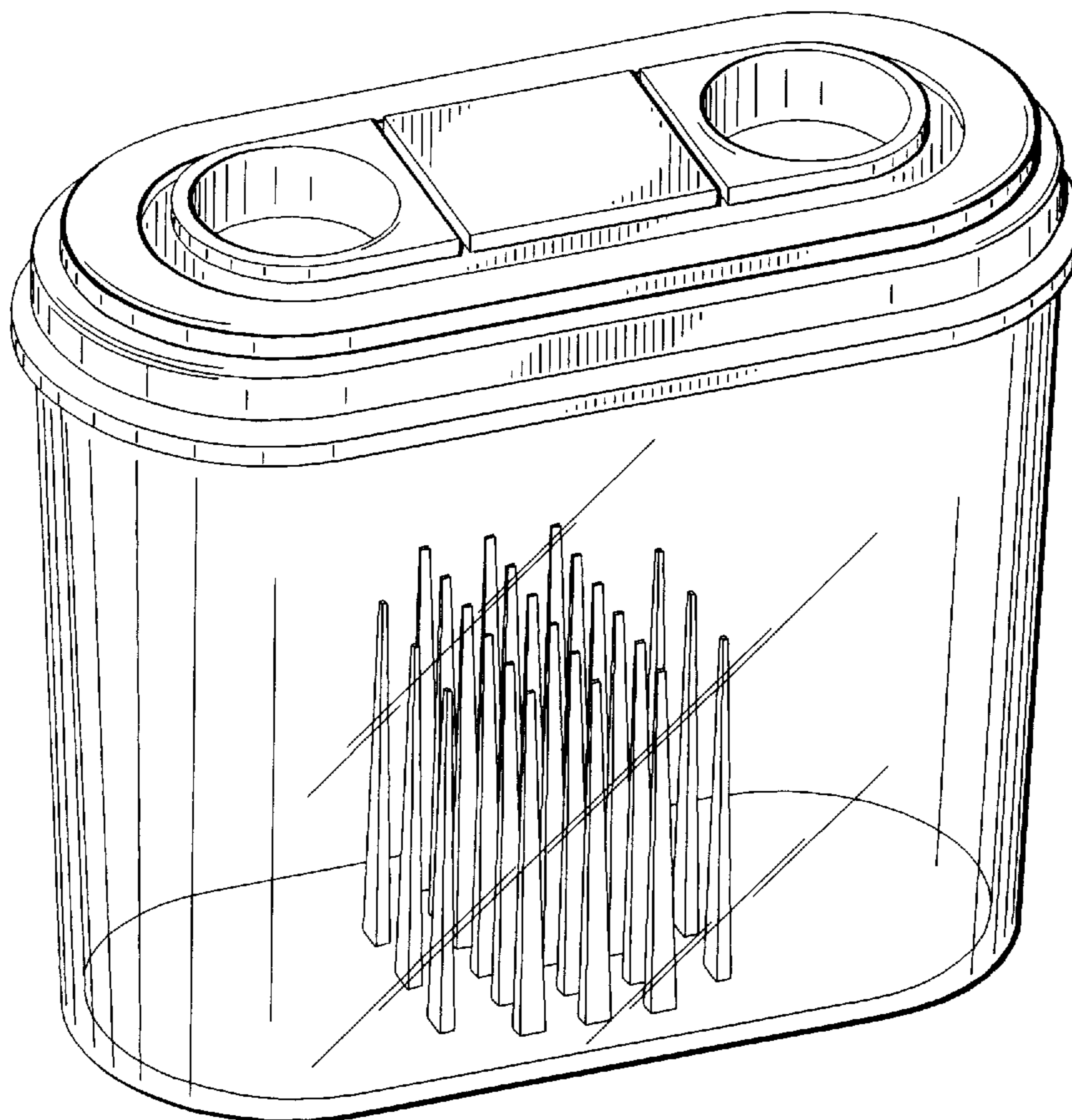
[57] **CLAIM**

The ornamental design for the container for cleaning brushes, as shown.

DESCRIPTION

FIG. 1 is a perspective view for a container for cleaning brushes showing my new design;
FIG. 2 is a front elevation view thereof;
FIG. 3 is a side elevation view thereof;
FIG. 4 is a top plan view thereof; and,
FIG. 5 is a bottom plan view thereof.

1 Claim, 2 Drawing Sheets



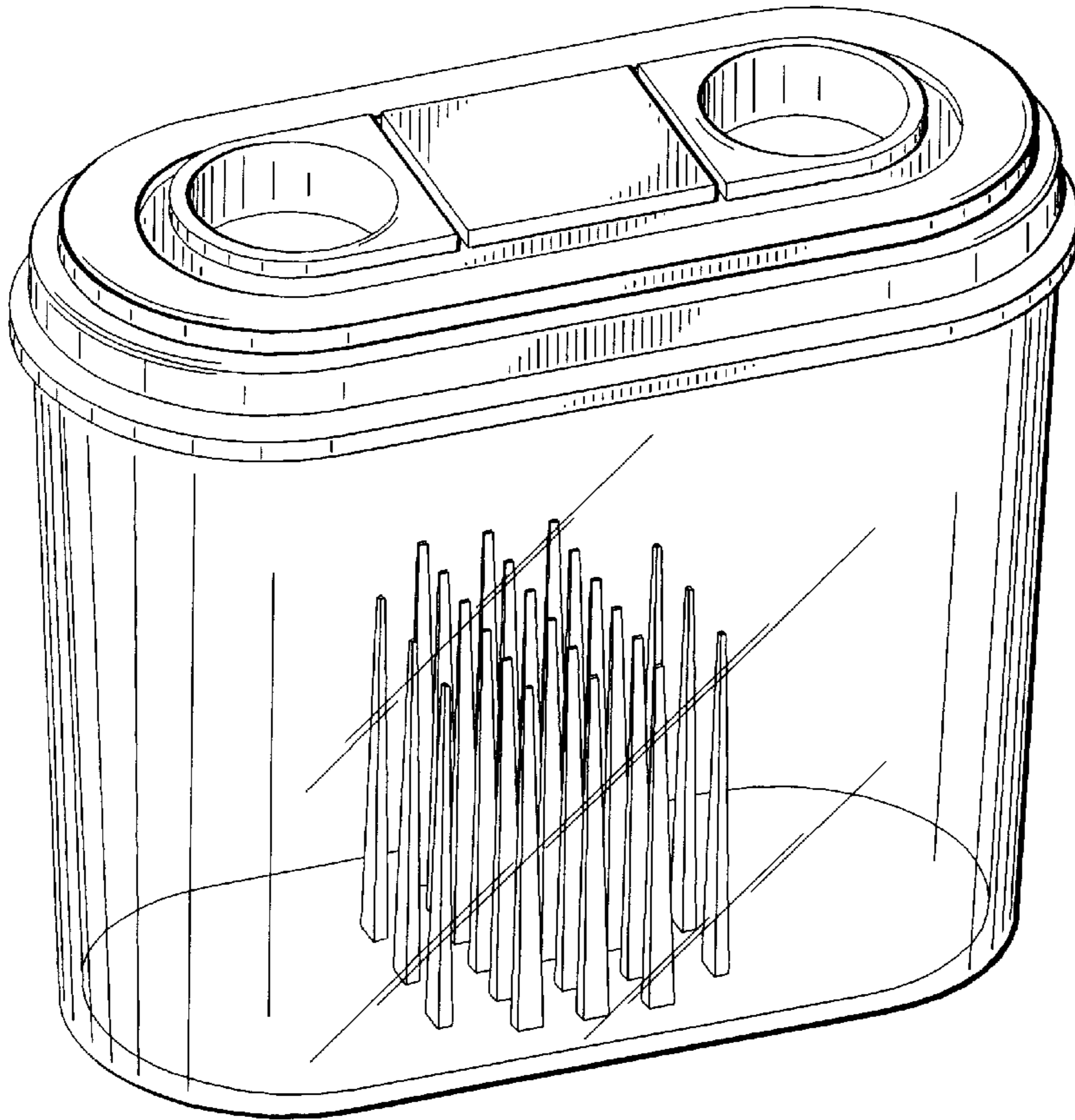


FIG. 1

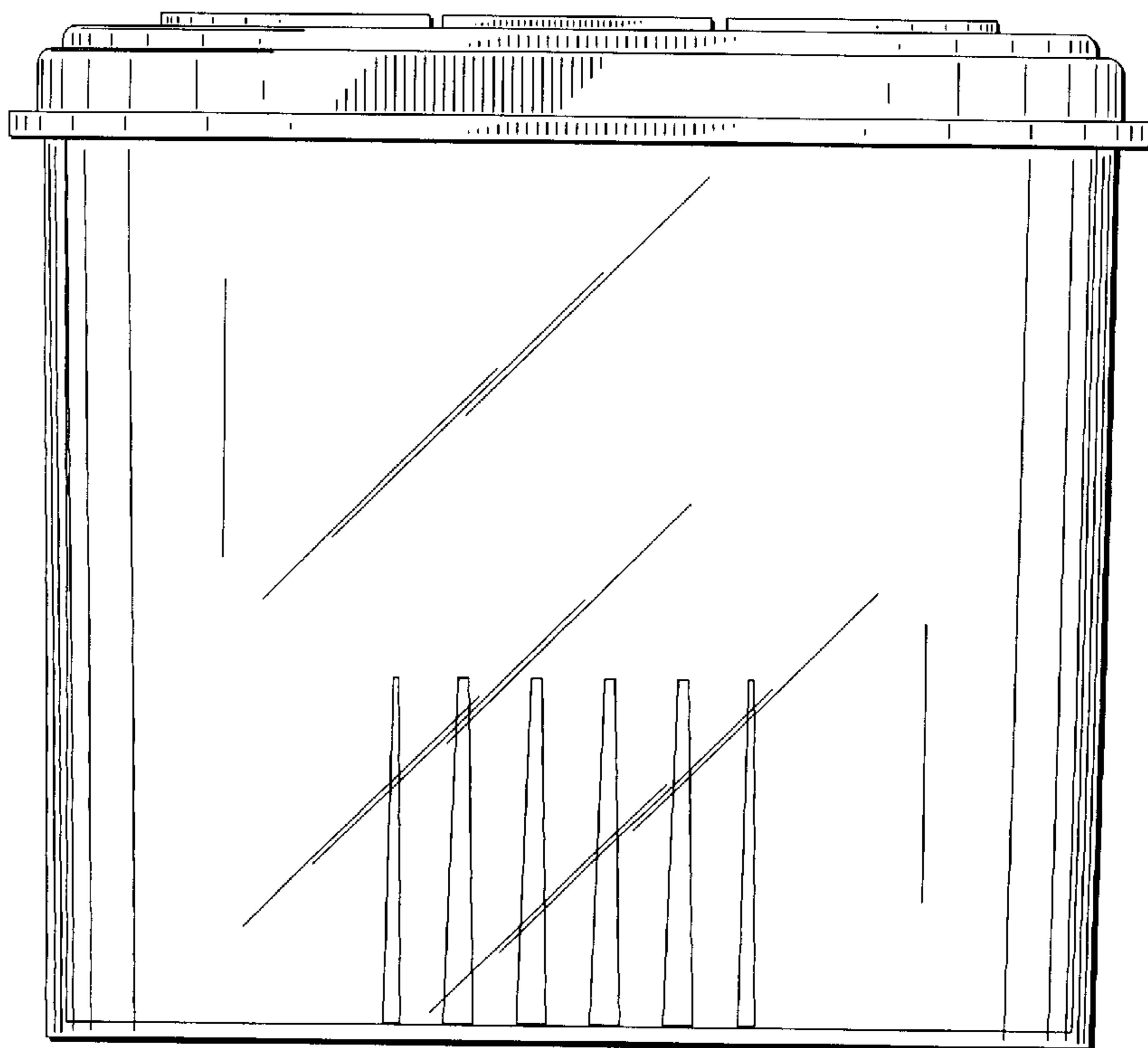


FIG. 2

FIG. 3

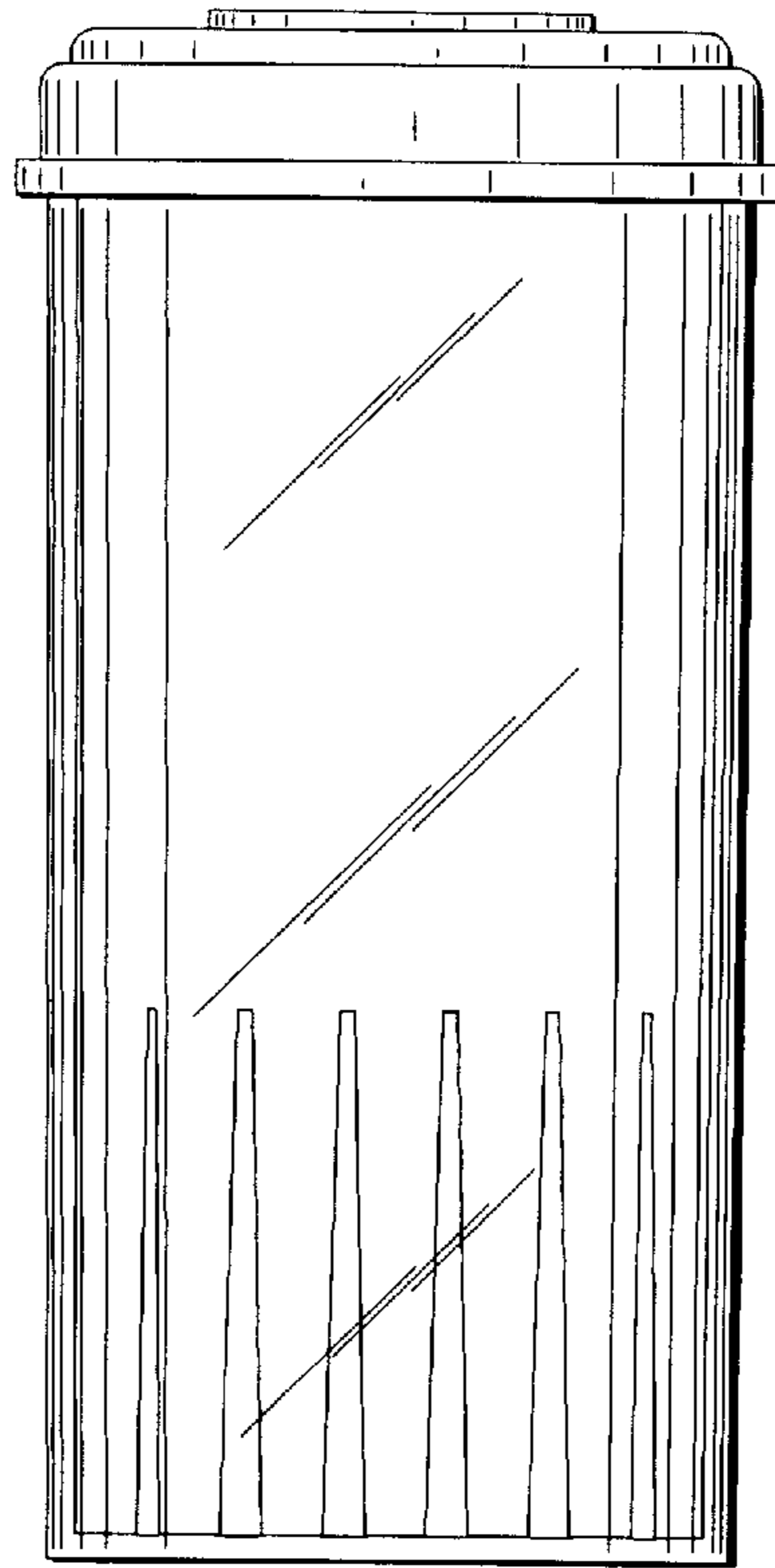


FIG. 4

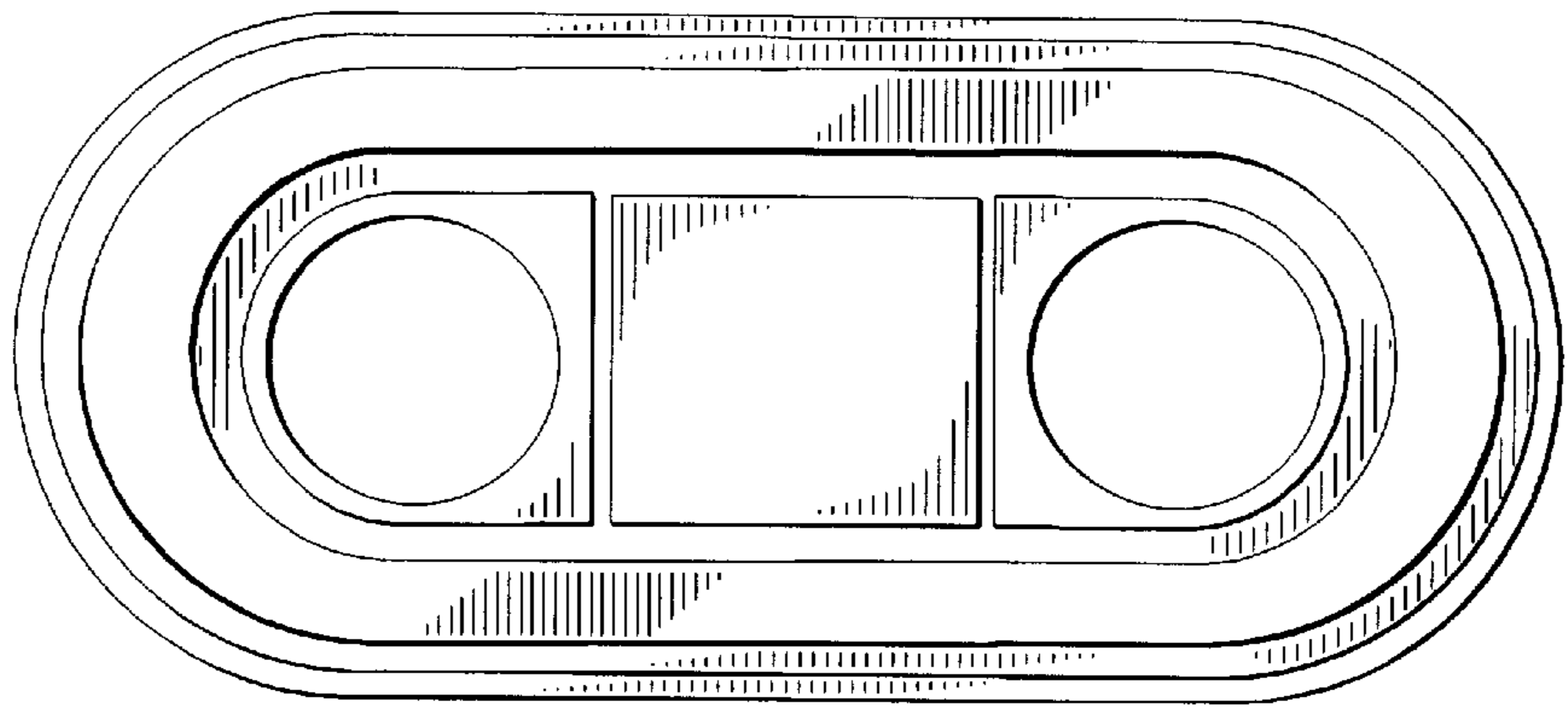


FIG. 5

