

US00D406679S

# United States Patent [19] DePalma

[11] **Patent Number: Des. 406,679**

[45] **Date of Patent: \*\*Mar. 9, 1999**

[54] **DETERGENT DISPENSER**

[75] Inventor: **Robert DePalma**, San Clemente, Calif.

[73] Assignee: **Depalma & Associates**, San Clemente, Calif.

[\*\*] Term: **14 Years**

[21] Appl. No.: **87,363**

[22] Filed: **May 1, 1998**

[51] **LOC (6) Cl. .... 15-05**

[52] **U.S. Cl. .... D32/30**

[58] **Field of Search .... D32/25, 30; D9/353, D9/366, 387, 515; 68/17 R, 207; 222/52, 463, 478**

[56] **References Cited**

**U.S. PATENT DOCUMENTS**

D. 319,781	9/1991	Halm et al. ....	D32/30
D. 321,476	11/1991	Alcover .....	D32/30
D. 344,820	3/1994	Cornette et al. ....	D32/30
D. 361,267	8/1995	Harley et al. ....	D32/25 X
D. 383,264	9/1997	Balz .	
D. 384,450	9/1997	Leu .....	D32/30
D. 384,451	9/1997	Leu .....	D32/30

D. 387,520	12/1997	Leu .....	D32/30
4,703,872	11/1987	Cornette et al. .	
4,835,804	6/1989	Arnau-Munoz et al. .	
4,944,165	7/1990	Leebeek et al. .	

**OTHER PUBLICATIONS**

Code Wash™ Ball, commercially available since approximately 1996.

*Primary Examiner*—Philip S. Hyder  
*Assistant Examiner*—Mitchell I. Siegel  
*Attorney, Agent, or Firm*—Stroock & Stroock & Lavan LLP

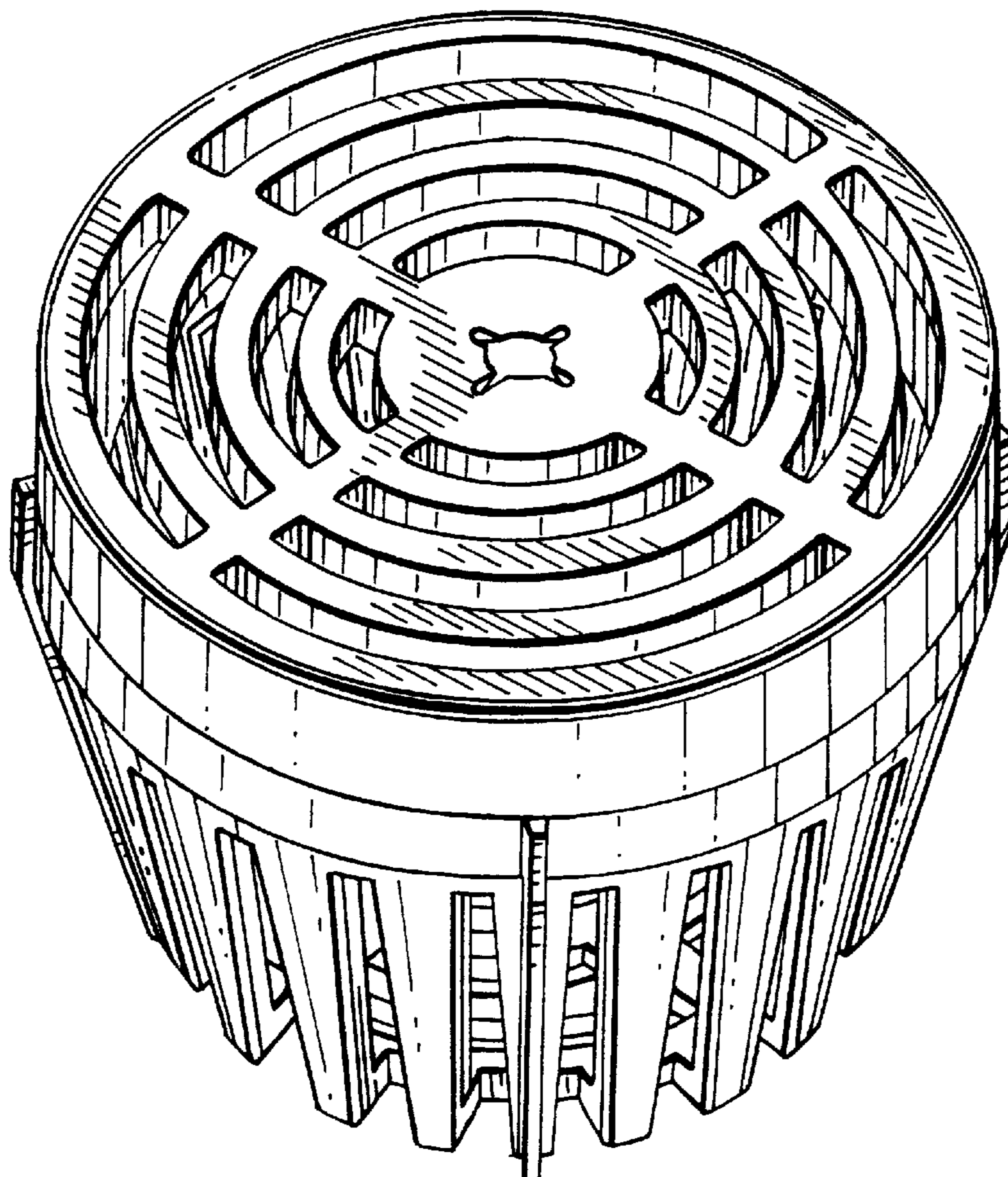
[57] **CLAIM**

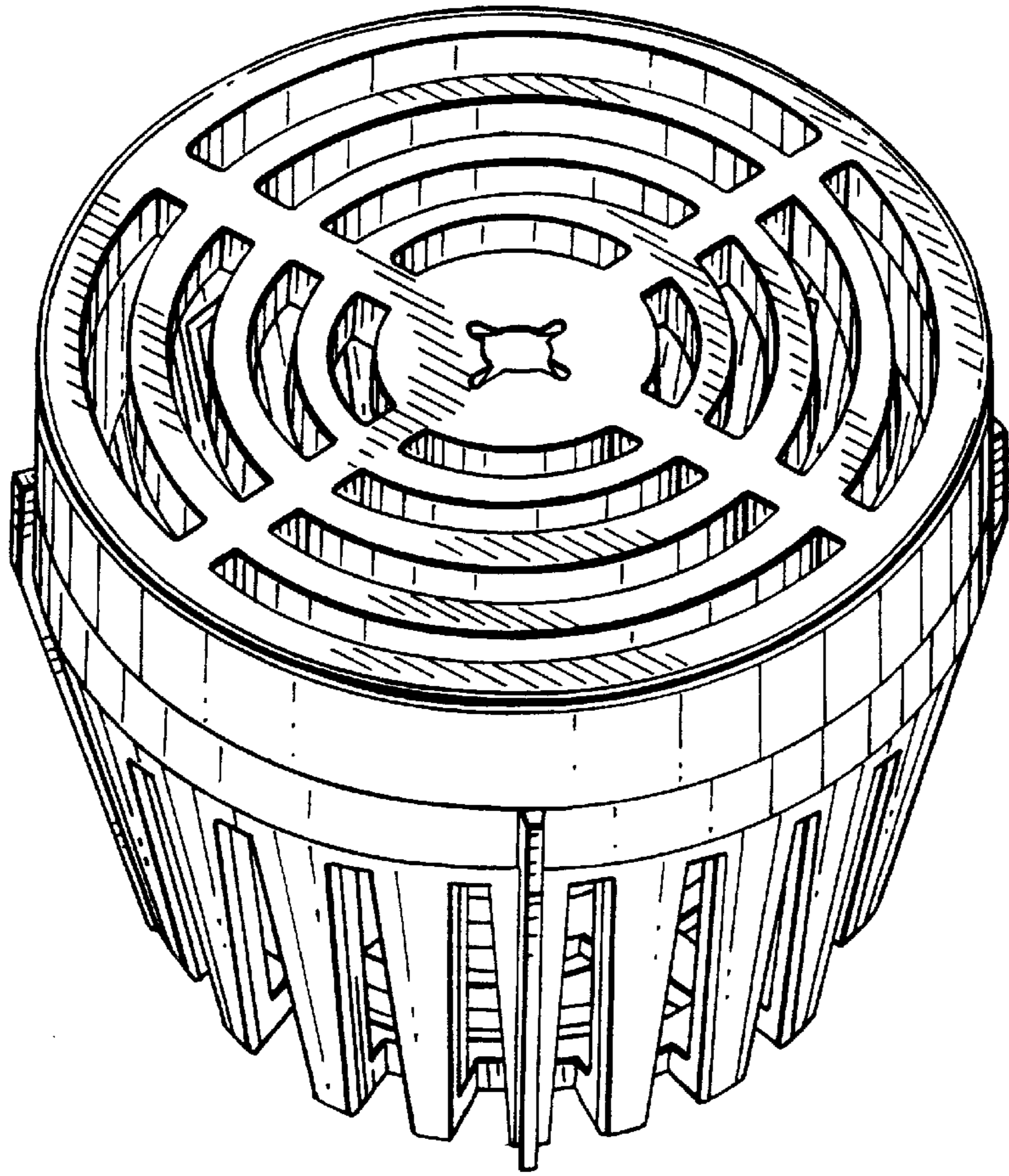
The ornamental design for a detergent dispenser, as shown and described.

**DESCRIPTION**

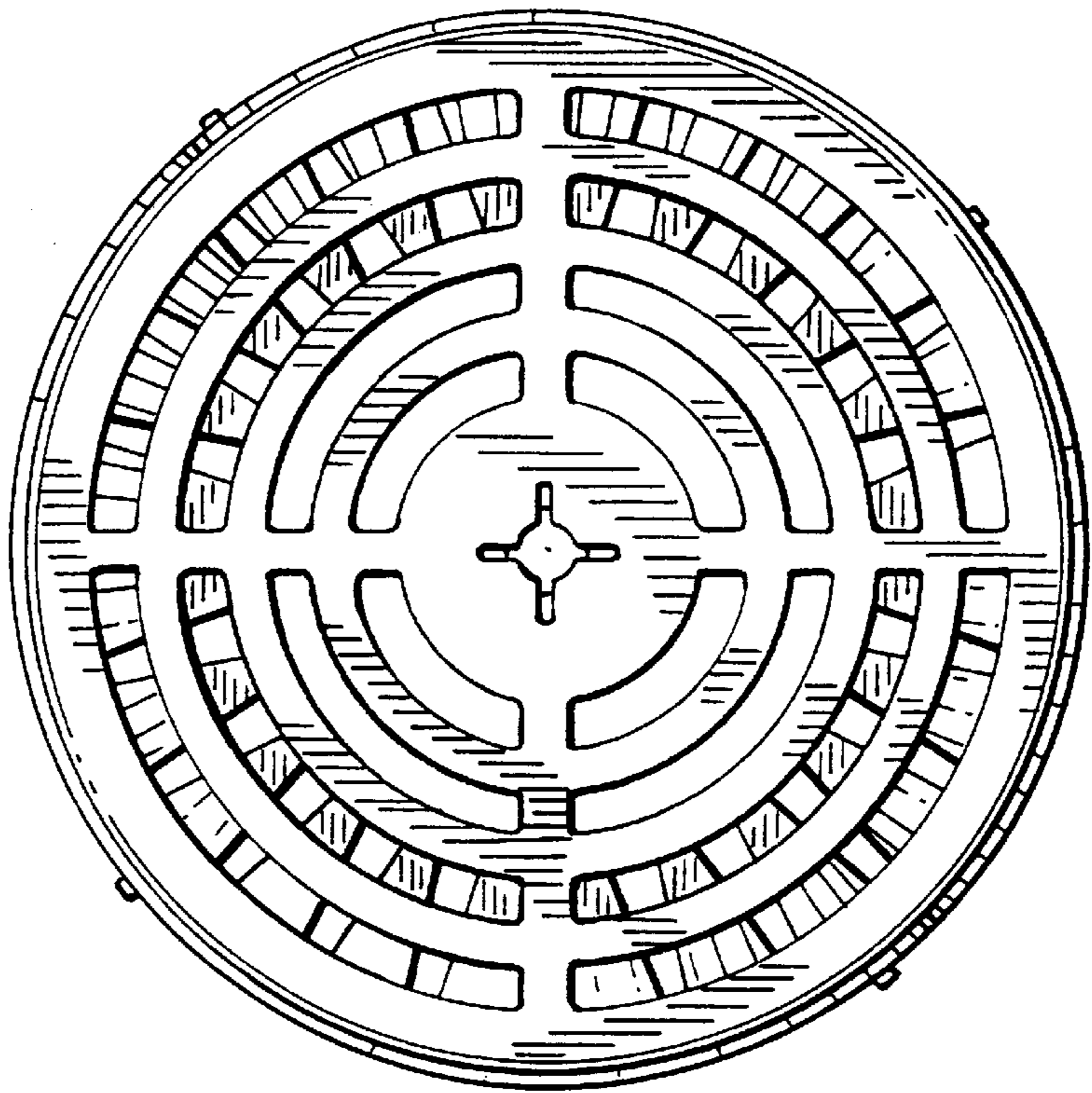
FIG. 1 is a perspective view of the detergent dispenser in accordance with the present invention;  
FIG. 2 is a top plan view of the detergent dispenser;  
FIG. 3 is a side elevational view of the detergent dispenser, the detergent dispenser being symmetrical from all sides; and,  
FIG. 4 is a bottom plan view of the detergent dispenser.

**1 Claim, 2 Drawing Sheets**



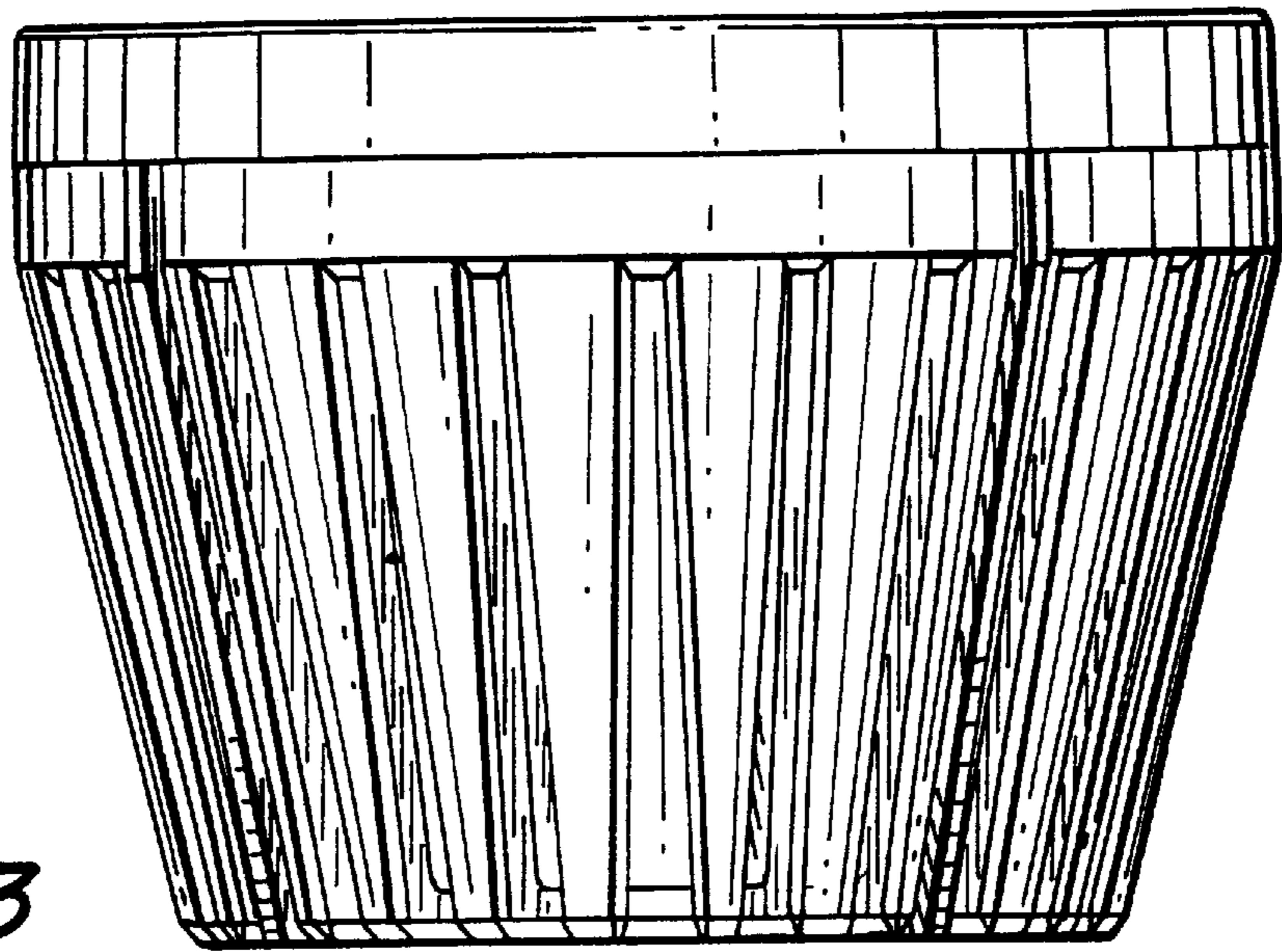


*FIG. 1*



*FIG. 2*

*FIG. 3*



*FIG. 4*

