



US00D406678S

United States Patent [19] Rittenhouse

[11] **Patent Number: Des. 406,678**

[45] **Date of Patent: **Mar. 9, 1999**

[54] **COMBINED BED AND CAT SCRATCHING POST**

[75] Inventor: **Jim Rittenhouse**, Clinton, N.J.

[73] Assignee: **J.W. Pet Company, Inc.**, East Rutherford, N.J.

[**] Term: **14 Years**

[21] Appl. No.: **79,849**

[22] Filed: **Nov. 24, 1997**

[51] **LOC (6) Cl.** **30-02**

[52] **U.S. Cl.** **D30/108; D30/118**

[58] **Field of Search** D6/474; D30/108-109, D30/117-119, 158, 160-161, 199; 119/537, 468, 51.01, 484, 28.5, 706, 482, 847, 498, 412, 168, 496-497, 479; 108/156; 5/413 R

[56] **References Cited**

U.S. PATENT DOCUMENTS

D. 207,031	2/1967	Jerore	D30/161
D. 223,760	6/1972	Chestine	D30/160
D. 233,844	12/1974	Tucker	D30/160
D. 257,293	10/1980	Michalski	D30/160
D. 261,186	10/1981	Michalski	D30/160
D. 265,139	6/1982	Salvato	D30/160
D. 364,489	11/1995	Cook	D30/160
D. 369,885	5/1996	Zeiler	D30/158
D. 370,093	5/1996	DeLuca	D30/160
2,143,592	1/1939	Baldeck	D6/474
3,581,707	6/1971	Cook	119/482
4,301,766	11/1981	Piccone	119/706
4,497,279	2/1985	Bell	119/706
5,002,012	3/1991	Pierrot	119/28.5
5,465,682	11/1995	Chavallo, Jr.	119/498
5,577,465	11/1996	Cook	119/498
5,577,466	11/1996	Luxford	119/706

FOREIGN PATENT DOCUMENTS

801001728	12/1981	Netherlands	119/706
-----------	---------	-------------	-------	---------

OTHER PUBLICATIONS

Discount Master Animal Care Catalog, p. 72, The Amboseli and The Zambezi Cat Furniture; Pet Catalogs Box #10; Sep. 1996.

Cats, Cats & More Cats Catalog, p. 30; A Cat Playground; Pet Catalogs Box #10, Sep. 1996.

Pedigrees the pet catalog; p. 34; #H45-0267; Kitty Gym Jr.; Pet Catalog Box #10, Sep. 1996.

Cat Craft Company; Cat Trees and Cat toys, Aug. 1995.

Cat Craft Company; Play Tunnel and One Story Condo Tower, Aug. 1995.

Cat House Originals, Inc. brochure; Feline Furniture, Apr. 1992.

Primary Examiner—Cathy Anne MacCormac
Attorney, Agent, or Firm—Helfgott & Karas, P.C.

[57] **CLAIM**

The ornamental design for combined bed and cat scratching post, as shown and described.

DESCRIPTION

FIG. 1 is a perspective view of the combined bed and cat scratching post showing the new design;

FIG. 2 is a top view thereof;

FIG. 3 is a front view thereof;

FIG. 4 is a bottom view thereof;

FIG. 5 is a left side view thereof;

FIG. 6 is a right side view thereof;

FIG. 7 is a rear view thereof;

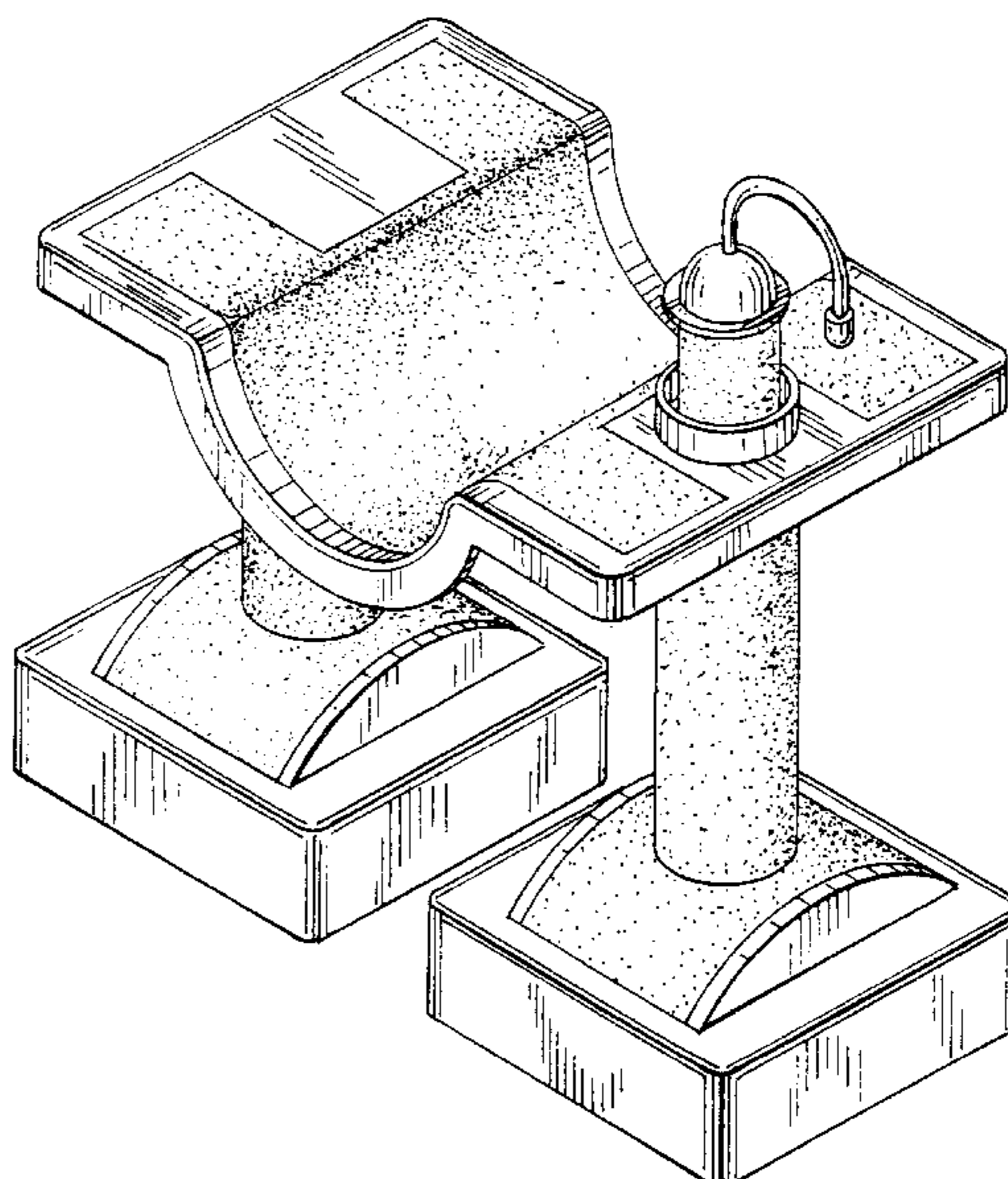
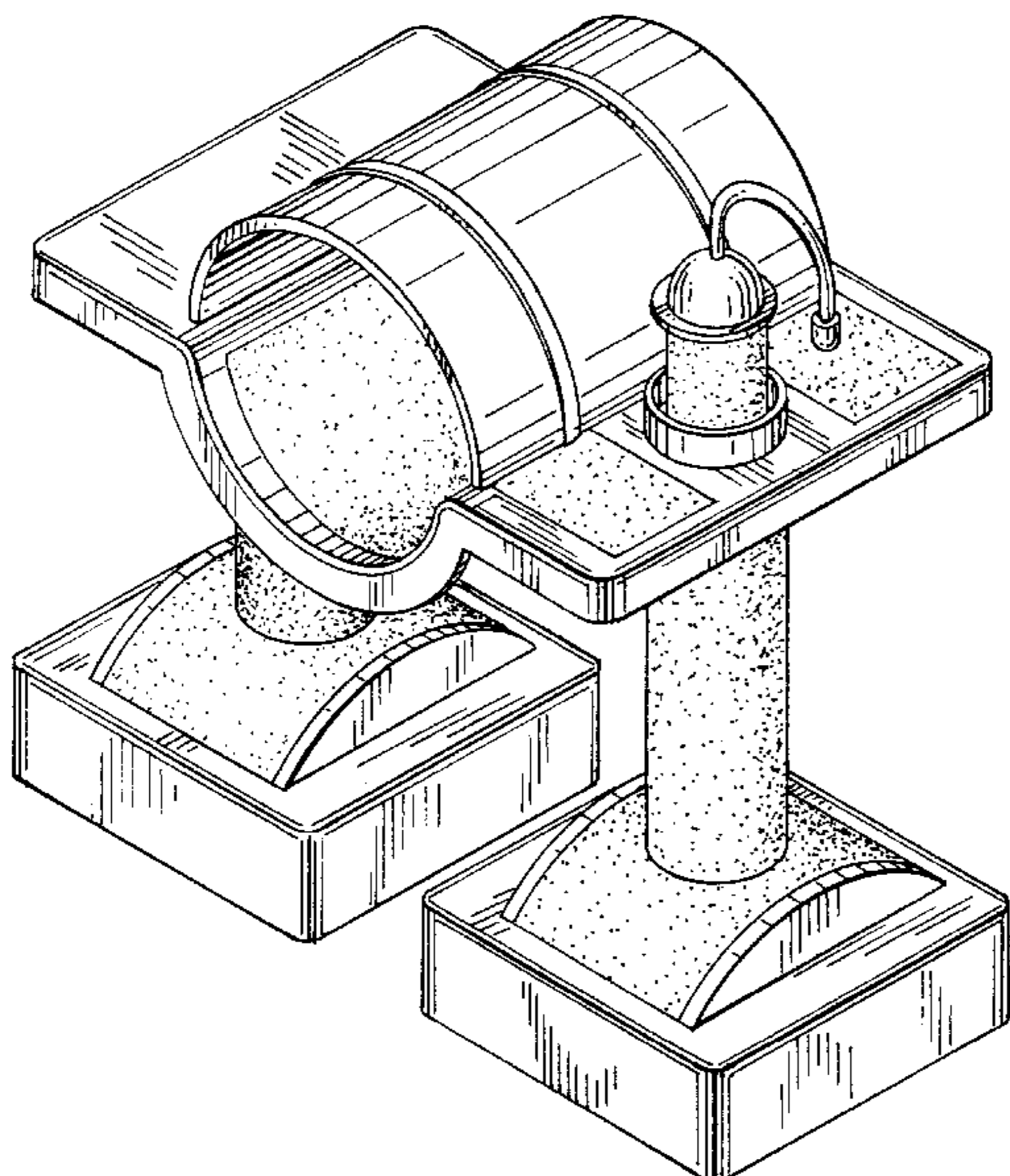
FIG. 8 is a perspective view of a second embodiment of FIG. 1;

FIG. 9 is a top view of FIG. 8;

FIG. 10 is a front view of FIG. 8; and,

FIG. 11 is a right side view of FIG. 8.

1 Claim, 5 Drawing Sheets



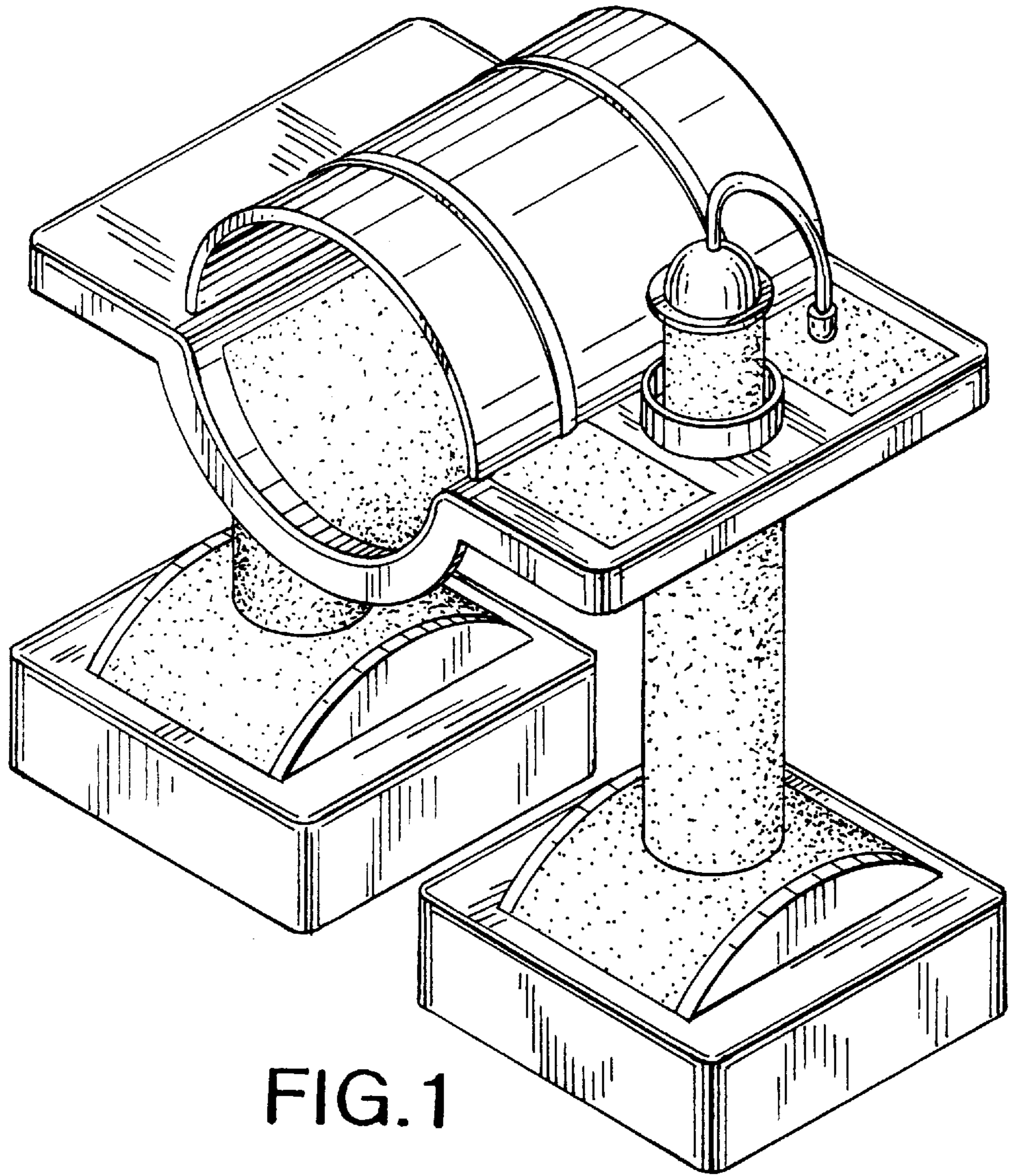


FIG. 1

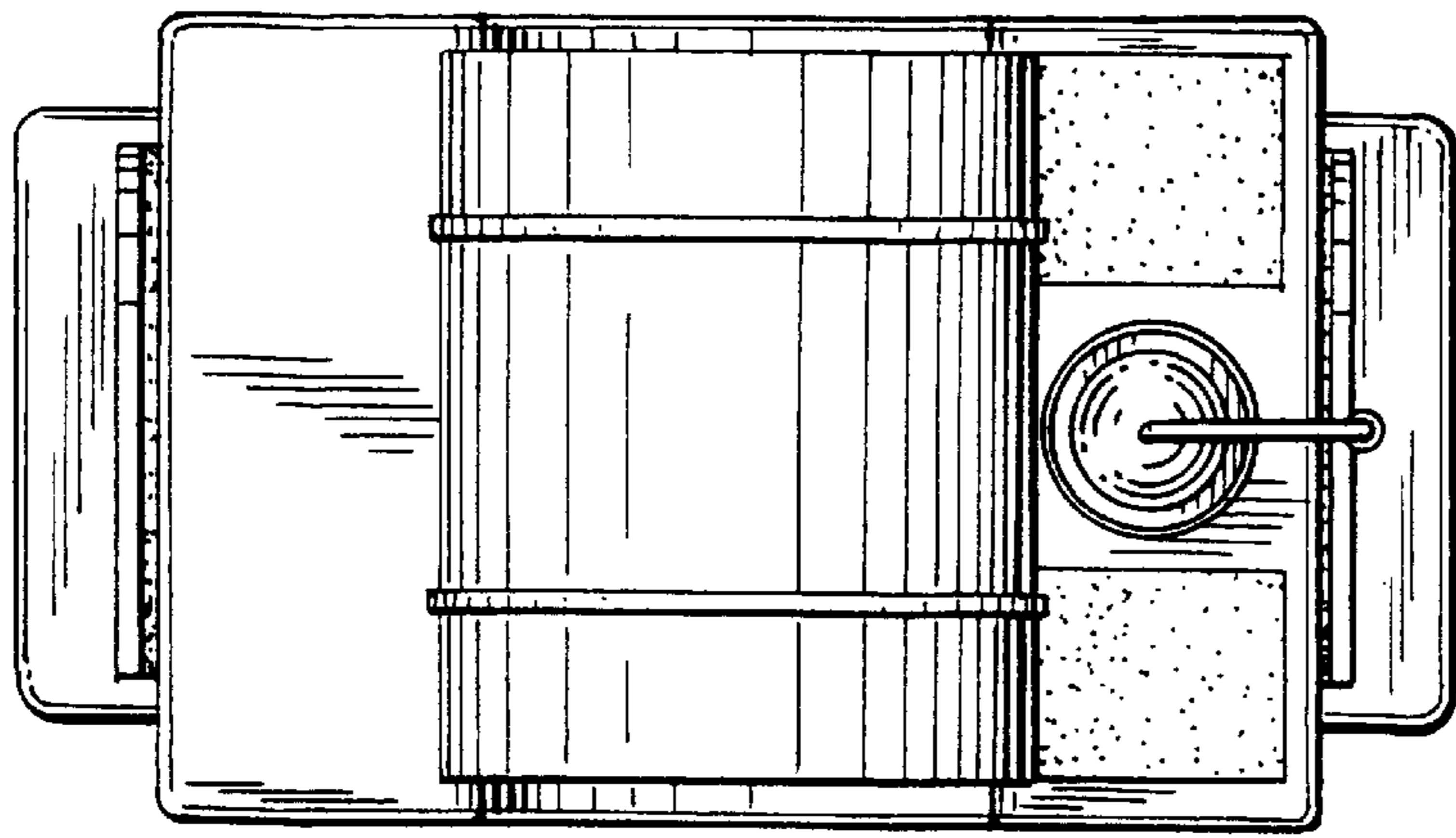


FIG. 2

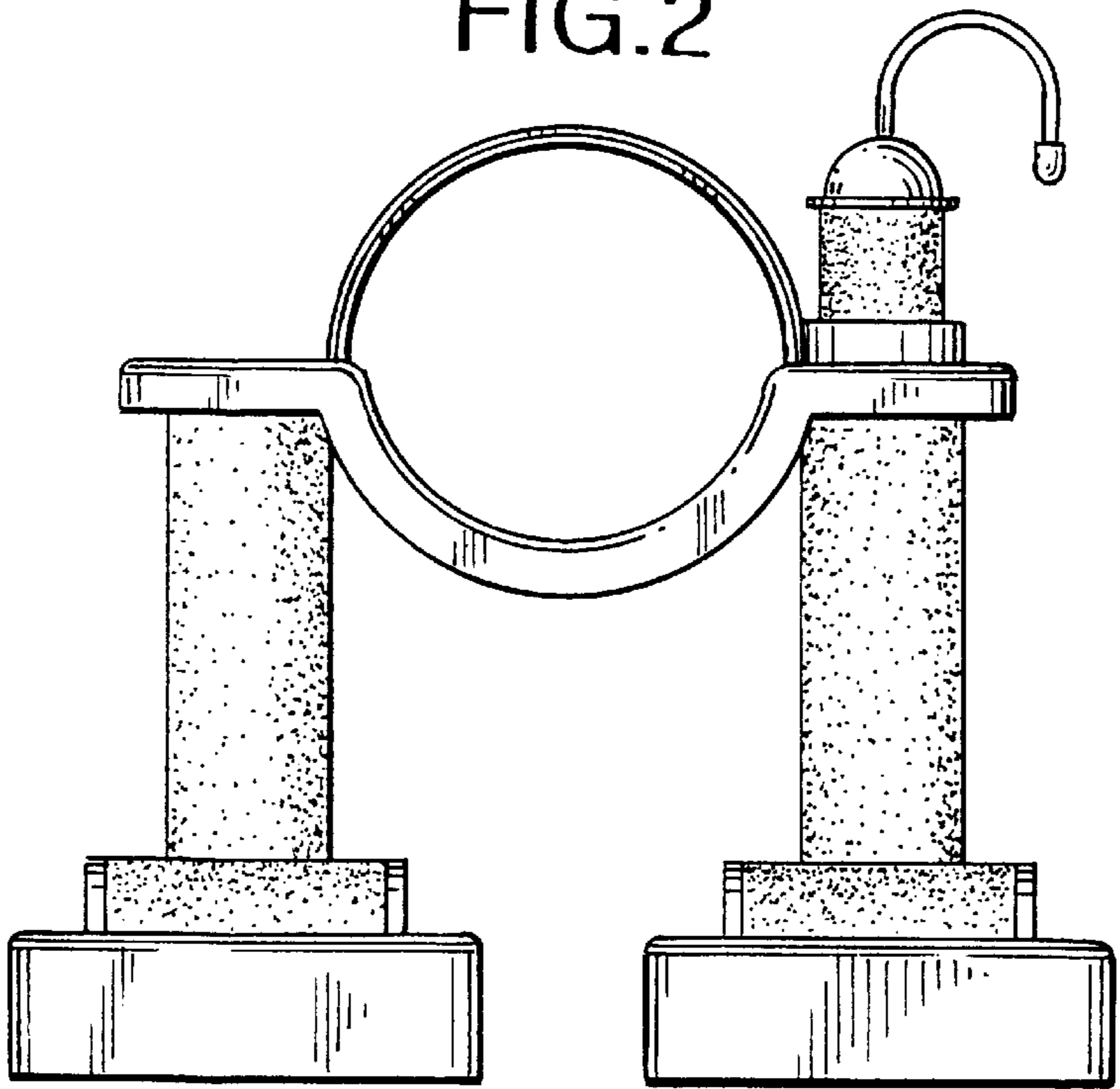


FIG. 3

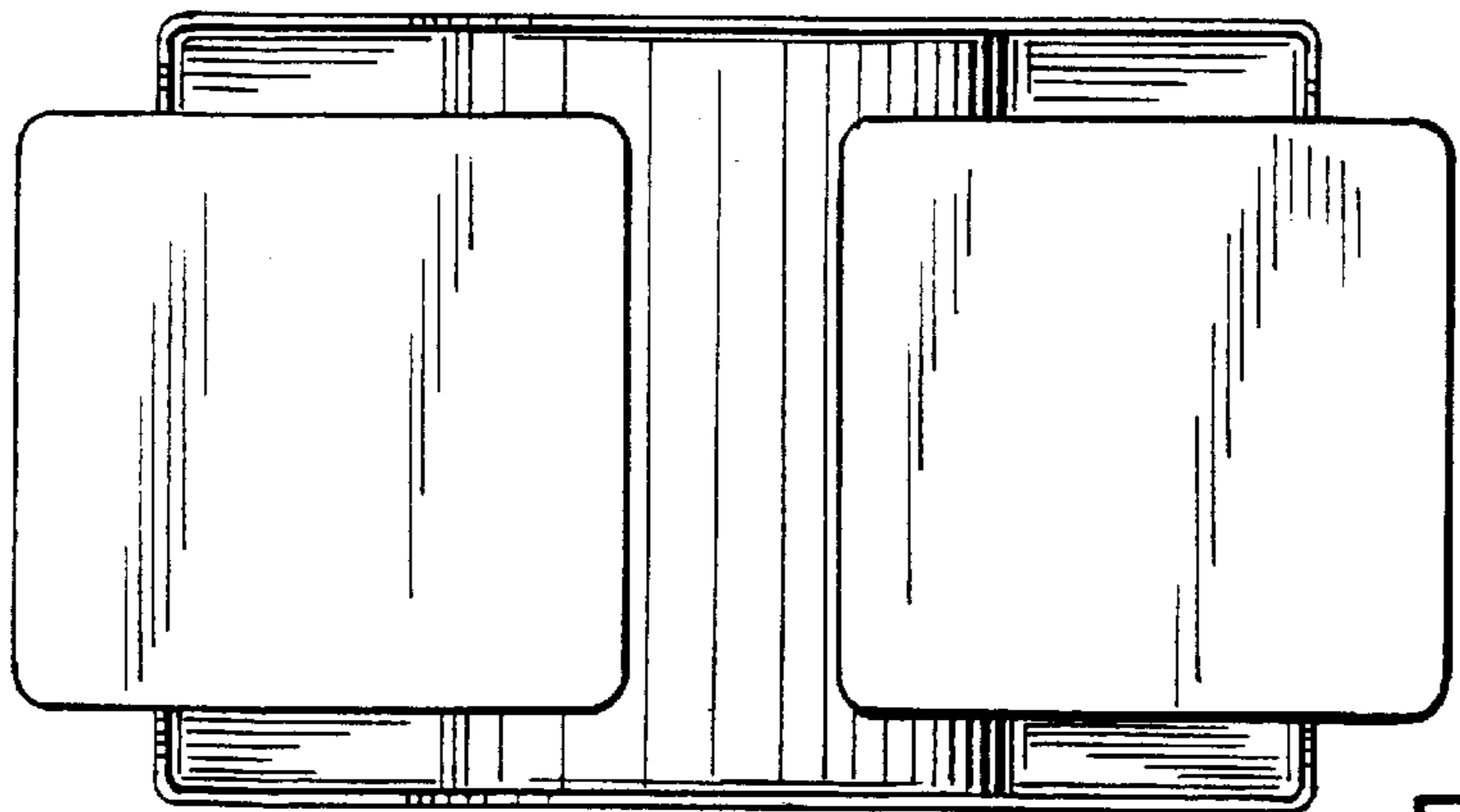


FIG. 4

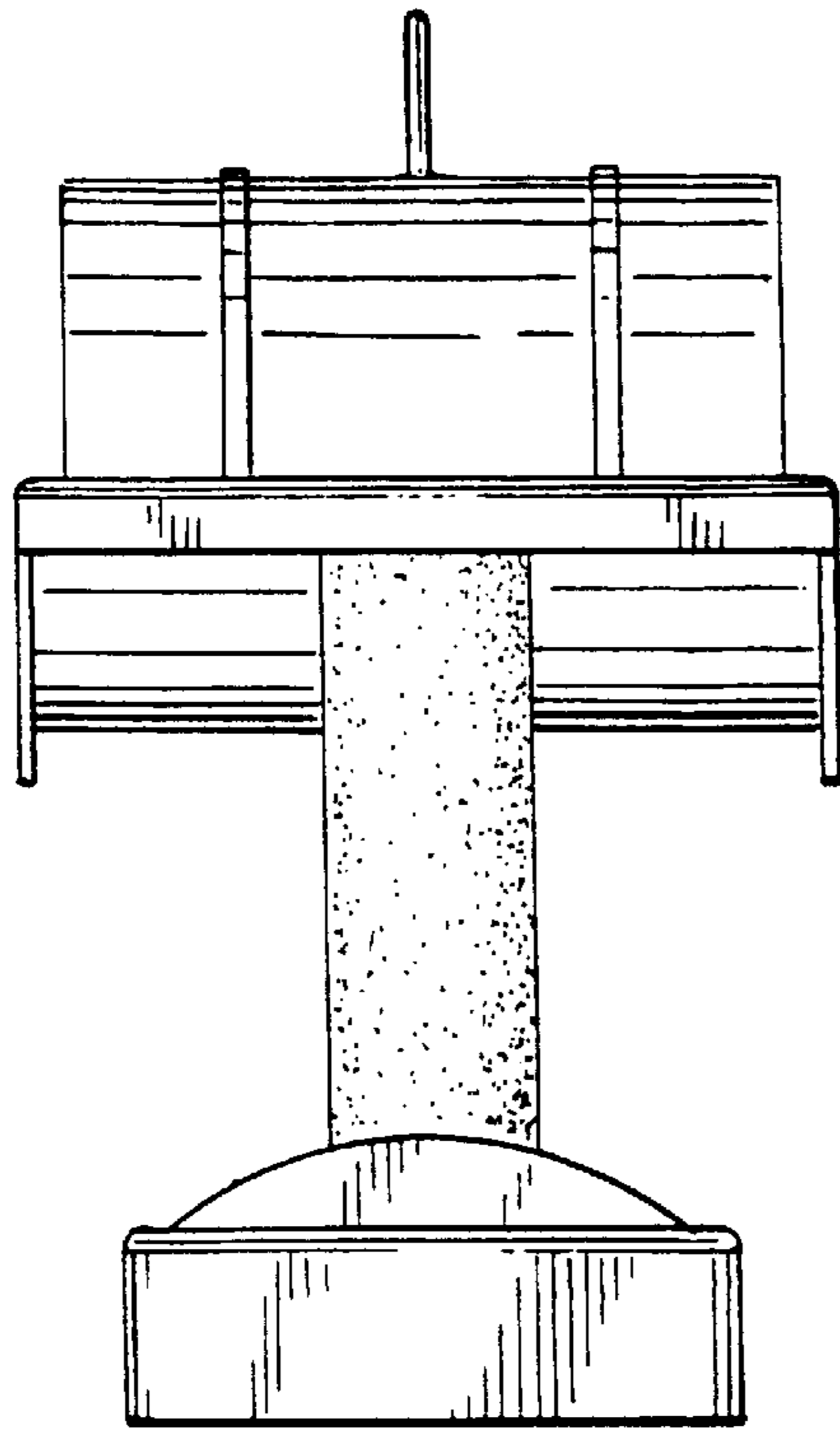


FIG. 5

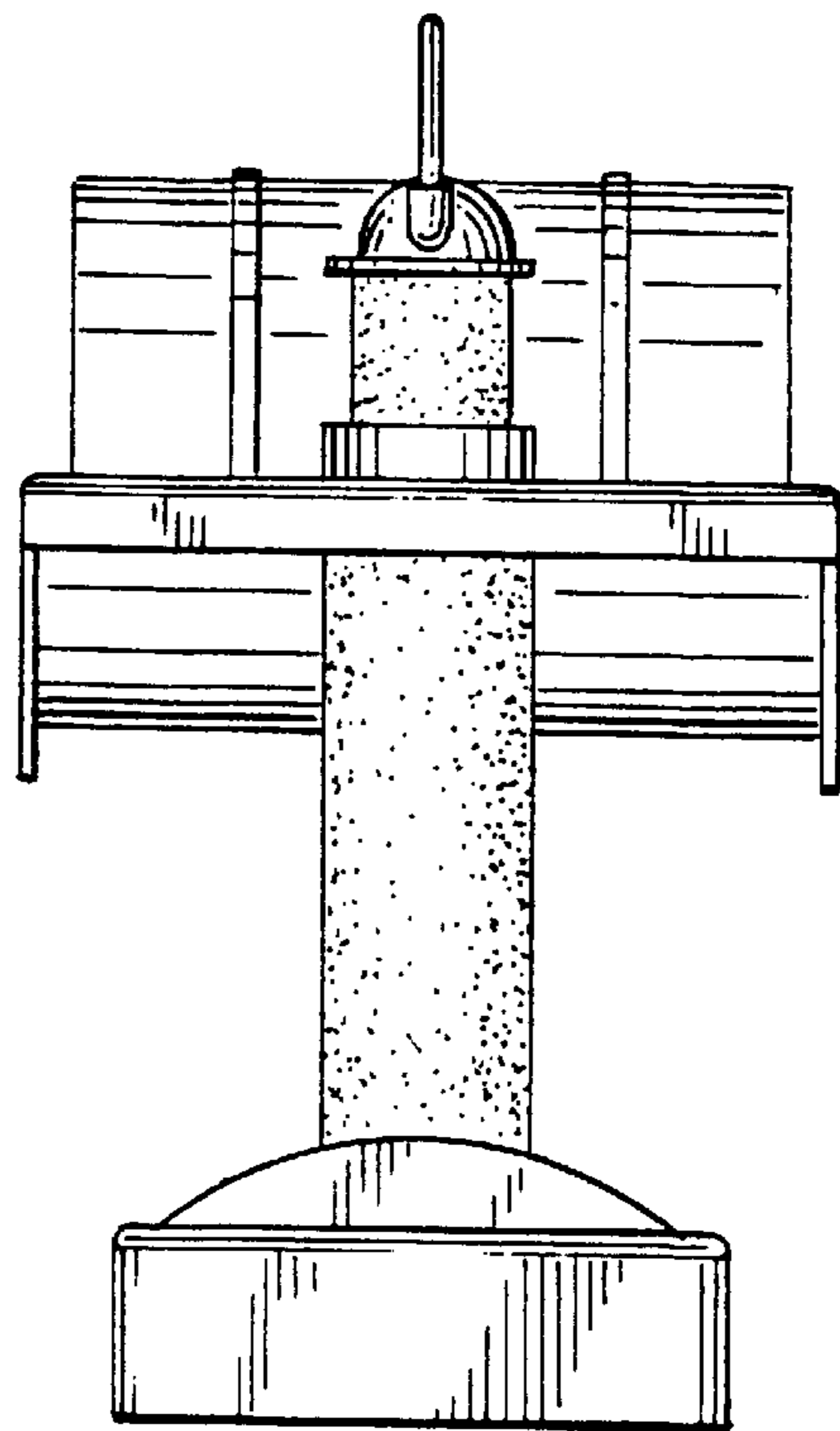


FIG. 6

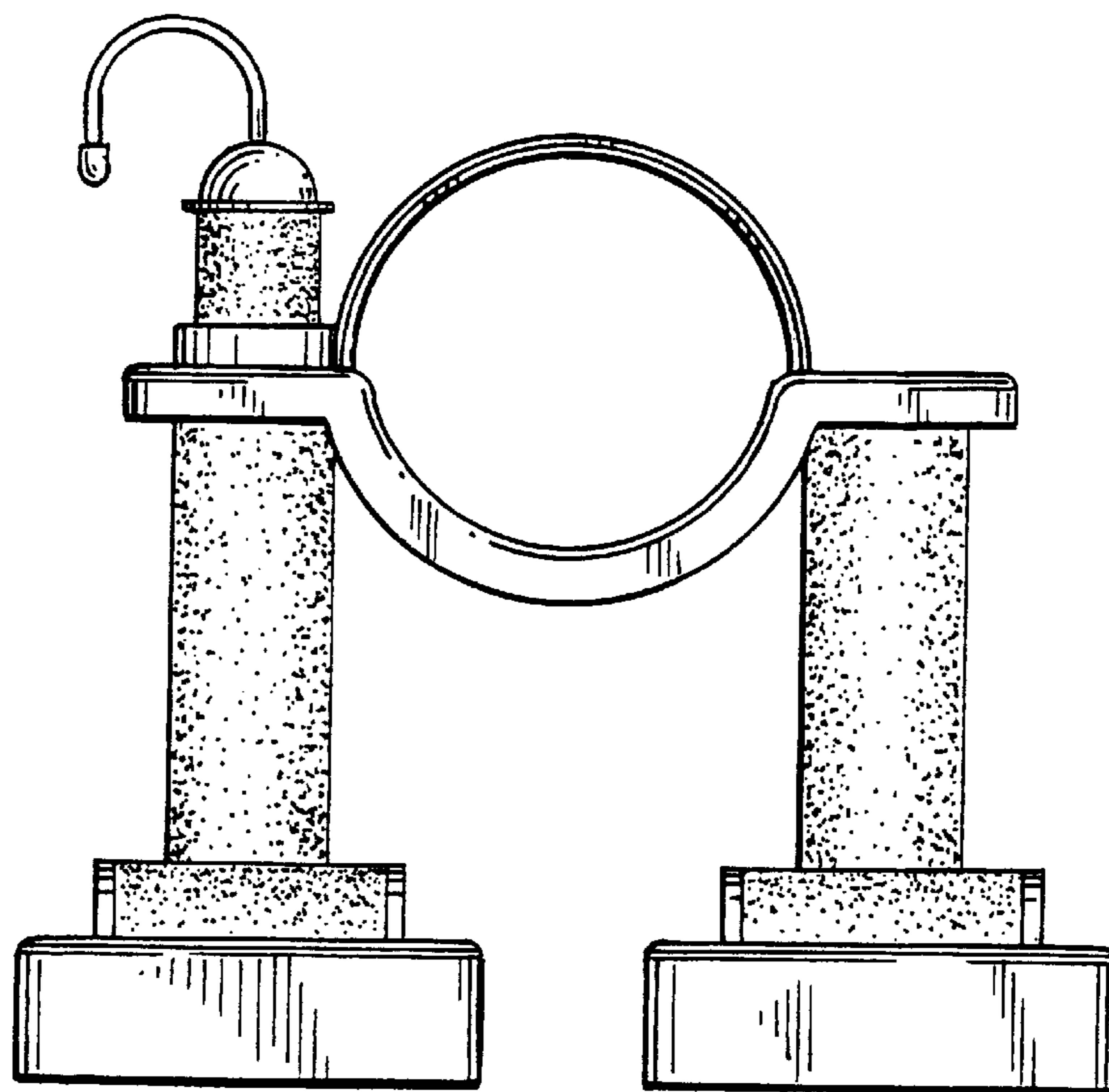


FIG. 7

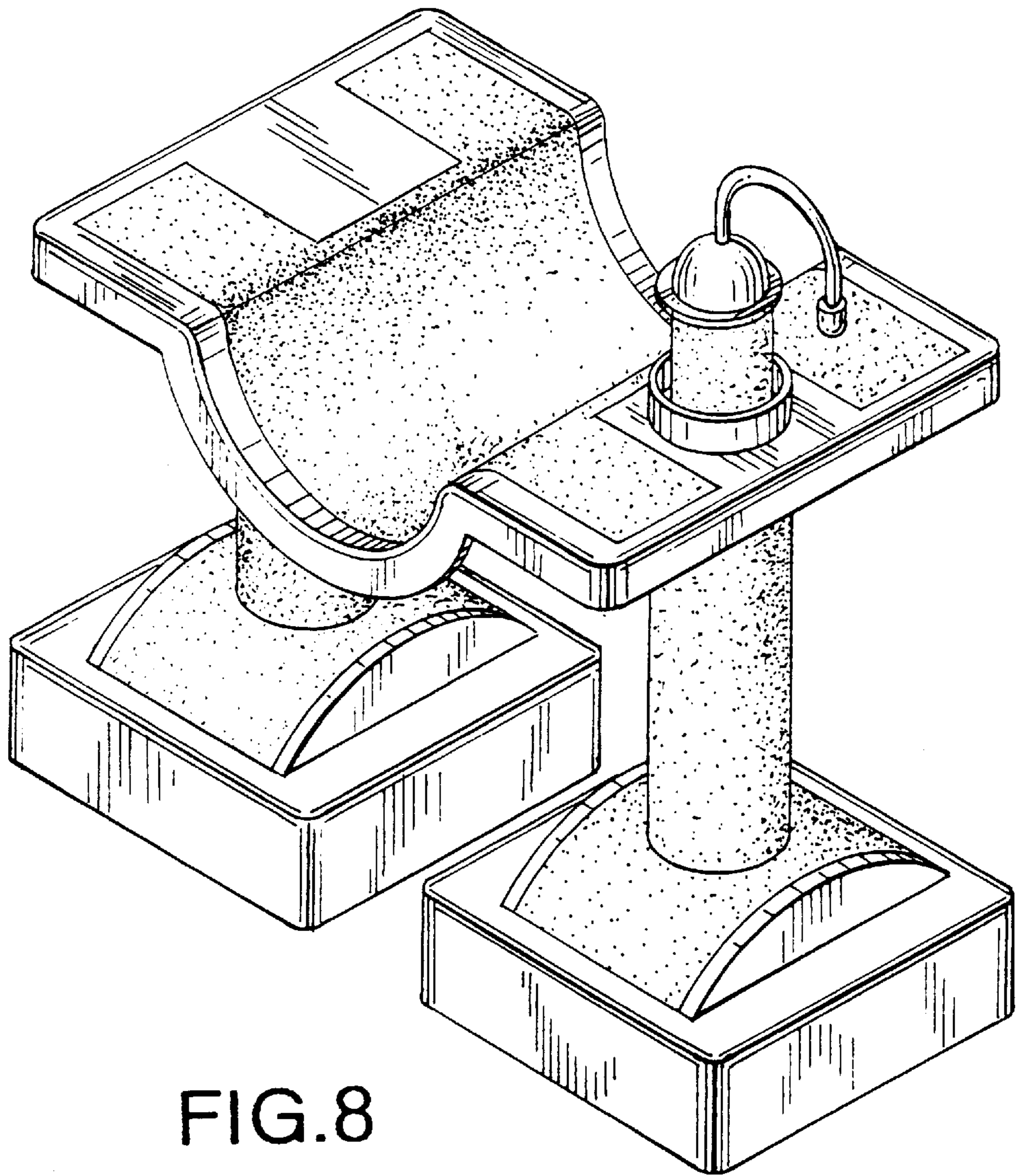


FIG. 8

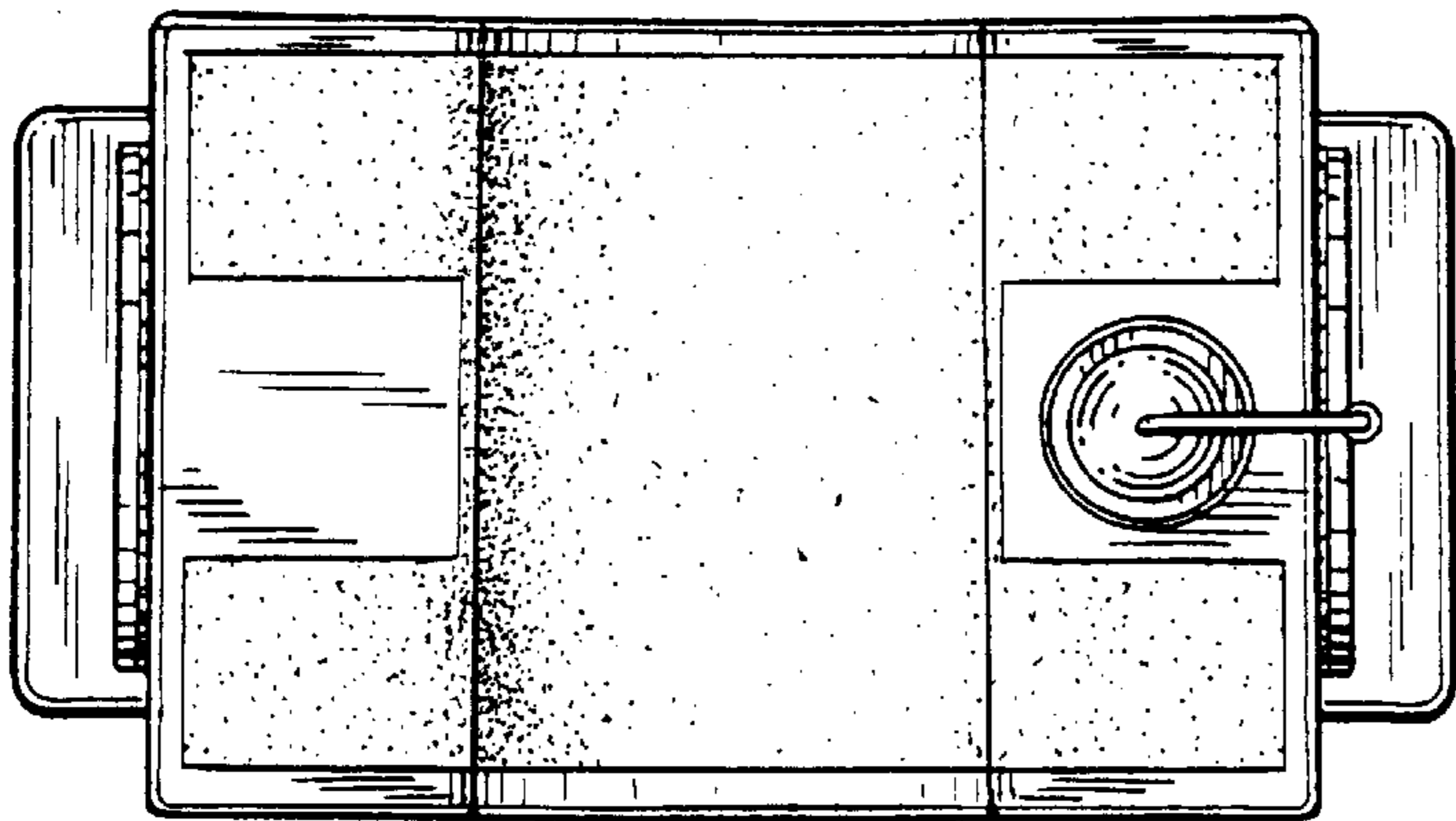


FIG. 9

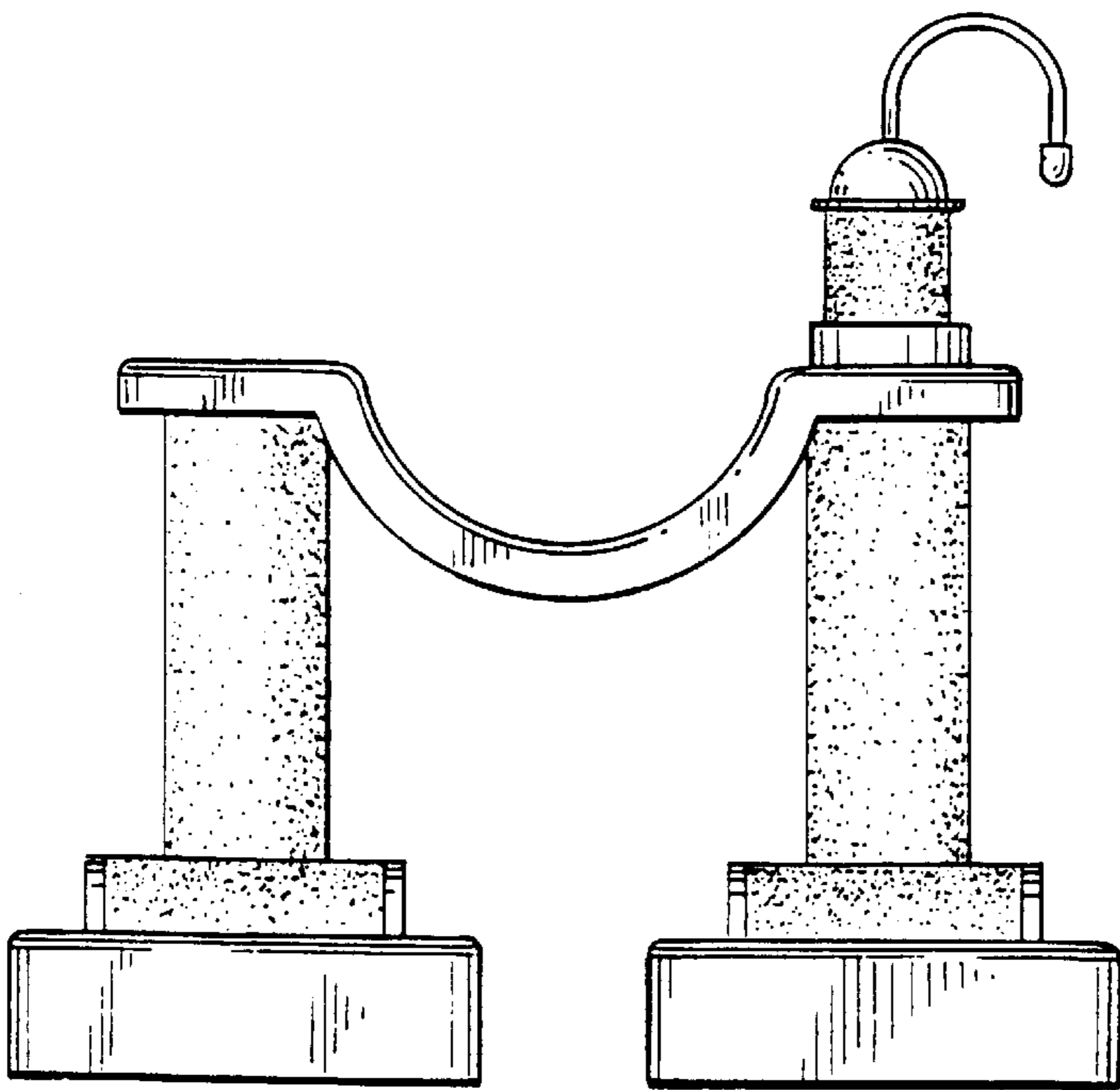


FIG. 10

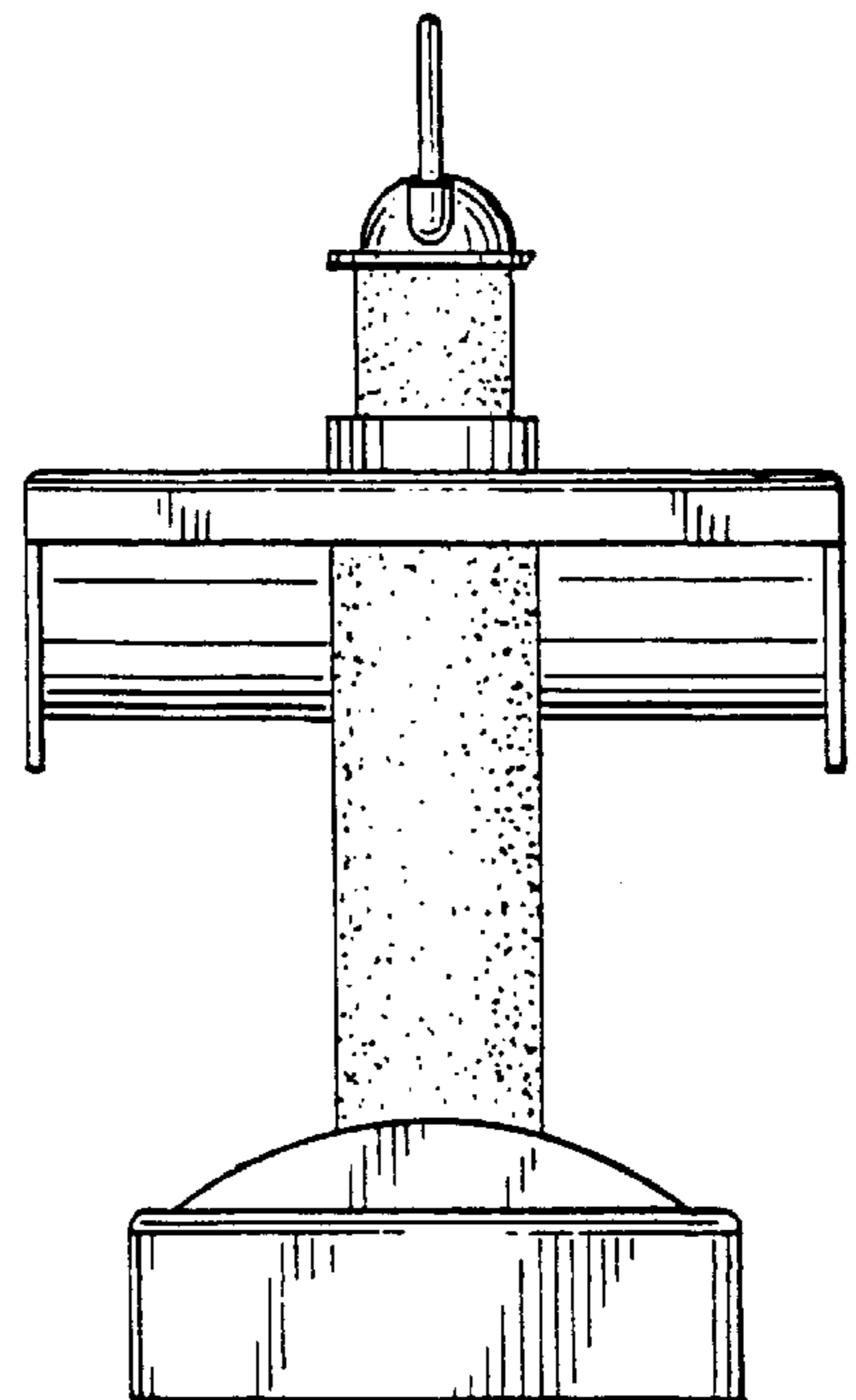


FIG. 11