



US00D406676S

United States Patent [19] Henry

[11] Patent Number: **Des. 406,676**

[45] Date of Patent: ****Mar. 9, 1999**

[54] **HAND-HELD LOTION DISPENSER**

[76] Inventor: **Murray C. Henry**, 1150 E. Amado Rd., 17B2, Palm Springs, Calif. 92262

[**] Term: **14 Years**

[21] Appl. No.: **78,071**

[22] Filed: **Oct. 16, 1997**

[51] **LOC (6) Cl.** **28-02**

[52] **U.S. Cl.** **D28/7**

[58] **Field of Search** D28/7, 63, 99, D28/9; D24/200, 211, 214; D4/114, 116, 120; 132/320, 333, 112-118; 401/6, 268-291, 28, 183, 209, 220; 601/94, 113, 131, 154, 155

[56] **References Cited**

U.S. PATENT DOCUMENTS

D. 46,240	8/1914	Williams	D24/211
D. 197,762	3/1964	Lussier et al.	D4/114
D. 262,908	2/1982	Pesco	D24/211
1,191,578	7/1916	Englund	401/28
2,930,060	3/1960	Pearce	401/184
4,037,977	7/1977	Ronai	401/209
5,125,757	6/1992	Morrison et al.	401/21
5,131,384	7/1992	Obagi	601/131

FOREIGN PATENT DOCUMENTS

1176734	4/1959	France	601/134
---------	--------	--------	-------	---------

461181	12/1948	Italy	401/28
503763	2/1956	Italy	601/131
209772	7/1940	Switzerland	401/264
641656	3/1984	Switzerland	401/28

Primary Examiner—Ted Shooman
Assistant Examiner—C. Tuttle
Attorney, Agent, or Firm—Ingrid McTaggart

[57] **CLAIM**

I claim the ornamental design for a hand-held lotion dispenser, as shown and described.

DESCRIPTION

FIG. 1 is an isometric view of the hand-held lotion dispenser, showing my new design;
FIG. 2 is a top plan view thereof;
FIG. 3 is a front elevational view thereof;
FIG. 4 is a bottom plan view thereof;
FIG. 5 is a rear elevational view thereof;
FIG. 6 is a left side elevational view thereof, the right side elevational view being a mirror image thereof;
FIG. 7 is an isometric view of another embodiment of the hand-held lotion dispenser, showing my new design;
FIG. 8 is a top plan view thereof;
FIG. 9 is a front elevational view thereof;
FIG. 10 is a bottom plan view thereof;
FIG. 11 is a rear elevational view thereof; and,
FIG. 12 is a left side elevational view thereof, the right side elevational view being a mirror image thereof.

1 Claim, 2 Drawing Sheets

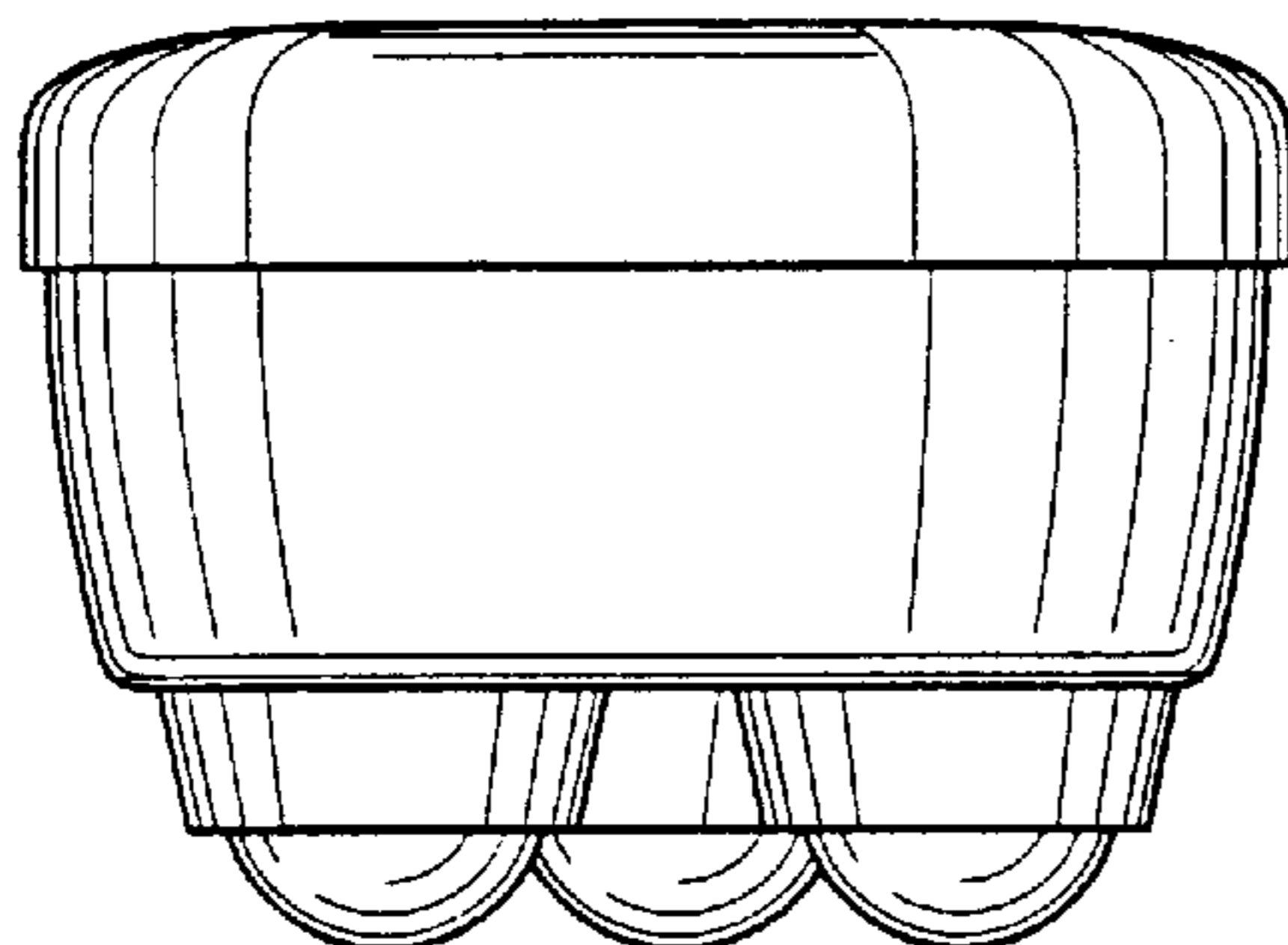
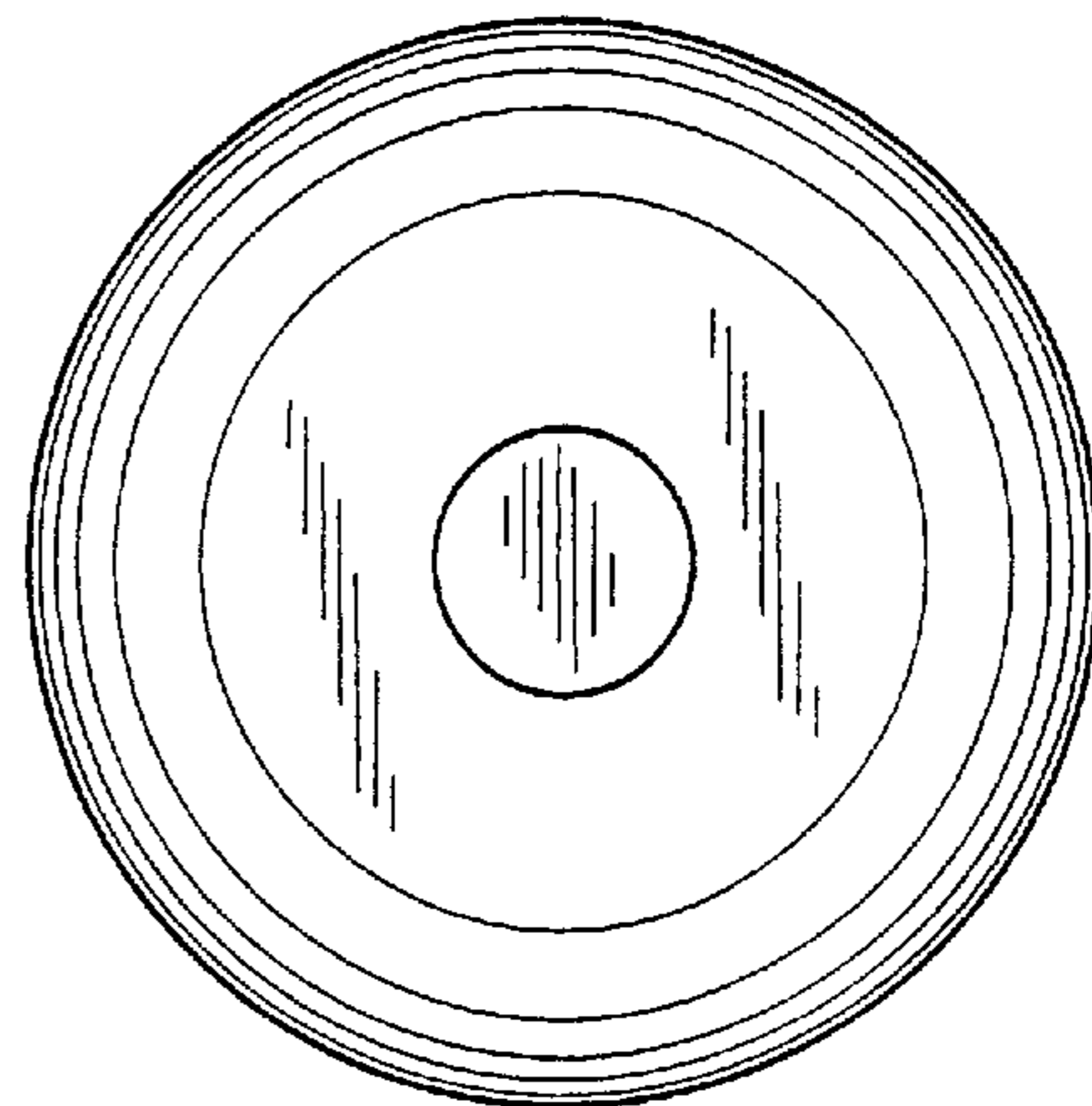
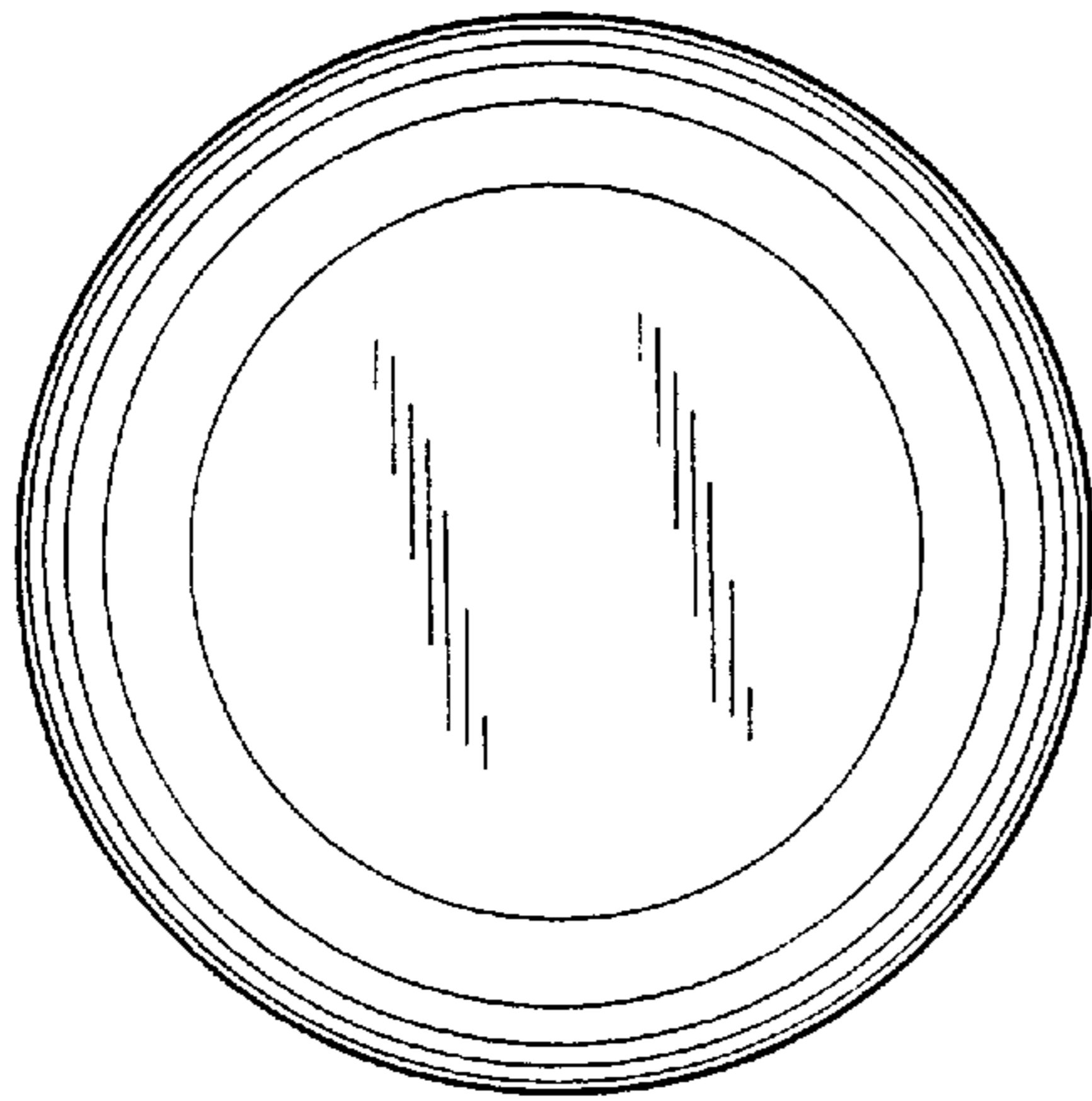


FIG. 2

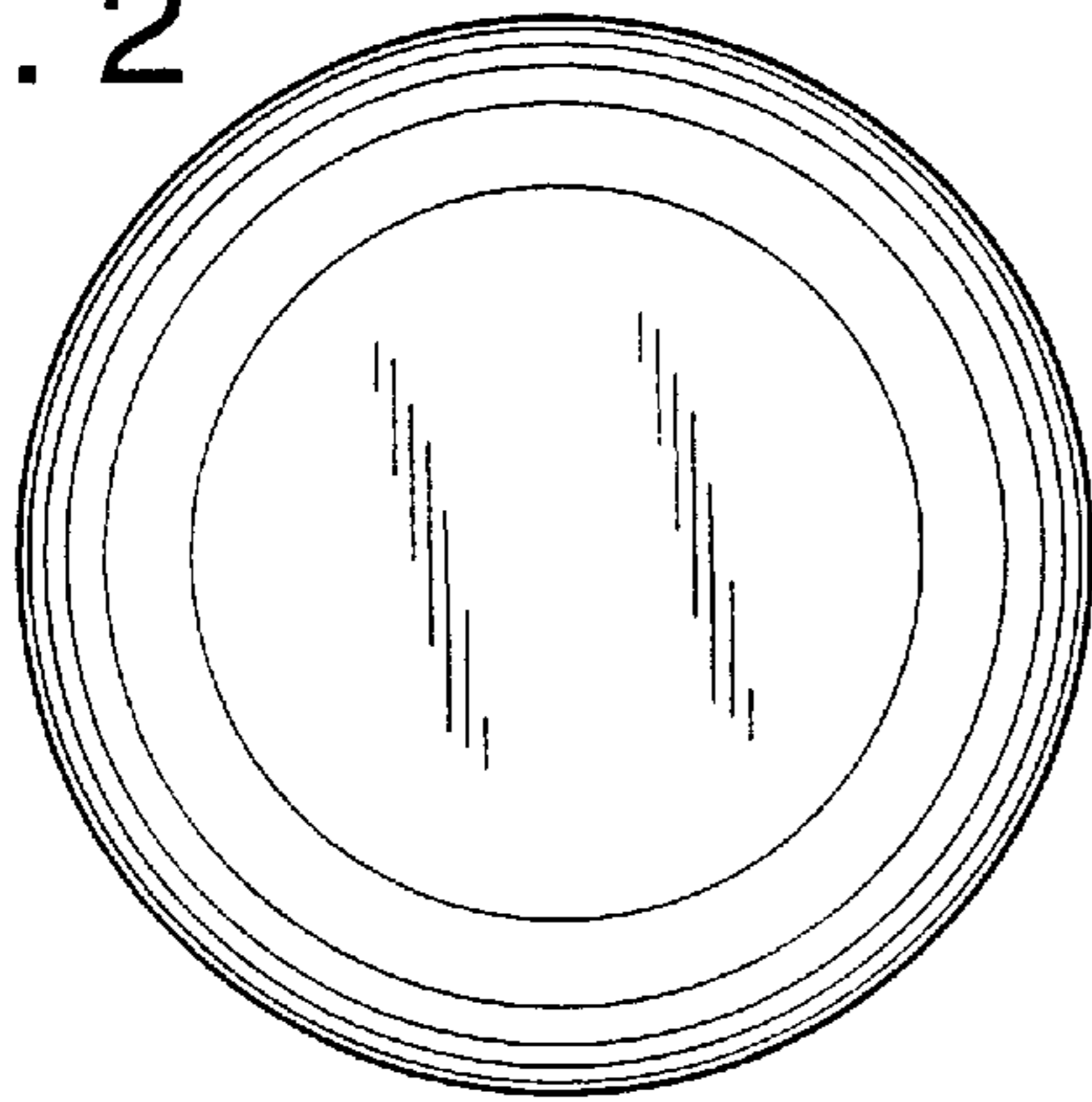


FIG. 1

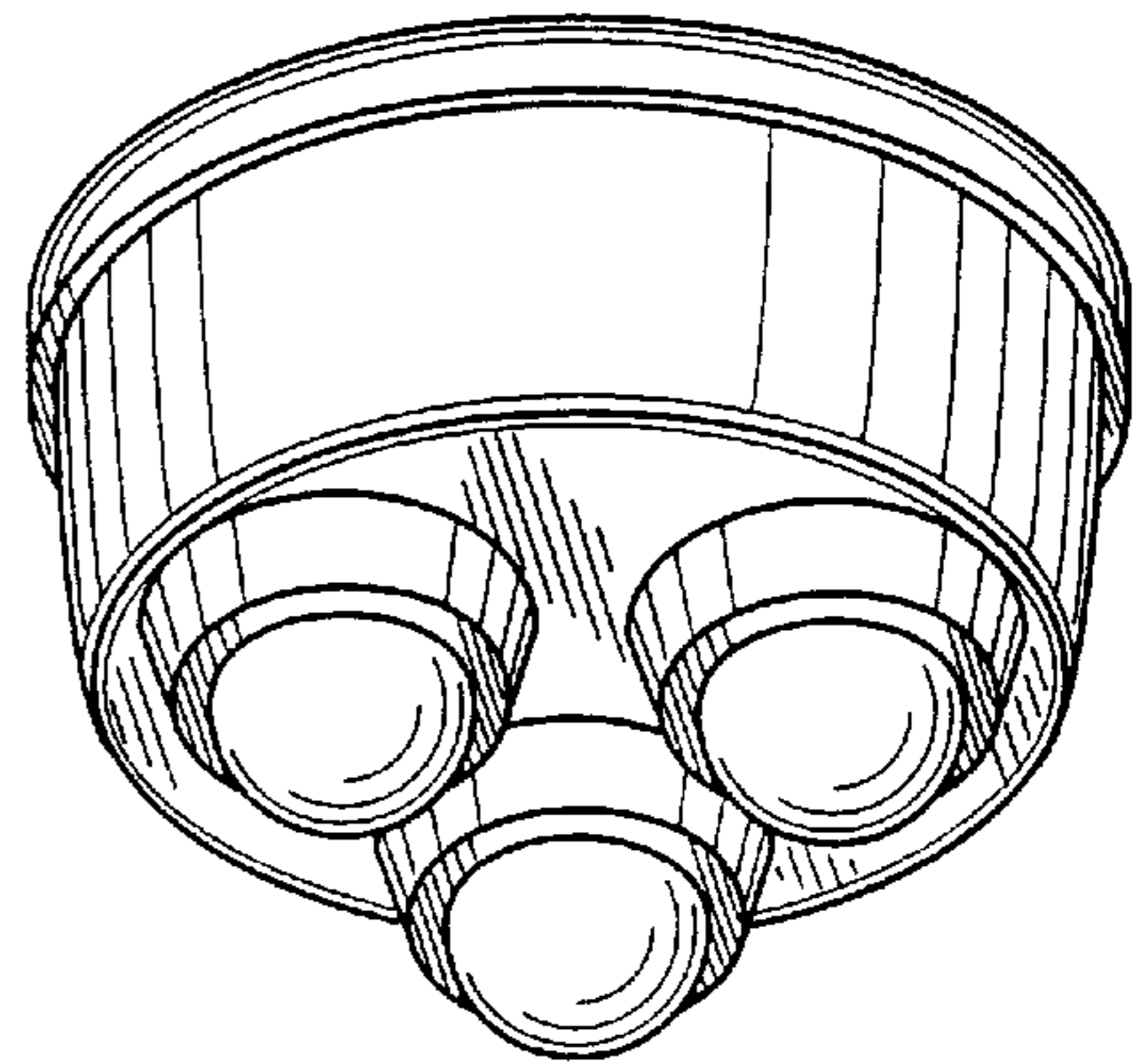


FIG. 3

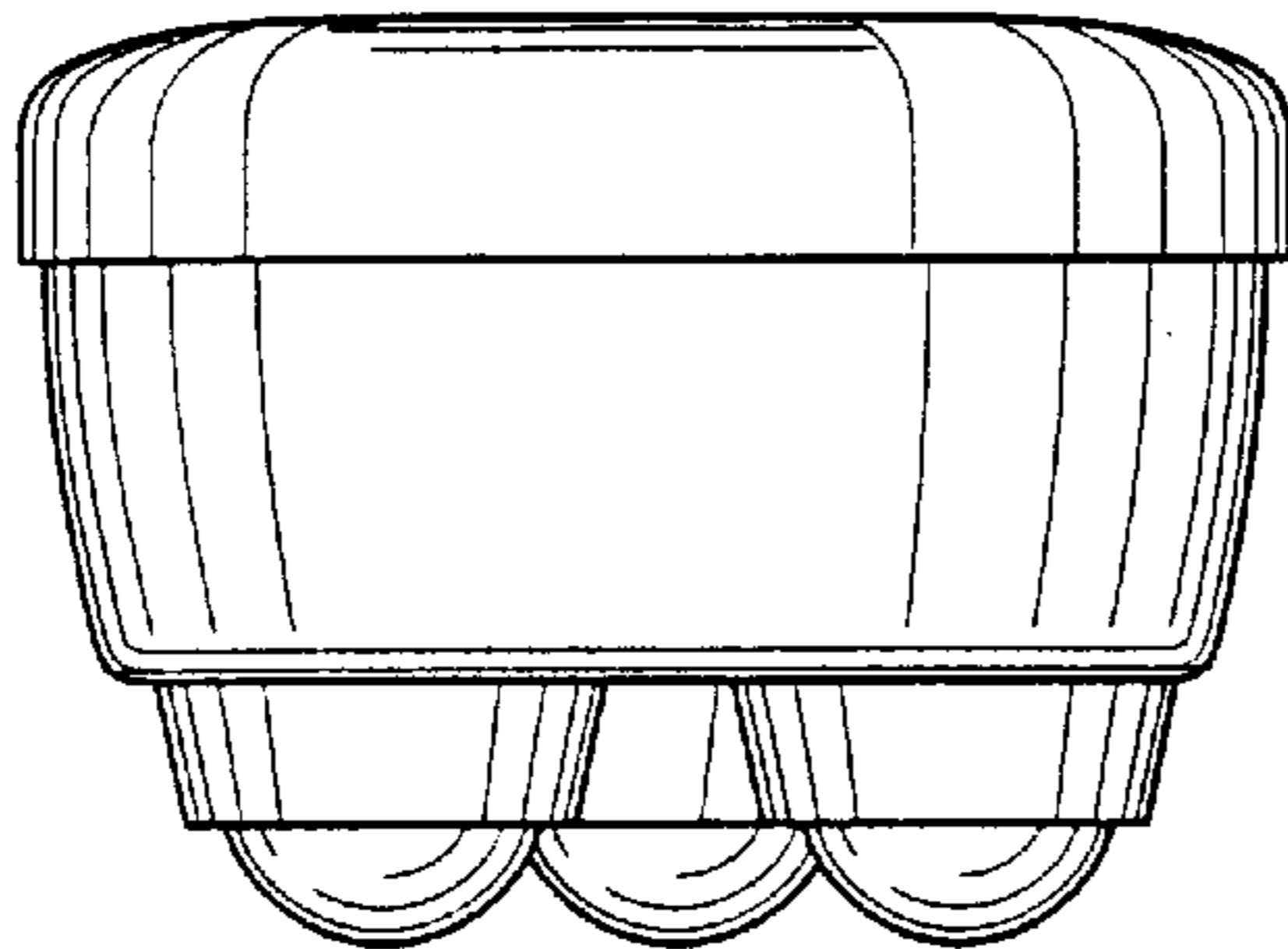


FIG. 4

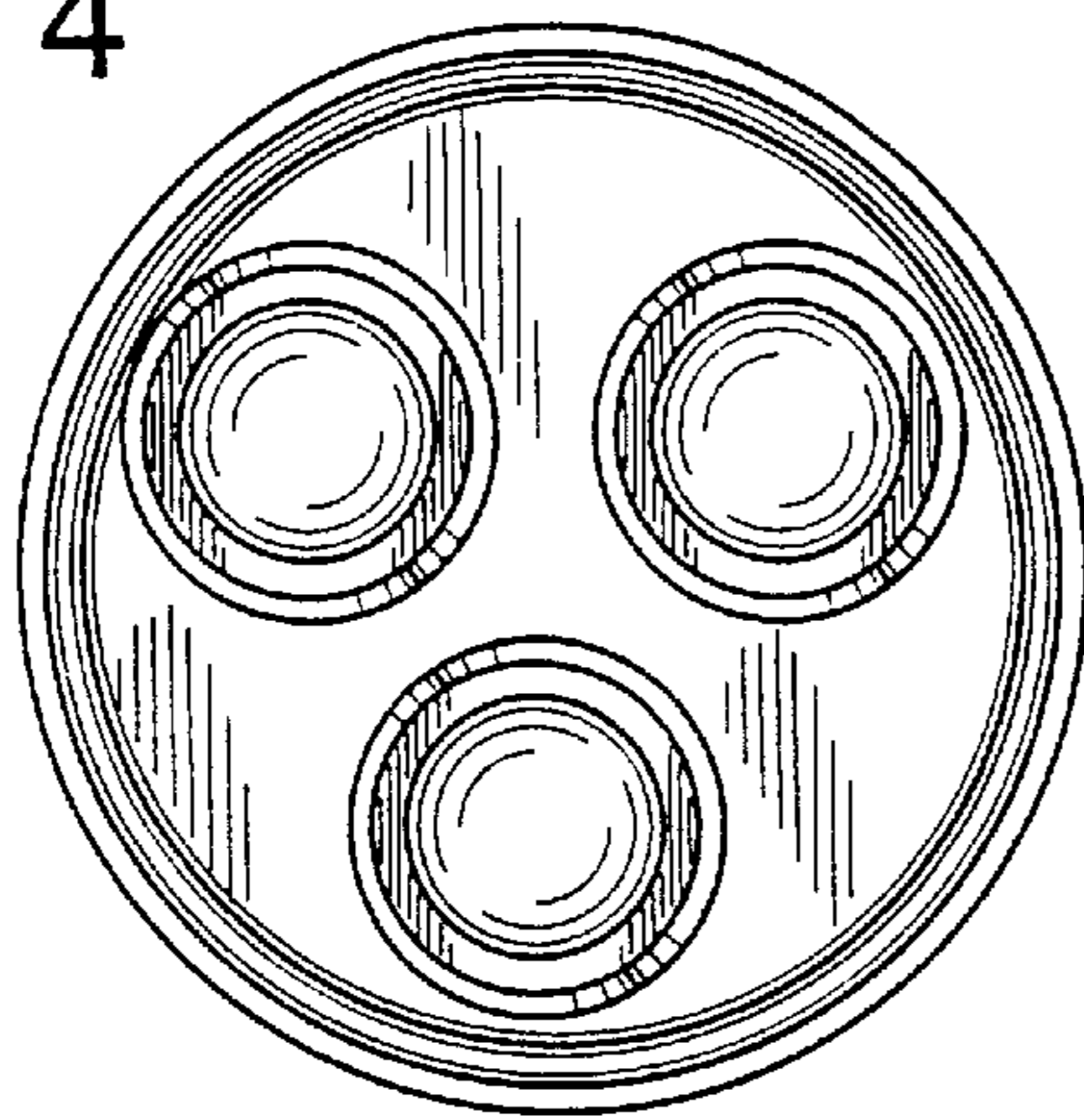


FIG. 6

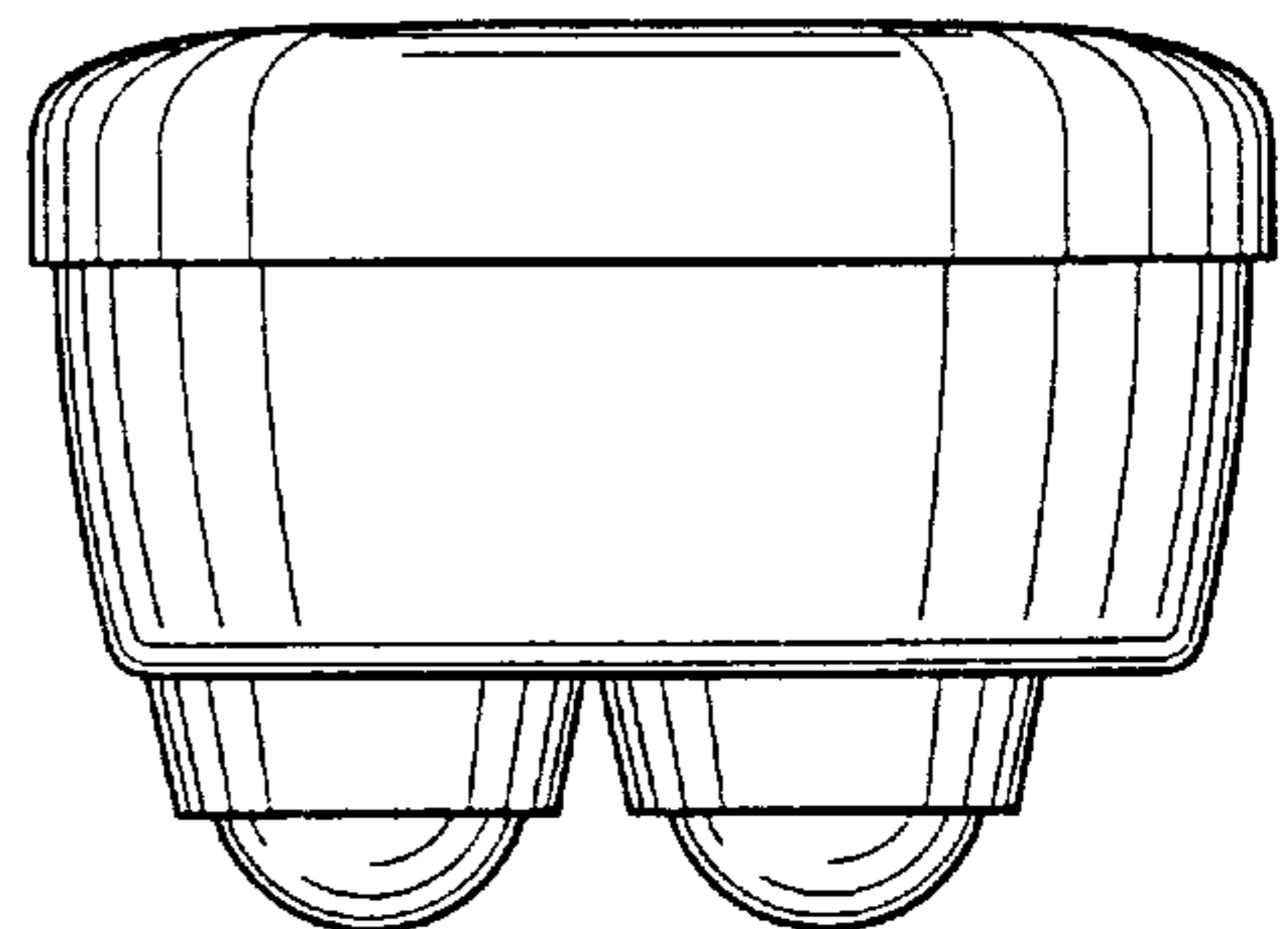


FIG. 5

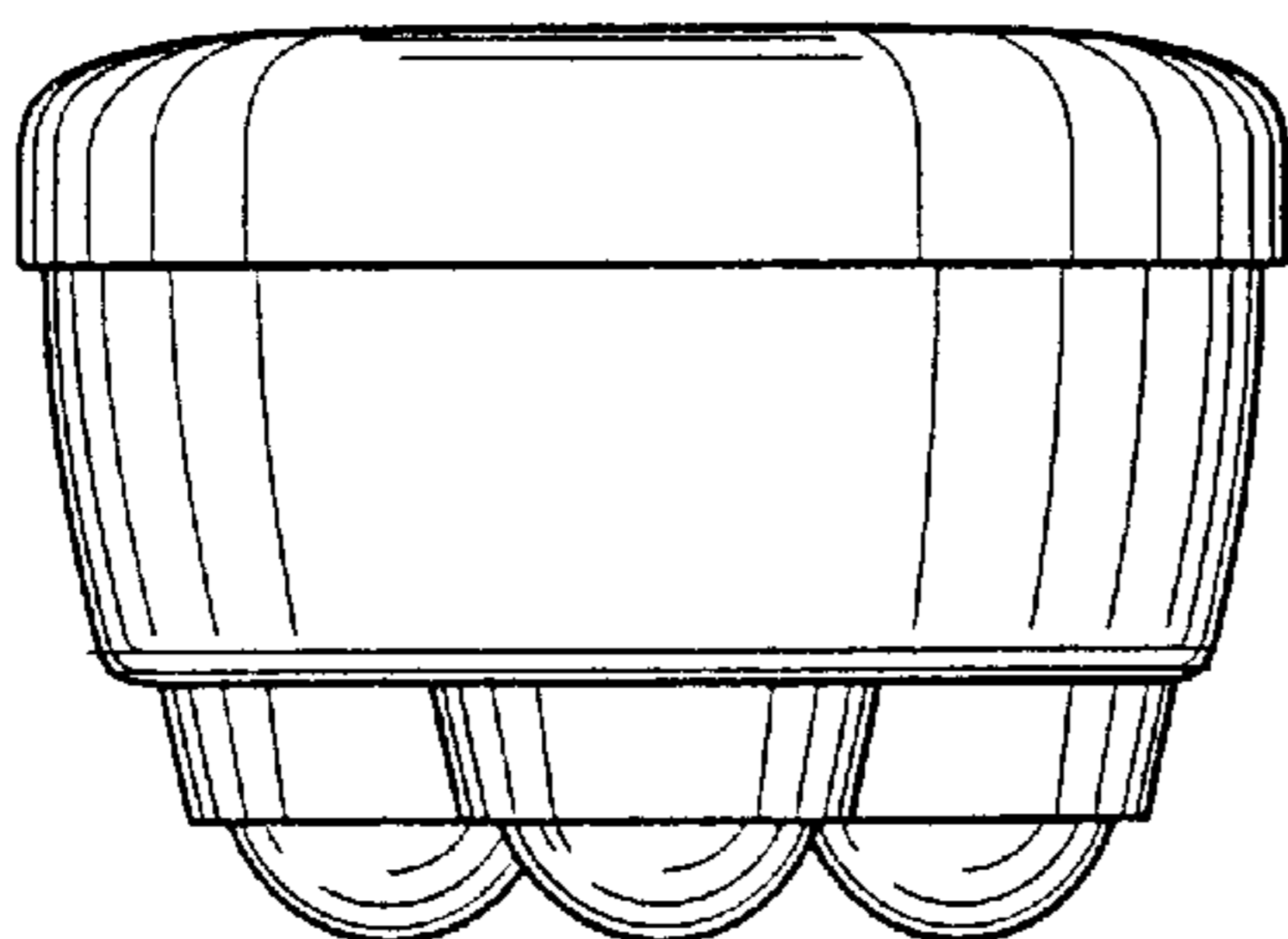


FIG. 8

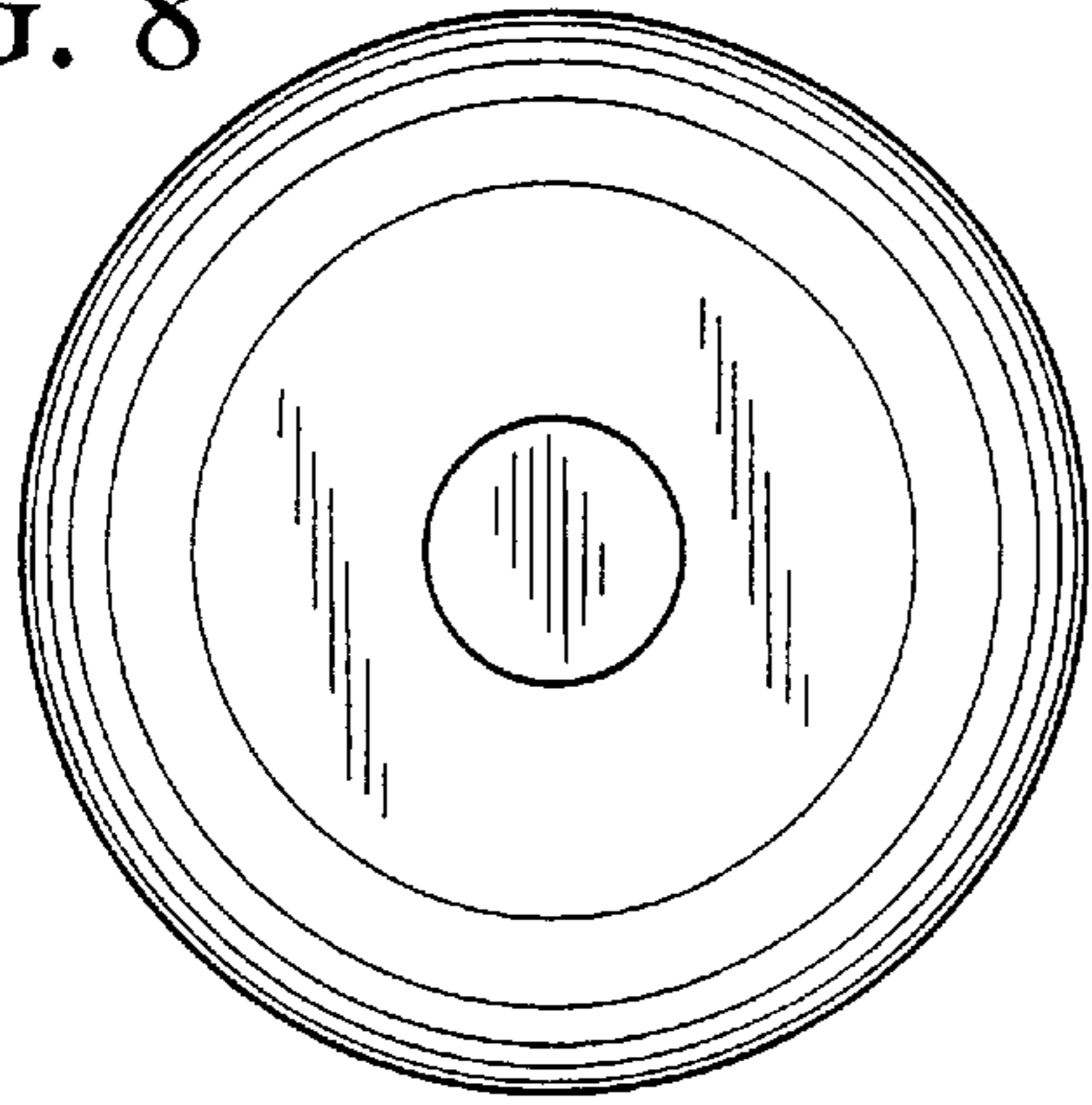


FIG. 7

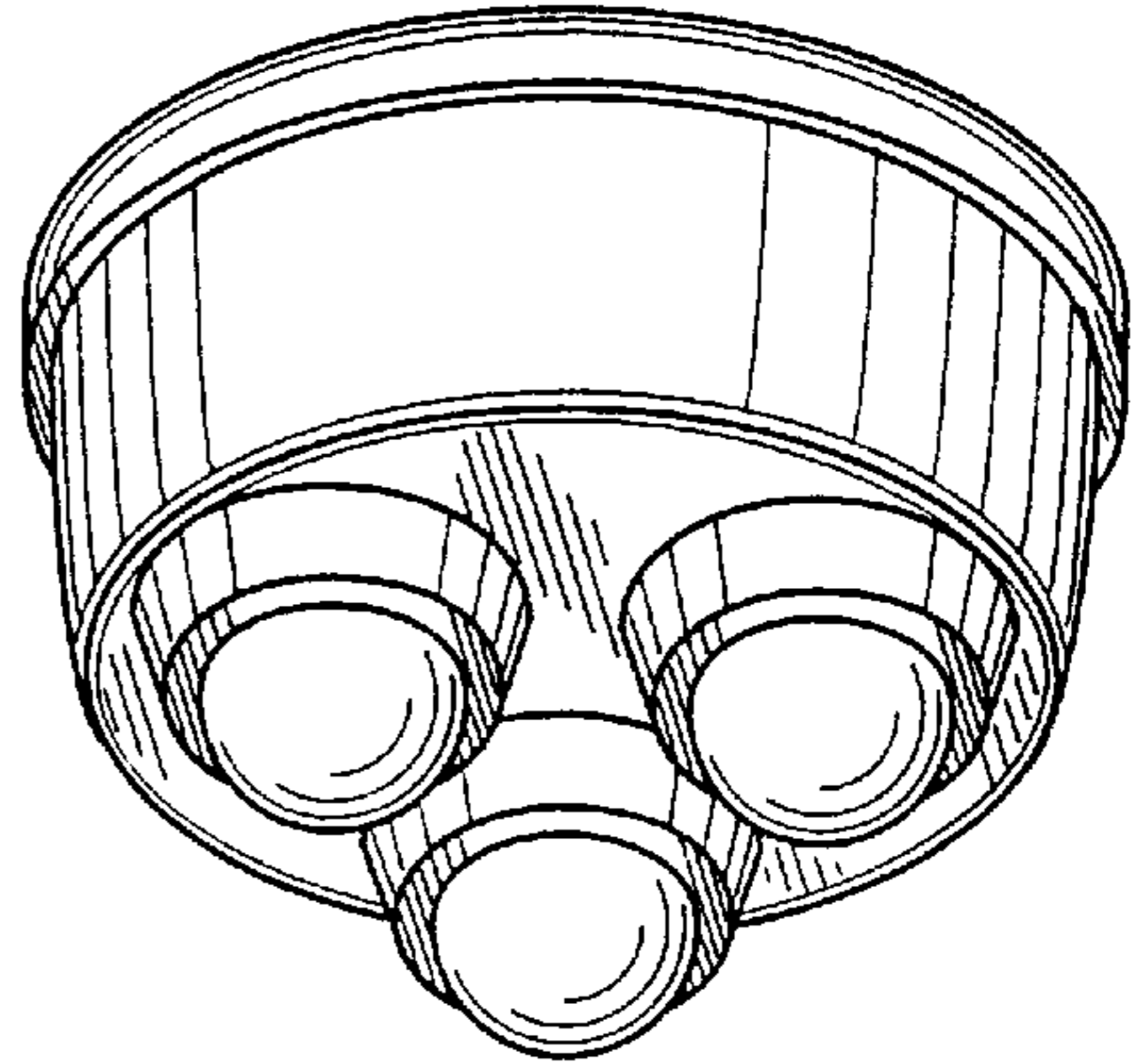


FIG. 9

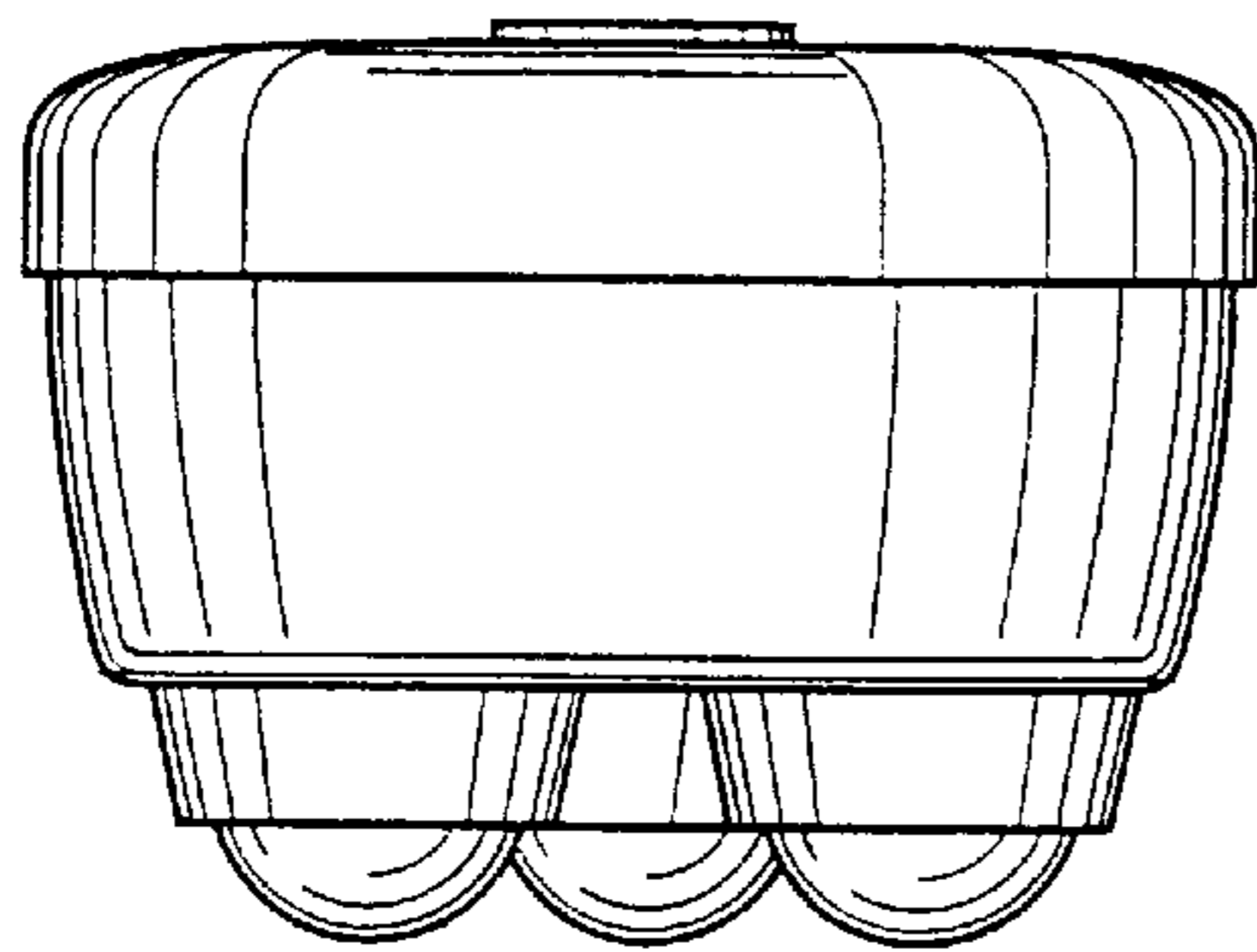


FIG. 10

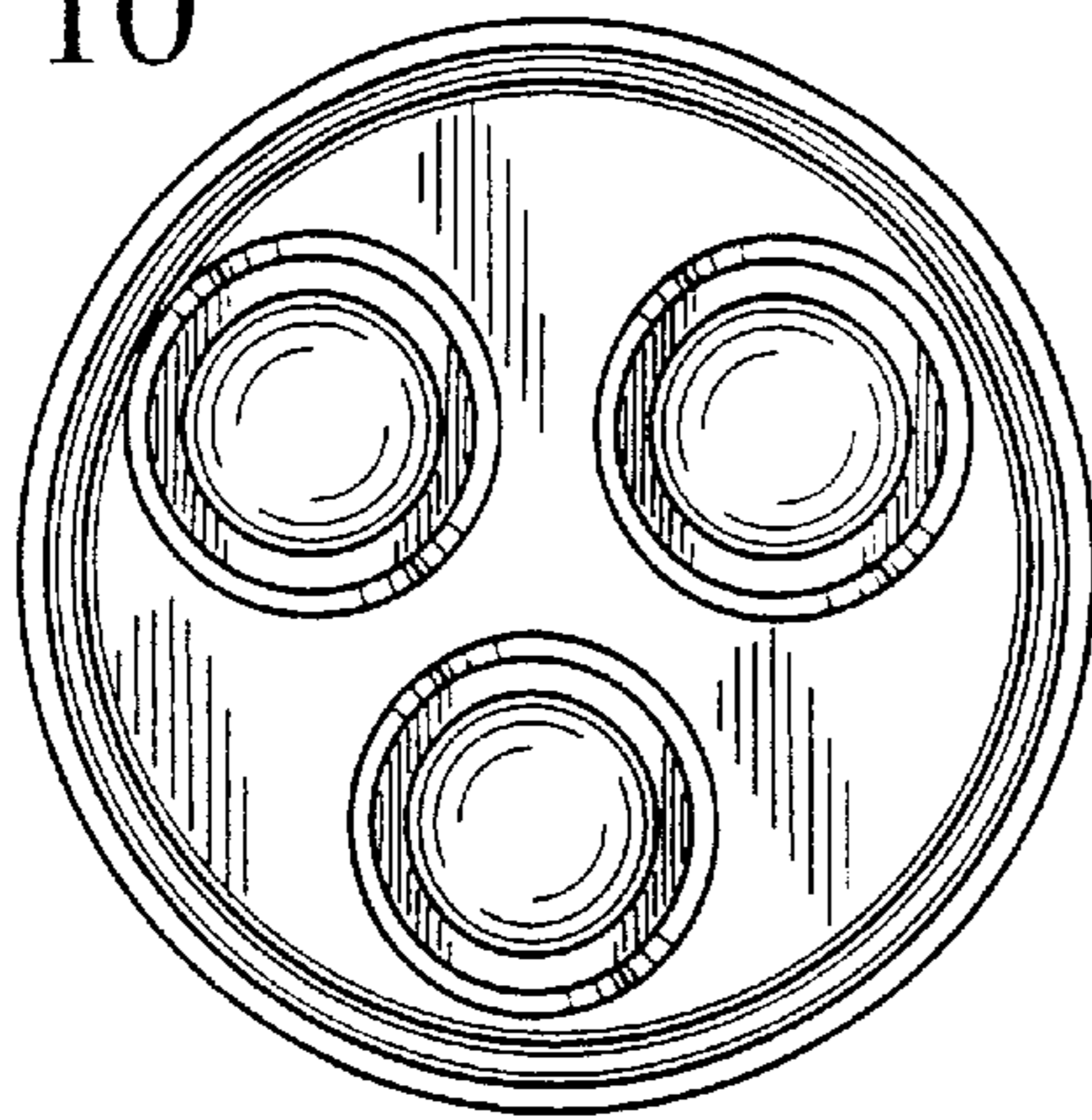


FIG. 12

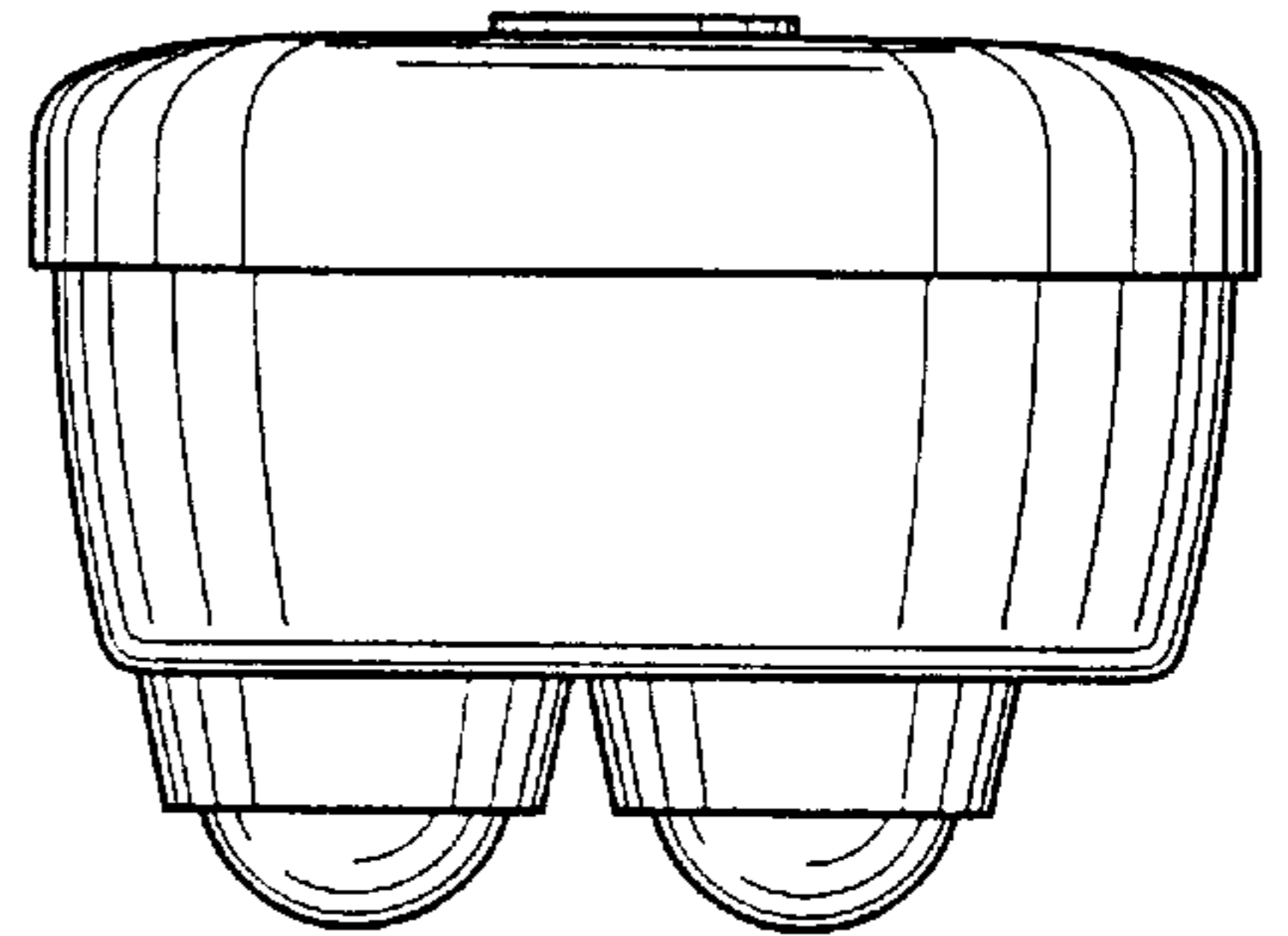


FIG. 11

