



US00D406673S

United States Patent [19]
Evans

[11] **Patent Number: Des. 406,673**
[45] **Date of Patent: **Mar. 9, 1999**

[54] **LIGHT FIXTURE**

OTHER PUBLICATIONS

[75] Inventor: **Richard Evans**, Memphis, Tenn.

Limburg Glass catalog, p. 27, ceiling lamp, 1989.
Limberg Glass catalog, p. 39, ceiling lamp, 1989.

[73] Assignee: **Hunter Fan Company**, Memphis, Tenn.

Primary Examiner—Susan J. Lucas
Attorney, Agent, or Firm—Baker, Donelson, Bearman & Caldwell

[**] Term: **14 Years**

[21] Appl. No.: **85,409**

[57] **CLAIM**

[22] Filed: **Mar. 23, 1998**

The ornamental design for a light fixture, as shown and described.

[51] **LOC (6) Cl.** **26-05**

DESCRIPTION

[52] **U.S. Cl.** **D26/85; D26/134**

[58] **Field of Search** D26/72, 80-92,
D26/128, 131, 132, 133, 134; 362/147,
404-408, 350, 351, 363, 326, 329

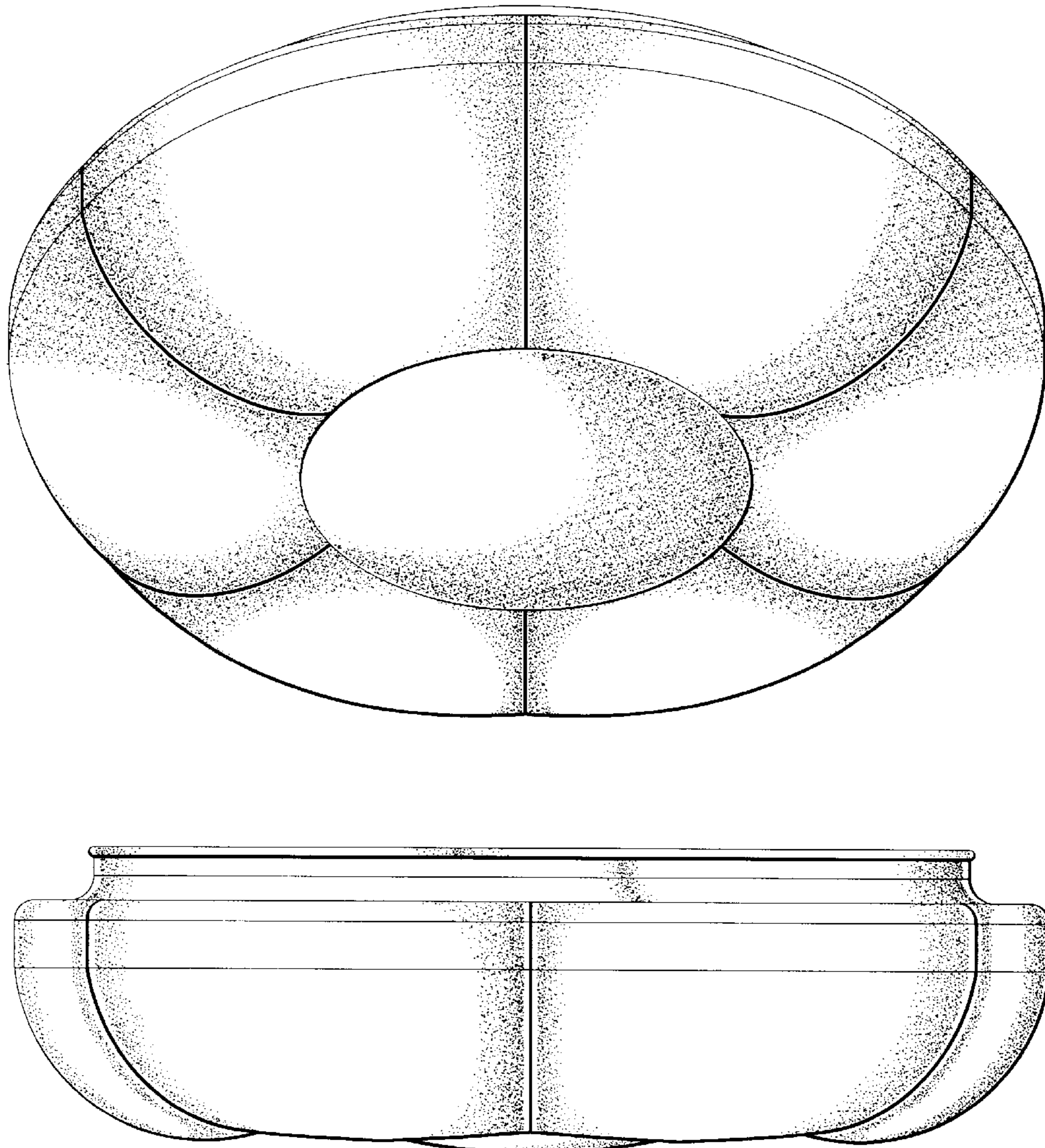
FIG. 1 is a perspective view of a light fixture showing my new design;
FIG. 2 is a front view, the rear view being a mirror image thereof;
FIG. 3 is a right-side view thereof, the left-side view being a mirror image thereof;
FIG. 4 is a top view thereof; and,
FIG. 5 is a bottom view thereof.

[56] **References Cited**

U.S. PATENT DOCUMENTS

D. 391,661	3/1998	Pan	D26/86
4,514,792	4/1985	Klaus	362/147 X
5,491,618	2/1996	Vakil	362/147

1 Claim, 3 Drawing Sheets



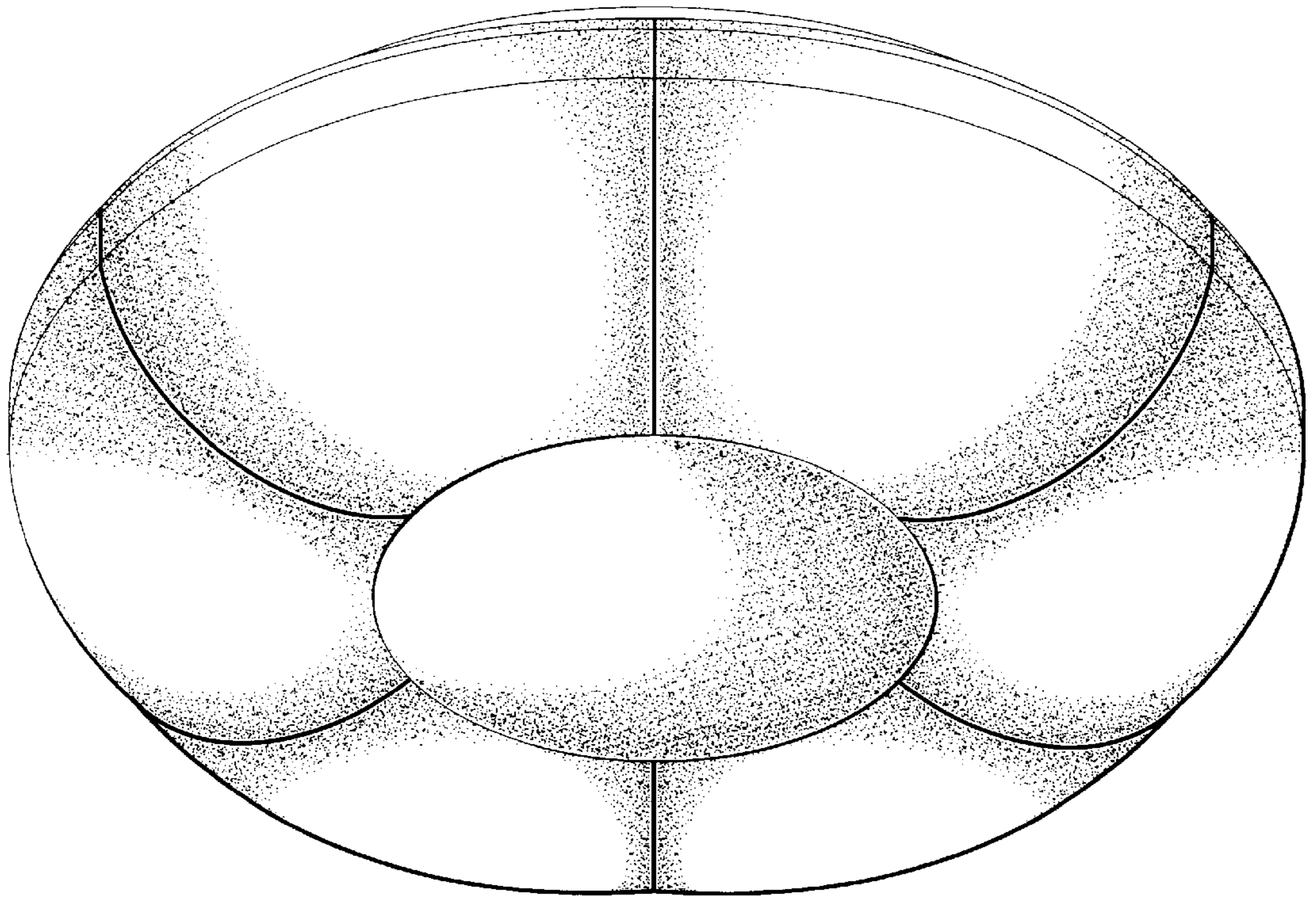


FIG 1

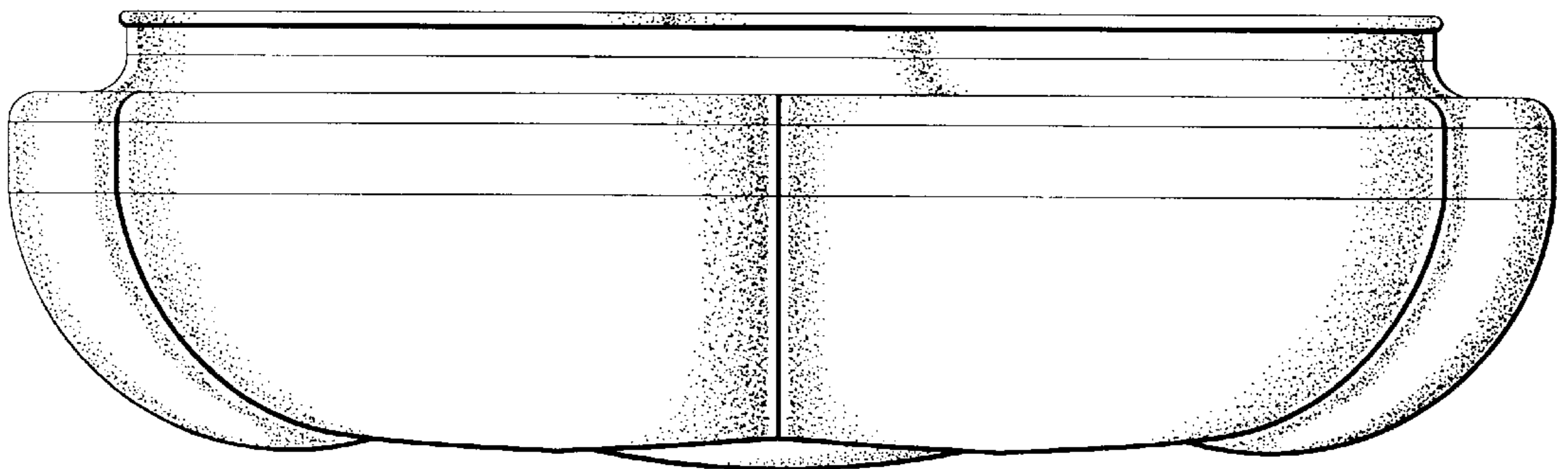


FIG 2

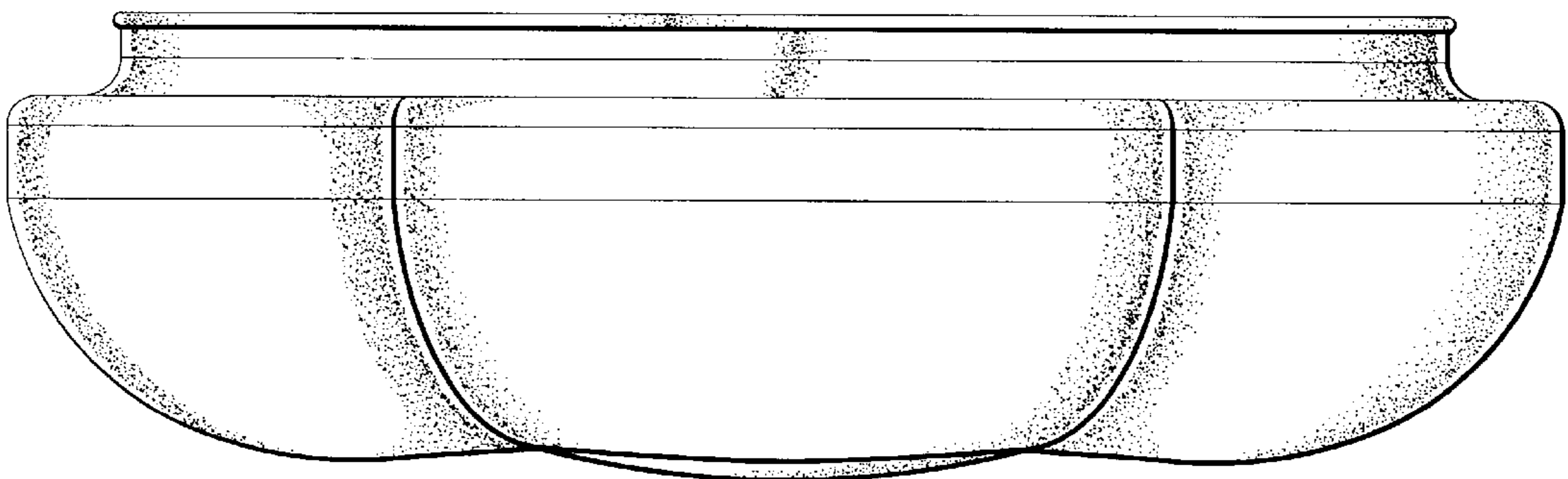


FIG 3

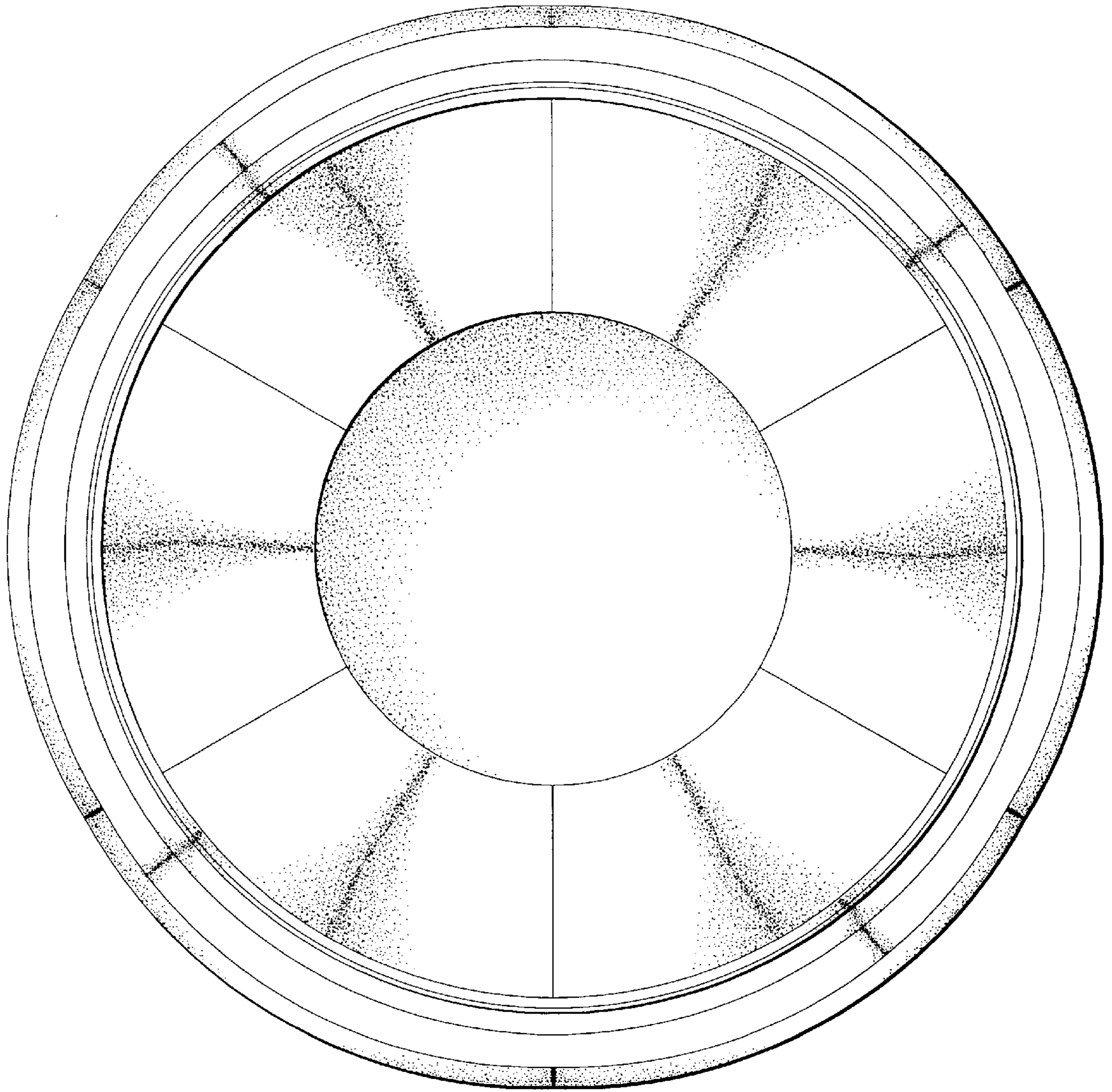


FIG 4

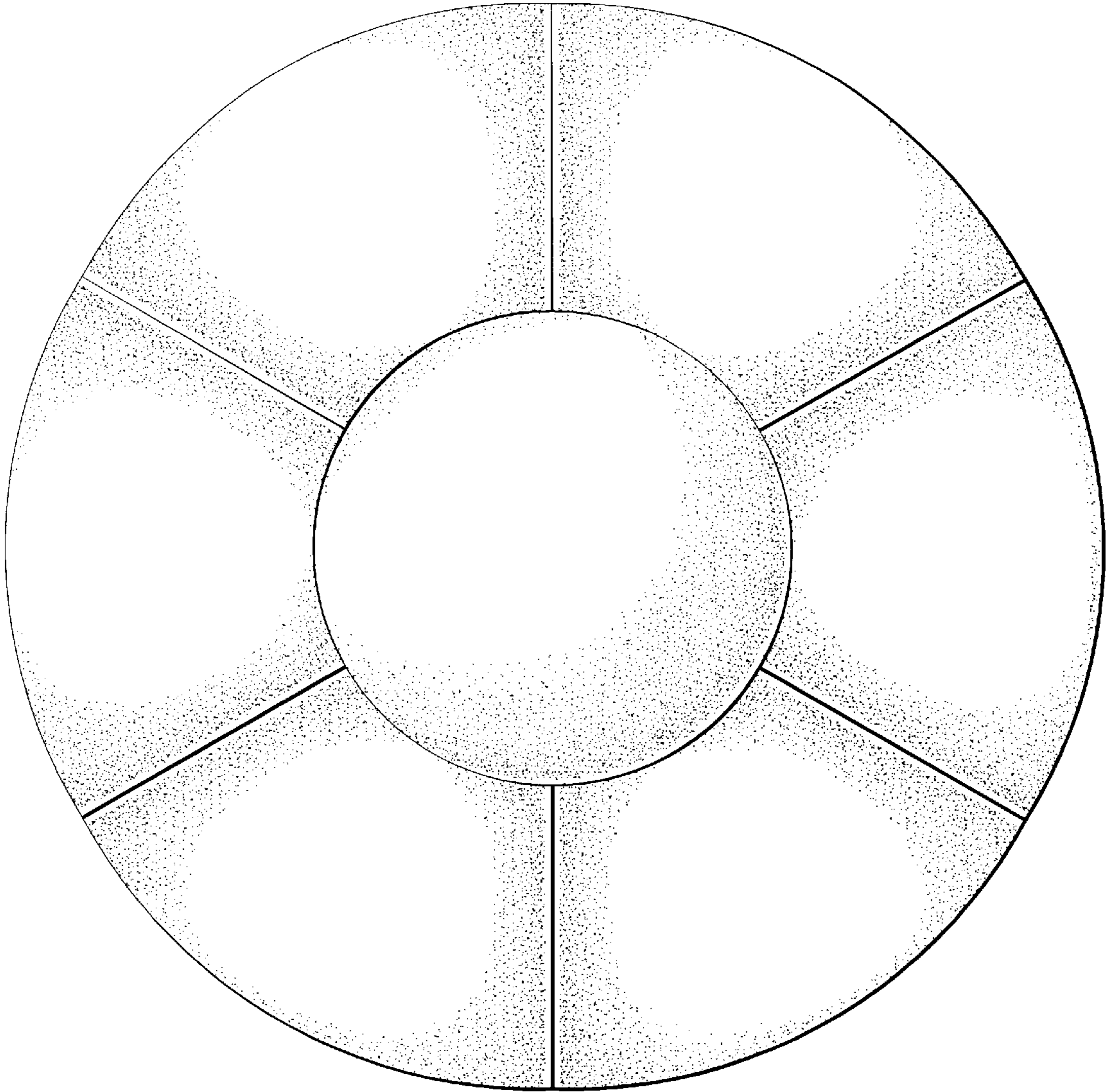


FIG 5