



US00D406670S

United States Patent [19]
Yeh

[11] **Patent Number: Des. 406,670**

[45] **Date of Patent: **Mar. 9, 1999**

[54] **RECESSED LAMP**

2,984,739 5/1961 Kaufman 362/366

[76] Inventor: **Neng-Chen Yeh**, No. 10, Lane 808,
Chungshan Rd., Hsinhua Chen, Tainan
Hsien, Taiwan

Primary Examiner—Susan J. Lucas
Attorney, Agent, or Firm—Rosenberg, Klein & Bilker

[**] Term: **14 Years**

[57] **CLAIM**

The ornamental design for the recessed lamp, as shown.

[21] Appl. No.: **86,194**

DESCRIPTION

[22] Filed: **Apr. 8, 1998**

[51] **LOC (6) Cl.** **26-05**

[52] **U.S. Cl.** **D26/74; D26/29; D26/85**

[58] **Field of Search** D26/72, 74, 80-92,
D26/28, 29; 362/147, 404-408, 364, 365,
366, 479, 493

FIG. 1 is a perspective view of the recessed lamp showing my new design;

FIG. 2 is a front view thereof;

FIG. 3 is a rear view thereof;

FIG. 4 is a left side view thereof;

FIG. 5 is a right side view thereof;

FIG. 6 is a top view thereof; and,

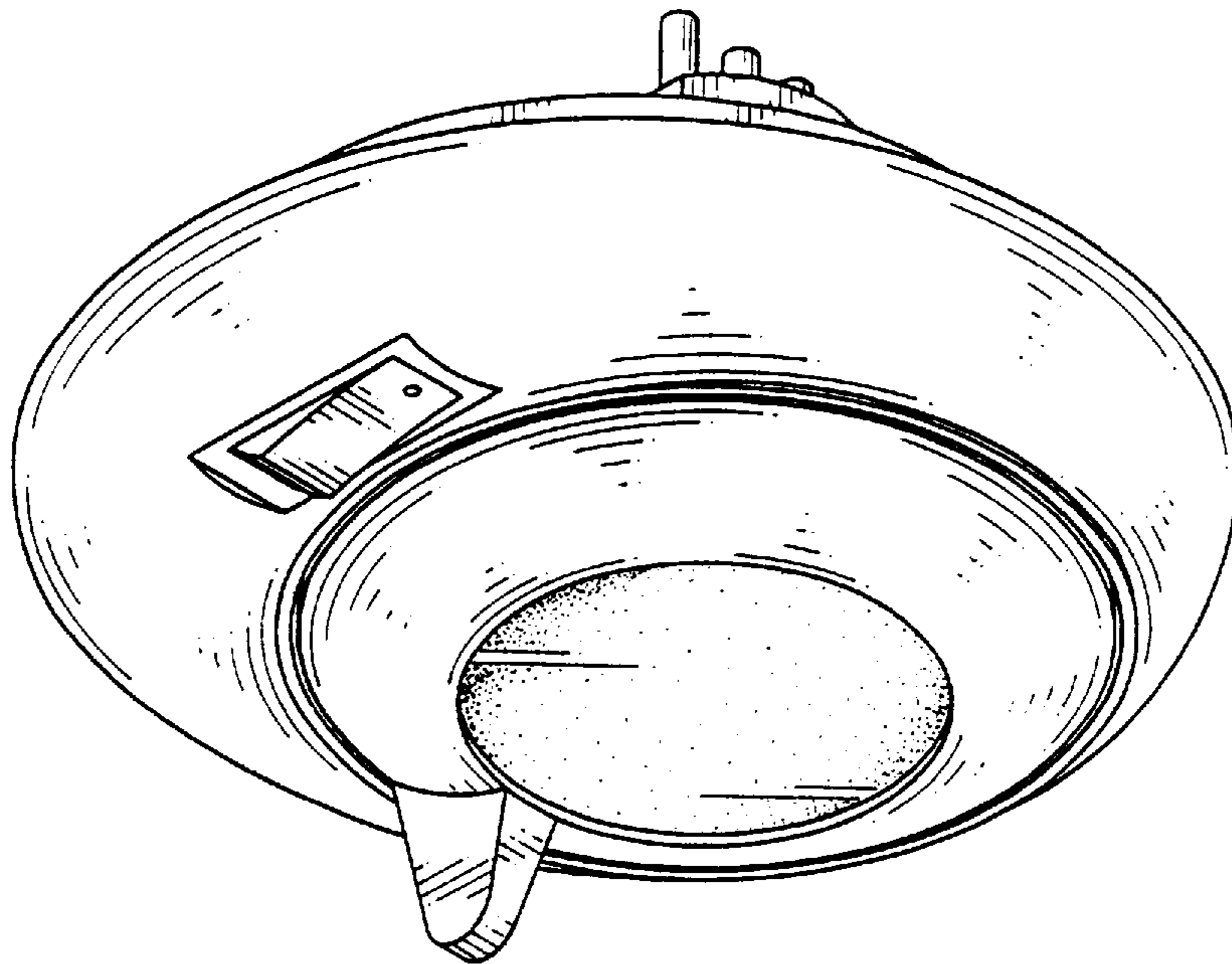
FIG. 7 is a bottom view thereof.

[56] **References Cited**

U.S. PATENT DOCUMENTS

D. 386,805 11/1997 Bonnette et al. D26/74

1 Claim, 4 Drawing Sheets



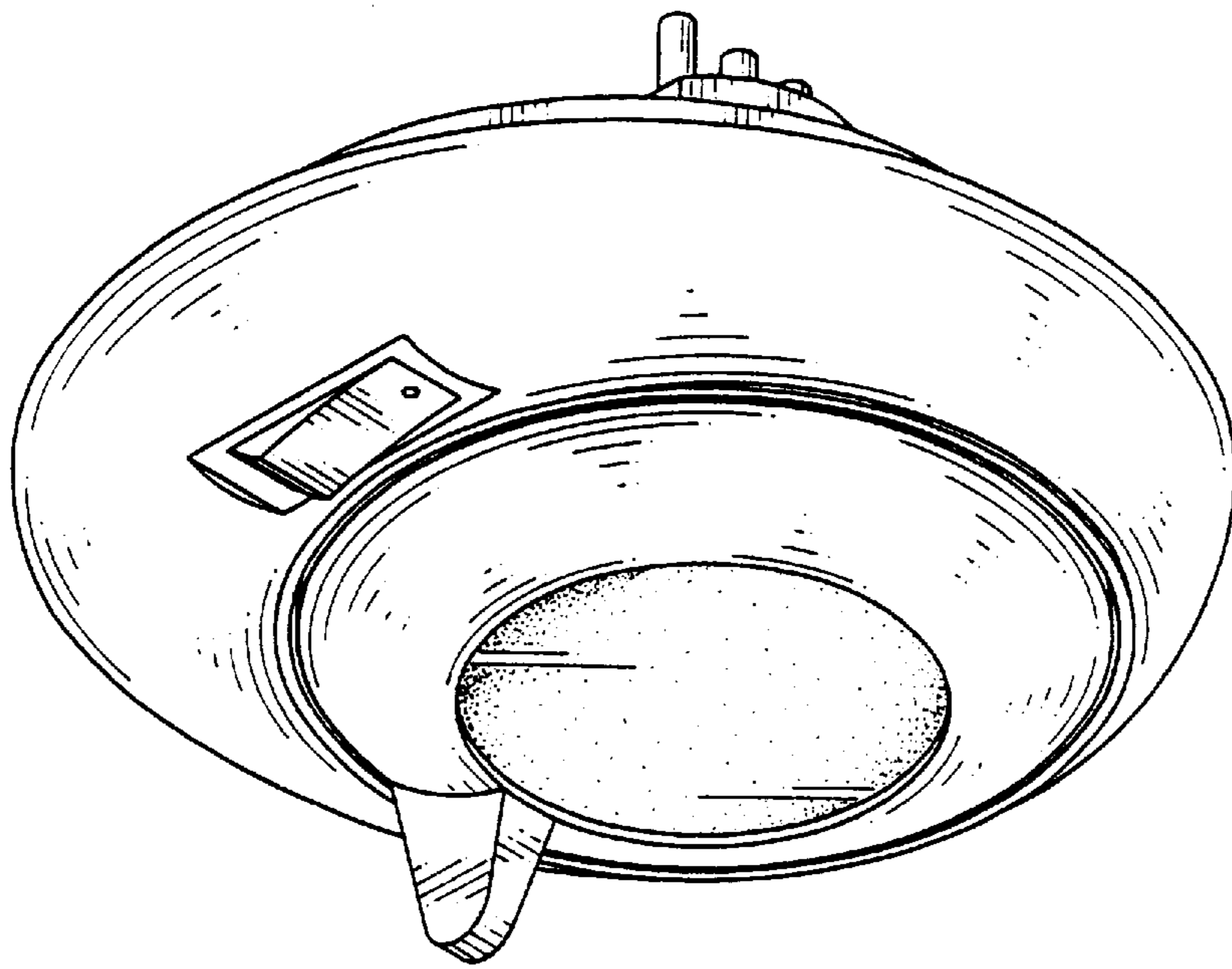


FIG. 1

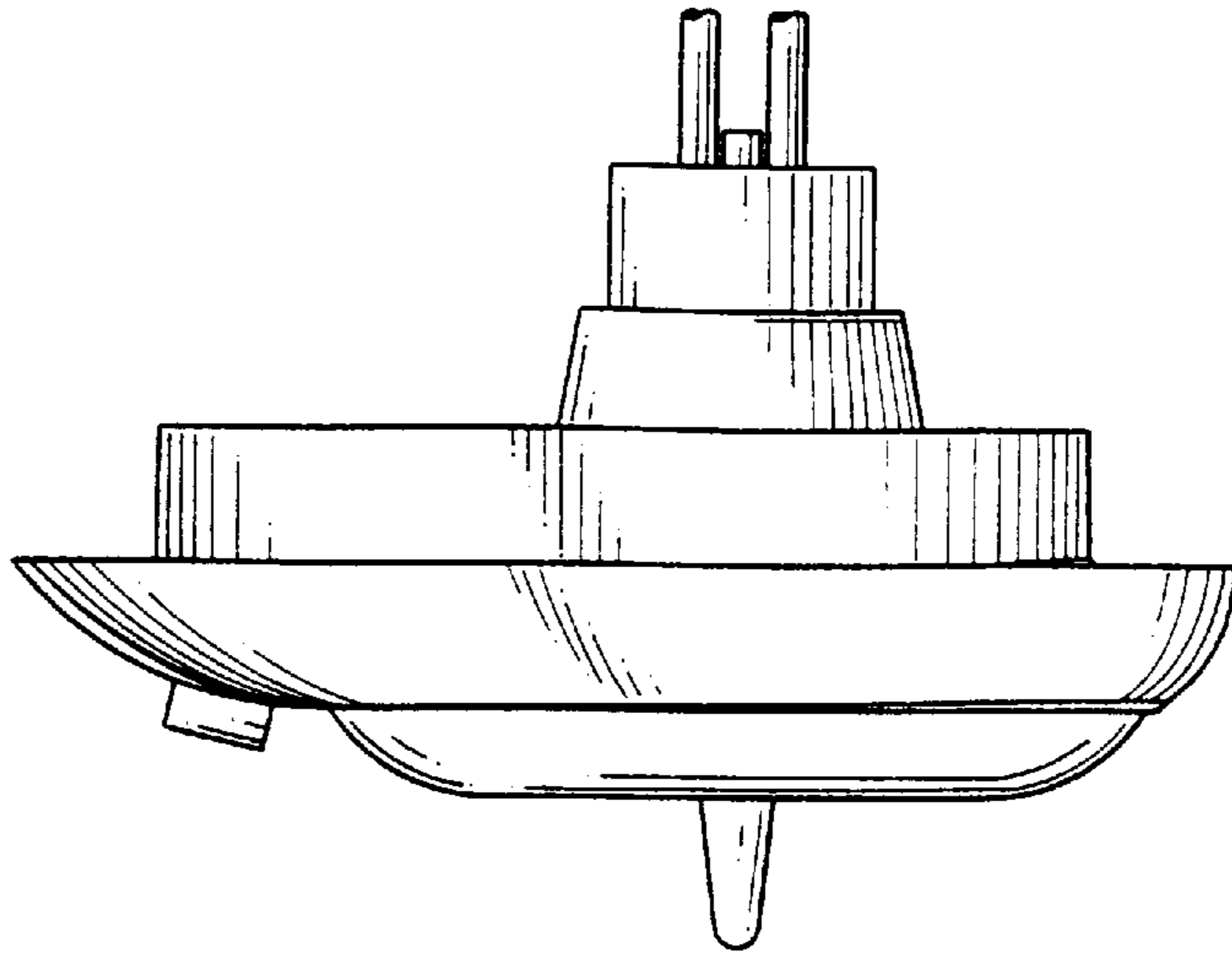


FIG. 2

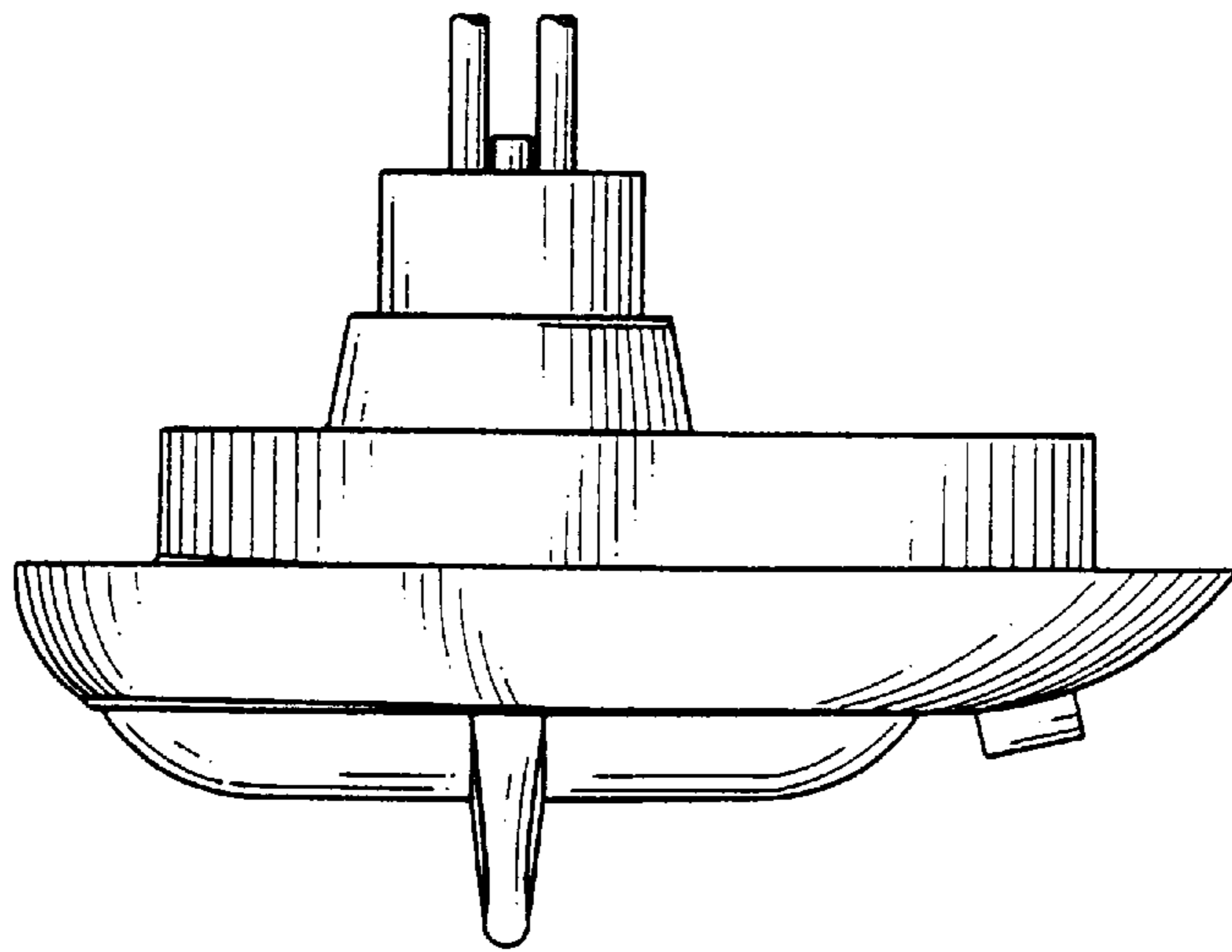


FIG. 3

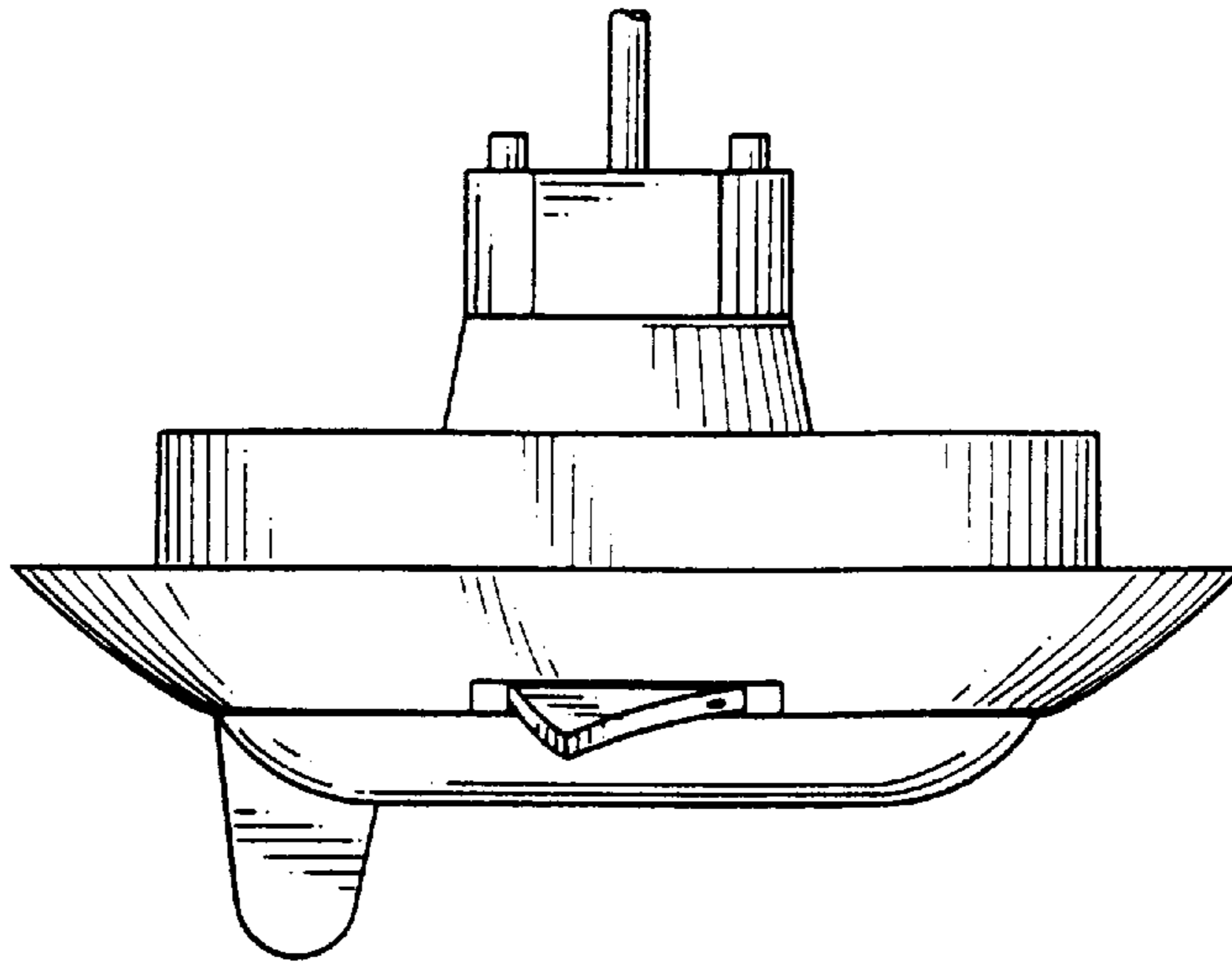


FIG. 4

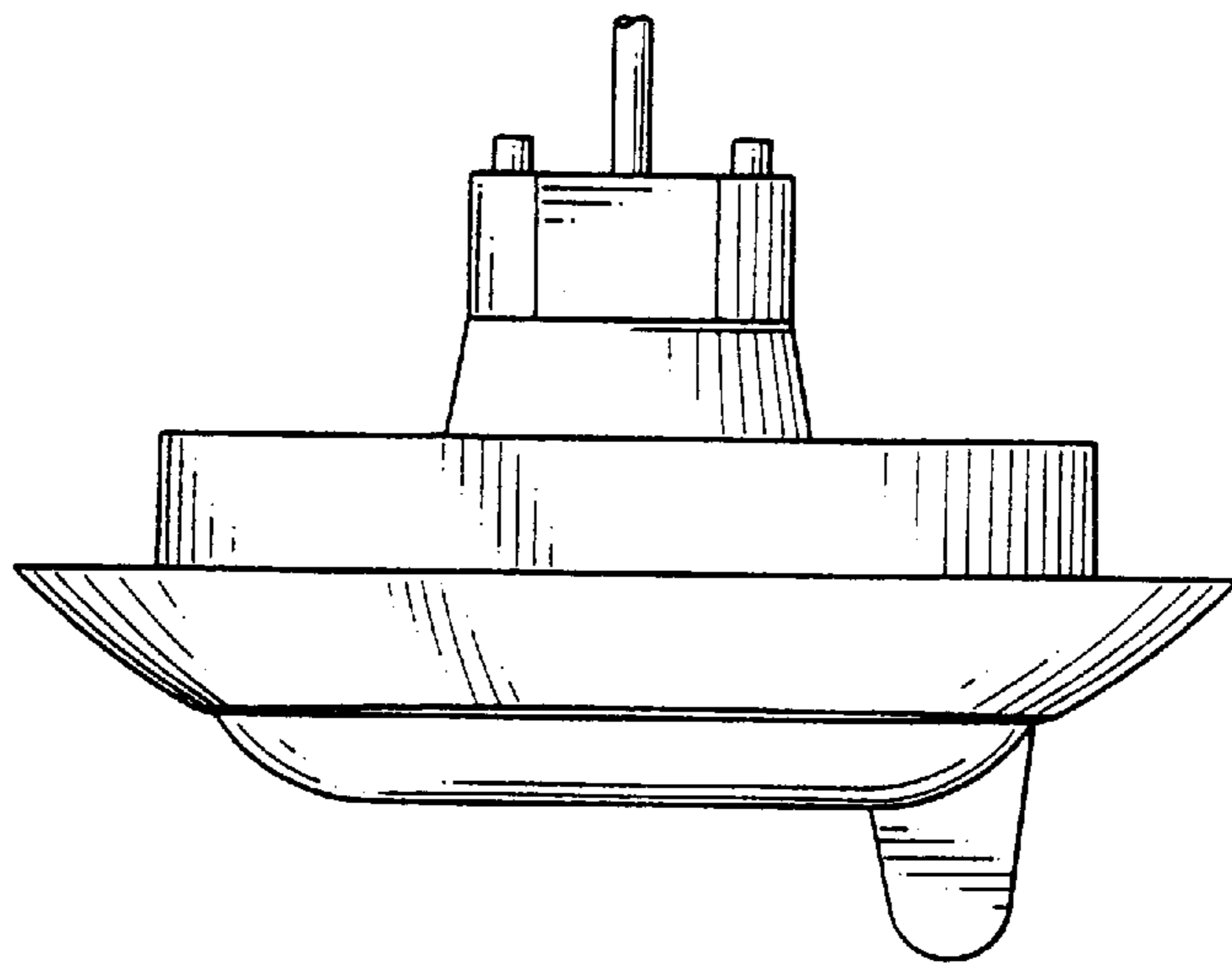


FIG. 5

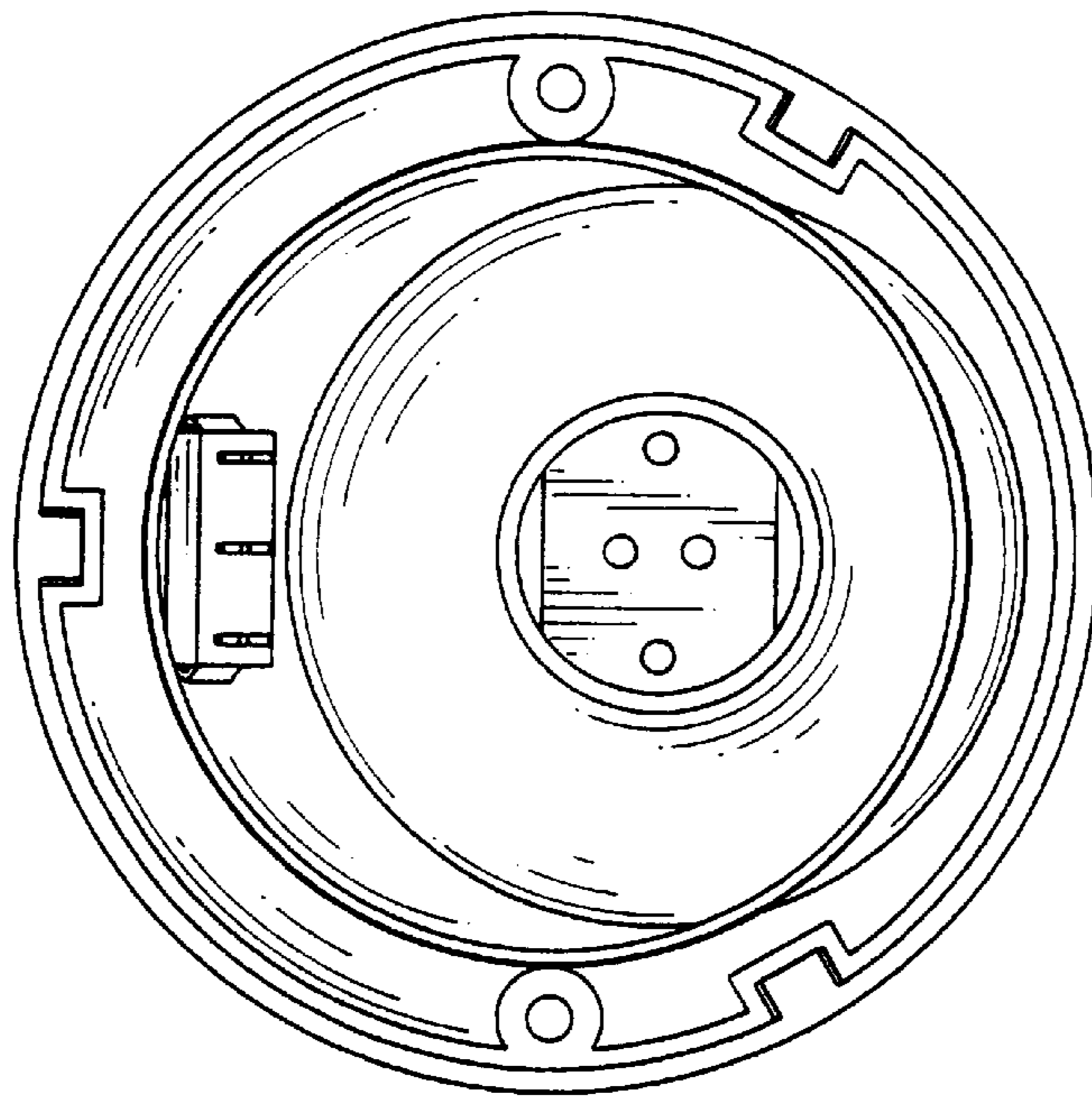


FIG. 6

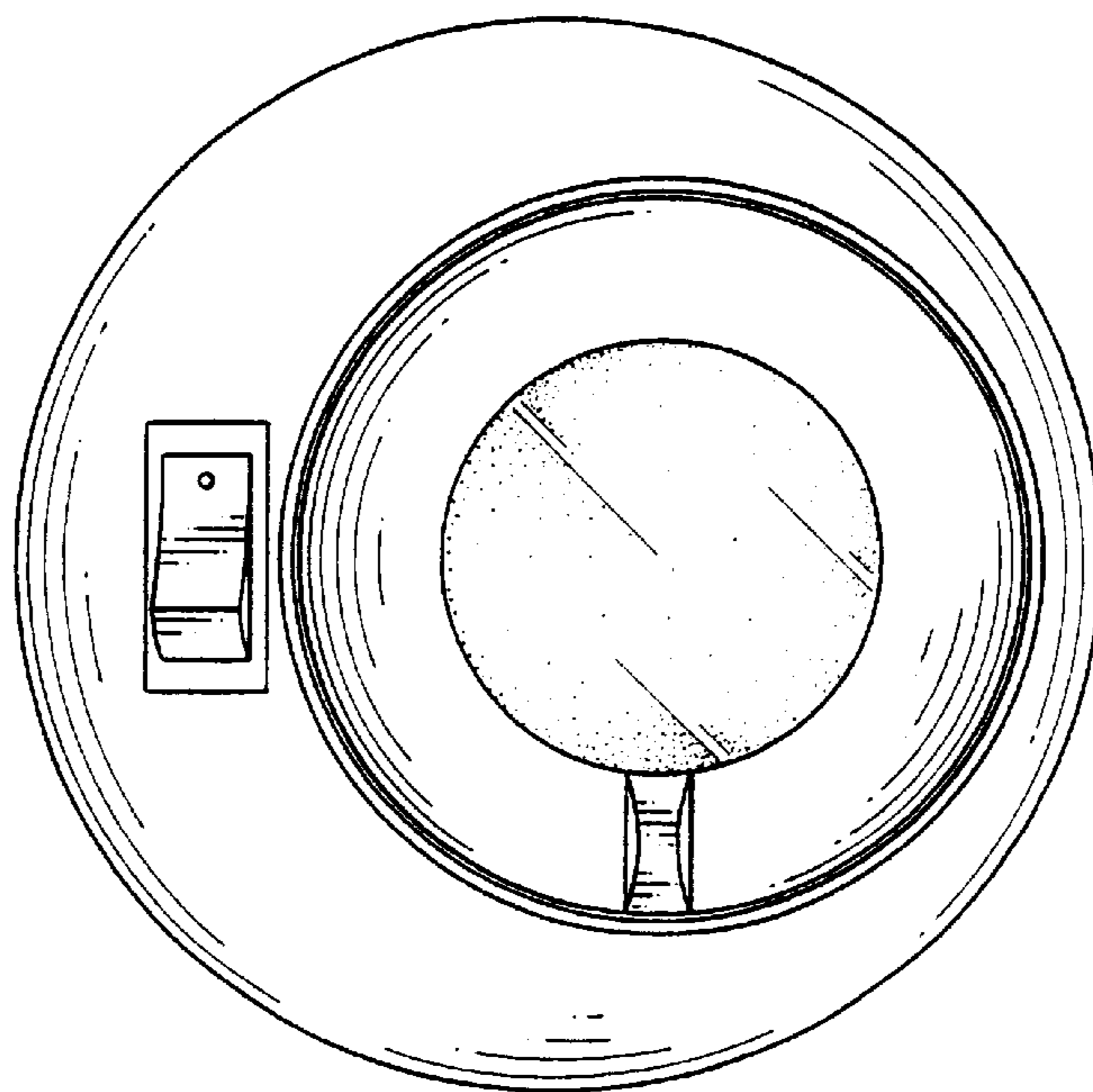


FIG. 7