



US00D406669S

# United States Patent [19] McCalla

[11] **Patent Number: Des. 406,669**  
[45] **Date of Patent: \*\*Mar. 9, 1999**

[54] **COMBINATION FLASHLIGHT AND POWERED SCREWDRIVER**

[76] Inventor: **Gavin McCalla**, 3935 Tamiami Trail, Cumming, Ga. 30131

[\*\*] Term: **14 Years**

[21] Appl. No.: **86,232**

[22] Filed: **Apr. 8, 1998**

[51] **LOC (6) Cl. .... 26-02**

[52] **U.S. Cl. .... D26/38; D8/87**

[58] **Field of Search .... D26/37-50; 362/157, 362/158, 171, 172, 178, 181, 183, 192, 194, 196, 197, 200-206, 119, 120**

[56] **References Cited**

**U.S. PATENT DOCUMENTS**

D. 327,827	7/1992	Kwan	.....	D8/61
D. 330,497	10/1992	Hsin	.....	D8/68
D. 331,356	12/1992	Amsberry	.....	D8/68
D. 363,012	10/1995	Humphries	.....	D26/38
D. 364,694	11/1995	Silvia	.....	D26/38
D. 371,616	7/1996	Porth et al.	.....	D26/38
1,439,404	12/1922	Cotharin	.....	240/6.46
2,242,536	5/1941	Montgomery	.....	240/6.46
2,288,093	6/1942	Kaffenberger et al.	.....	240/6.46
2,341,375	2/1944	Hambleton	.....	240/6.46
2,466,342	1/1949	Watts	.....	240/6.46
2,706,769	4/1955	Cook	.....	240/6.46

2,783,364	2/1957	Wood, Jr.	.....	240/6.46
3,185,832	5/1965	Nagamori	.....	240/6.46
3,919,541	11/1975	Chao	.....	240/6.46
4,283,757	8/1981	Nalbandian et al.	.....	362/120
4,302,797	11/1981	Cooper	.....	362/119
4,480,295	10/1984	Shuster	.....	362/119
5,369,555	11/1994	McKain et al.	.....	362/120
5,473,519	12/1995	McCallops et al.	.....	362/120
5,510,962	4/1996	Hsiao	.....	362/120
5,515,249	5/1996	Shiao	.....	362/119
5,577,829	11/1996	Hall	.....	362/119
5,584,565	12/1996	Berg	.....	362/120

*Primary Examiner*—Marcus A. Jackson  
*Attorney, Agent, or Firm*—Needle & Rosenberg, P.C.

[57] **CLAIM**

The new and ornamental design for a combination flashlight and powered screwdriver, as shown and described.

**DESCRIPTION**

FIG. 1 is a side elevational view of a combination flashlight and powered screwdriver of the present invention, with the opposite side being a mirror image with the broken line showing for illustrative purposes only and forming no part of the claim design;

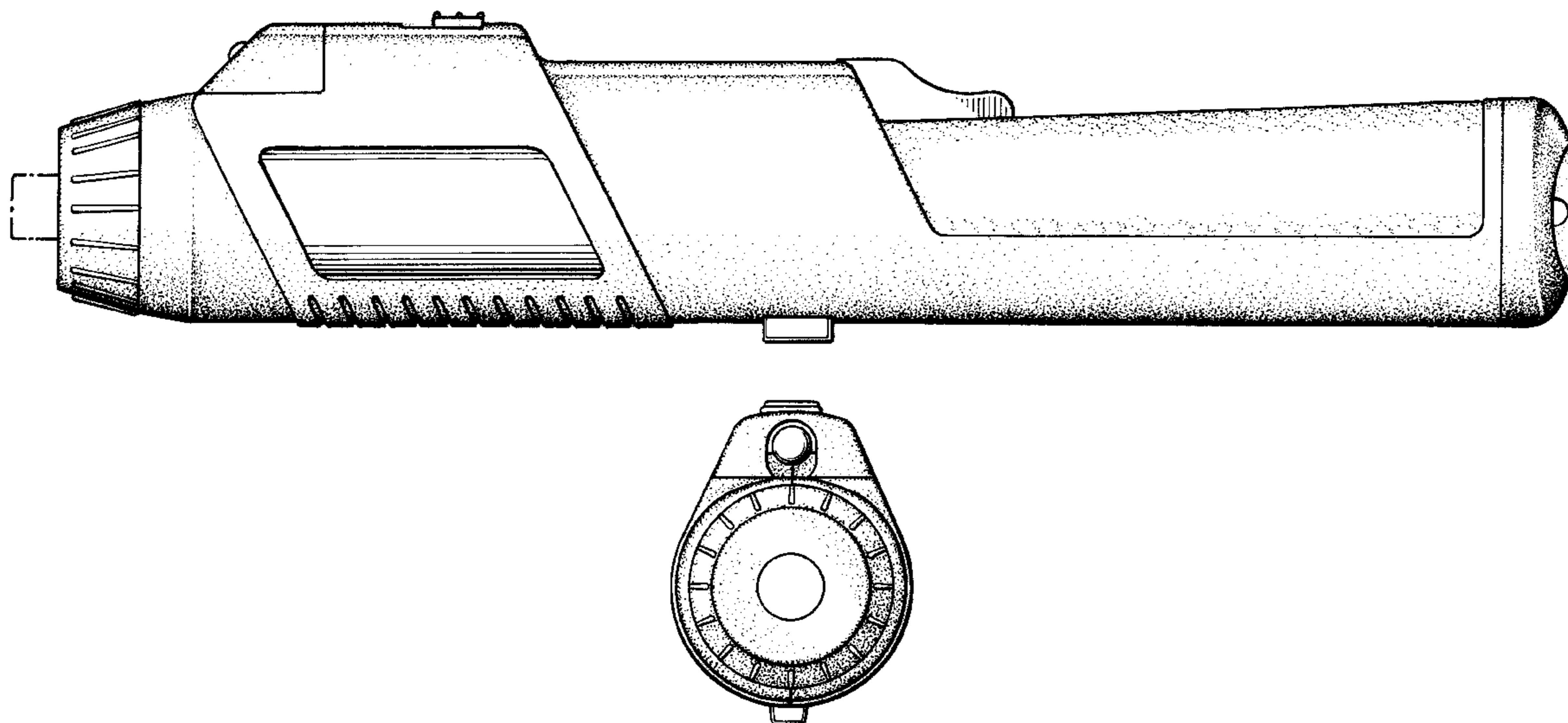
FIG. 2 is a top plan view of FIG. 1;

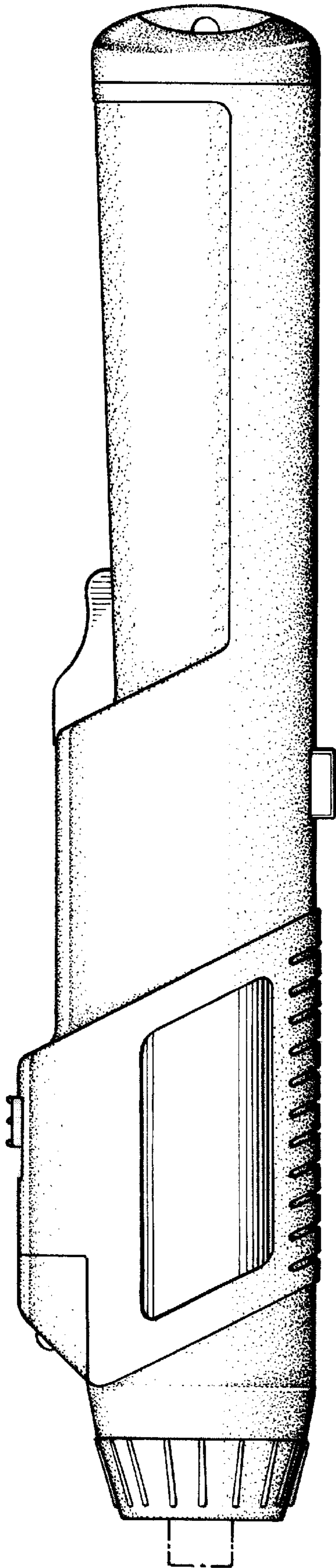
FIG. 3 is a bottom plan view of FIG. 1;

FIG. 4 is a front elevational view of FIG. 1; and,

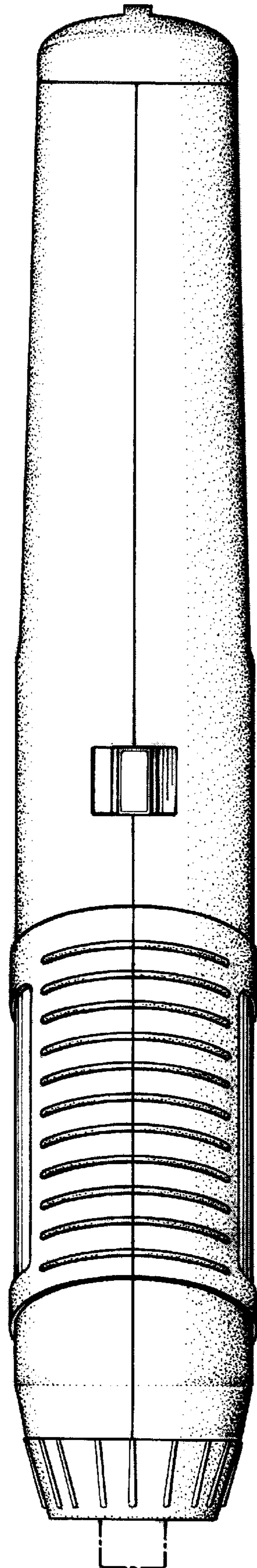
FIG. 5 is a rear elevational view of FIG. 1.

**1 Claim, 2 Drawing Sheets**

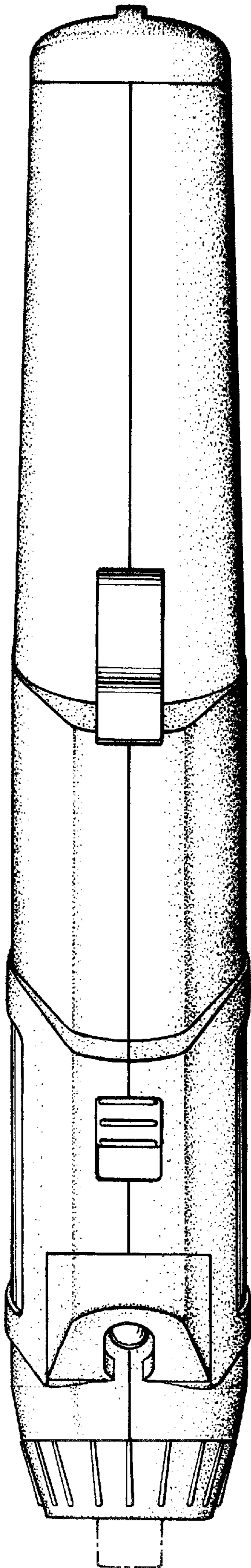




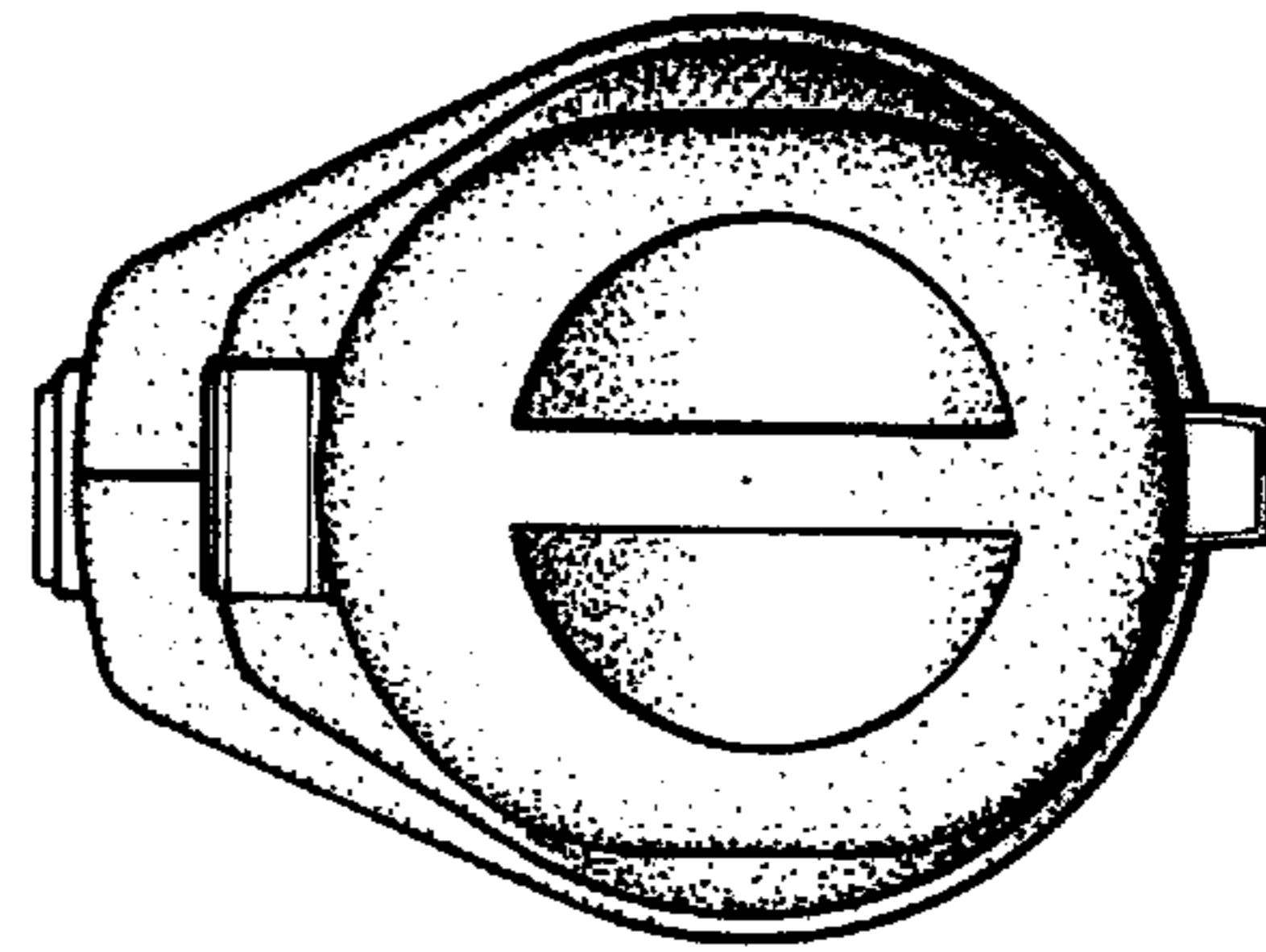
**FIG 1**



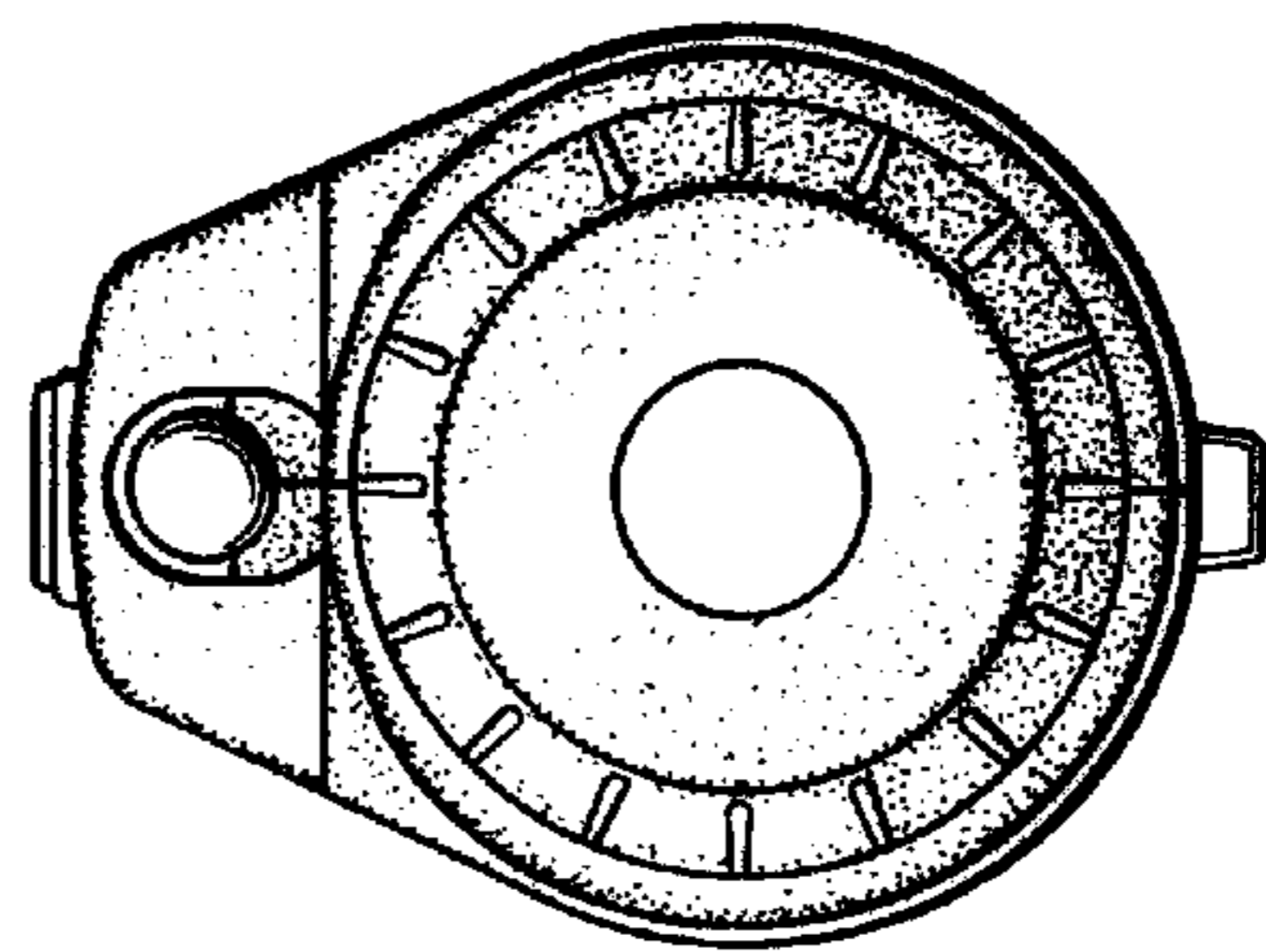
**FIG 2**



**FIG 3**



**FIG 5**



**FIG 4**