



US00D406668S

United States Patent [19] Yuen

[11] **Patent Number: Des. 406,668**

[45] **Date of Patent: **Mar. 9, 1999**

[54] **COMBINED LIGHT AND TOOLBOX**

D. 384,202 9/1997 Gilmore D26/38
D. 389,593 1/1998 Shigo D26/38

[75] Inventor: **John Se-Kit Yuen**, Kowloon, Hong Kong

Primary Examiner—Marcus A. Jackson
Attorney, Agent, or Firm—Fay, Sharpe, Beall, Fagan, Minnich & McKee

[73] Assignee: **John Manufacturing Limited**, Kowloon, Hong Kong

[**] Term: **14 Years**

[57] CLAIM

[21] Appl. No.: **81,091**

The ornamental design for a combined light and toolbox, as shown and described.

[22] Filed: **Dec. 19, 1997**

DESCRIPTION

[30] Foreign Application Priority Data

Jul. 2, 1997 [GB] United Kingdom 2067090

FIG. 1 is a rear perspective view with parts shown in open position of a combined light and toolbox showing my new design;

[51] **LOC (6) Cl.** **21-02**

FIG. 2 is a top plan view thereof;

[52] **U.S. Cl.** **D26/38; D3/274**

FIG. 3 is an underneath plan view thereof;

[58] **Field of Search** D26/37-50; D3/274, D3/276, 282, 905; 362/157, 158, 183, 184, 185, 191-208

FIG. 4 is a right side elevational view thereof;

FIG. 5 is a left side elevational view thereof;

FIG. 6 is a front elevational view thereof; and,

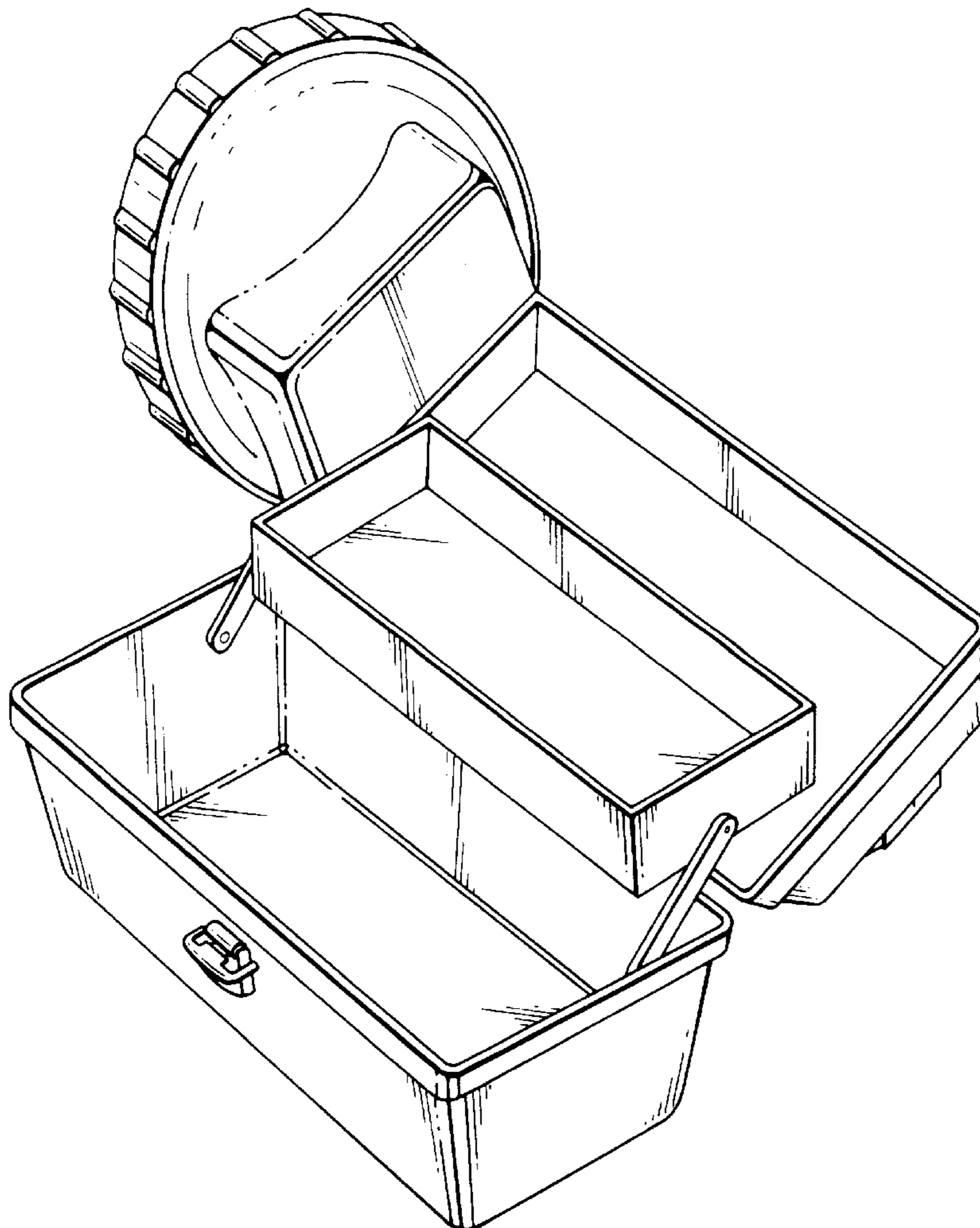
FIG. 7 is a rear elevational view thereof.

[56] References Cited

U.S. PATENT DOCUMENTS

D. 376,908 12/1996 Hsu D26/38

1 Claim, 3 Drawing Sheets



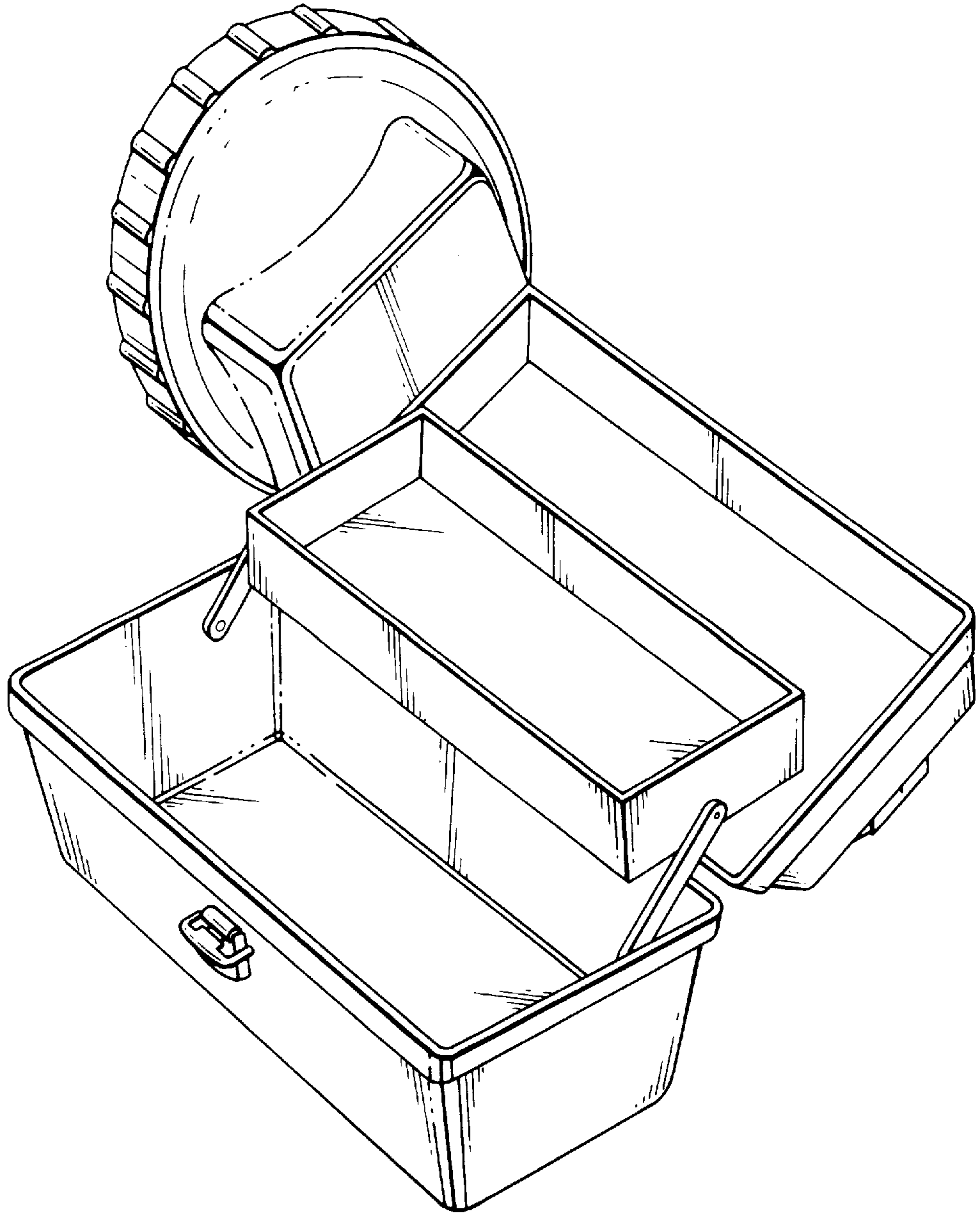


FIG. 1

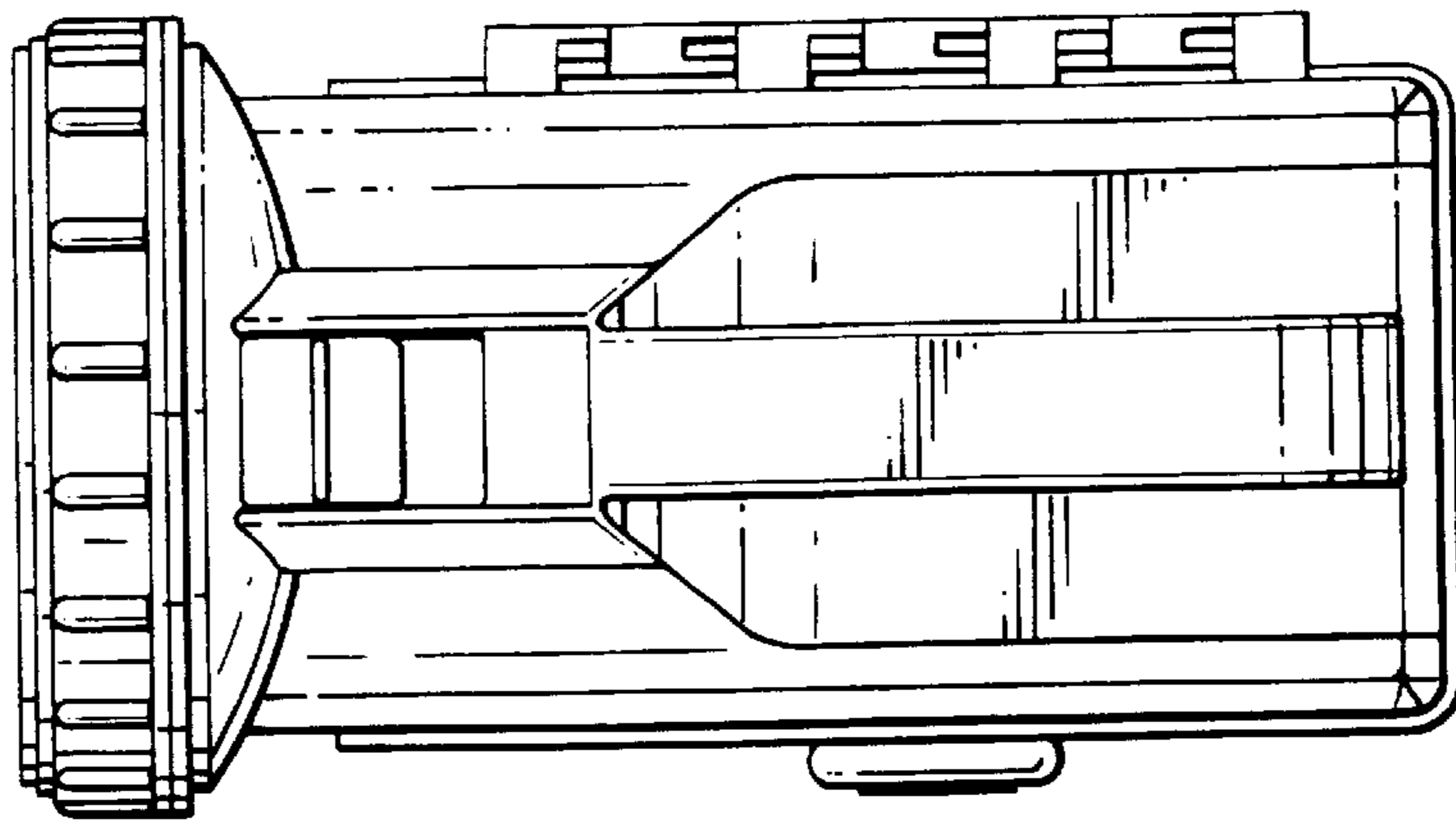


FIG. 2

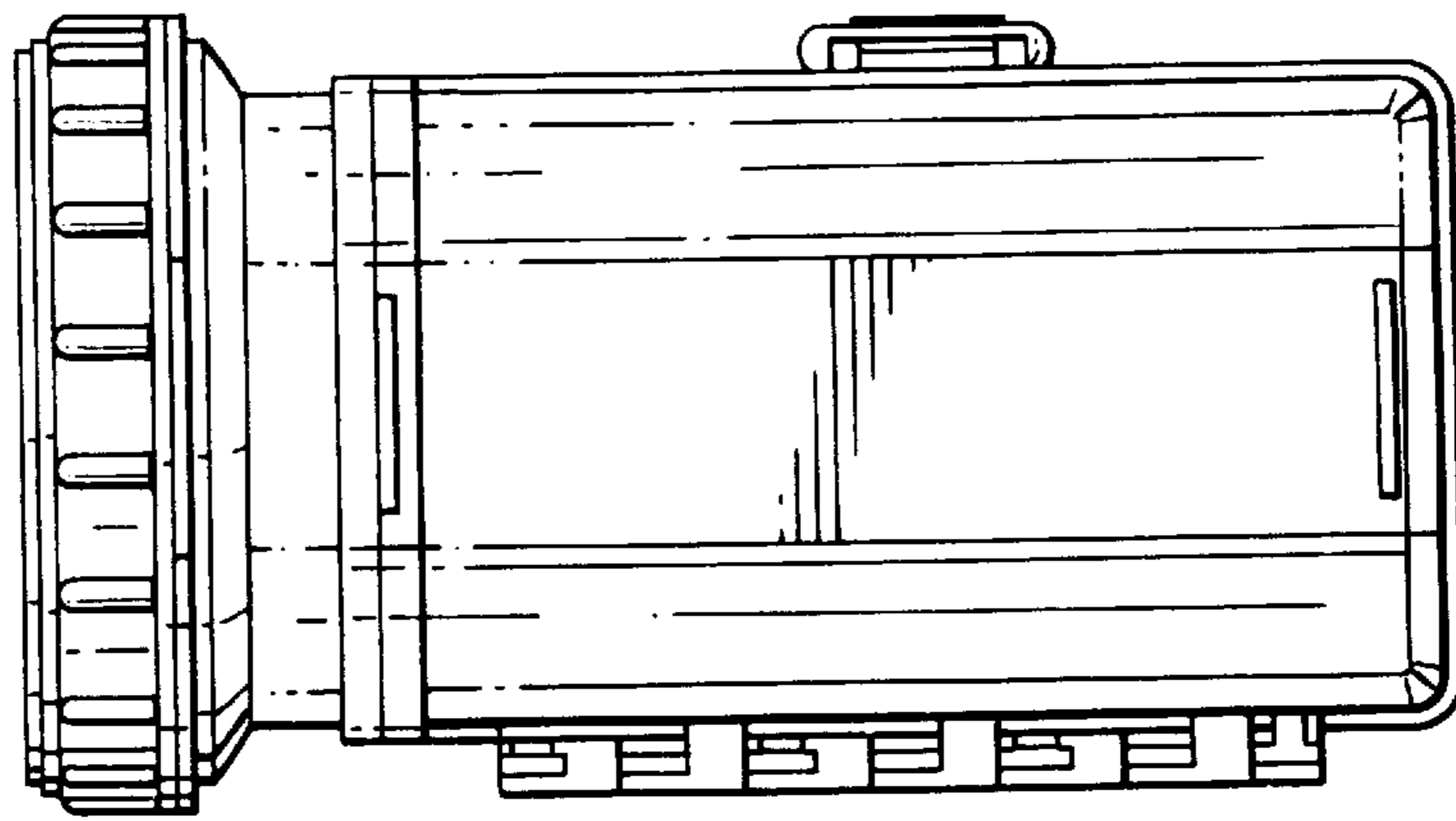


FIG. 3

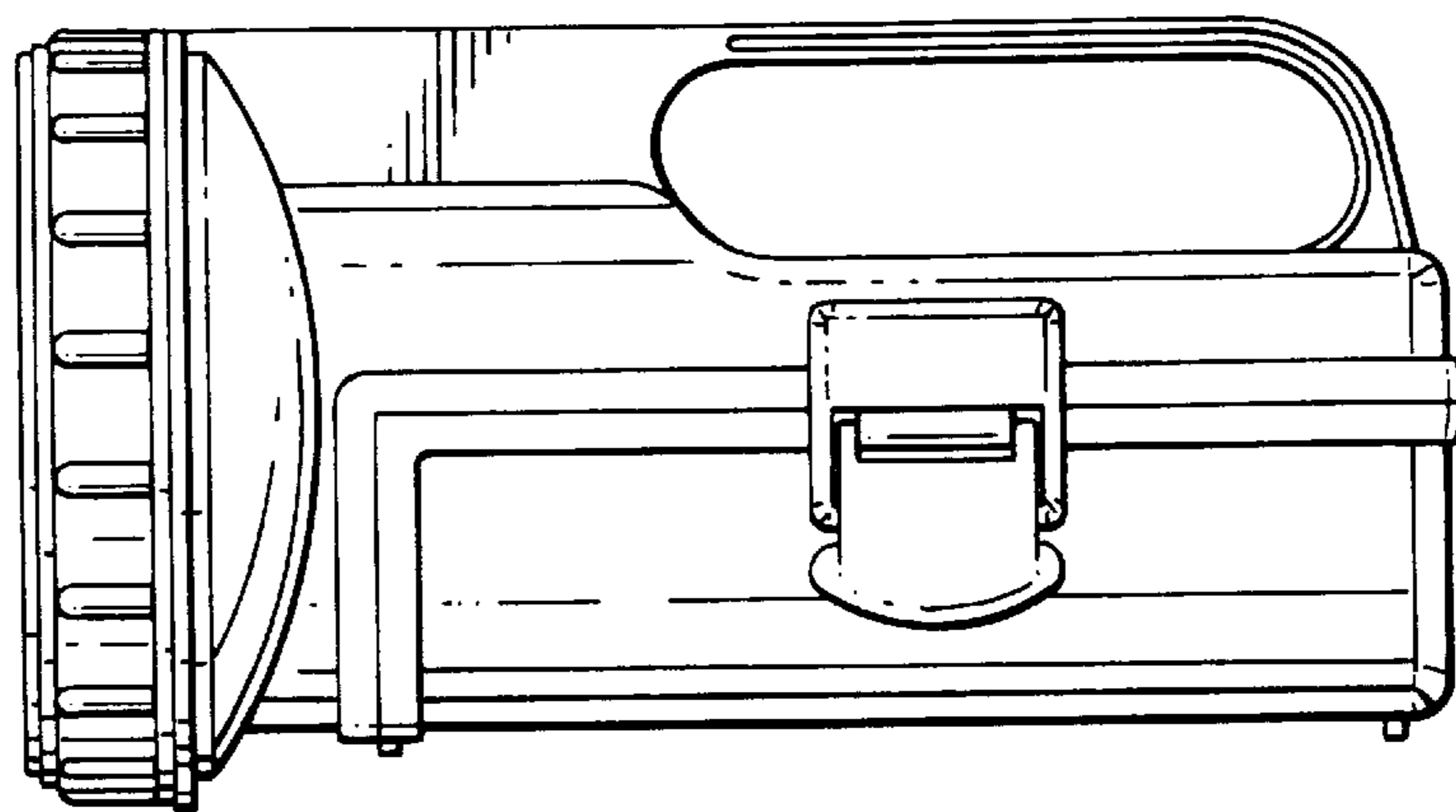


FIG. 4

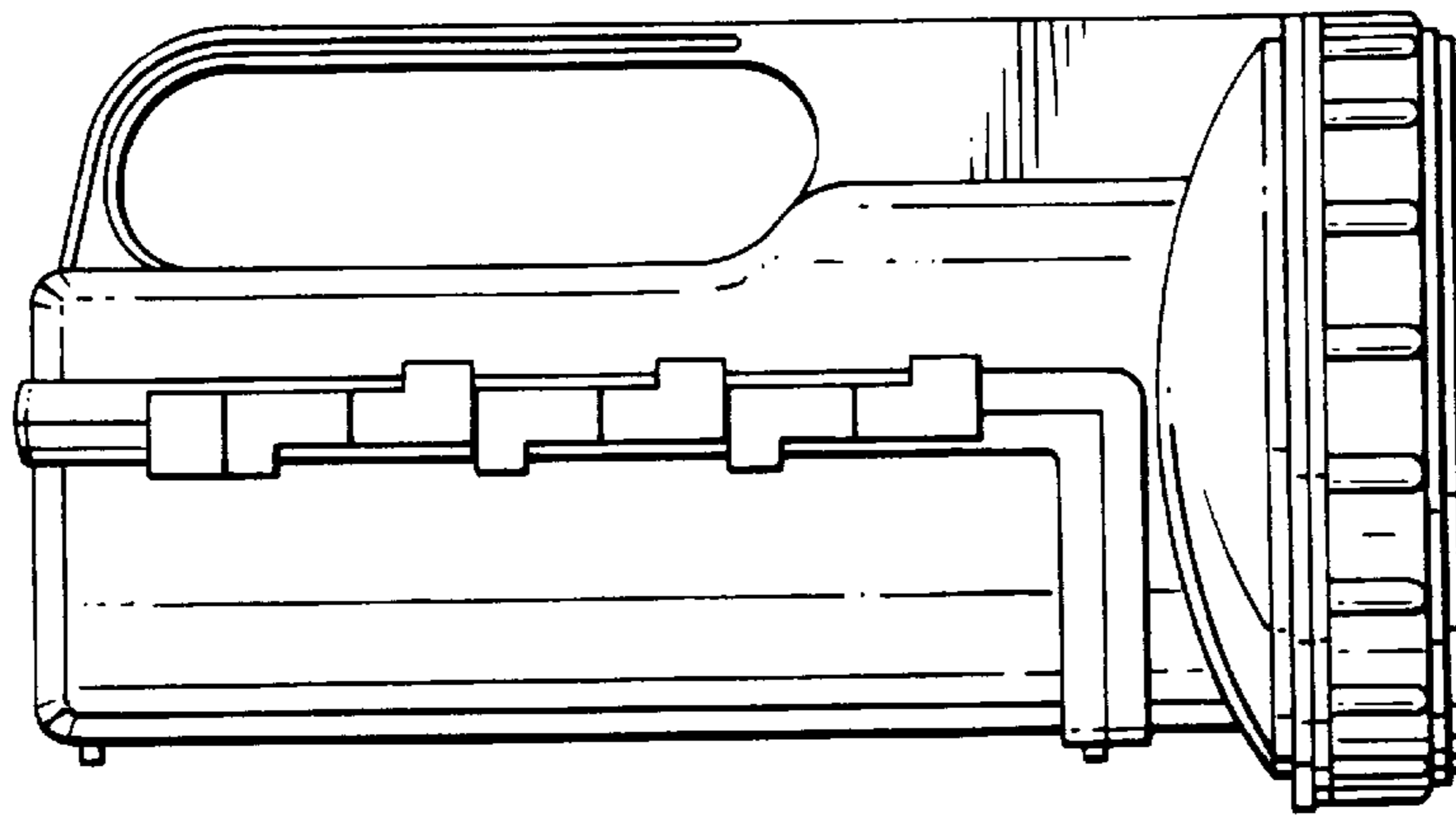


FIG. 5

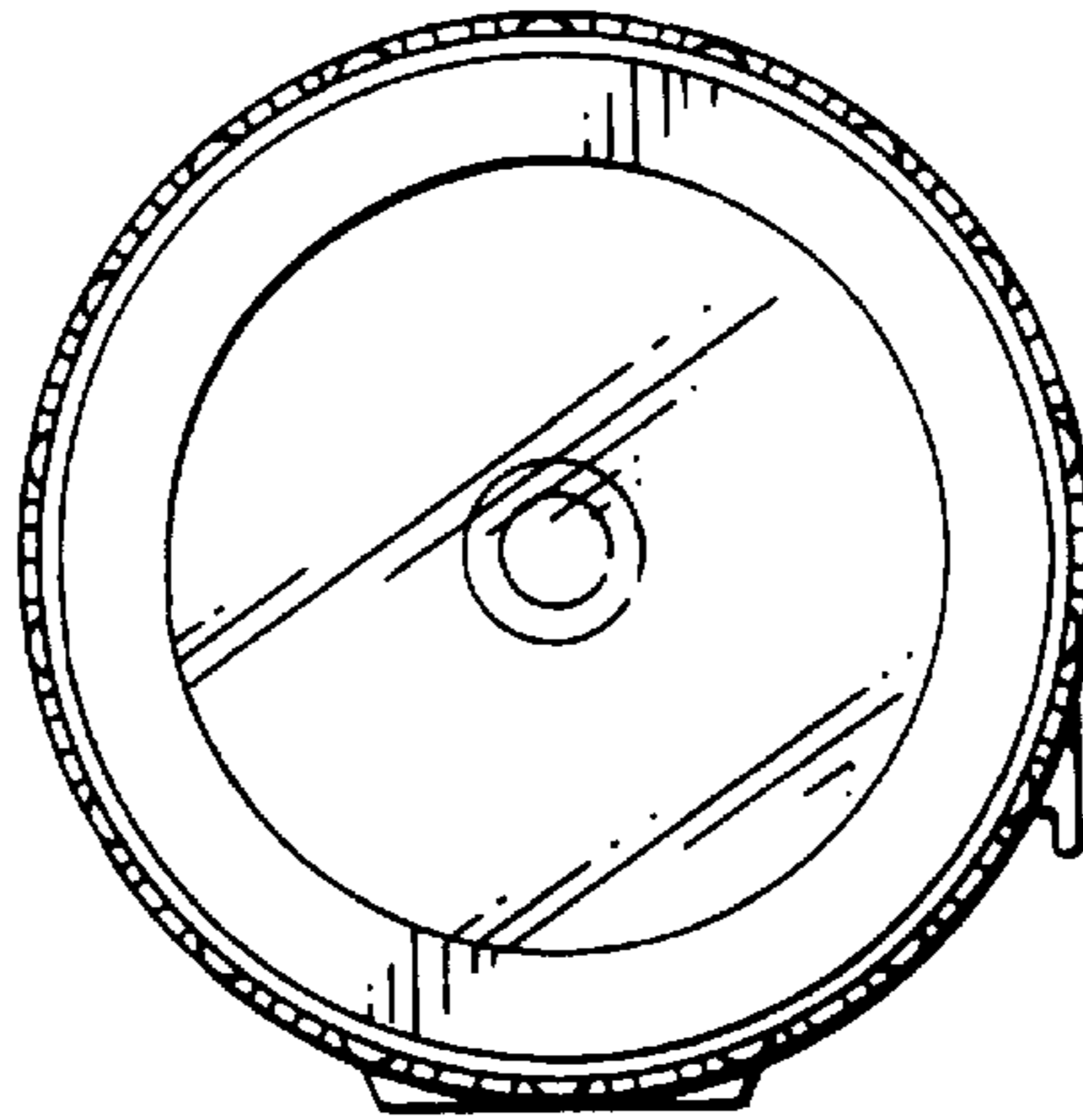


FIG. 6

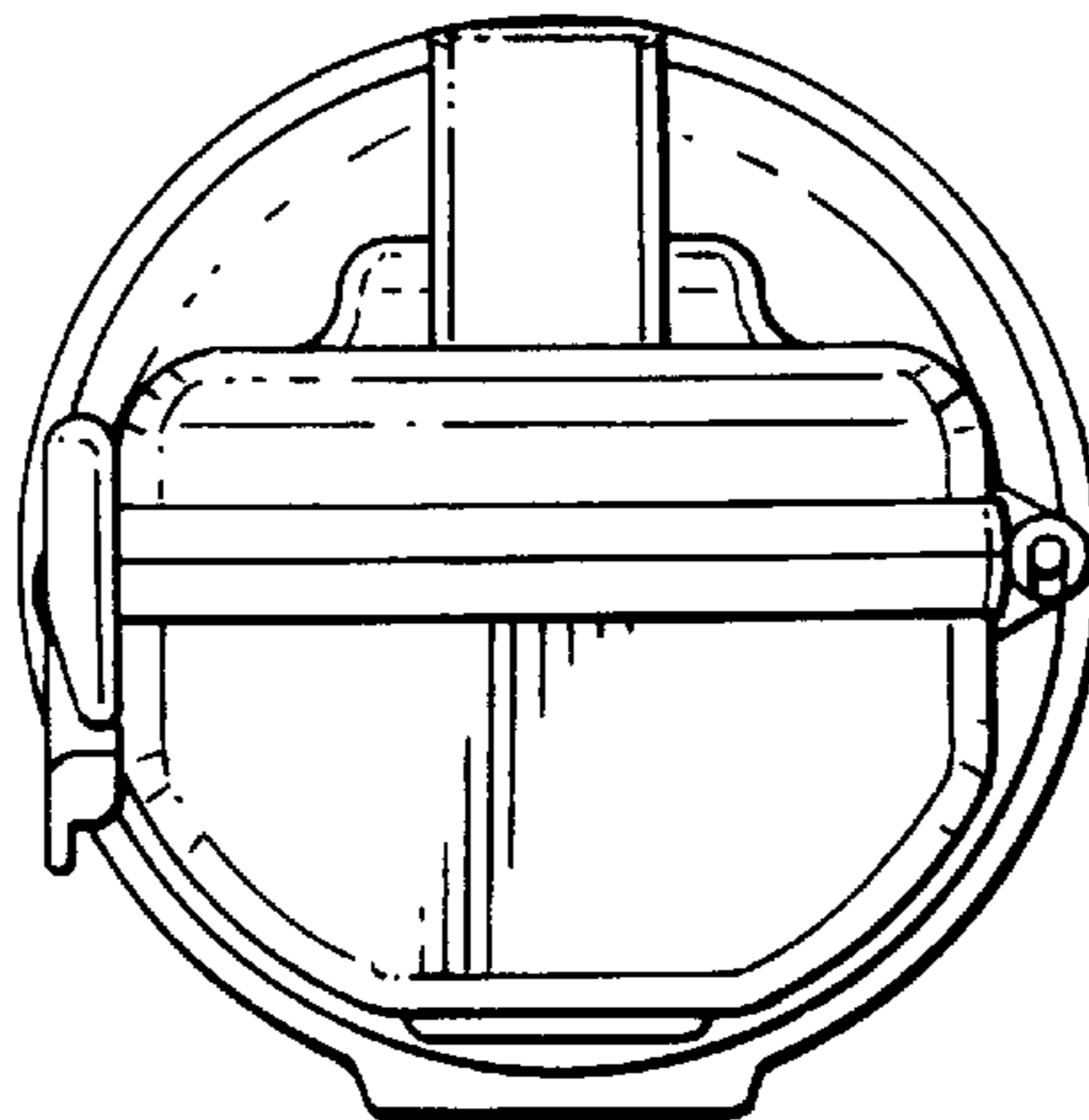


FIG. 7