



US00D406661S

United States Patent [19]
Morton et al.

[11] **Patent Number: Des. 406,661**
[45] **Date of Patent: **Mar. 9, 1999**

[54] **WINDOW COMPONENT EXTRUSION**
[75] Inventors: **Philip G. Morton**, Germantown; **David A. Stammen**, Dayton; **Ricky Hoskins**, Franklin, all of Ohio

D. 388,521 12/1997 Porter et al. .
D. 391,649 3/1998 Opielski et al. D25/124
4,941,288 7/1990 Morton .
5,660,010 8/1997 Sayers .

[73] Assignee: **Dayton Technologies, Inc.**, Monroe, Ohio

Primary Examiner—Doris Clark
Attorney, Agent, or Firm—Jacox, Meckstroth & Jenkins

[**] Term: **14 Years**

[57] **CLAIM**

[21] Appl. No.: **82,672**

The ornamental design for a window component extrusion, as shown and described.

[22] Filed: **Jan. 29, 1998**

[51] **LOC (6) Cl.** **25-01**

[52] **U.S. Cl.** **D25/124**

[58] **Field of Search** D25/52, 60, 119-125;
49/504, 505, DIG. 2; 52/204.5, 330.3, 730.4,
730.5, 204.1, 202, 731, 732

DESCRIPTION

The sole FIG. 1 is a front perspective view of a window component extrusion, showing our new design, the rear perspective view being a mirror image thereof.

[56] **References Cited**

U.S. PATENT DOCUMENTS

D. 346,452 4/1994 Bancroft D25/124

1 Claim, 1 Drawing Sheet

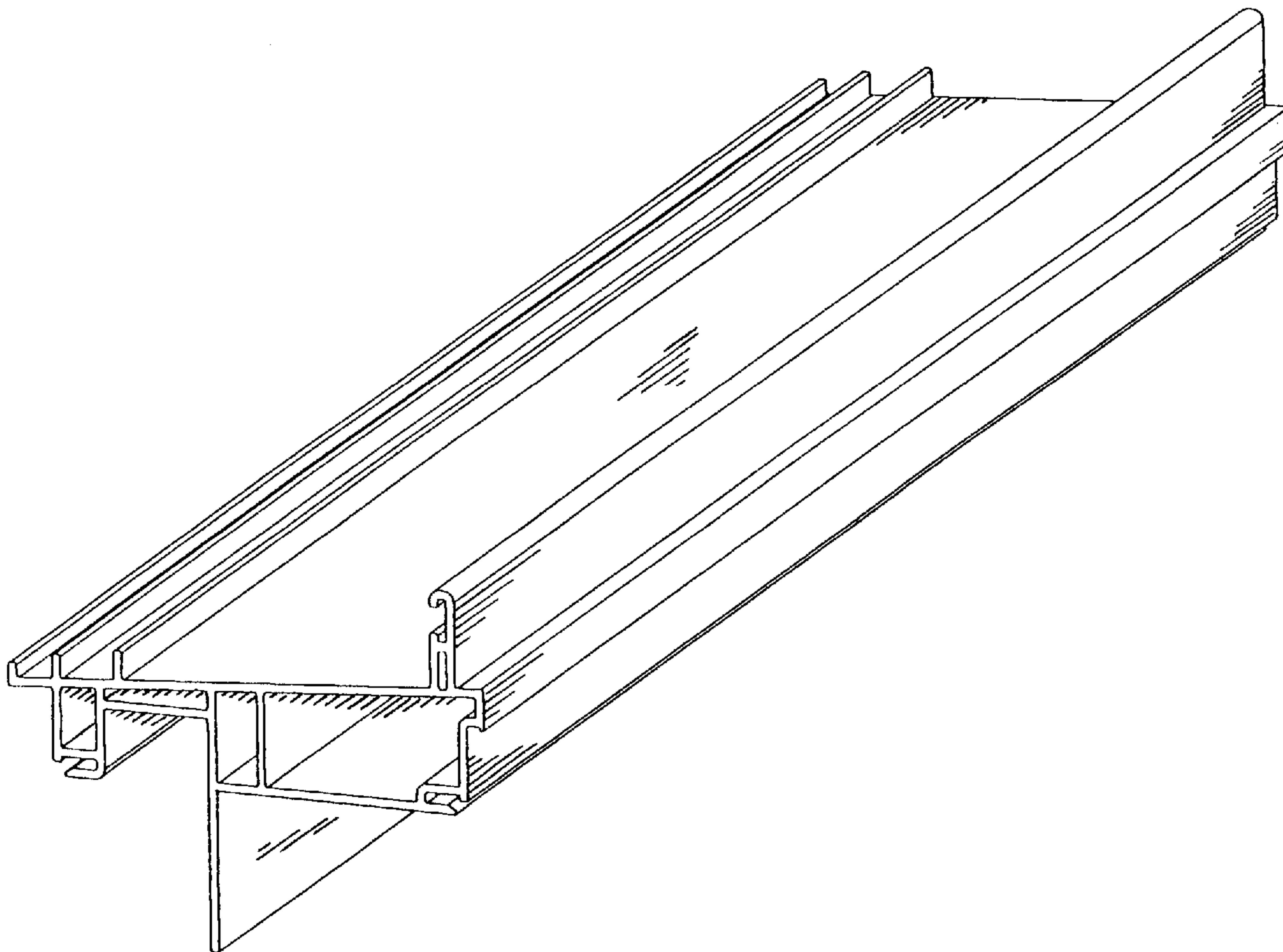


FIG-1

