



US00D406660S

United States Patent [19]

Morton et al.

[11] **Patent Number: Des. 406,660**

[45] **Date of Patent: **Mar. 9, 1999**

[54] **WINDOW COMPONENT EXTRUSION**

[75] Inventors: **Philip G. Morton**, Germantown;
Michael T. Chaney, Middletown;
David A. Stammen, Dayton, all of
Ohio

[73] Assignee: **Dayton Technologies, Inc.**, Monroe,
Ohio

[**] Term: **14 Years**

[21] Appl. No.: **82,671**

[22] Filed: **Jan. 29, 1998**

[51] **LOC (6) Cl.** **25-01**

[52] **U.S. Cl.** **D25/124**

[58] **Field of Search** D25/52, 60, 119-125;
49/504, 505, DIG. 2; 52/204.5, 730.3, 730.4,
730.5, 204.1, 202, 731, 732

[56] **References Cited**

U.S. PATENT DOCUMENTS

D. 346,452	4/1994	Bancroft	D25/124
D. 388,521	12/1997	Porter et al. .	
D. 391,649	3/1998	Opielski et al.	D25/124
4,941,288	7/1990	Morton .	
5,660,010	8/1997	Sayers .	

Primary Examiner—Doris Clark

Attorney, Agent, or Firm—Jacox, Meckstroth & Jenkins

[57] **CLAIM**

The ornamental design for a window component extrusion, as shown and described.

DESCRIPTION

The sole FIGURE is a front perspective view of a window component extrusion, showing our new design, the rear perspective view being a mirror image thereof.

1 Claim, 1 Drawing Sheet

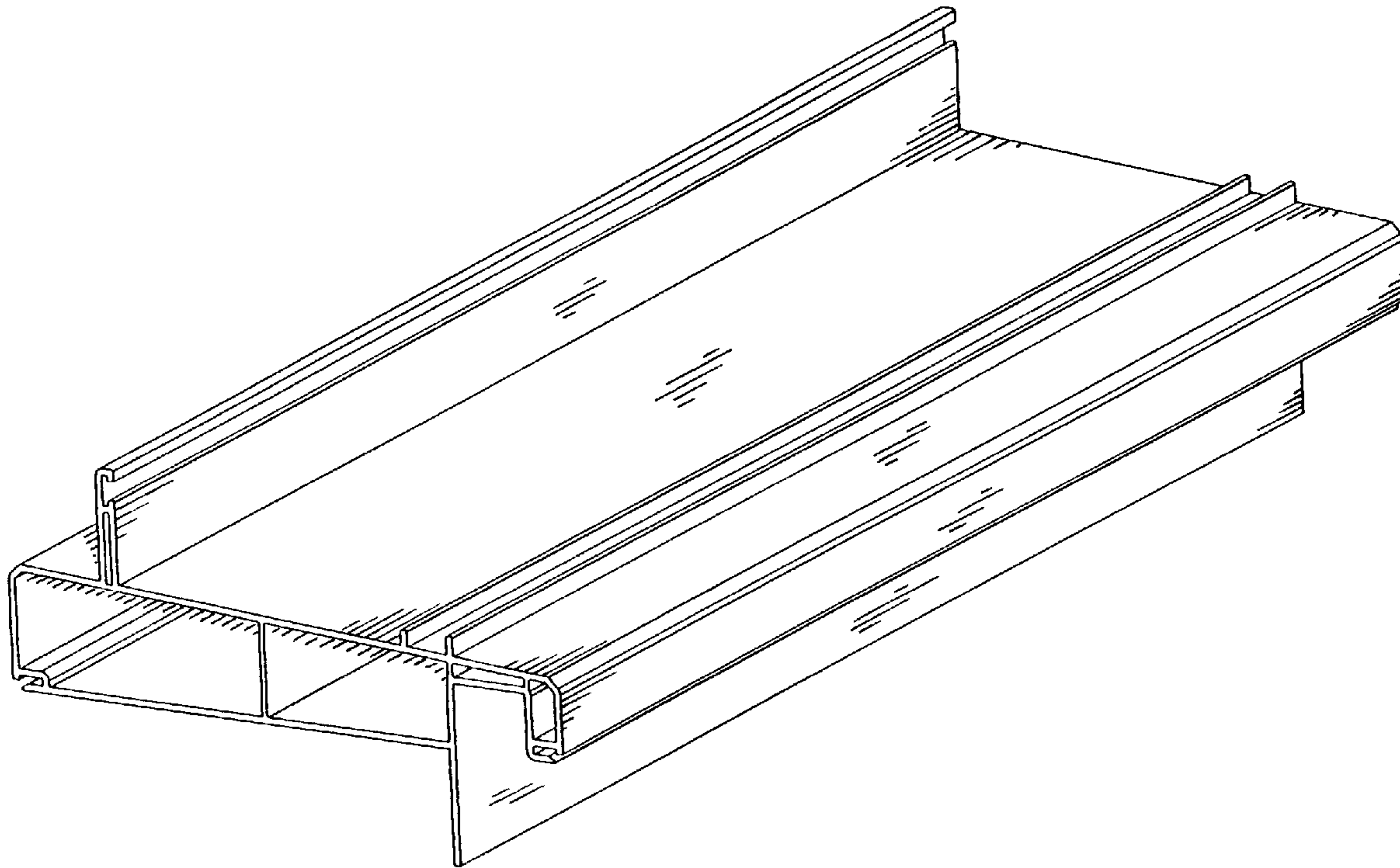


FIG-1

