



US00D406656S

**United States Patent** [19]  
**Stammen**

[11] **Patent Number: Des. 406,656**

[45] **Date of Patent: \*\*Mar. 9, 1999**

[54] **WINDOW COMPONENT EXTRUSION**

D. 374,092 9/1996 Hart ..... D25/124  
D. 388,521 12/1997 Porter et al. .  
4,941,288 7/1990 Morton .  
5,660,010 8/1997 Sayers .

[75] Inventor: **David A. Stammen**, Dayton, Ohio

[73] Assignee: **Dayton Technologies, Inc.**, Monroe, Ohio

[\*\*] Term: **14 Years**

*Primary Examiner*—Doris Clark  
*Attorney, Agent, or Firm*—Jacox, Meckstroth & Jenkins

[21] Appl. No.: **82,665**

[57] **CLAIM**

[22] Filed: **Jan. 29, 1998**

The ornamental design for a window component extrusion, as shown and described.

[51] **LOC (6) Cl.** ..... **25-01**

[52] **U.S. Cl.** ..... **D25/124**

[58] **Field of Search** ..... D25/52, 60, 119-125;  
49/504, 505, DIG. 2; 52/204.5, 730.3, 730.4,  
730.5, 204.1, 202, 731, 732

**DESCRIPTION**

The sole FIGURE is a front perspective view of a window component extrusion, showing my new design, the rear perspective view being a mirror image thereof.

[56] **References Cited**

**U.S. PATENT DOCUMENTS**

D. 360,267 7/1995 DiGiorgio ..... D25/124

**1 Claim, 1 Drawing Sheet**

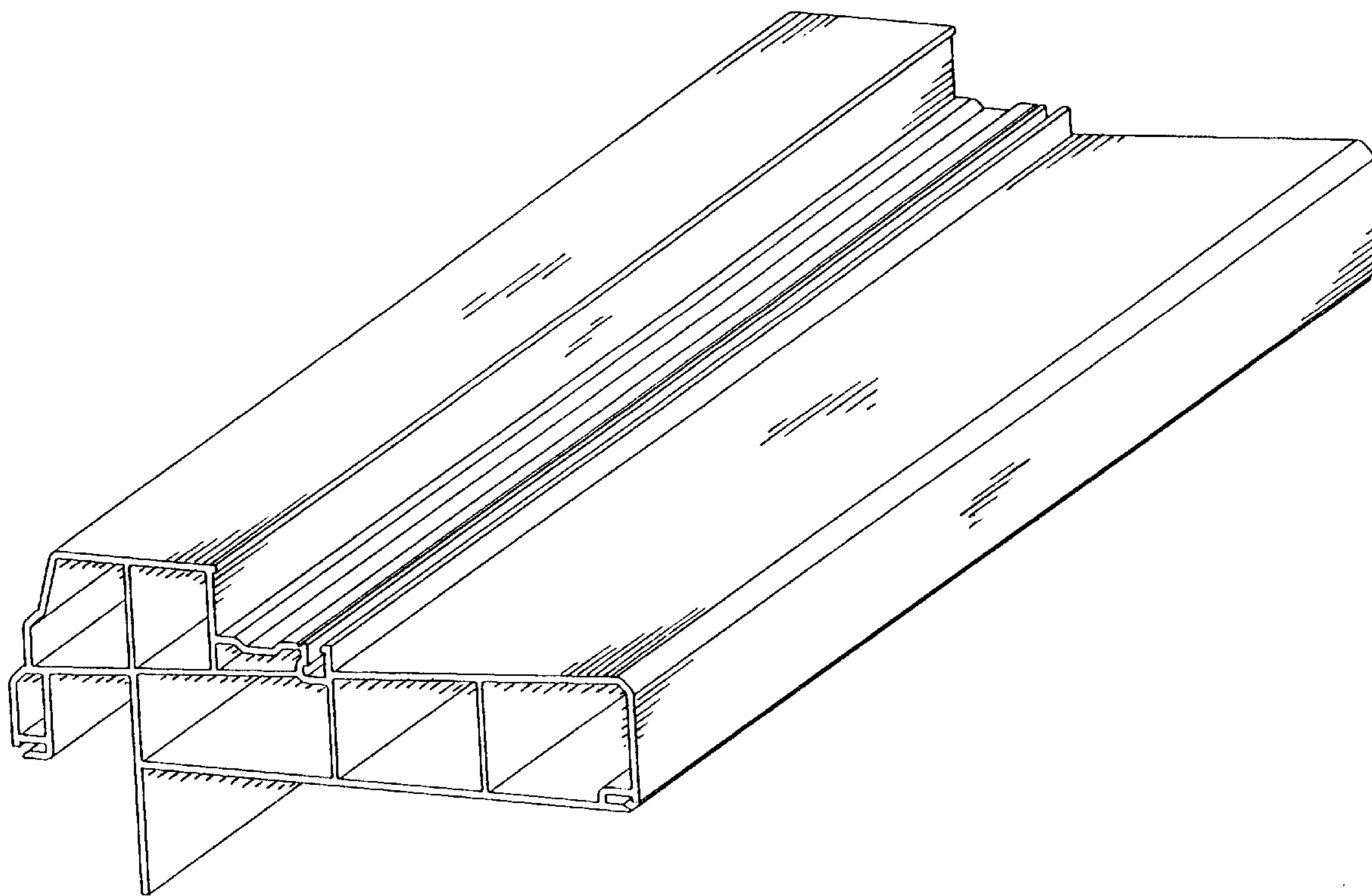


FIG-1

