



US00D406653S

# United States Patent [19]

Morton et al.

[11] **Patent Number: Des. 406,653**

[45] **Date of Patent: \*\*Mar. 9, 1999**

[54] **WINDOW COMPONENT EXTRUSION**

[75] Inventors: **Philip G. Morton**, Germantown;  
**Michael T. Chaney**, Middletown;  
**David A. Stammen**, Dayton, all of  
Ohio

[73] Assignee: **Dayton Technologies, Inc.**, Monroe,  
Ohio

[\*\*] Term: **14 Years**

[21] Appl. No.: **82,662**

[22] Filed: **Jan. 29, 1998**

[51] **LOC (6) Cl. .... 25-01**

[52] **U.S. Cl. .... D25/124**

[58] **Field of Search .... D25/52, 60, 119,**  
D25/125; 49/504, 505, DIG. 2; 52/204.5,  
730.3, 730.4, 730.5, 204.1, 202, 731, 732

[56] **References Cited**

**U.S. PATENT DOCUMENTS**

D. 285,612 9/1986 Slocomb, Jr. .... D25/124

D. 338,720 8/1993 Moss et al. .... D25/124

D. 346,668 5/1994 Bancroft .... D25/124

D. 388,521 12/1997 Porter et al. .

4,941,288 7/1990 Morton .

5,660,010 8/1997 Sayers .

*Primary Examiner*—Doris Clark

*Attorney, Agent, or Firm*—Jacox, Meckstroth & Jenkins

[57] **CLAIM**

The ornamental design for a window component extrusion,  
as shown and described.

**DESCRIPTION**

The sole FIGURE is a front perspective view of a window  
component extrusion, showing our new design, the rear  
perspective view being a mirror image thereof.

**1 Claim, 1 Drawing Sheet**

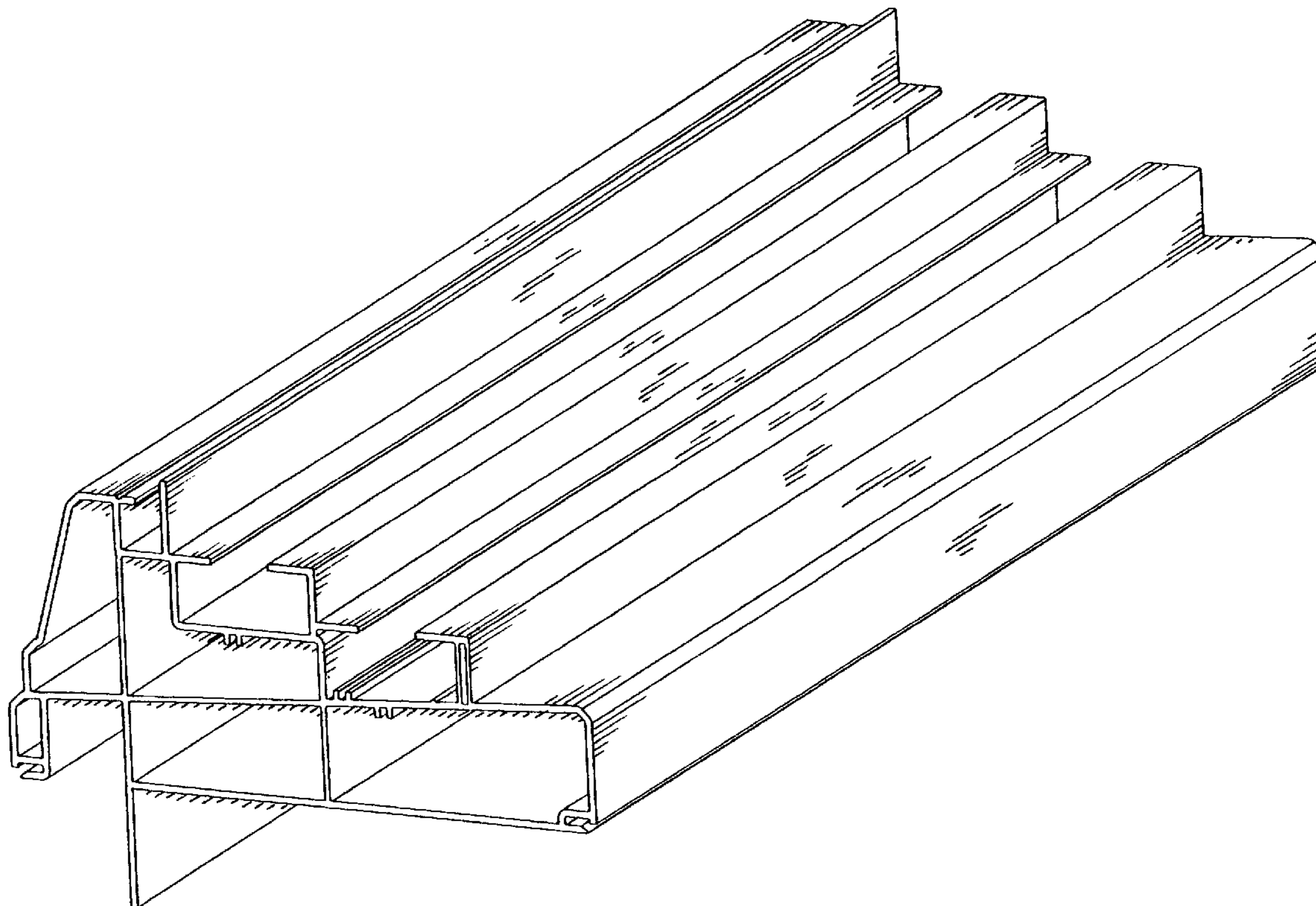


FIG-1

