



US00D406646S

United States Patent [19] Stone

[11] **Patent Number: Des. 406,646**

[45] **Date of Patent: **Mar. 9, 1999**

[54] **NEURO SUB-TEMPORAL PLATE FOR OSTEOSYNTHESIS**

[75] Inventor: **Kevin T. Stone**, Warsaw, Ind.

[73] Assignee: **Walter Lorenz Surgical, Inc.**, Jacksonville, Fla.

[**] Term: **14 Years**

[21] Appl. No.: **50,470**

[22] Filed: **Feb. 20, 1996**

[51] **LOC (6) Cl.** **24-03**

[52] **U.S. Cl.** **D24/155; D6/332; D25/138; 623/11; 623/16**

[58] **Field of Search** **D24/155; D6/332; D25/138; 623/11, 16; 609/69-72**

[56] **References Cited**

U.S. PATENT DOCUMENTS

1,105,105 7/1914 Sherman .
2,494,229 1/1950 Collison .

(List continued on next page.)

FOREIGN PATENT DOCUMENTS

0 290 138 A2 4/1988 European Pat. Off. .
2386-301 11/1978 France .
2386301 11/1978 France 606/69
2631539 5/1988 France .
2806609 7/1979 Germany .
0 291 632 A1 2/1988 Germany .
0 433 852 A1 12/1990 Germany .

OTHER PUBLICATIONS

Translation of G 85 23 003.8 (Germany), Bone Plate, Feb. 1986, Oswald Leibinger GmbH (Owner).

Leibinger LP, *Leibinger*, copyright 1995, (1 sheet).

For The Few Who Know The Difference, TiMesh Inc. (1 sheet).

Walter Lorenz Surgical, Inc., "Surgical Instrument Catalog 5th Edition", copyright ©1993, pp. 10-11.

Codman & Shurtleff, Inc., Makers of Surgeons Instruments, *Neurosurgical Quality Instruments*, "Todd Burr Hole Buttons", Skull Plates, Tantalum Materials and Vitallium Skull plates—Clip Applying Forceps, copyright 1965, pp. 10-13. Howmedica International, Inc., *Vitallium—Verschiedene Implantate*, p. 54.

(List continued on next page.)

Primary Examiner—Louis S. Zarfes
Assistant Examiner—Gregory Andoli
Attorney, Agent, or Firm—Harness, Dickey & Pierce, P.L.C.

[57] **CLAIM**

The ornamental design for a neuro sub-temporal plate for osteosynthesis, as shown and described.

DESCRIPTION

FIG. 1 is a perspective view of a first embodiment of a neuro sub-temporal plate for osteosynthesis showing my new design;

FIG. 2 is a top view of the neuro sub-temporal plate for osteosynthesis of FIG. 1;

FIG. 3 is a bottom view of the neuro sub-temporal plate for osteosynthesis of FIG. 1;

FIG. 4 is a front view of the neuro sub-temporal plate for osteosynthesis of FIG. 1, with the understanding that the back view is a mirror image of the front view;

FIG. 5 is a right side view of the neuro sub-temporal plate for osteosynthesis of FIG. 1, with the understanding that the left side view is a mirror image of the right side view;

FIG. 6 is a perspective view of a second embodiment of a neuro sub-temporal plate for osteosynthesis;

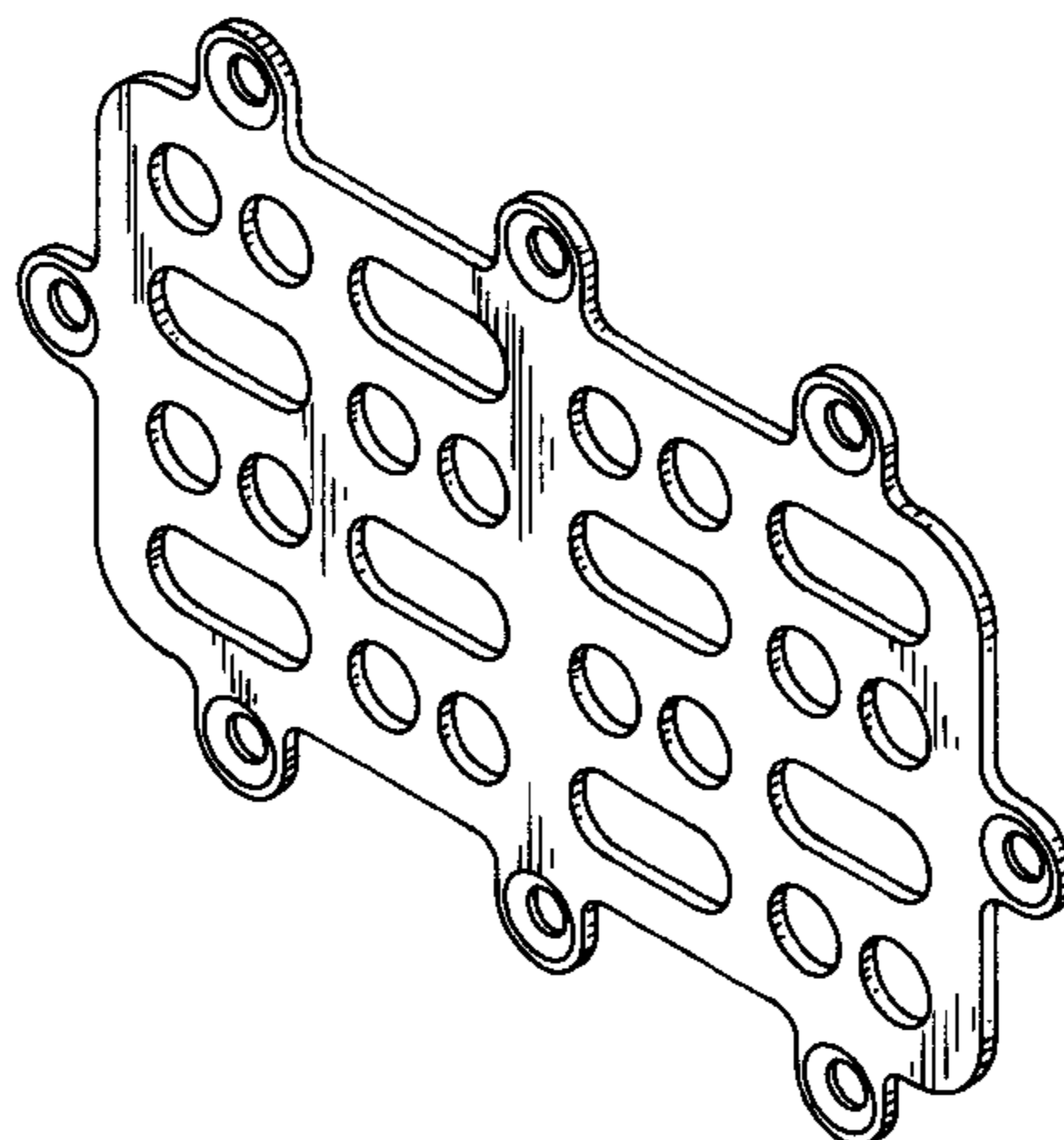
FIG. 7 is a top view of the neuro sub-temporal plate for osteosynthesis of FIG. 6;

FIG. 8 is a bottom view of the neuro sub-temporal plate for osteosynthesis of FIG. 6;

FIG. 9 is a front view of the neuro sub-temporal plate for osteosynthesis of FIG. 6, with the understanding that the back view is a mirror image of the front view; and,

FIG. 10 is a right side view of the neuro sub-temporal plate for osteosynthesis of FIG. 6, with the understanding that the left side view is a mirror image of the right side view.

1 Claim, 2 Drawing Sheets



U.S. PATENT DOCUMENTS

2,791,868 5/1957 Viken .
3,547,114 12/1970 Haboush .
3,779,240 12/1973 Kondo .
4,219,015 8/1980 Steinmann .
4,503,848 3/1985 Casper et al. .
4,683,878 8/1987 Carter .
4,793,335 12/1988 Frey et al. .
4,794,918 1/1989 Wolter 606/72
4,903,691 2/1990 Heidl .
4,905,679 3/1990 Morgan .
4,905,680 3/1990 Tunc .
5,087,202 2/1992 Krenkel .
5,201,737 4/1993 Leibinger et al. .
5,346,492 9/1994 Morgan .
5,372,598 12/1994 Luhr et al. .

5,413,577 5/1995 Pollock .
5,468,242 11/1995 Reisberg .
5,527,311 6/1996 Proctor et al. 606/69
5,578,036 11/1996 Stone et al. .
5,594,612 1/1997 Yapp et al. 606/69

OTHER PUBLICATIONS

M.E. Müller, M. Allgöwer and H. Willenegger, *Manual of Internal Fixation*, copyright 1970, pp. 46 and 47.
U. Heim and K.M. Pfeiffer, *Internal Fixation of Small Fractures*, copyright 1974, 1982 and 1988, p. 60.
Walter Lorenz Surgical, pp. 12/19, first and second items second row, 1995.
Walter Lorenz Surgical, Inc., *1.5/2.0mm Combination Titanium Osteosynthesis System*, copyright 1995.

