



US00D406641S

United States Patent [19] Siliato

[11] **Patent Number: Des. 406,641**

[45] **Date of Patent: **Mar. 9, 1999**

[54] **TOILET SEAT HANDLE**

[76] Inventor: **Thomas A. Siliato**, 101-31 110th St.,
Richmond Hill, N.Y. 11419

[**] Term: **14 Years**

[21] Appl. No.: **85,610**

[22] Filed: **Mar. 26, 1998**

[51] **LOC (6) Cl. 23-02**

[52] **U.S. Cl. D23/311**

[58] **Field of Search D23/303-313;**
D8/300-311; 4/246.1-246.4, 661, 243.6,
217, 237, 236, 238

[56] **References Cited**

U.S. PATENT DOCUMENTS

D. 309,091	7/1990	Shepard	D8/305
D. 325,331	4/1992	Onstad	D8/307
D. 329,186	9/1992	Sorensen	D8/307
D. 351,550	10/1994	Clark et al.	D8/307
D. 374,711	10/1996	Regas	D23/309
D. 379,497	5/1997	Renhro et al.	D23/309
D. 394,097	5/1998	Nivin et al.	D23/309
4,574,401	3/1986	Nakjima	4/251
4,805,246	2/1989	DeVargas et al.	4/251
4,839,928	6/1989	Probasco	4/251
4,920,586	5/1990	Giallourakis	4/251
5,058,215	10/1991	Sims	4/251

Primary Examiner—Louis S. Zarfes
Assistant Examiner—Eric Watterson
Attorney, Agent, or Firm—Goldstein & Canino

[57] **CLAIM**

The ornamental design for a toilet seat handle, as shown and described.

DESCRIPTION

FIG. 1 is a perspective view of the toilet seat handle in full lines with a toilet and toilet seat, the seat being in the raised position, shown in broken lines representing environmental association matter being for illustrative purposes only and forming no part of the claimed invention;

FIG. 2 is a perspective view of the toilet seat handle in full lines with a toilet and toilet seat, the seat being in the lowered position, shown in broken lines representing environmental association matter being for illustrative purposes only and forming no part of the claimed invention;

FIG. 3 is an enlarged elevational view of the toilet seat handle;

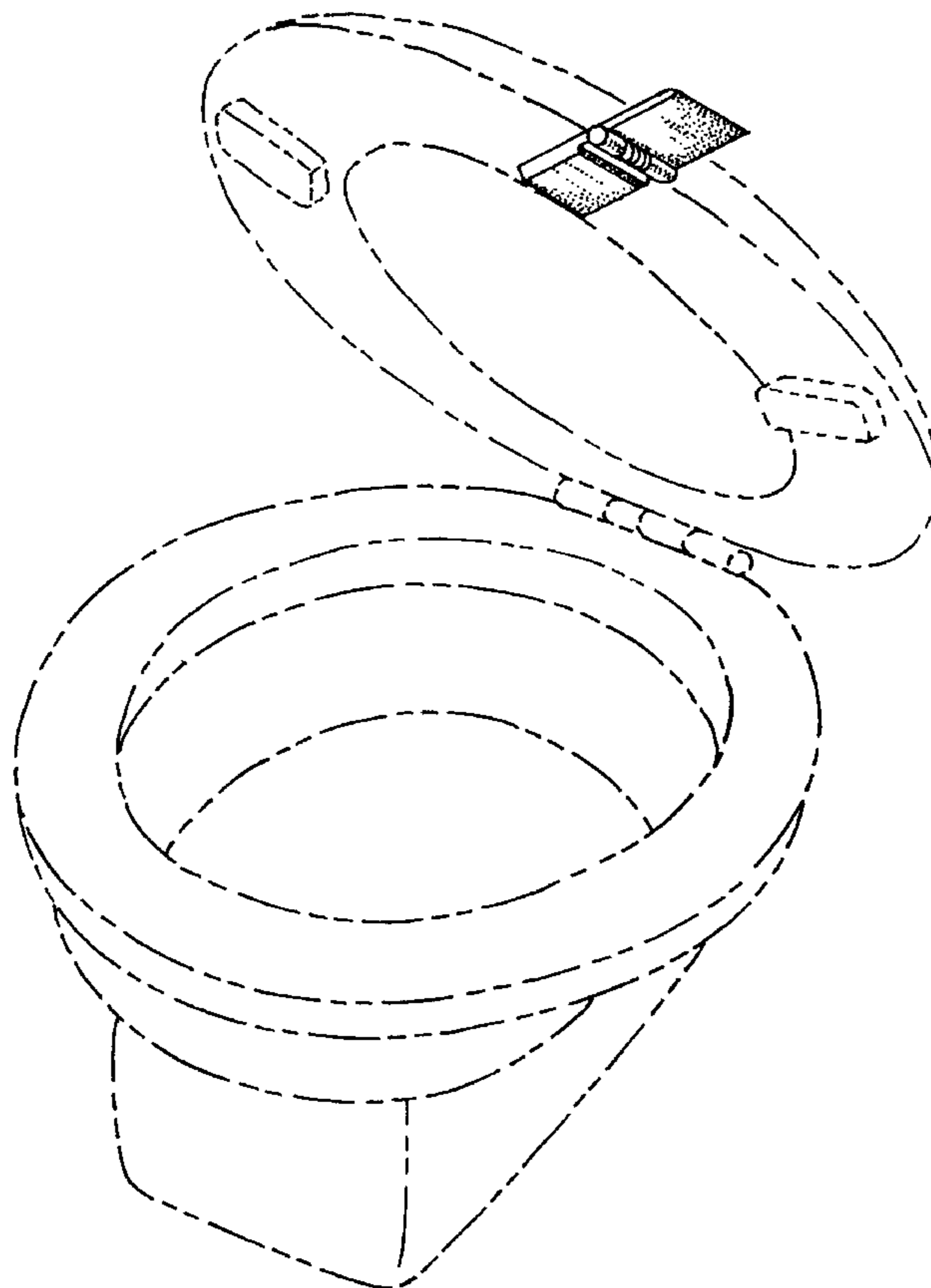
FIG. 4 is a rear elevational view thereof;

FIG. 5 is a bottom plan view thereof;

FIG. 6 is an enlarged top plan view of the toilet seat handle; and,

FIG. 7 is a right side elevational view thereof, the left side view being a mirror image of the right side view.

1 Claim, 3 Drawing Sheets



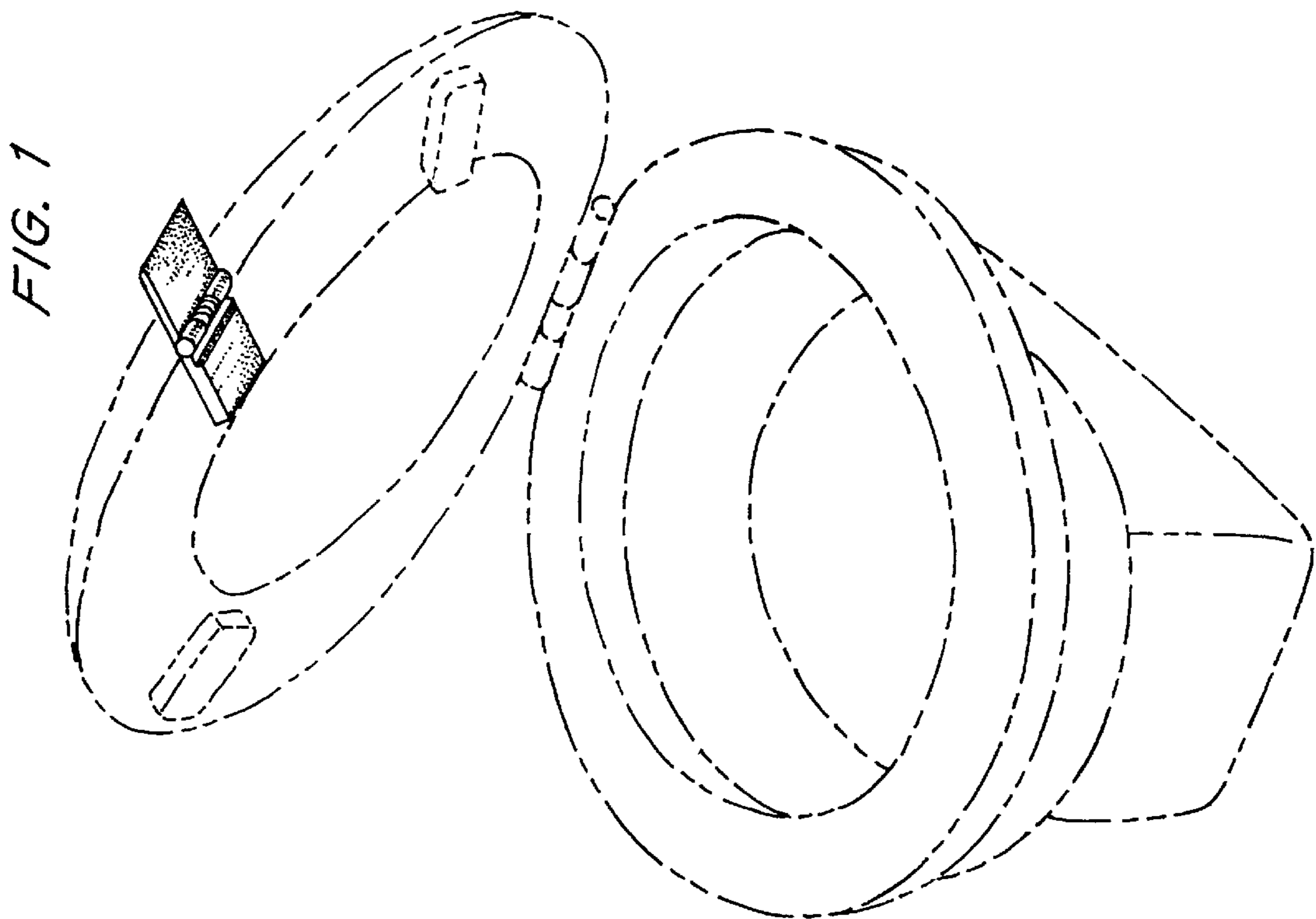
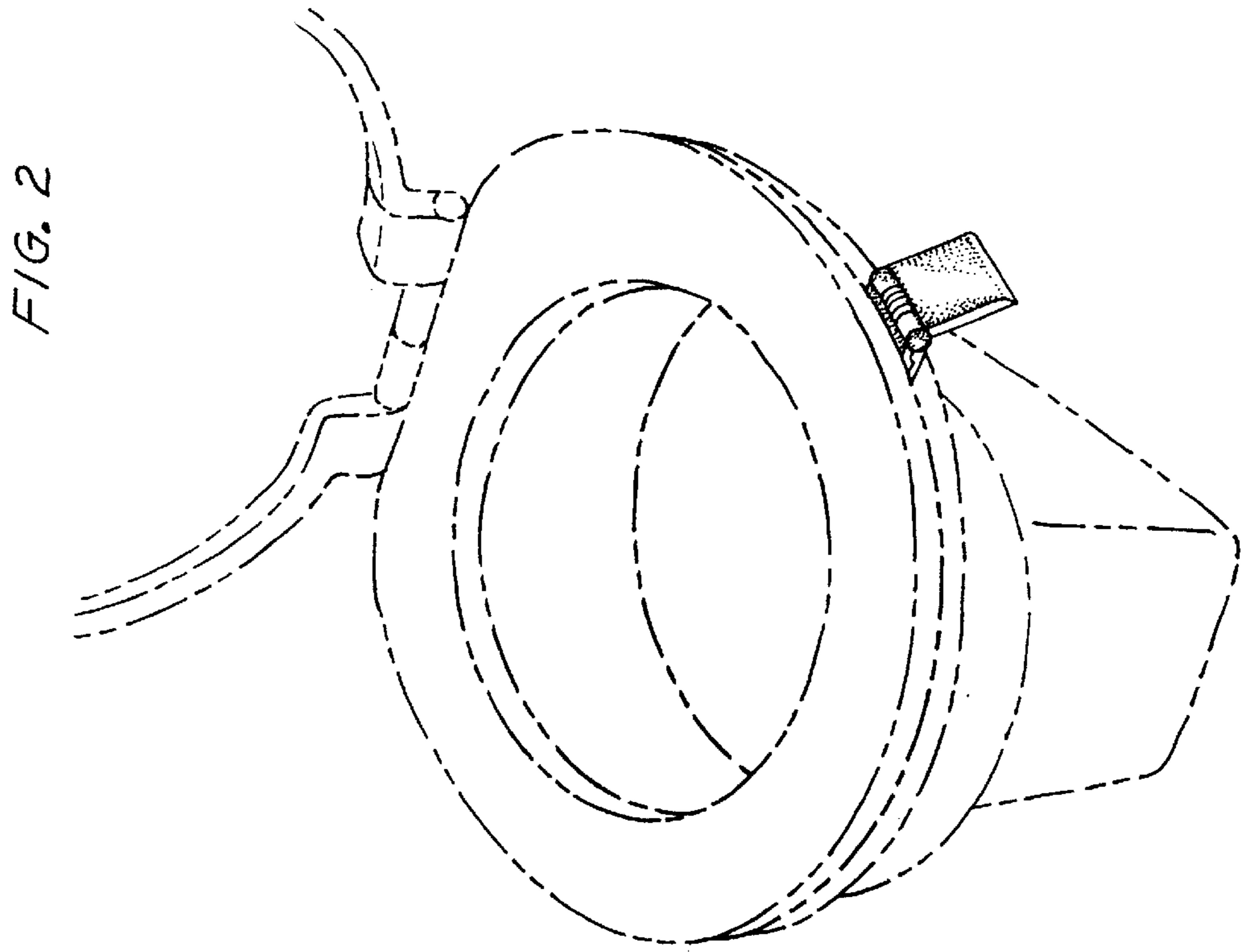


FIG. 3

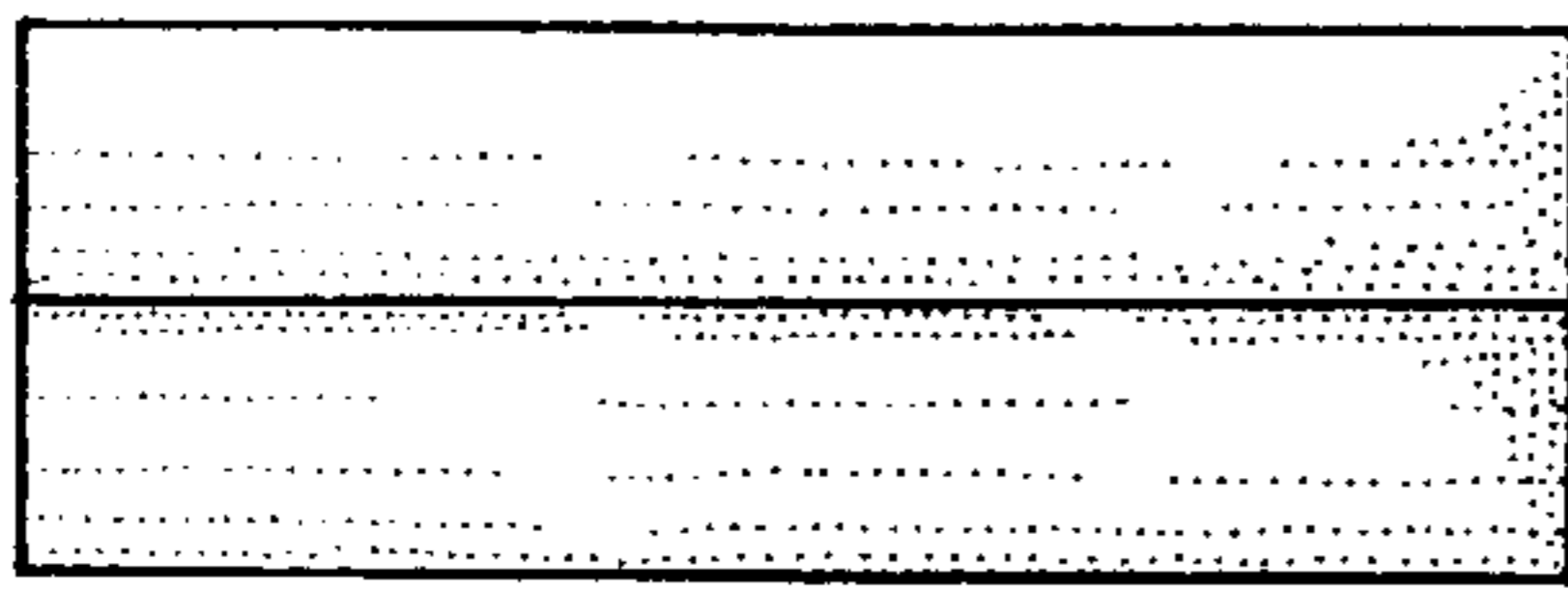


FIG. 4

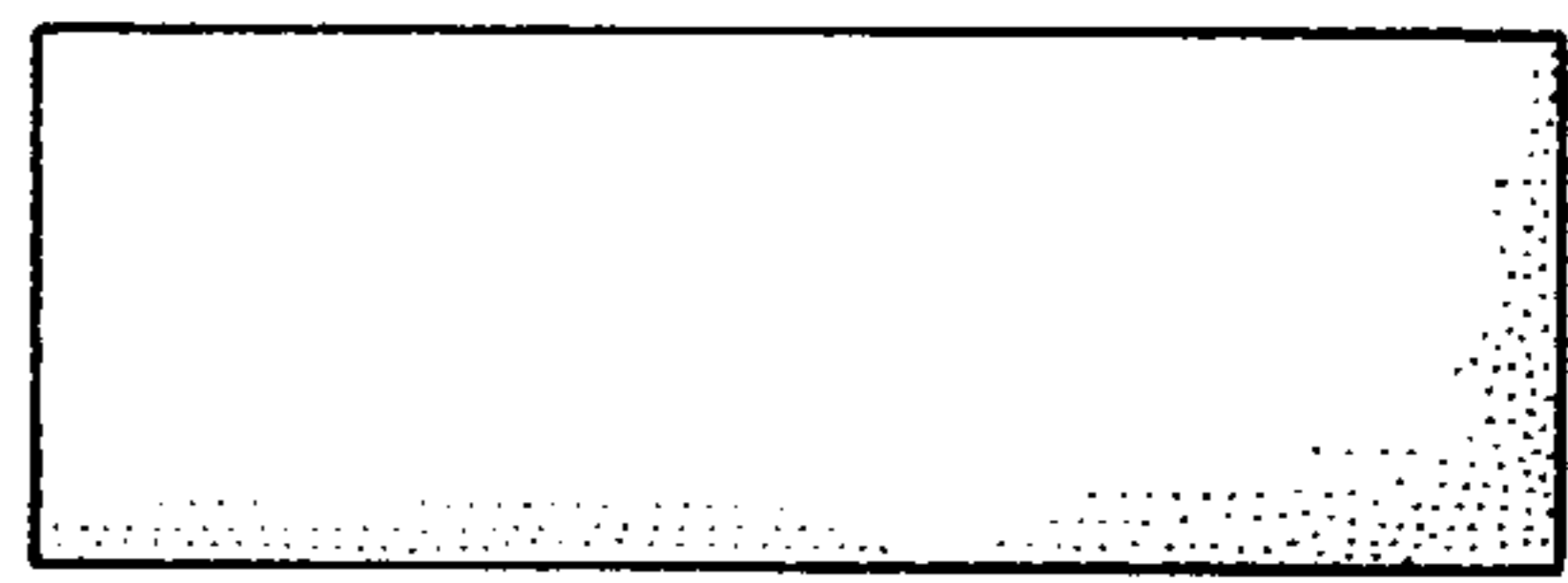


FIG. 7

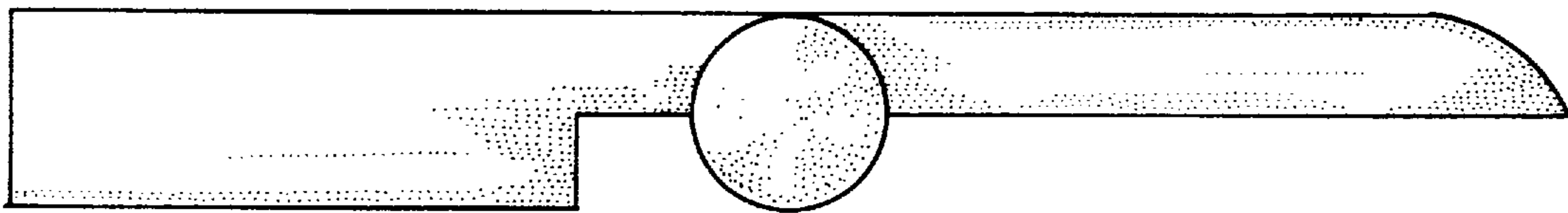


FIG. 5

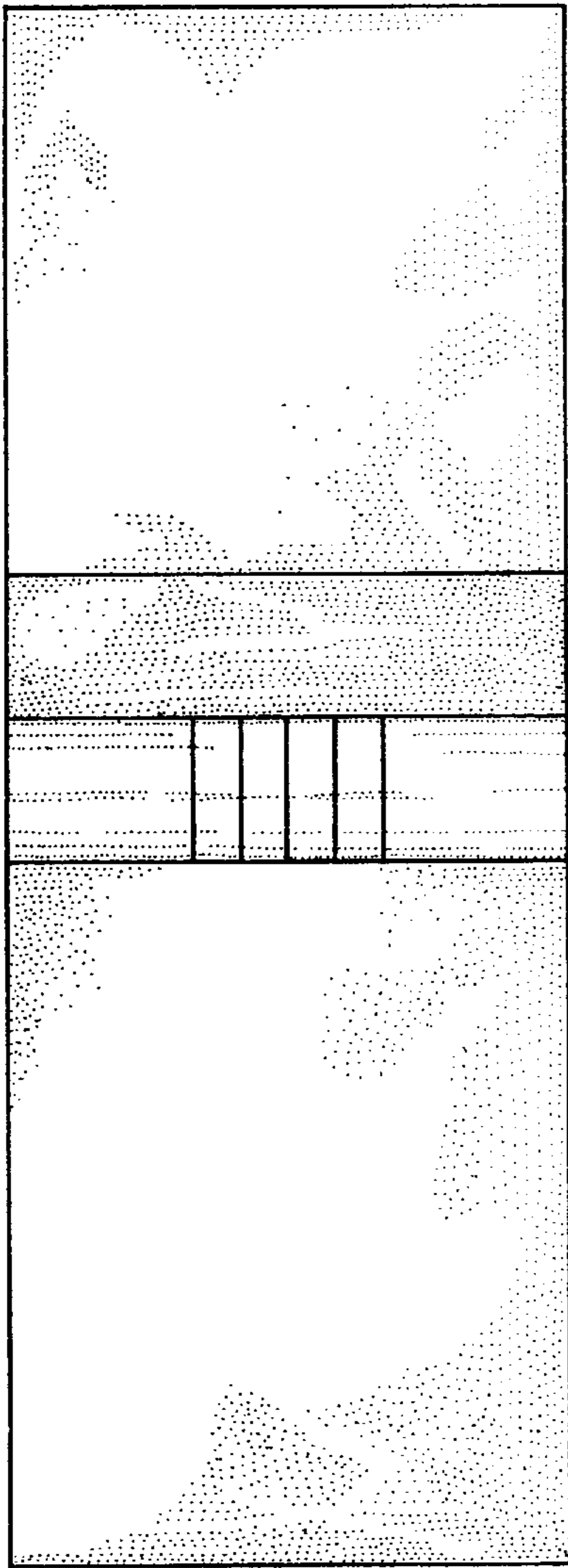


FIG. 6

