



US00D406640S

United States Patent [19] Gustafsson

[11] **Patent Number: Des. 406,640**

[45] **Date of Patent: **Mar. 9, 1999**

[54] **ASPIRATING PIPE FITTING**

2,011,721 8/1935 Luff 285/179
4,822,080 4/1989 Darish 285/179

[75] Inventor: **Johan Gustafsson**, Umea, Sweden

[73] Assignee: **Fumex AB**, Skelleftea, Sweden

[**] Term: **14 Years**

[21] Appl. No.: **51,473**

[22] Filed: **Mar. 11, 1996**

[30] **Foreign Application Priority Data**

Sep. 11, 1995 [SE] Sweden 95-1706

[51] **LOC (6) Cl.** **23-01**

[52] **U.S. Cl.** **D23/263**

[58] **Field of Search** D23/259, 262,
D23/263; 285/153, 154, 179, 183; 4/216

[56] **References Cited**

U.S. PATENT DOCUMENTS

D. 254,564	3/1980	Johnson	D23/263
D. 283,833	5/1986	Macintyre	D23/263
D. 345,413	3/1994	Brown	D23/263
1,018,021	2/1912	Willets	285/179 X
1,025,642	5/1912	Perkins	285/179 X
1,413,624	4/1922	Sperry	285/179 X

FOREIGN PATENT DOCUMENTS

864180	4/1941	France	285/179
122737	2/1919	United Kingdom	285/179

Primary Examiner—Ted Shooman
Assistant Examiner—C. Tuttle
Attorney, Agent, or Firm—Pillsbury Madison & Sutro LLP

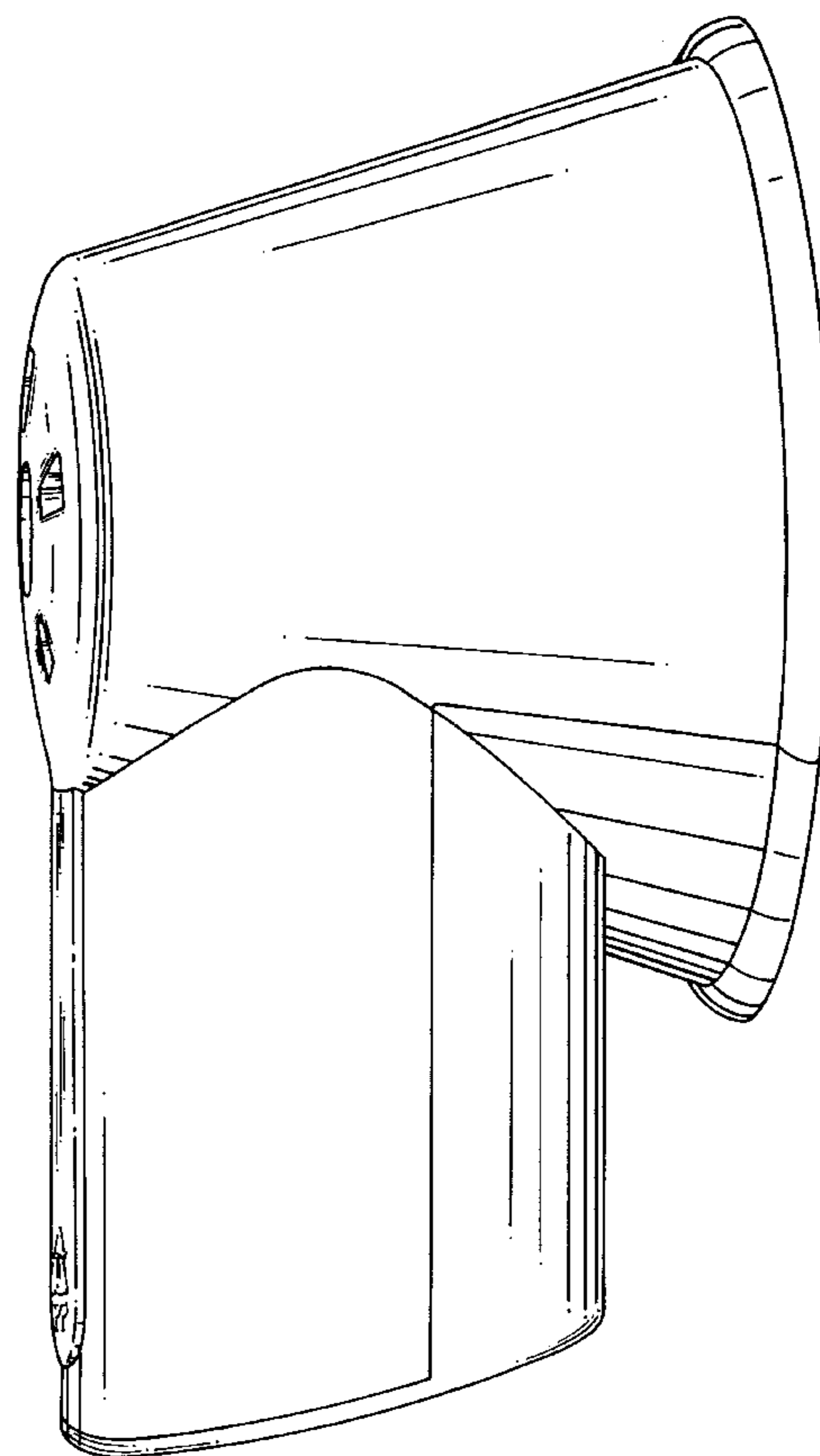
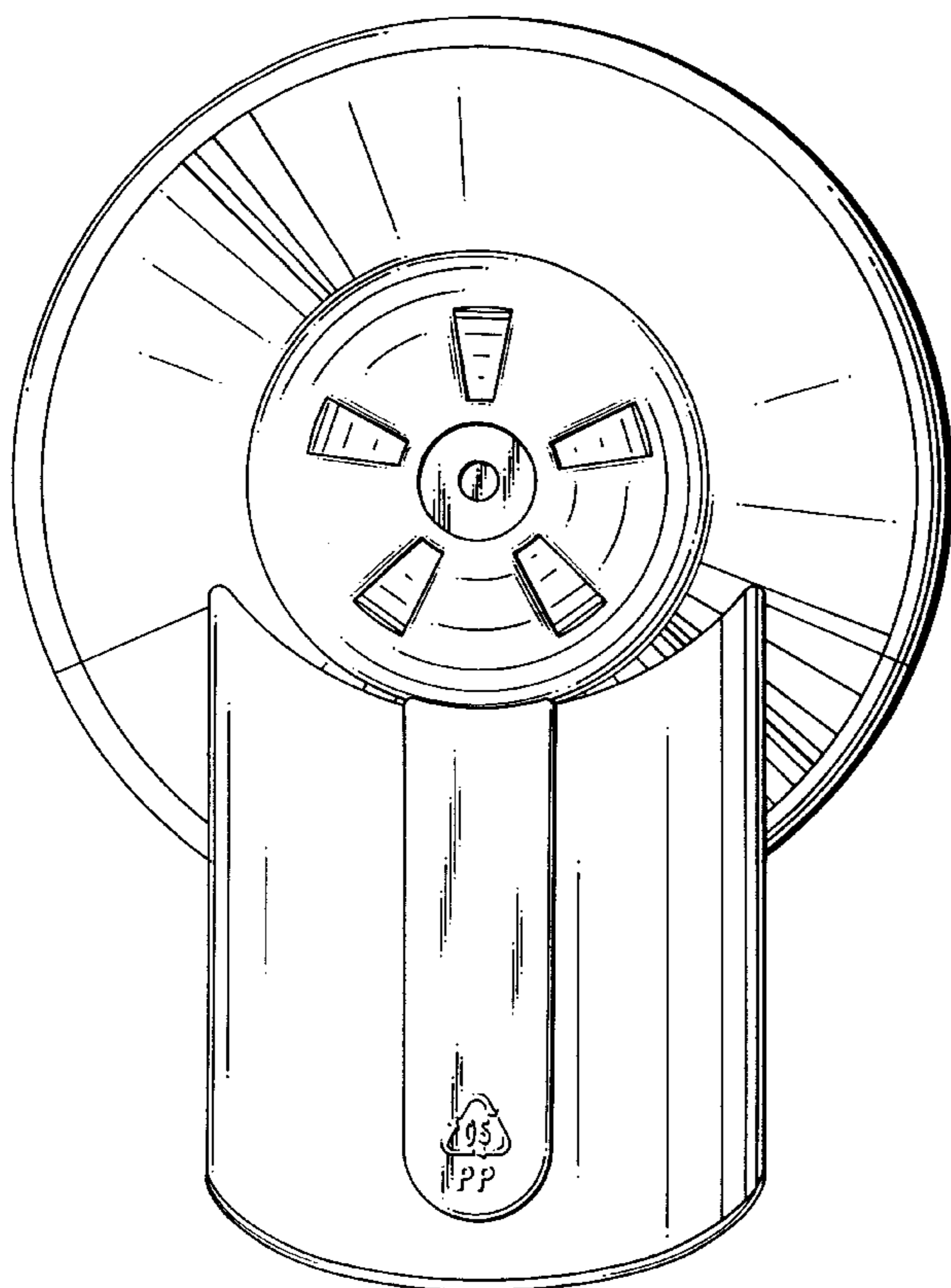
[57] CLAIM

The ornamental design for an aspirating pipe fitting, as shown and described.

DESCRIPTION

FIG. 1 is a front elevational view of an aspirating pipe fitting showing my new design;
FIG. 2 is a rear elevational view thereof;
FIG. 3 is a left side perspective view thereof, the right side being a mirror image thereof;
FIG. 4 is a top plan view thereof; and,
FIG. 5 is a bottom plan view thereof.
The broken outline which defines the bounds of the inside surface of the claim in FIG. 1 forms no part thereof.

1 Claim, 5 Drawing Sheets



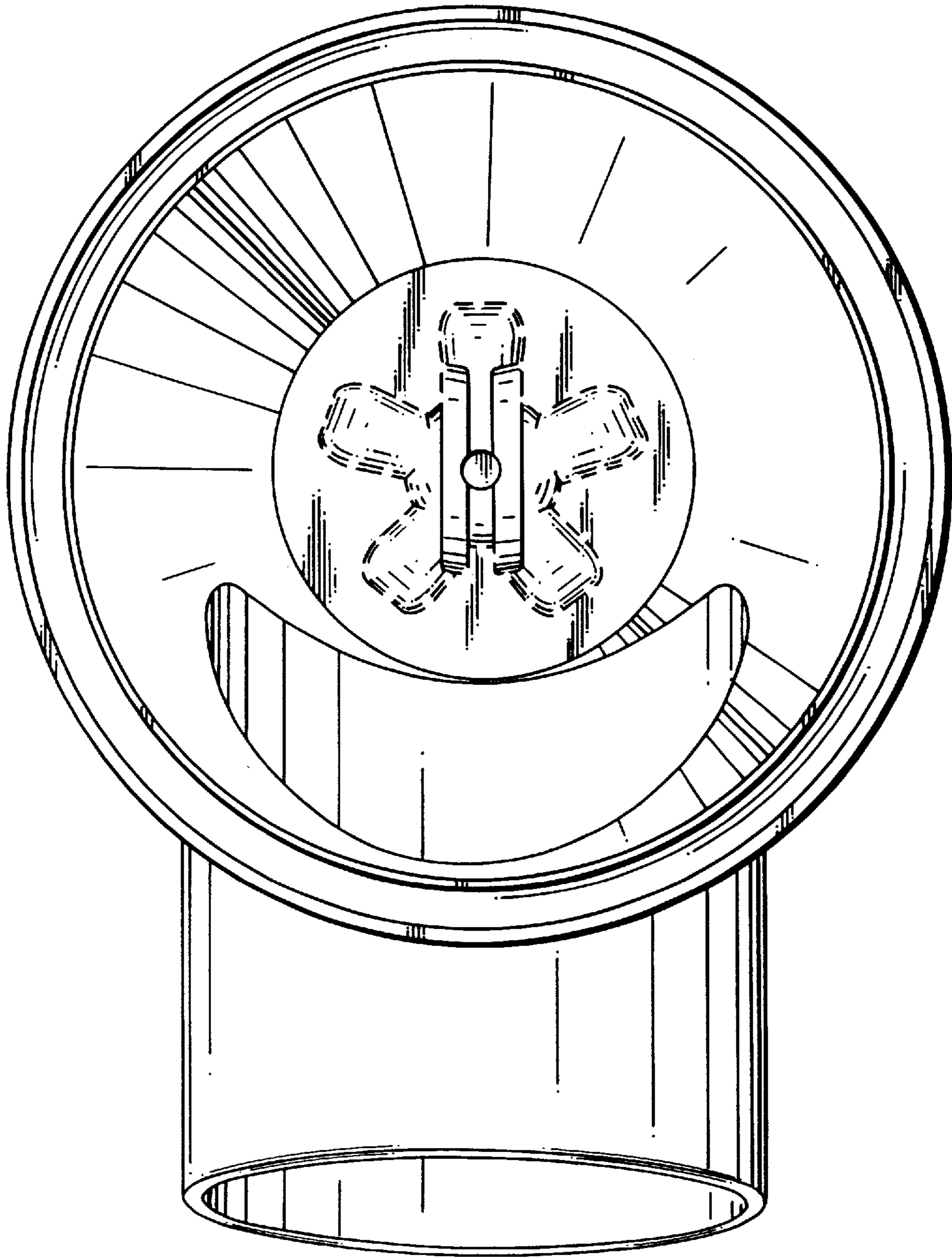


FIG. 1

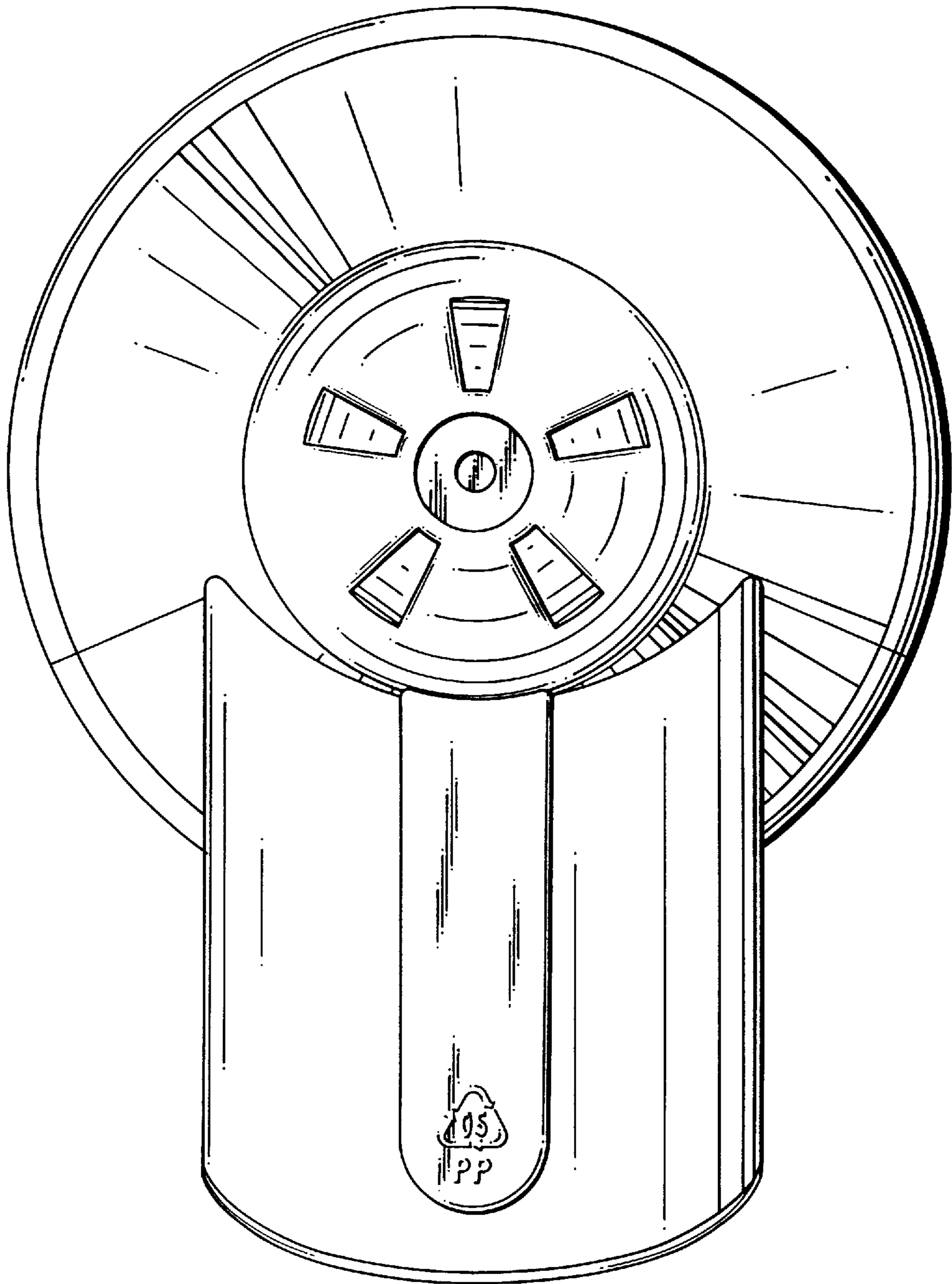


FIG. 2

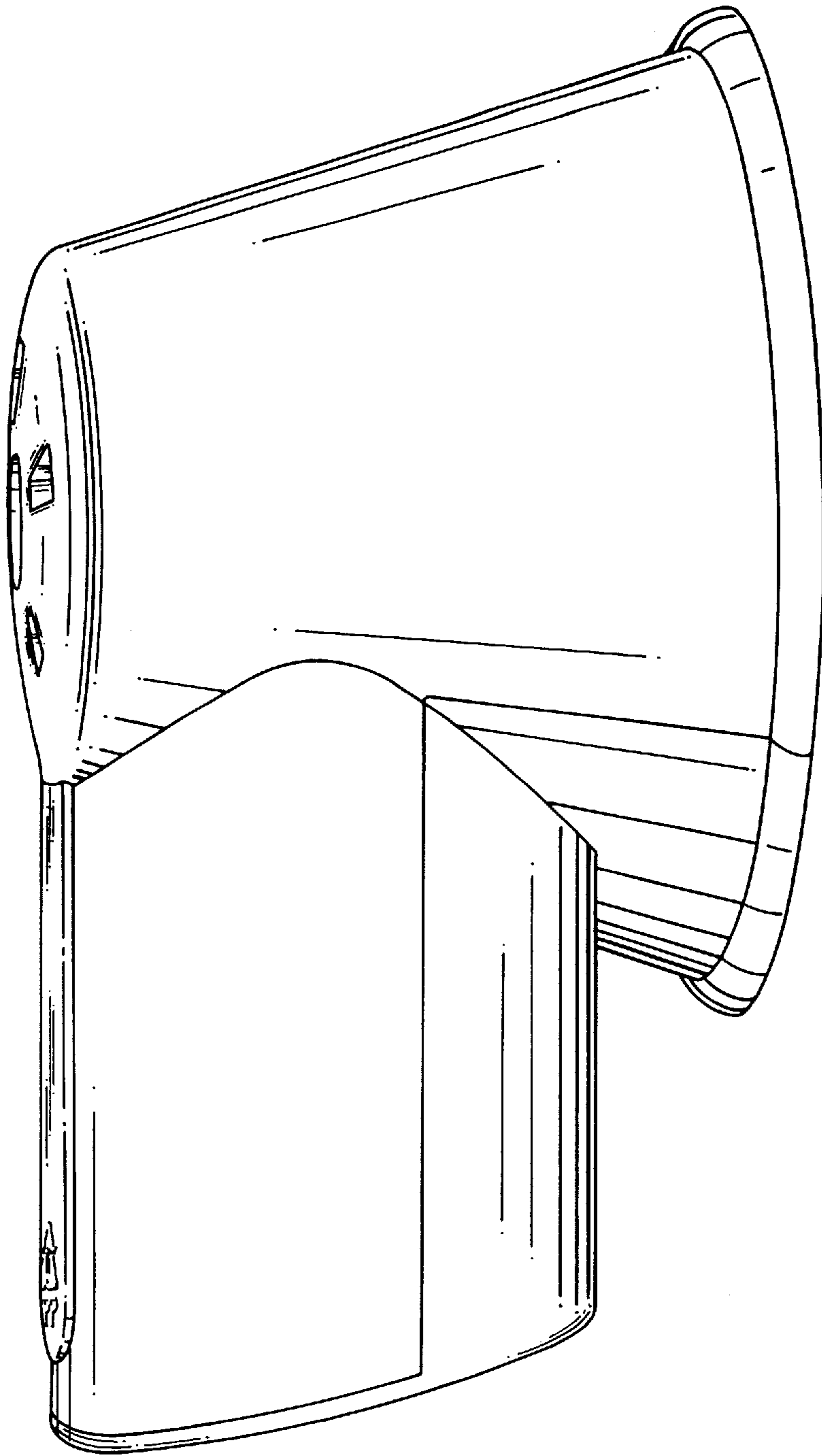


FIG. 3

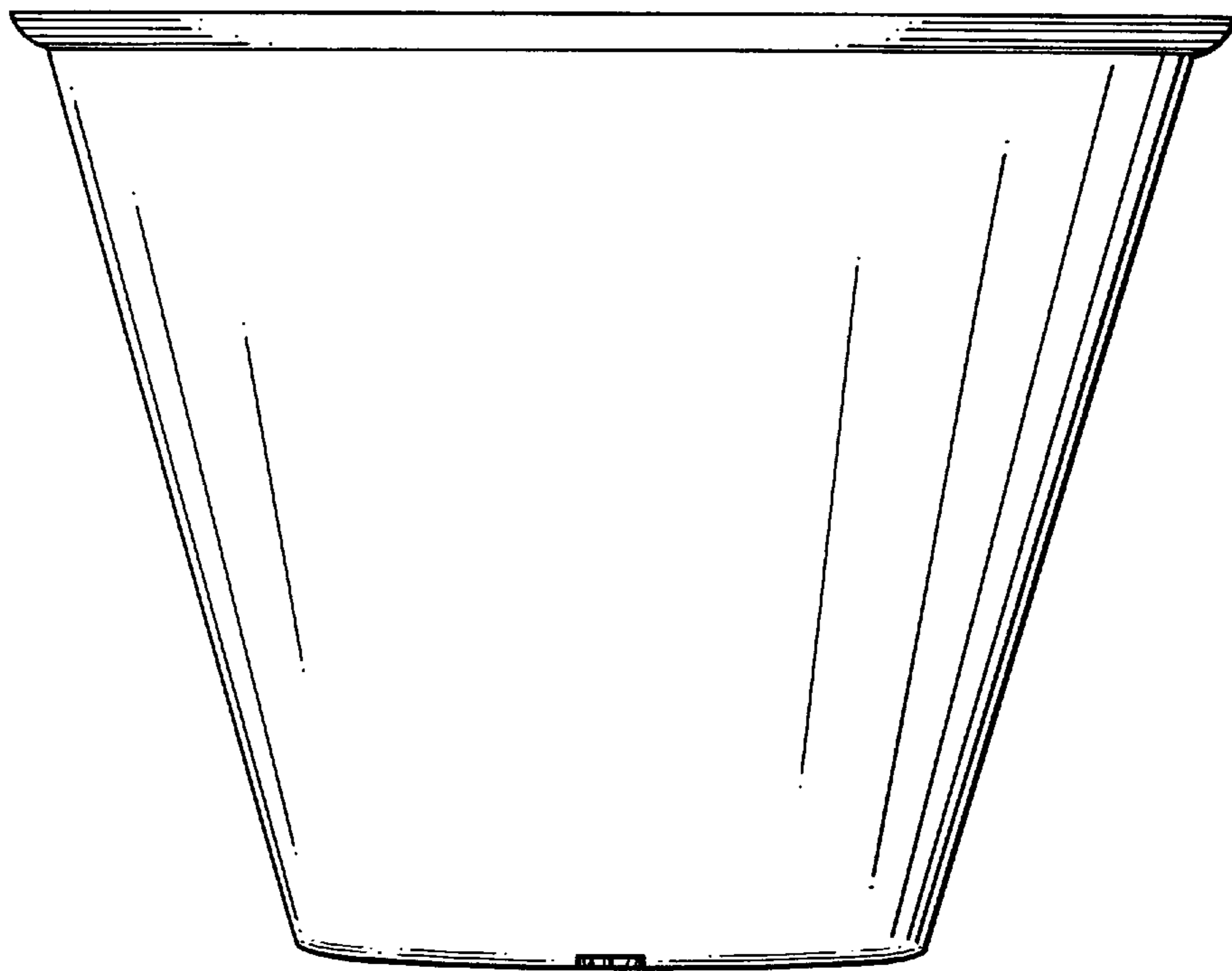


FIG. 4

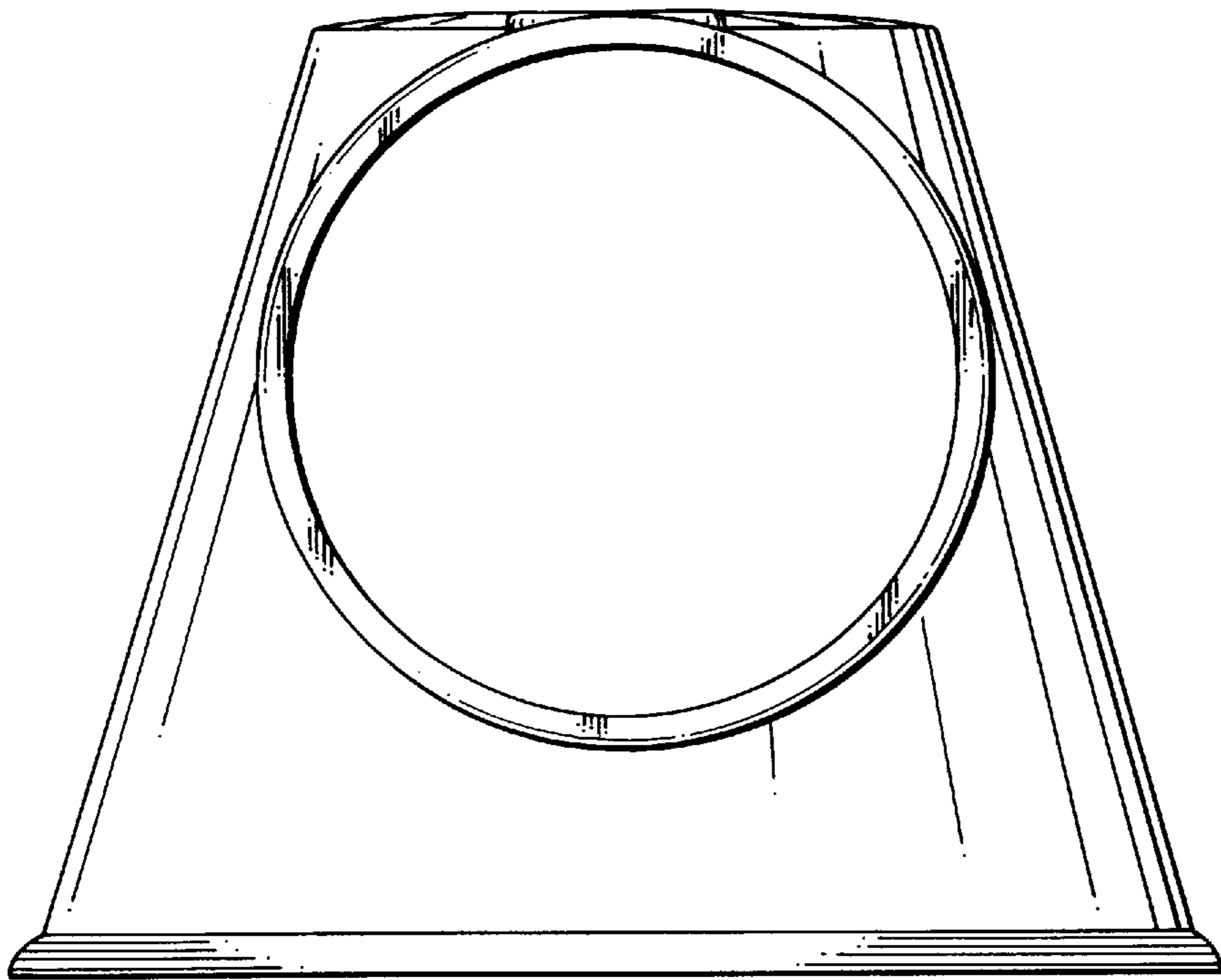


FIG. 5