



US00D406637S

# United States Patent [19]

Fabian et al.

[11] **Patent Number: Des. 406,637**

[45] **Date of Patent: \*\*Mar. 9, 1999**

[54] **FAUCET**

[75] Inventors: **Wolfgang Fabian**, Mannheim, Germany; **Paul Kolada**, Columbus, Ohio

[73] Assignee: **American Standard, Inc.**, Piscataway, N.J.

[\*\*] Term: **14 Years**

[21] Appl. No.: **20,953**

[22] Filed: **Apr. 5, 1994**

[51] **LOC (6) Cl. .... 23-01**

[52] **U.S. Cl. .... D23/243**

[58] **Field of Search .... D23/238-243, D23/255-258; 4/675-678; 137/801**

[56] **References Cited**

**U.S. PATENT DOCUMENTS**

D. 203,246	12/1965	Harvey et al. ....	D23/238
D. 219,779	1/1971	Tiller ....	D23/238
D. 227,465	6/1973	Genaro et al. ....	D23/238
D. 290,492	6/1987	Hill et al. ....	D23/238

**OTHER PUBLICATIONS**

Sears Catalog, Spring/Summer, 1980, p. 971.  
American Standard Inc. Brochure, 1991 p. 42, pp. 43-A, B, C; pp. 44-A, B, C, D; pp. 49-A, B, C, D.  
American Standard Inc. Brochure, 1988 pp. 17-A, pp. 19-C; pp. 23-E, F.

*Primary Examiner*—Louis S. Zarfes  
*Assistant Examiner*—Eric Watterson

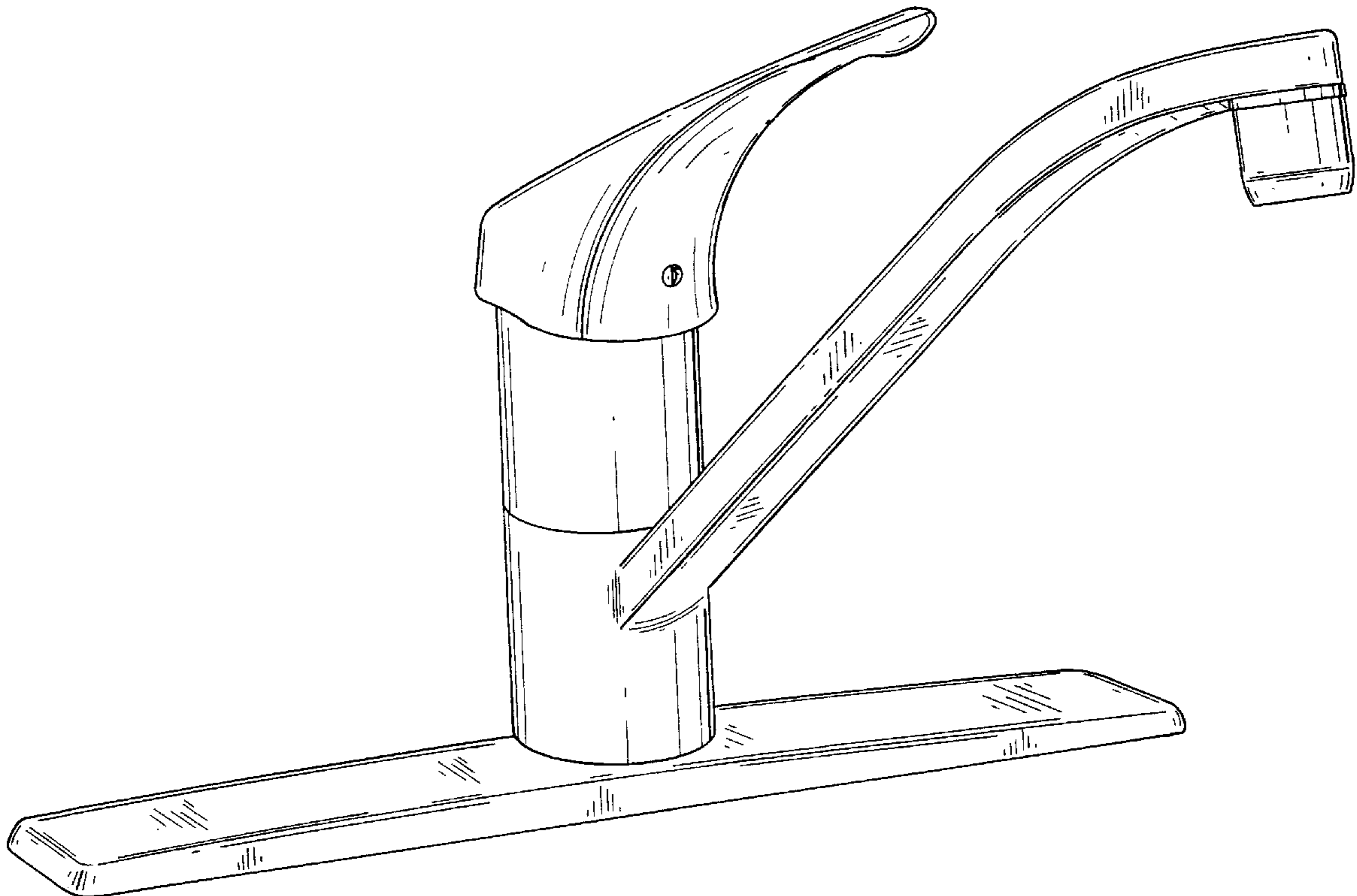
[57] **CLAIM**

The ornamental design for a faucet, as shown and described.

**DESCRIPTION**

FIG. 1 is a left perspective view of a faucet showing my new design;  
FIG. 2 is a top plan view thereof;  
FIG. 3 is a front elevational view thereof;  
FIG. 4 is a left side elevational view thereof, the right side view being a mirror image of the left side;  
FIG. 5 is a rear elevational view thereof; and,  
FIG. 6 is a bottom plan view thereof.

**1 Claim, 6 Drawing Sheets**



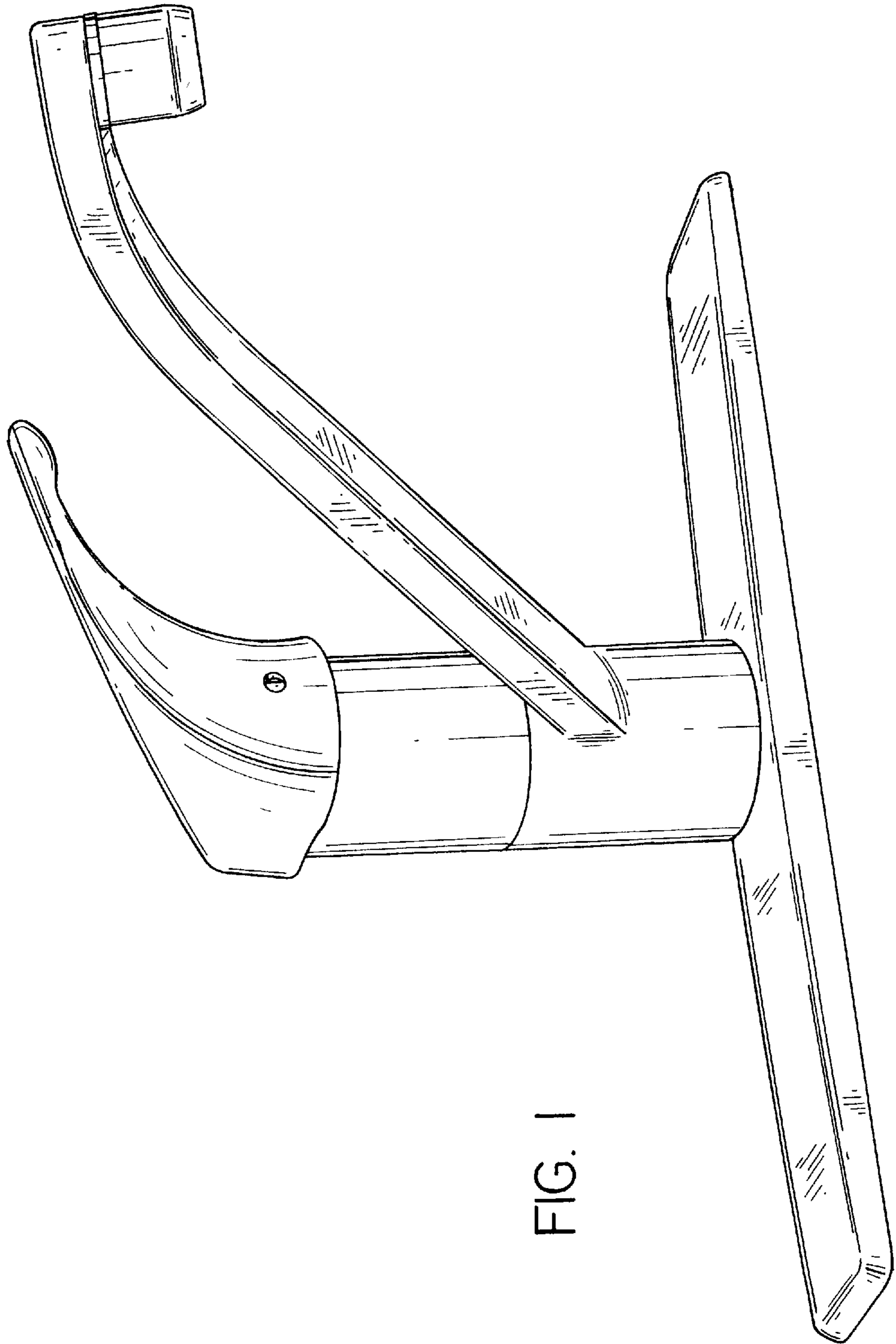


FIG. 1

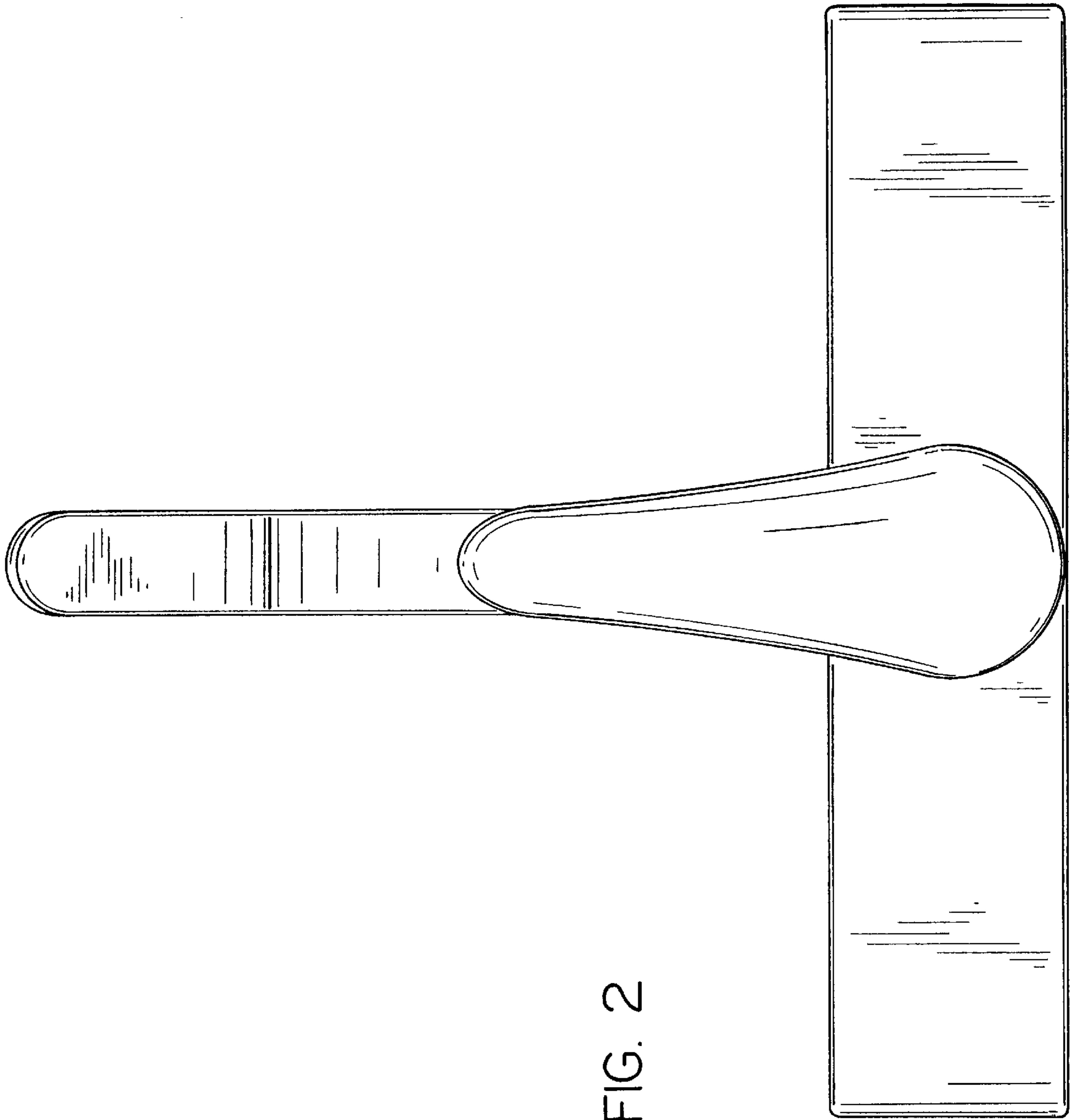
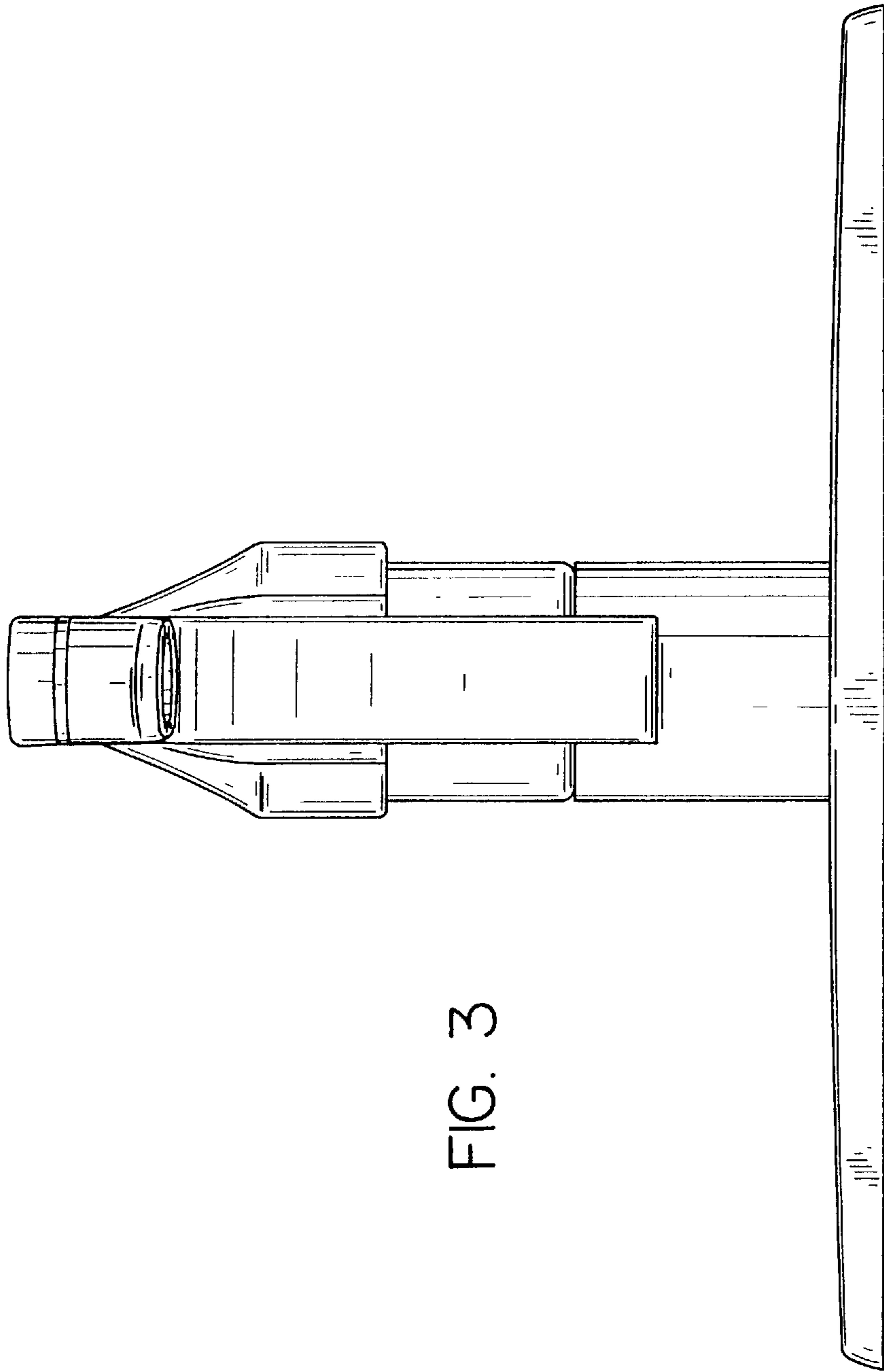


FIG. 2



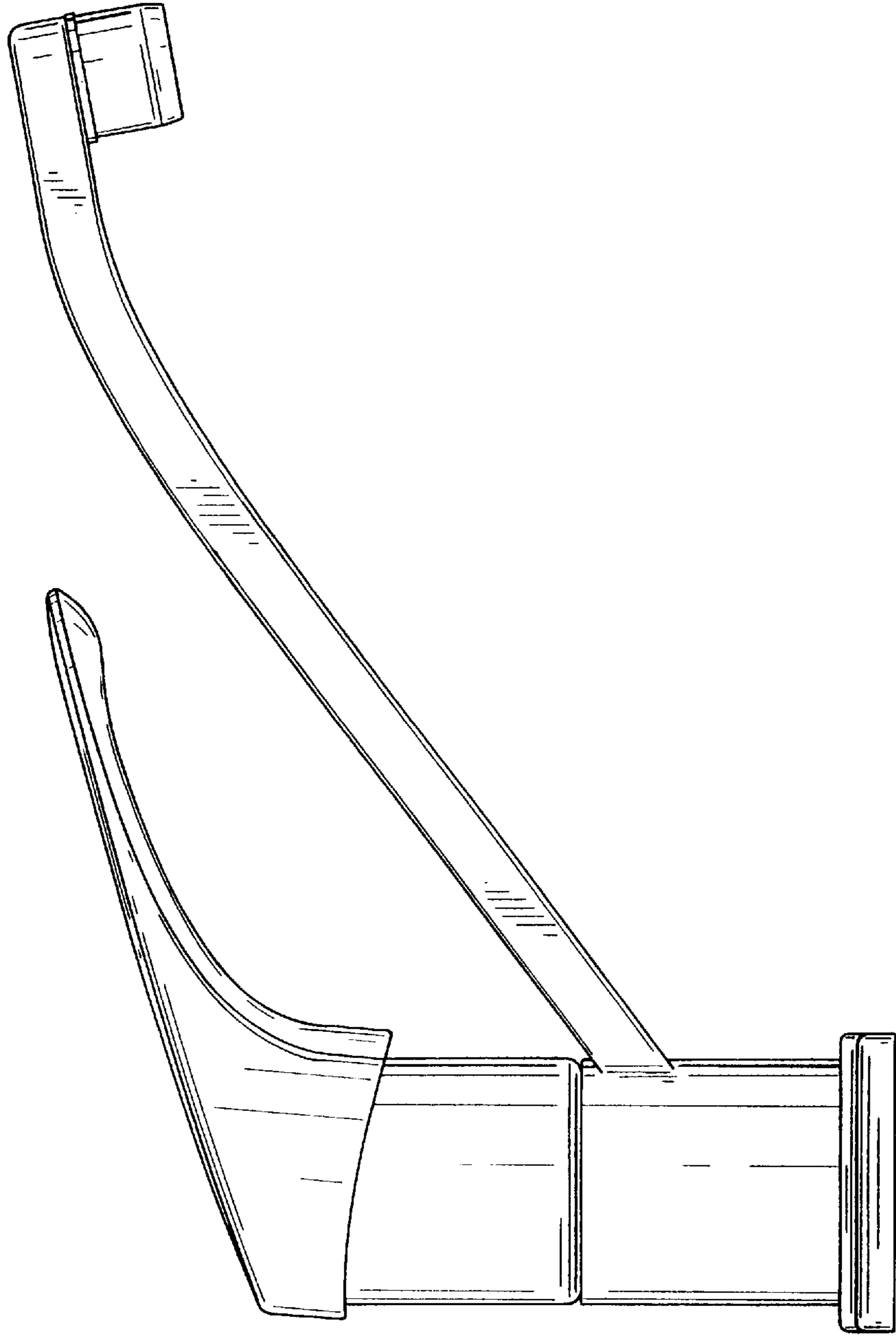


FIG. 4

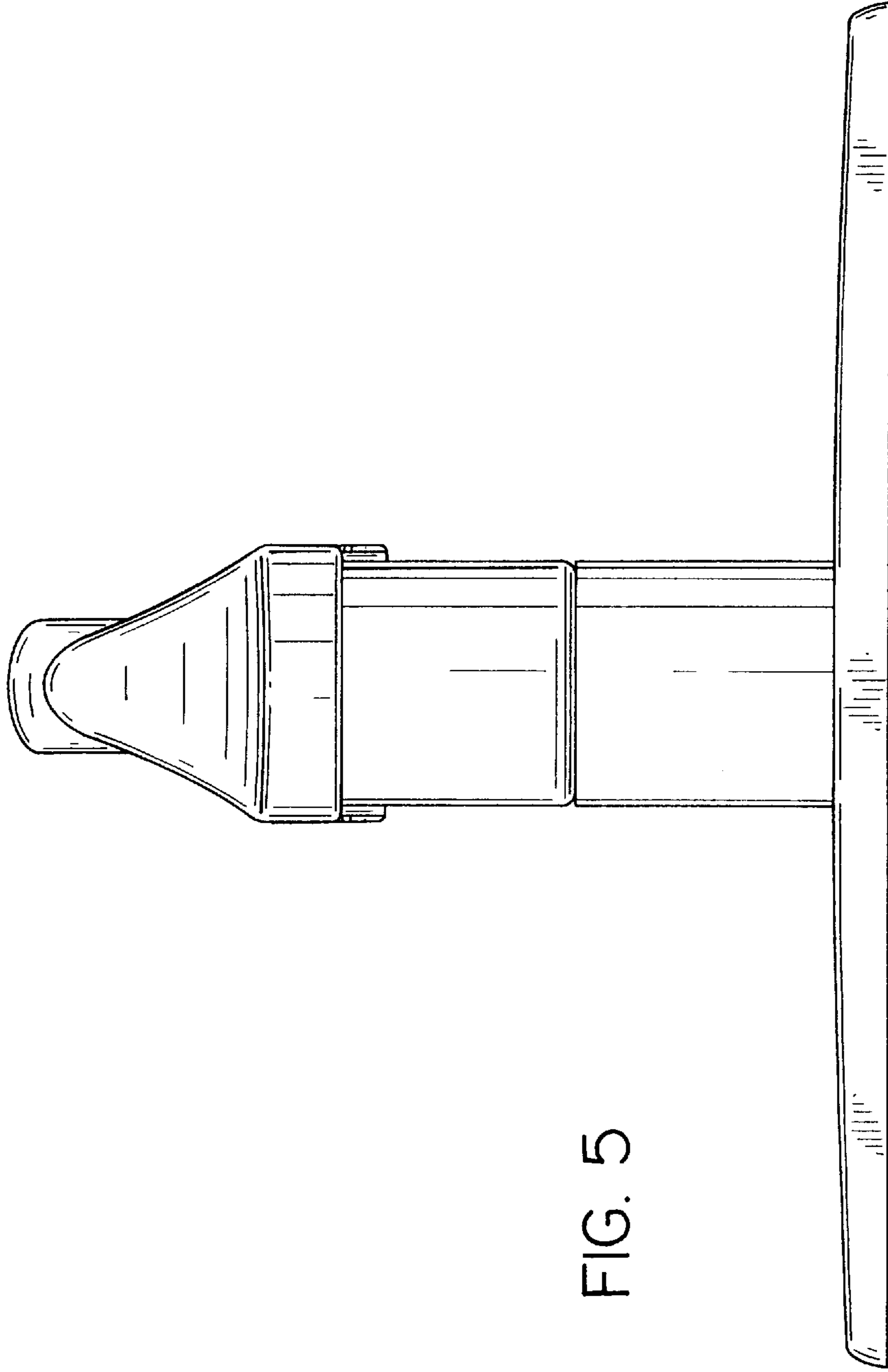


FIG. 5

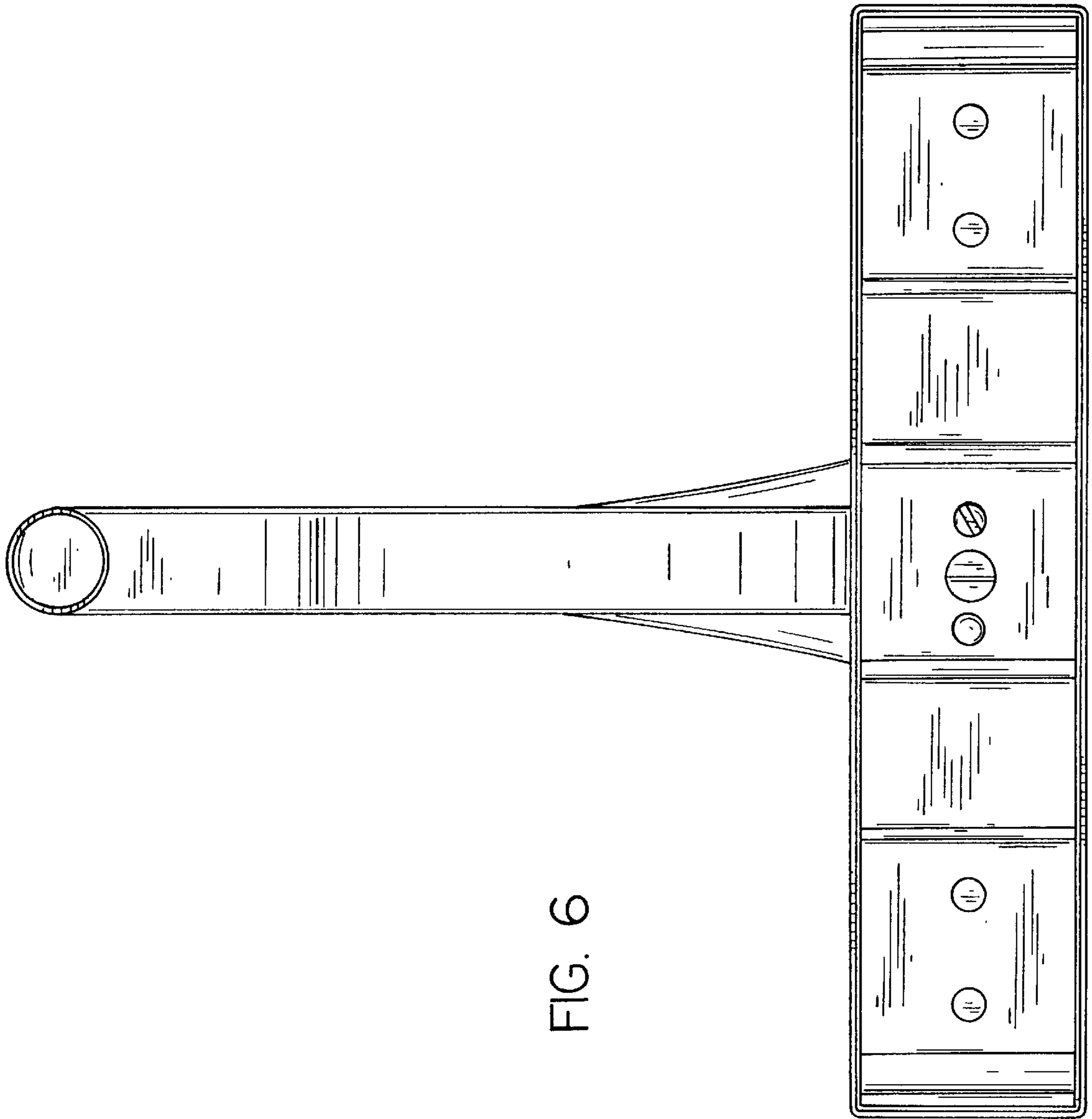


FIG. 6