



US00D406631S

United States Patent [19]
Emerson

[11] **Patent Number: Des. 406,631**
[45] **Date of Patent: **Mar. 9, 1999**

[54] **FRONT SIGHT FOR A FIREARM**

3,645,635 2/1972 Steck 42/100 X
3,991,500 11/1976 Kershner 42/100

[75] Inventor: **Ashley C. Emerson**, Weatherford, Tex.

[73] Assignee: **Ashley Outdoors, Inc**, Ft Worth, Tex.

[**] Term: **14 Years**

Primary Examiner—Louis S. Zarfaz
Assistant Examiner—Monica A. Weingart
Attorney, Agent, or Firm—Charles W. McHugh

[21] Appl. No.: **75,170**

[22] Filed: **Aug. 19, 1997**

[57] **CLAIM**

The ornamental design for a “front sight for a firearm,” as shown and described.

[51] **LOC (6) Cl.** **22-01**

[52] **U.S. Cl.** **D22/109; D22/100; D22/108**

[58] **Field of Search** D22/100, 108,
D22/109, 110, 199; 33/233, 245, 247, 252;
42/100, 101, 103

DESCRIPTION

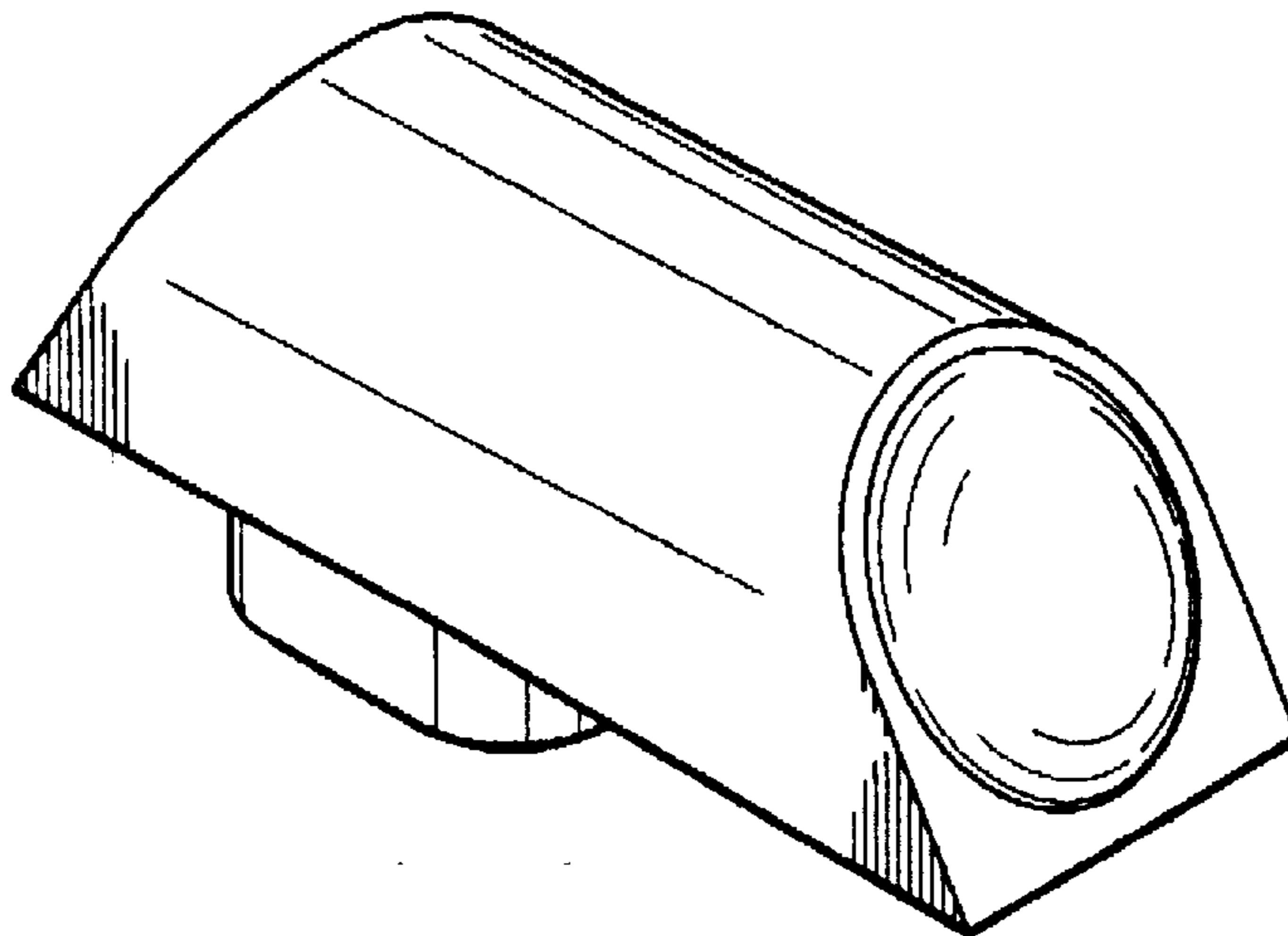
FIG. 1 is a perspective view of a “front sight for a firearm,” showing my new design from the rear;
FIG. 2 is an elevational view of the left side of the sight, and the opposite side view being a mirror image thereof;
FIG. 3 is a top plan view thereof;
FIG. 4 is a rear elevational view thereof;
FIG. 5 is a bottom plan view thereof;
FIG. 6 is a front elevational view thereof; and,
FIG. 7 is a fragmentary cross-sectional view taken in the plane represented by lines 7—7 in FIG. 3.

[56] **References Cited**

U.S. PATENT DOCUMENTS

D. 360,454	7/1995	DePaoli	D22/109
D. 387,844	12/1997	Emerson	D22/108 X
793,016	6/1905	Murray	42/100
2,306,972	12/1942	Meisel	33/247
3,641,676	2/1972	Knutsen et al.	42/100 X

1 Claim, 1 Drawing Sheet



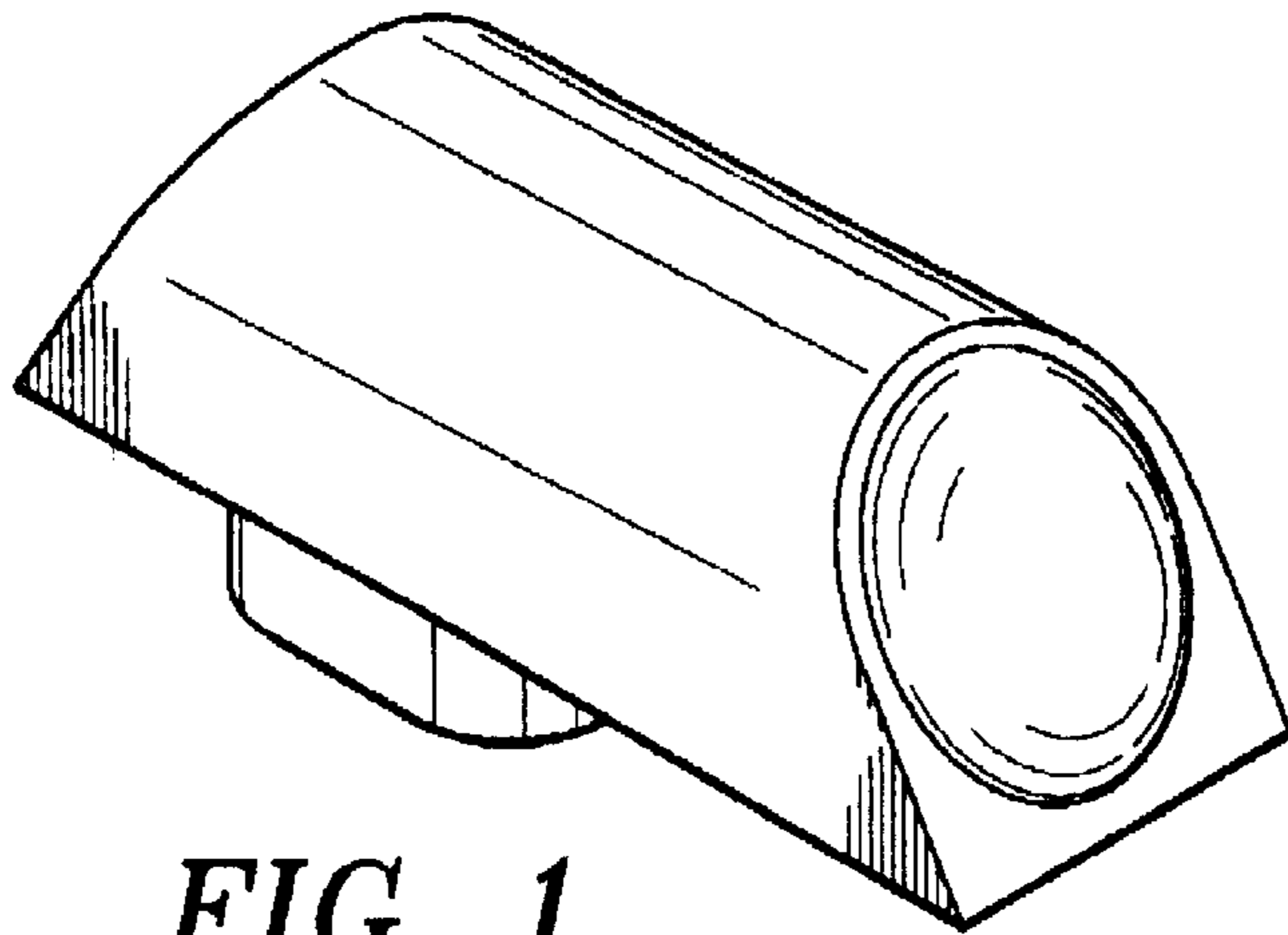


FIG. 1

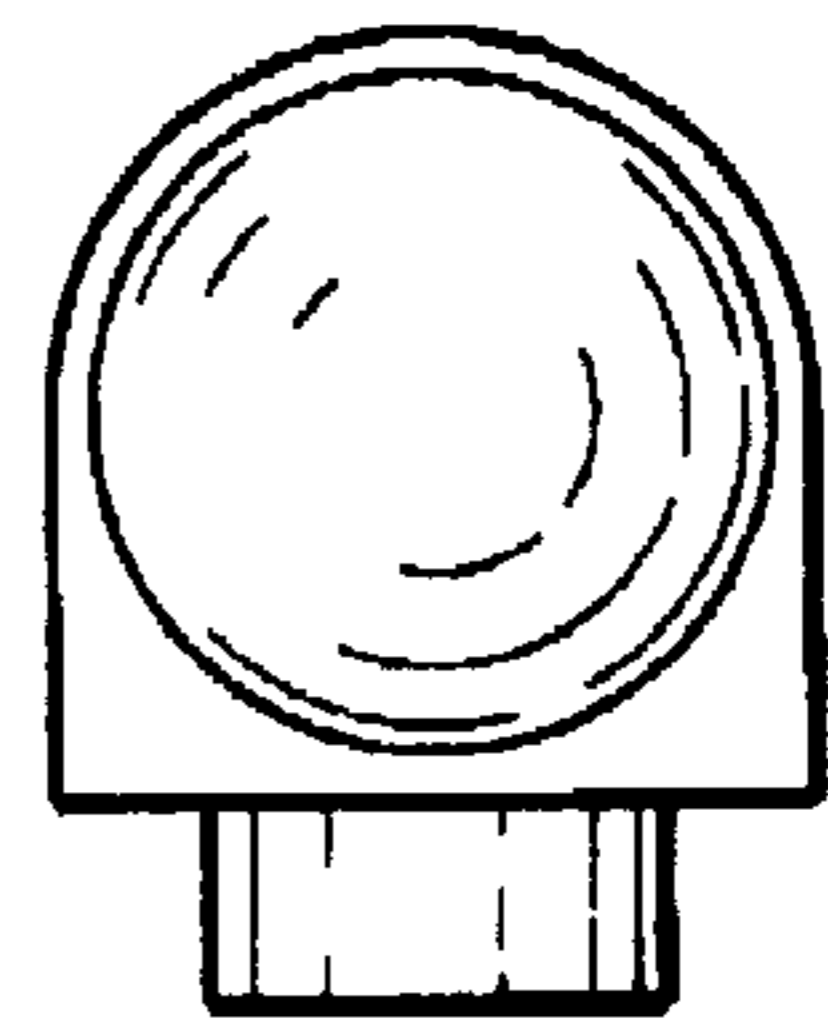


FIG. 4

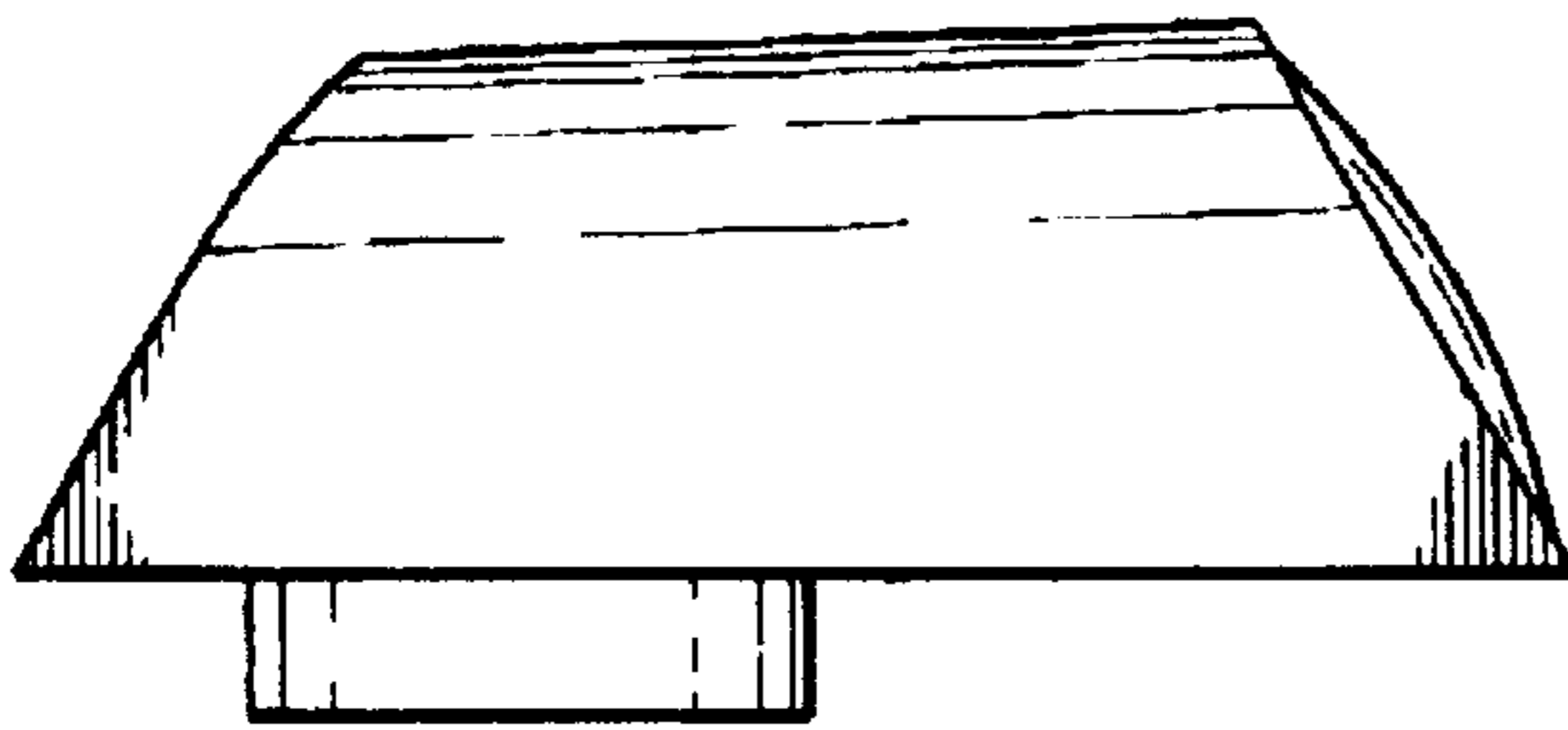


FIG. 2

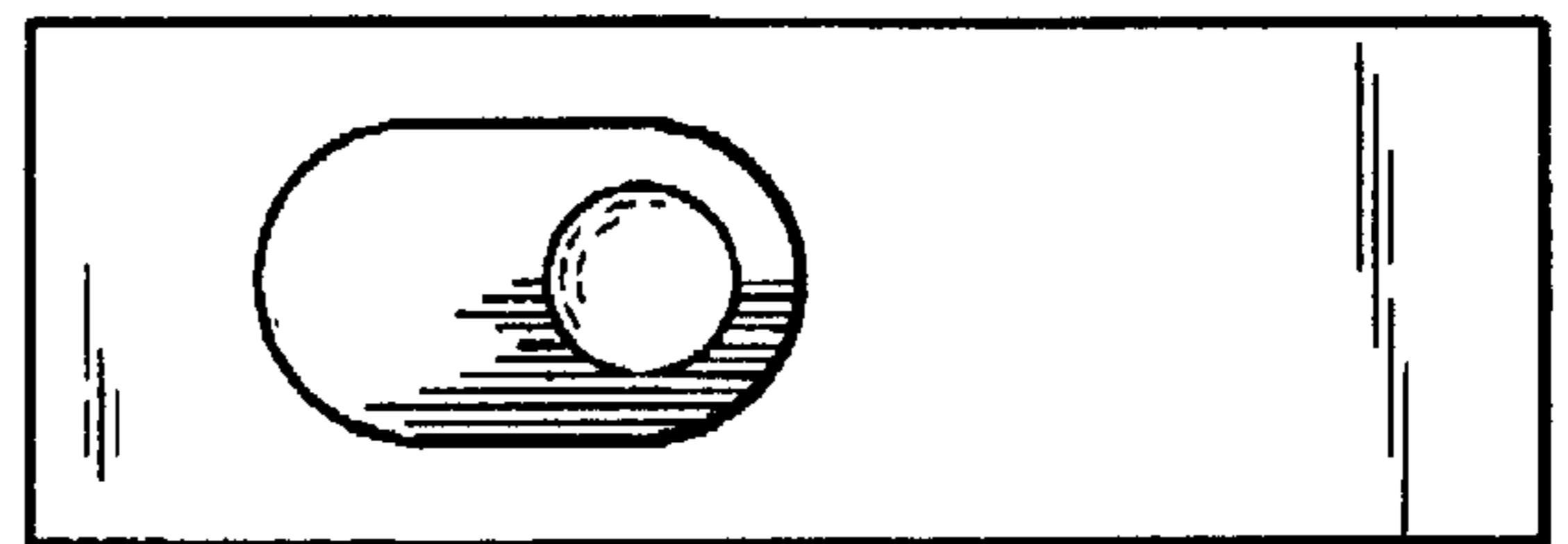


FIG. 5

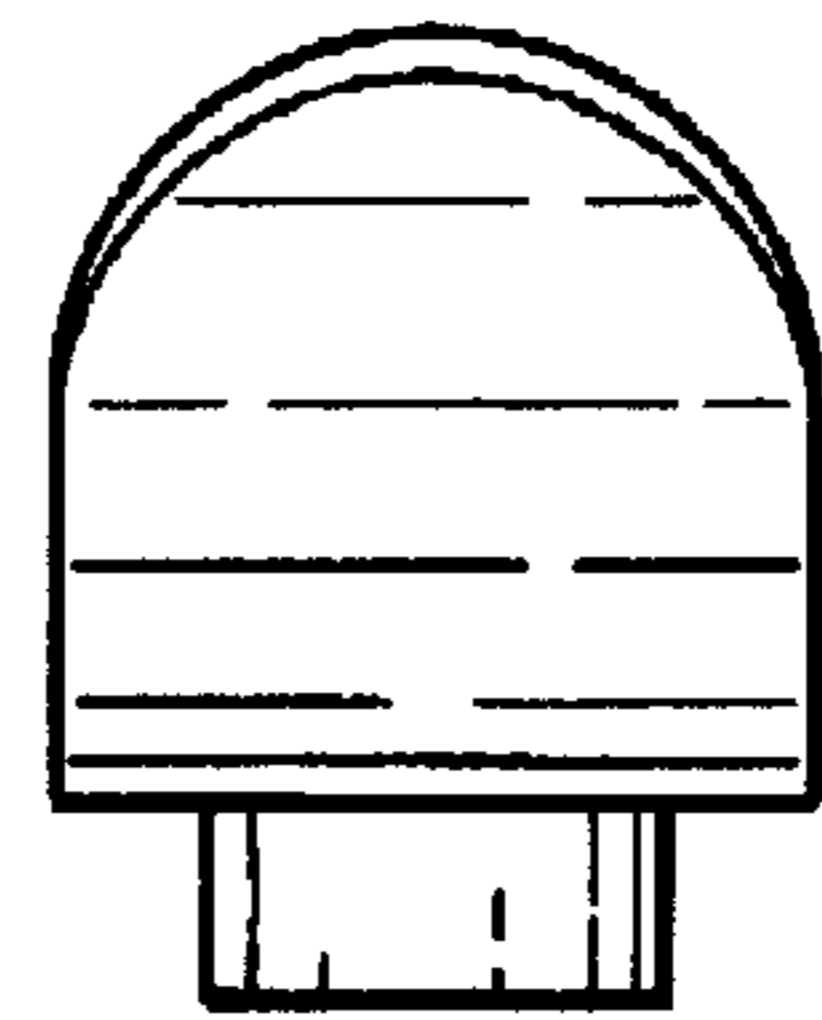


FIG. 6

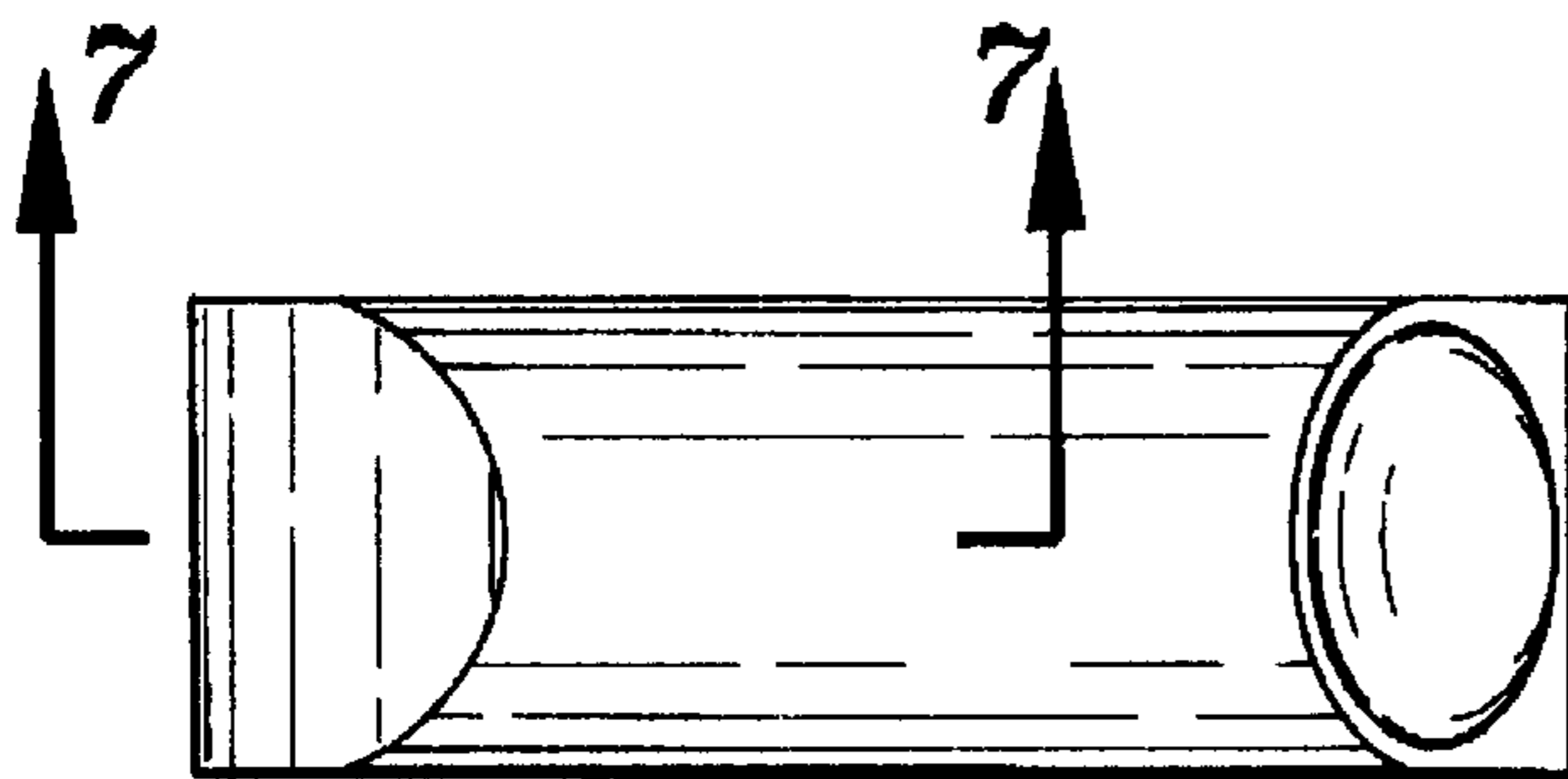


FIG. 3

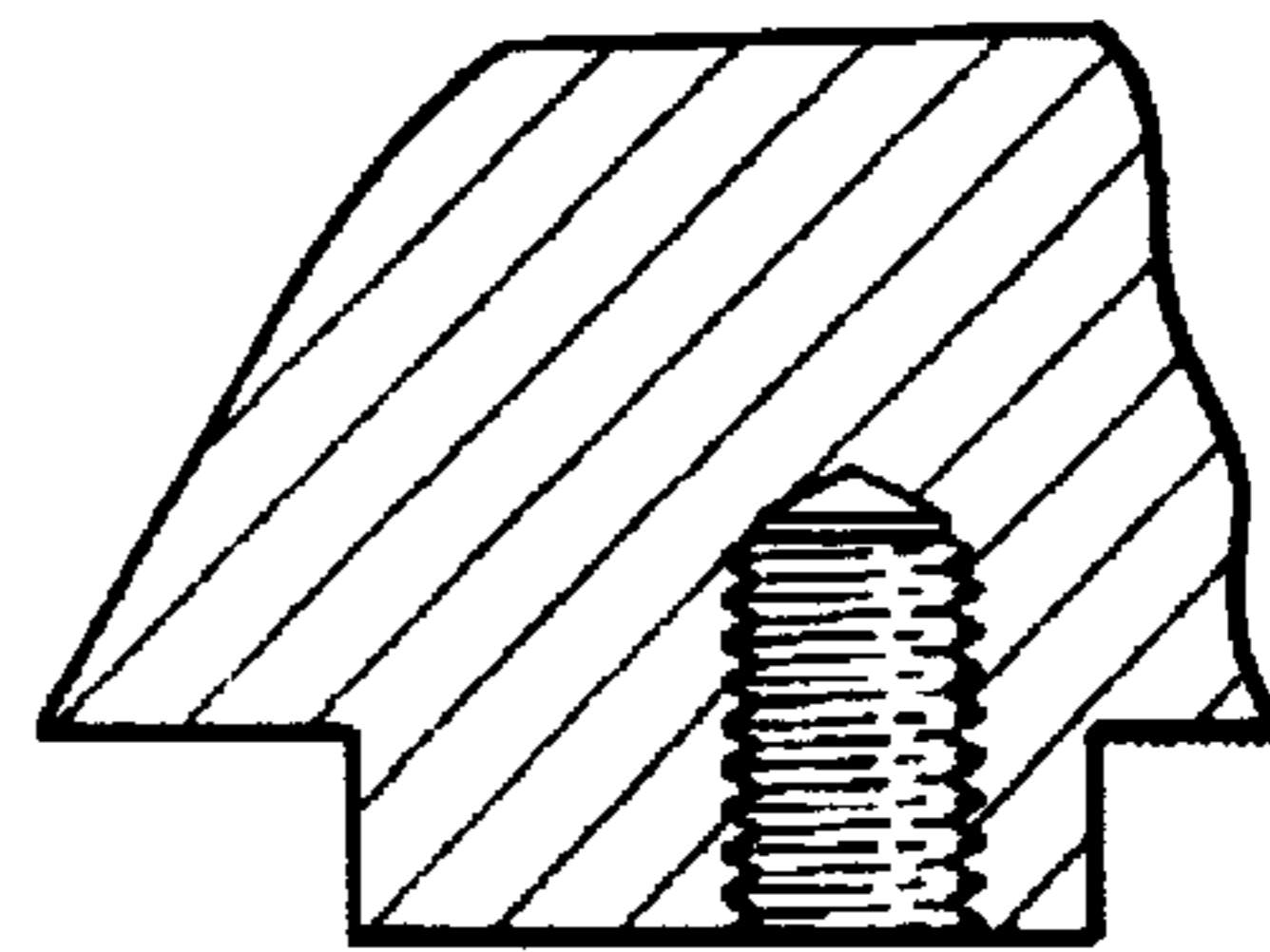


FIG. 7