



US00D406630S

**United States Patent** [19]  
**Emerson**

[11] **Patent Number: Des. 406,630**

[45] **Date of Patent: \*\*\*Mar. 9, 1999**

[54] **FRONT SIGHT FOR A FIREARM**

[75] Inventor: **Ashley C. Emerson**, Weatherford, Tex.

[73] Assignee: **Ashley Outdoors, Inc.**, Ft Worth, Tex.

[\*] Notice: The term of this patent shall not extend beyond the expiration date of Pat. No. Des. 387,844.

[\*\*] Term: **14 Years**

[21] Appl. No.: **74,646**

[22] Filed: **Aug. 19, 1997**

[51] **LOC (6) Cl.** ..... **22-01**

[52] **U.S. Cl.** ..... **D22/109; D22/100; D22/108**

[58] **Field of Search** ..... **D22/100, 108, D22/109, 110, 199; 33/233, 245, 247, 252; 42/100, 101, 103**

[56] **References Cited**

**U.S. PATENT DOCUMENTS**

D. 360,484 7/1995 De Paoli ..... D22/109

D. 387,844 12/1997 Emerson ..... D22/108 X  
651,514 6/1900 Sheard ..... 33/233  
798,016 6/1905 Murray ..... 42/100  
2,306,972 12/1942 Meisel ..... 33/247  
3,911,607 10/1975 Luebke ..... 42/100

*Primary Examiner*—Louis S. Zarfaz  
*Assistant Examiner*—Monica A. Weingart  
*Attorney, Agent, or Firm*—Charles W. McHugh

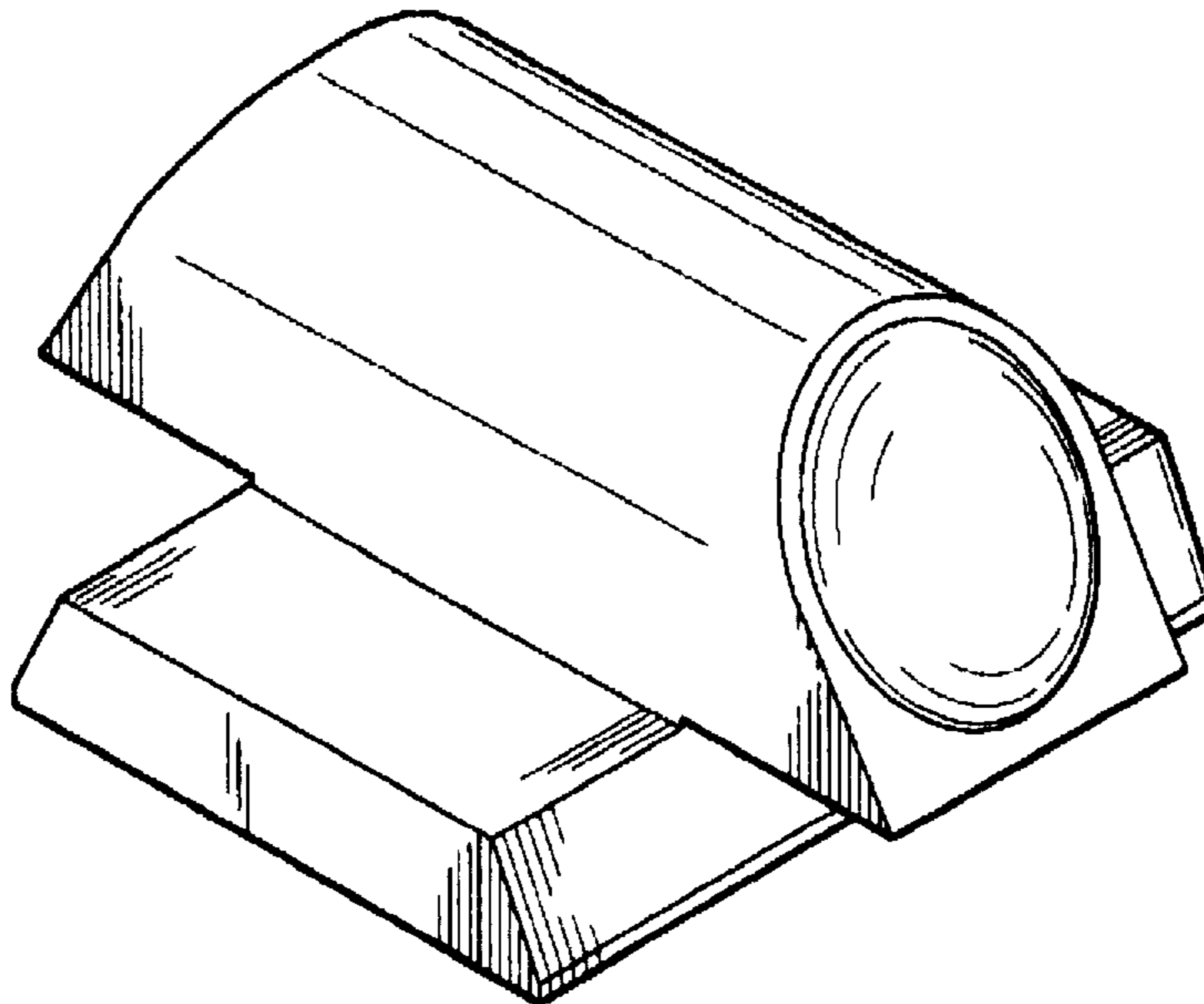
[57] **CLAIM**

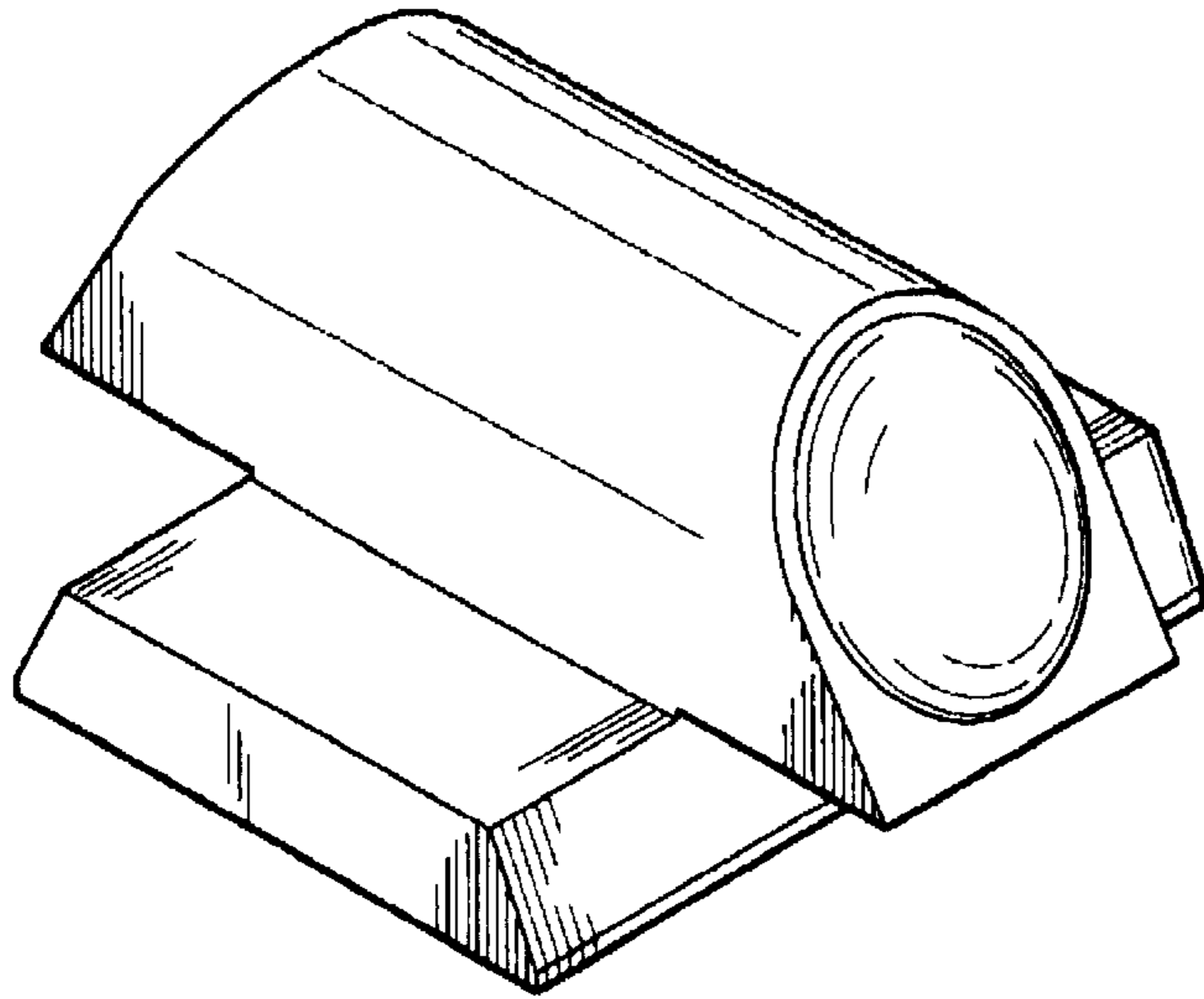
The ornamental design for a “front sight for a firearm,” as shown and described.

**DESCRIPTION**

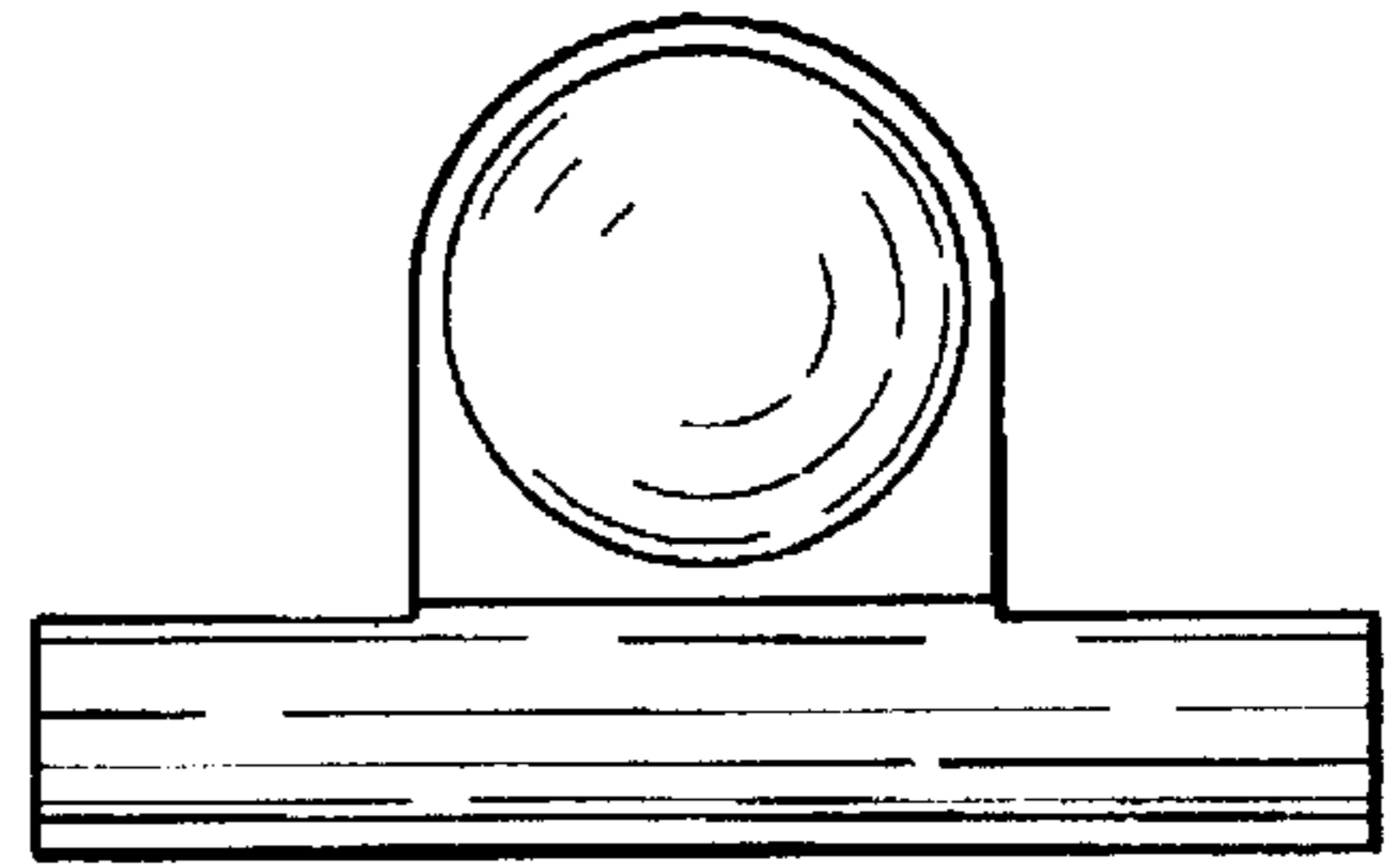
FIG. 1 is a perspective view of a “front sight for a firearm,” showing my new design from the rear;  
FIG. 2 is an elevational view of the left side of the sight, and the opposite side view being a mirror image thereof;  
FIG. 3 is a top plan view thereof;  
FIG. 4 is a rear elevational view thereof;  
FIG. 5 is a bottom plan view thereof; and,  
FIG. 6 is a front elevational view thereof.

**1 Claim, 1 Drawing Sheet**

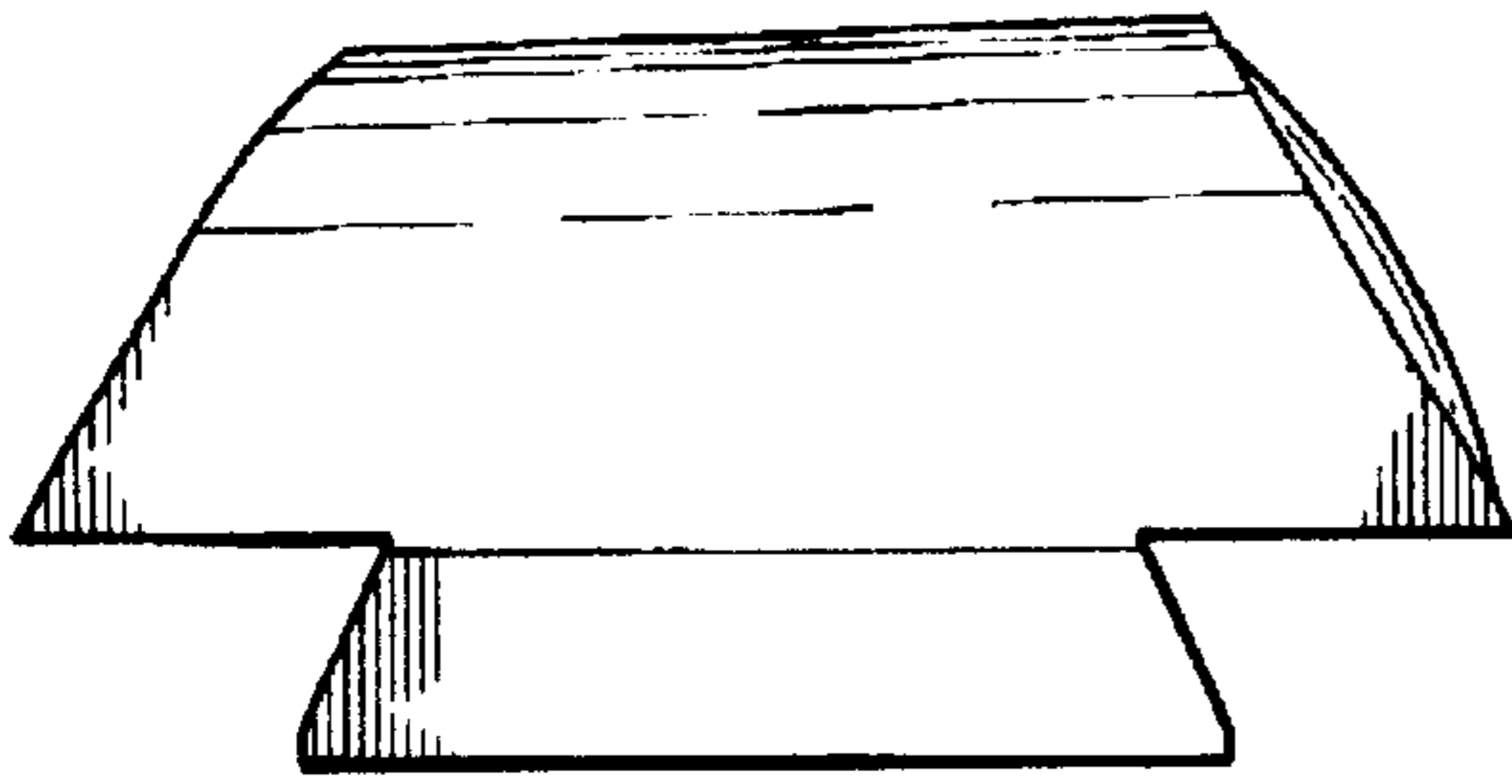




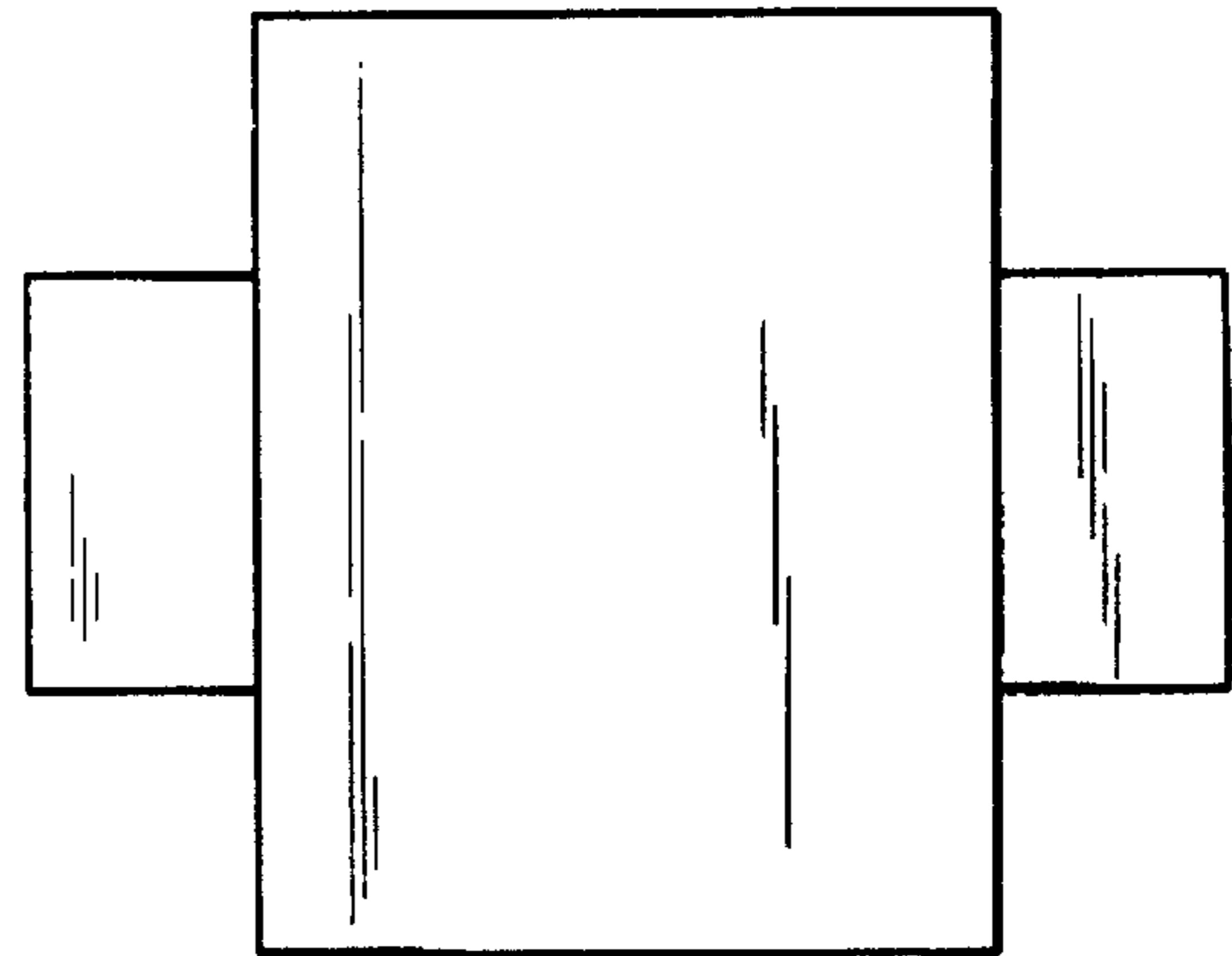
*FIG. 1*



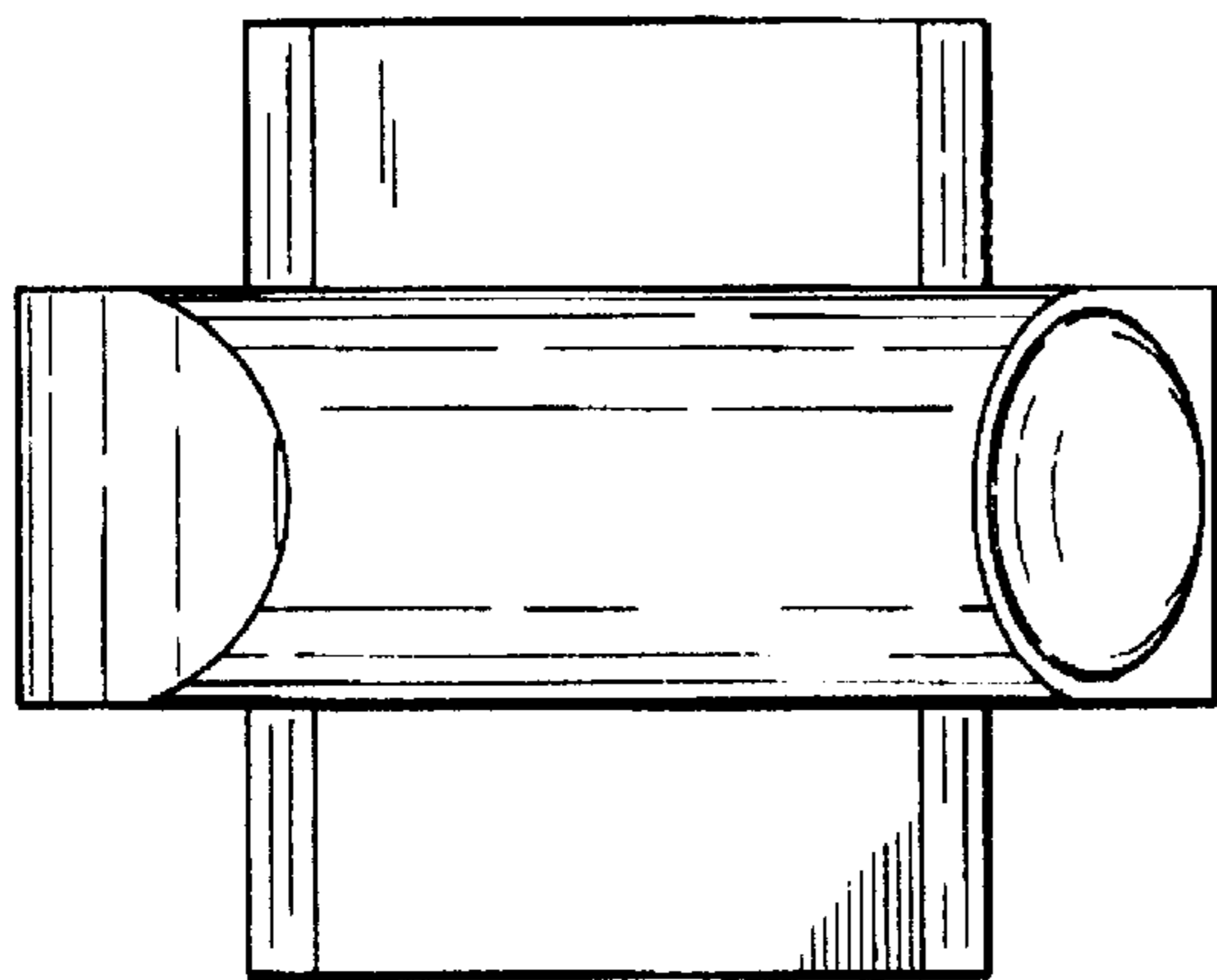
*FIG. 4*



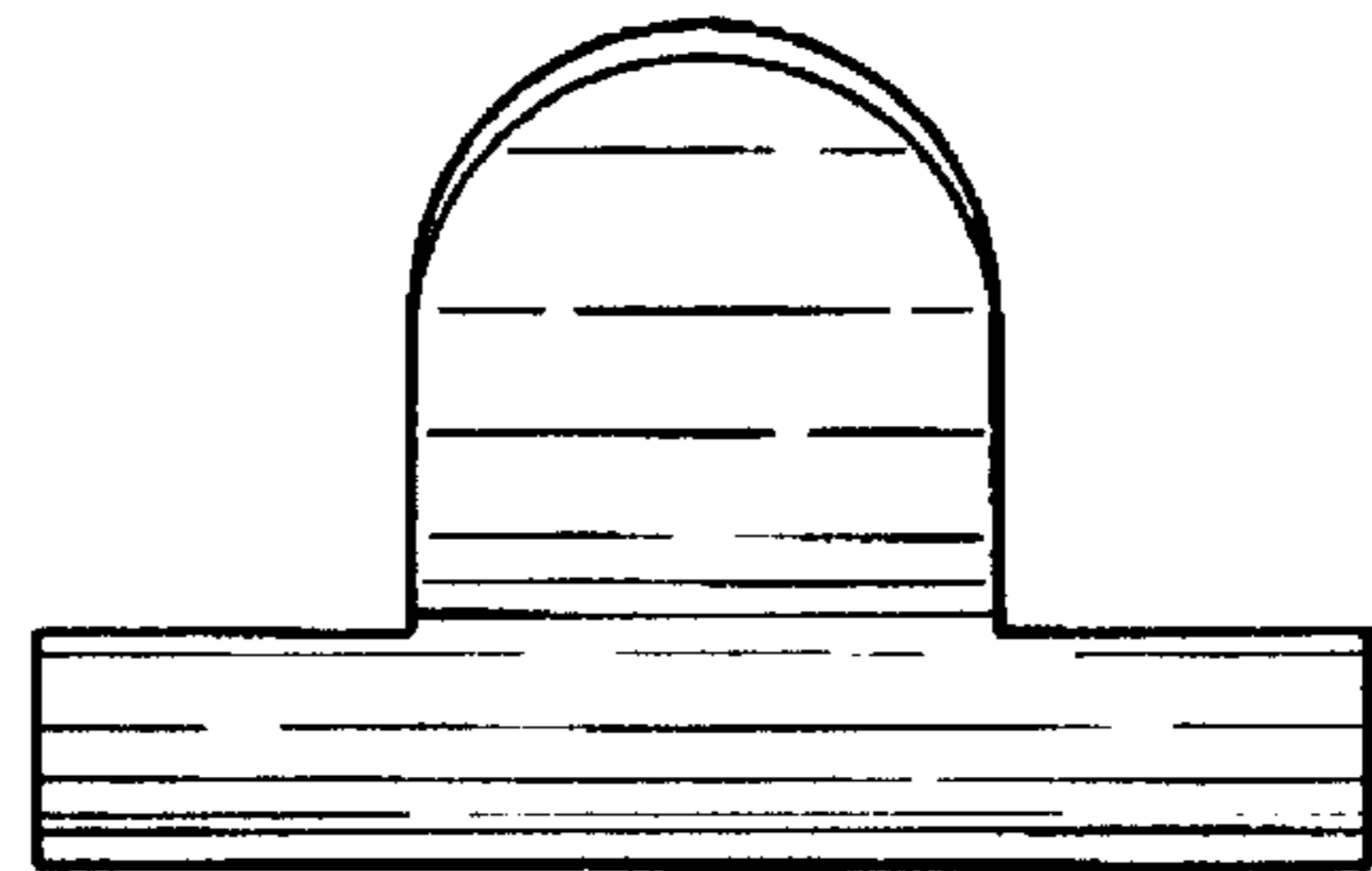
*FIG. 2*



*FIG. 5*



*FIG. 3*



*FIG. 6*