



US00D406629S

# United States Patent [19] Banfill

[11] Patent Number: **Des. 406,629**

[45] Date of Patent: **\*\*Mar. 9, 1999**

[54] **PISTOL SIGHTING STAND**

[76] Inventor: **Steven Banfill**, 7429 Lindsey Rd.,  
Plainwell, Mich. 49080

[\*\*] Term: **14 Years**

[21] Appl. No.: **82,137**

[22] Filed: **Jan. 15, 1998**

[51] **LOC (6) Cl.** ..... **22-01**

[52] **U.S. Cl.** ..... **D22/108; D22/100**

[58] **Field of Search** ..... **D22/100, 108;**  
**D6/352; 42/94; 89/37.04; 211/64**

[56] **References Cited**

**U.S. PATENT DOCUMENTS**

D. 203,680	2/1966	Allison	.....	D22/108
D. 346,003	4/1994	Anderson	.....	D22/108
D. 359,337	6/1995	Banfill	.....	D22/108
D. 375,538	11/1996	Minneman	.....	D22/108
2,774,563	12/1956	Pribis	.....	248/127
2,877,689	3/1959	Pribis	.....	89/37
3,343,411	9/1967	Lee	.....	89/37.04
3,473,673	10/1969	Porter	.....	211/64
3,964,613	6/1976	Anderson, Jr.	.....	211/64
4,409,751	10/1983	Goda et al.	.....	42/94
4,449,314	5/1984	Sorensen	.....	42/94
4,548,392	10/1985	Rickling	.....	269/156
4,558,532	12/1985	Wright	.....	42/94
4,565,403	1/1986	Brown	.....	297/3
4,621,563	11/1986	Poiencot	.....	89/37.04
4,702,029	10/1987	DeVaul et al.	.....	42/94
4,799,324	1/1989	Nodo	.....	42/94
4,841,839	6/1989	Stuart	.....	89/37.04
4,873,777	10/1989	Southard	.....	42/94
4,971,208	11/1990	Reinfried, Jr. et al.	.....	211/64

4,998,944	3/1991	Lund	.....	42/94
5,058,302	10/1991	Minneman	.....	42/94
5,070,636	12/1991	Mueller	.....	42/94
5,661,919	9/1997	Pryor	.....	89/37.04

**OTHER PUBLICATIONS**

RedHead "Hunting Specialists Catalog," 1997, cover and p. 250.

The Sportsman's Guide, Summer Catalog, 1997, cover and p. 58.

Bass Pro Shops "Hunting Catalog," 1992, cover and p. 155.  
Cabela's "1992 Annual Fall Catalog," cover and pp. 200 and 201.

Gander Mountain "1992 Fall/Winter Catalog," covers (front and back) and pp. 144 and 155.

"Michigan Out-Of-Doors," Oct. 1992, cover and p. 1.

*Primary Examiner*—Louis S. Zarfes

*Assistant Examiner*—Monica A. Weingart

*Attorney, Agent, or Firm*—Price, Heneveld, Cooper, DeWitt & Litton

[57] **CLAIM**

I claim the ornamental design for pistol sighting stand, as shown and described.

**DESCRIPTION**

FIG. 1 is a perspective view of a pistol sighting stand showing my new design;

FIG. 2 is a front elevational view thereof;

FIG. 3 is a right side elevational view thereof;

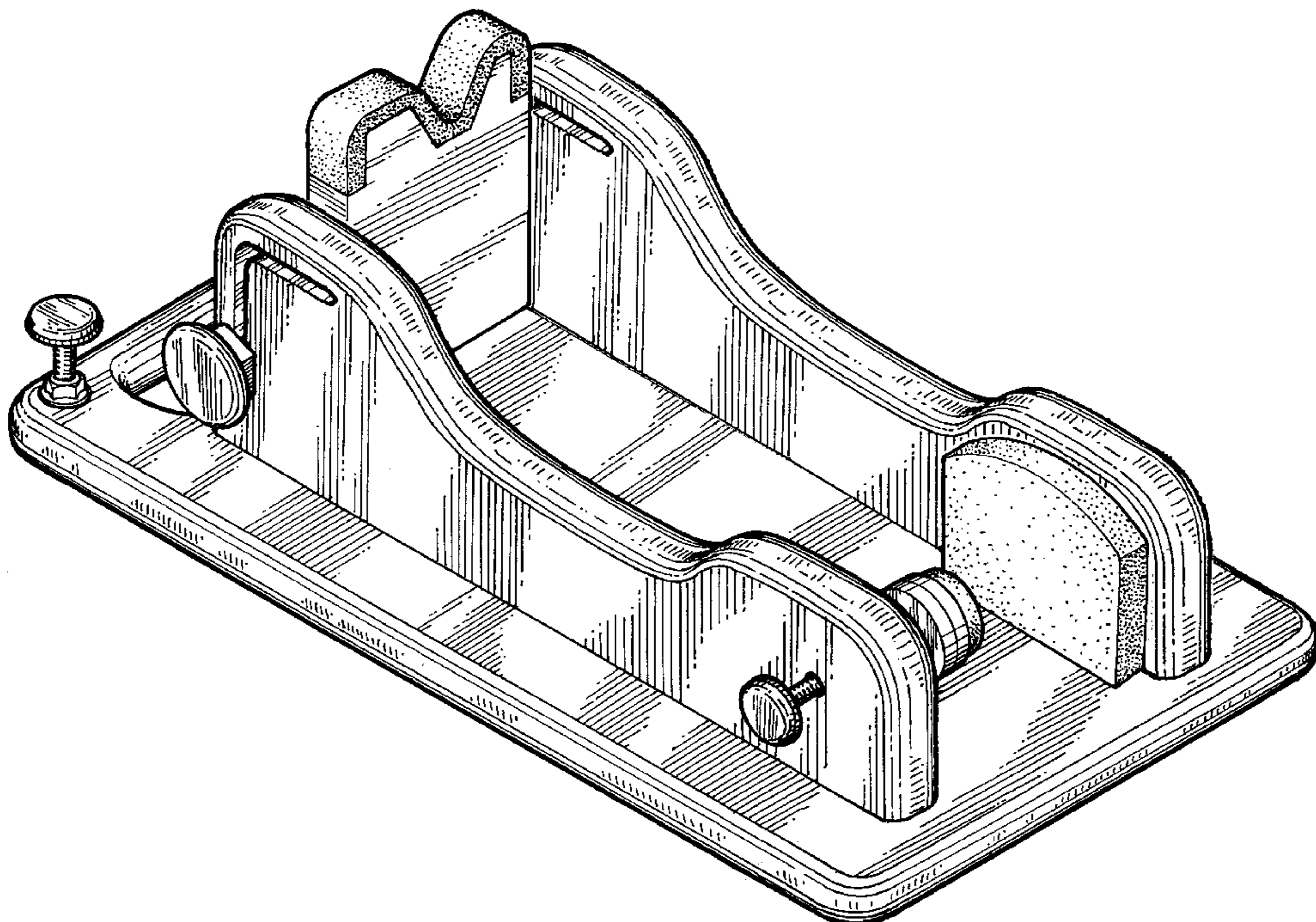
FIG. 4 is a rear elevational view thereof;

FIG. 5 is a top plan view thereof;

FIG. 6 is a left side elevational view thereof; and,

FIG. 7 is a bottom plan view thereof.

**1 Claim, 4 Drawing Sheets**



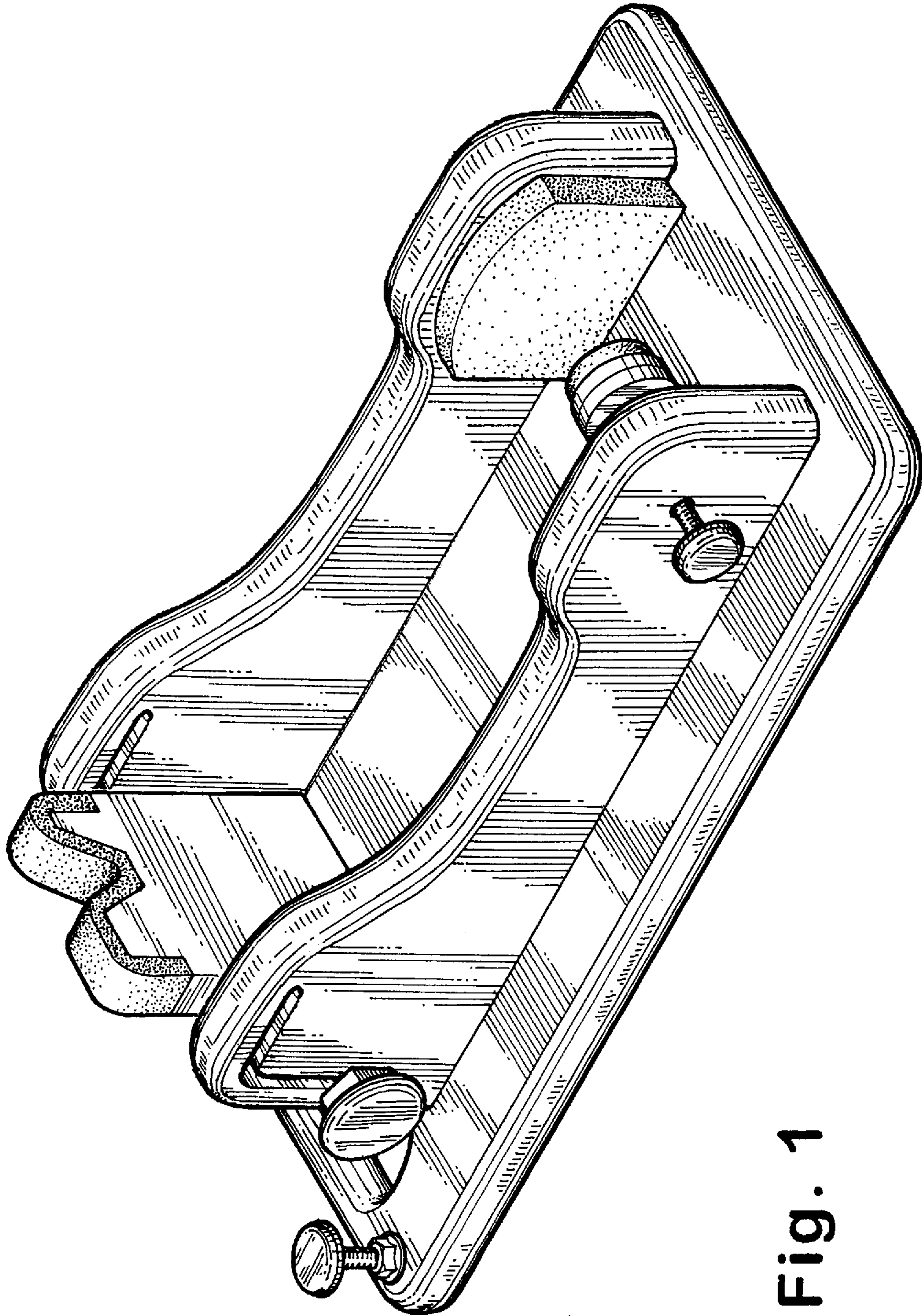


Fig. 1



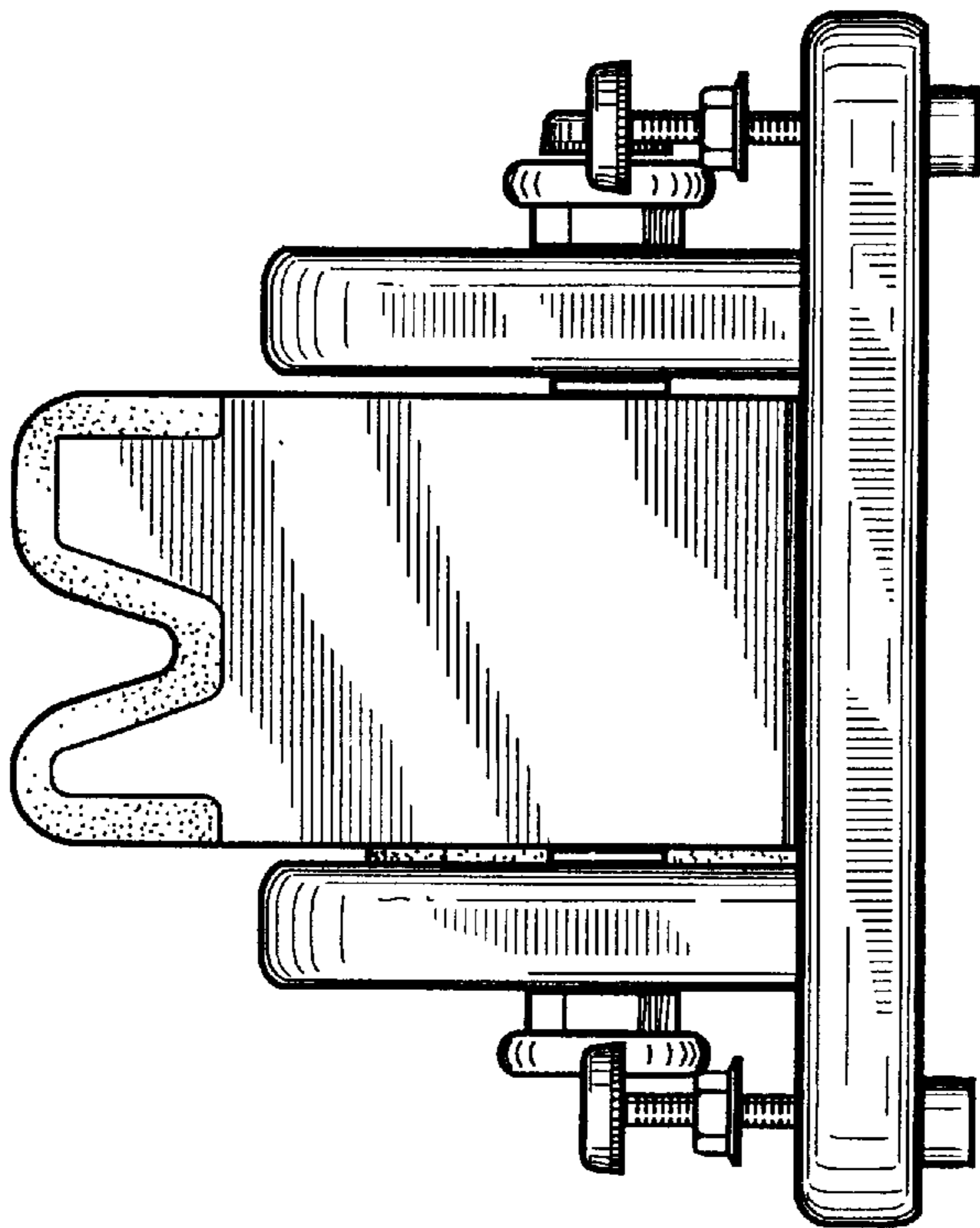


Fig. 2

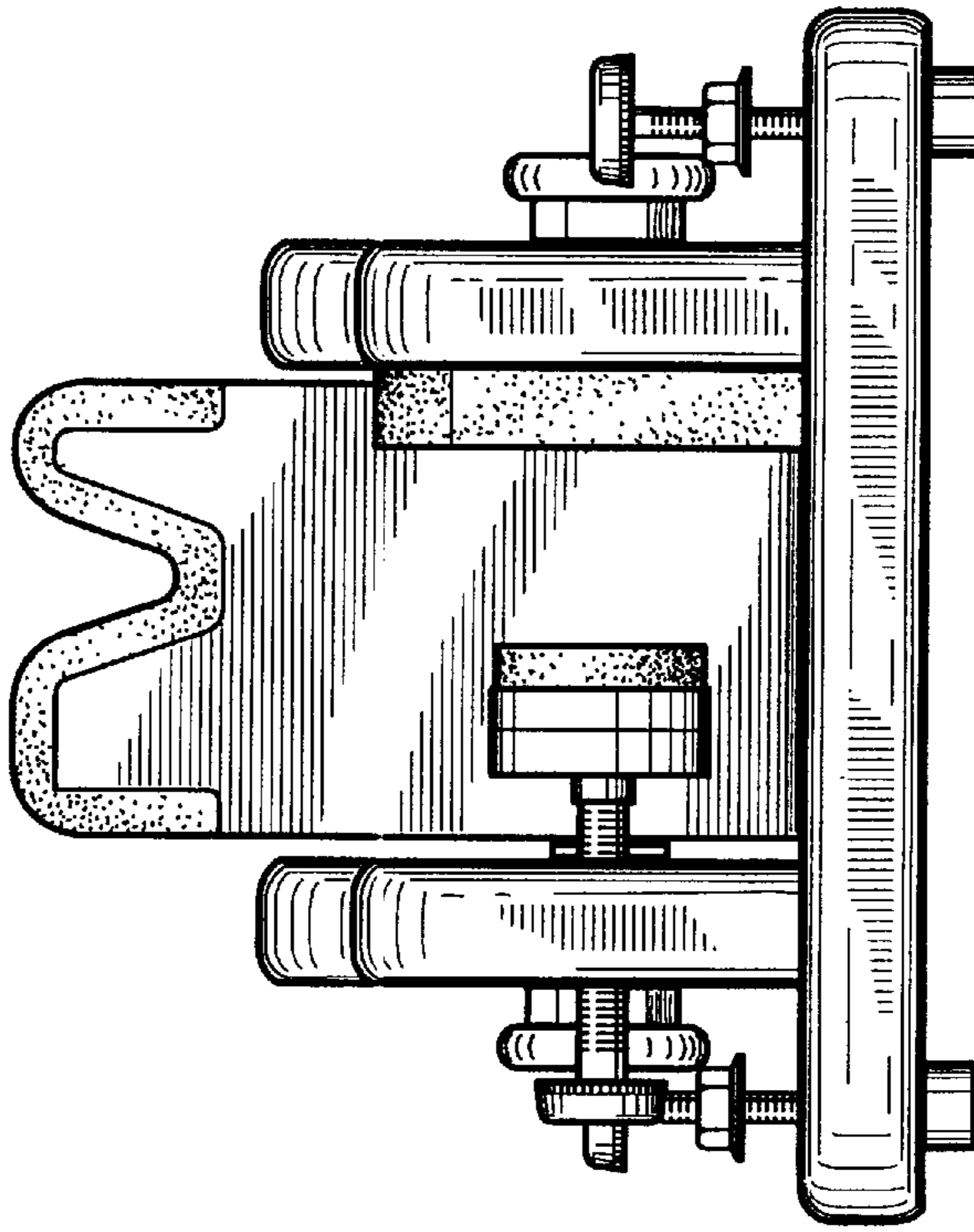


Fig. 4

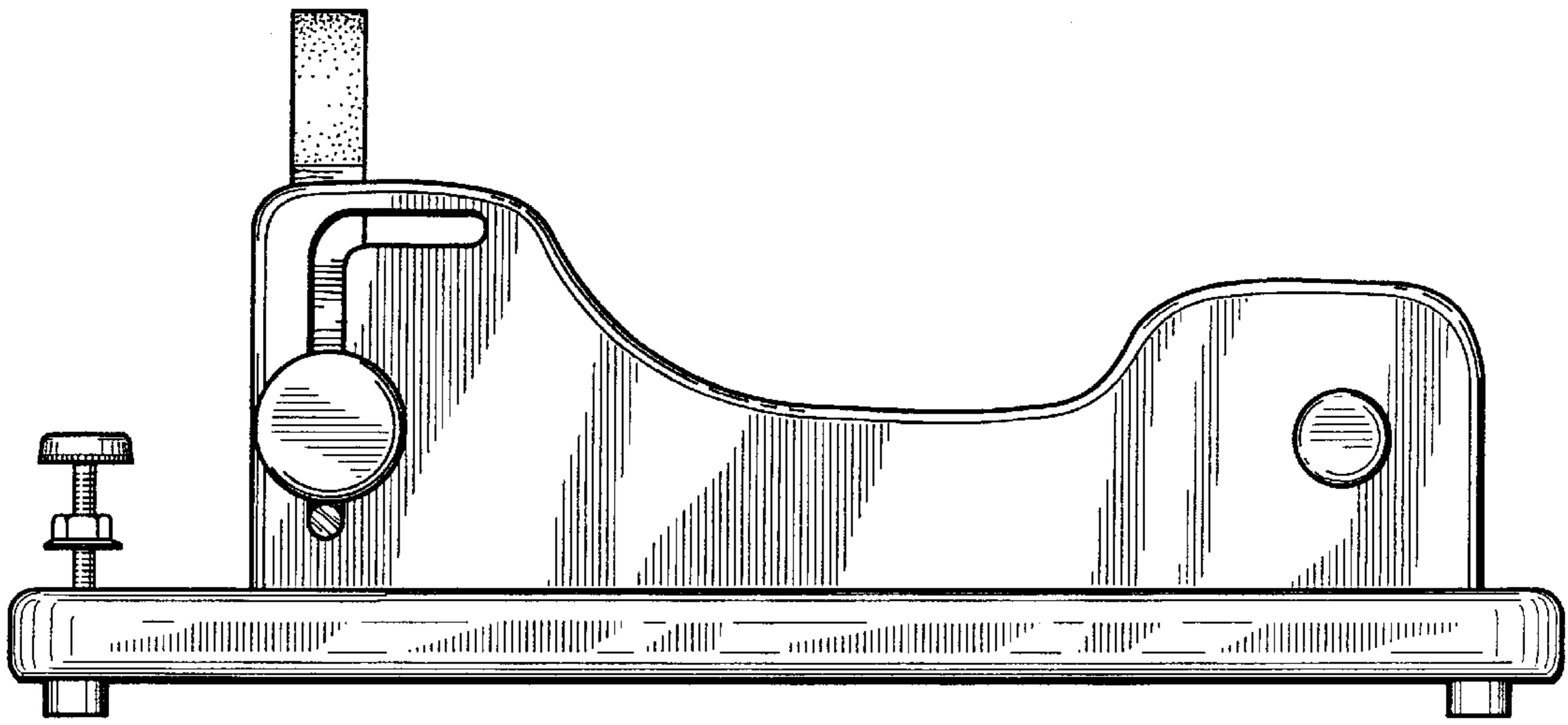


Fig. 3

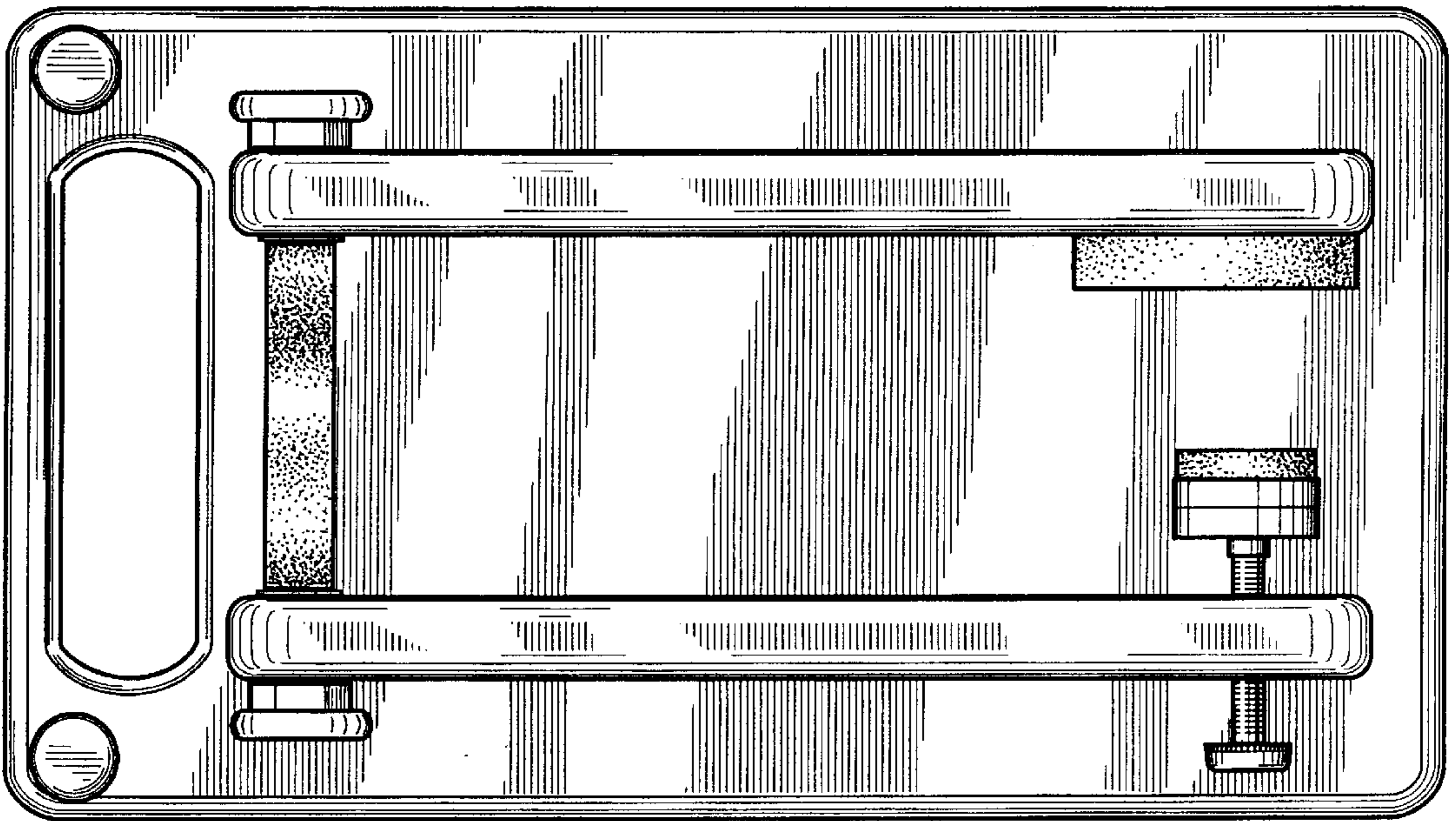


Fig. 5

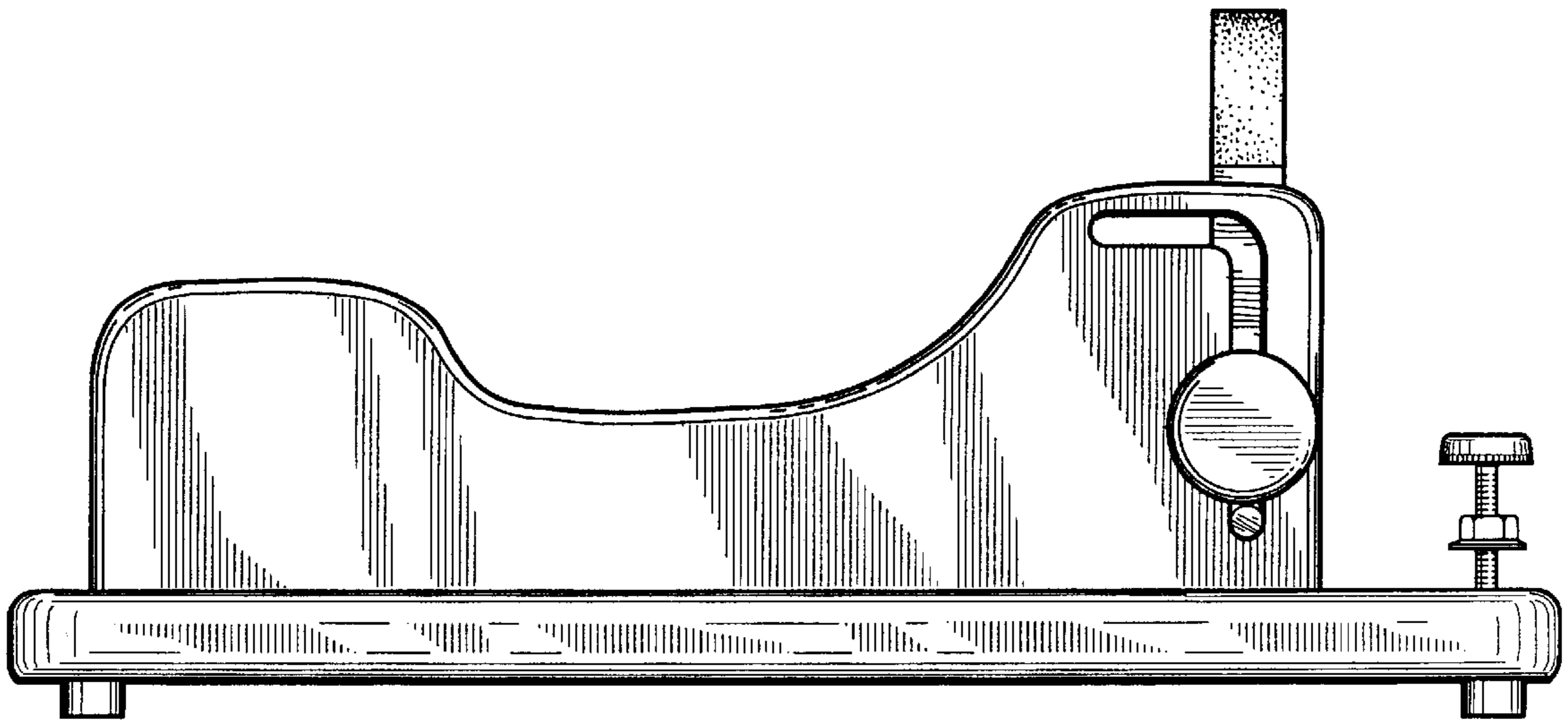


Fig. 6

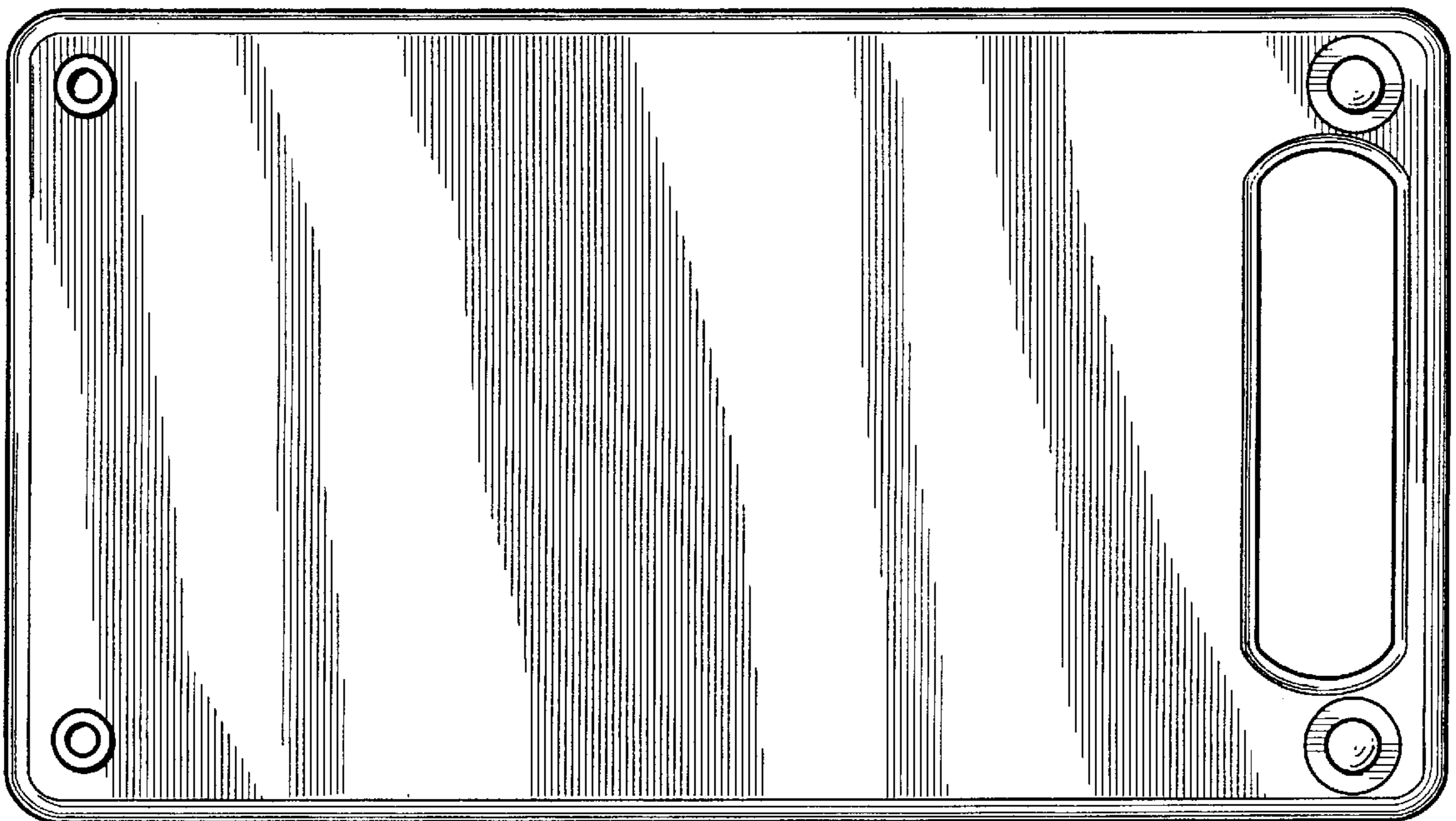


Fig. 7